



US00D730218S

(12) **United States Design Patent**
Morse et al.

(10) **Patent No.:** **US D730,218 S**
(45) **Date of Patent:** **** May 26, 2015**

(54) **ANALOG GAUGE**

(71) Applicants: **Tristan Paul Morse**, Portland, OR (US);
Kellen Hoyt Russell, Portland, OR (US)

(72) Inventors: **Tristan Paul Morse**, Portland, OR (US);
Kellen Hoyt Russell, Portland, OR (US)

(73) Assignee: **DLT, LLC**, Portland, OR (US)

(**) Term: **14 Years**

(21) Appl. No.: **29/479,271**

(22) Filed: **Jan. 14, 2014**

(51) **LOC (10) Cl.** **10-04**

(52) **U.S. Cl.**
USPC **D10/83; D10/102**

(58) **Field of Classification Search**
CPC B60K 37/00–37/06; B60K 35/00;
B60Y 2304/07–2304/078; B60Y
2310/00–2310/30; B60Y 2350/00–2350/967;
G01D 11/28; G01D 13/02–13/20; G01L
19/007; G01L 19/0084; G01L 19/0092;
G01L 19/04
USPC D10/83–85, 102
See application file for complete search history.

(56) **References Cited**

U.S. PATENT DOCUMENTS

2,806,132	A *	9/1957	De Fusco et al.	362/28
3,599,910	A *	8/1971	Wipff	248/27.1
3,603,779	A *	9/1971	Horne et al.	362/23
4,044,708	A *	8/1977	Klein	116/328
4,763,986	A *	8/1988	Sego	359/798
D337,537	S *	7/1993	Reed	D10/83
D361,043	S *	8/1995	Grilk	D10/85
D421,233	S *	2/2000	Icenogle	D10/83
D479,478	S *	9/2003	Hoshino	D10/102

6,820,990	B2 *	11/2004	Ewers et al.	362/27
D512,334	S *	12/2005	Tang	D10/85
7,124,640	B1 *	10/2006	Miller et al.	73/708
7,125,132	B2 *	10/2006	Wang	362/23
D543,476	S *	5/2007	Barmettler et al.	D10/85
D545,707	S *	7/2007	Barmettler et al.	D10/85
7,278,749	B2 *	10/2007	Sullivan	362/30
7,339,487	B2 *	3/2008	Wang	340/679
D576,897	S *	9/2008	Quimby et al.	D10/85
7,887,222	B2 *	2/2011	Fanfa et al.	362/489
7,921,721	B2 *	4/2011	Kurtz	73/714
8,350,687	B2 *	1/2013	Maruyama et al.	340/438
8,615,870	B1 *	12/2013	Neu et al.	29/758
D706,661	S *	6/2014	Boyer	D10/102

* cited by examiner

Primary Examiner — Antoine D Davis

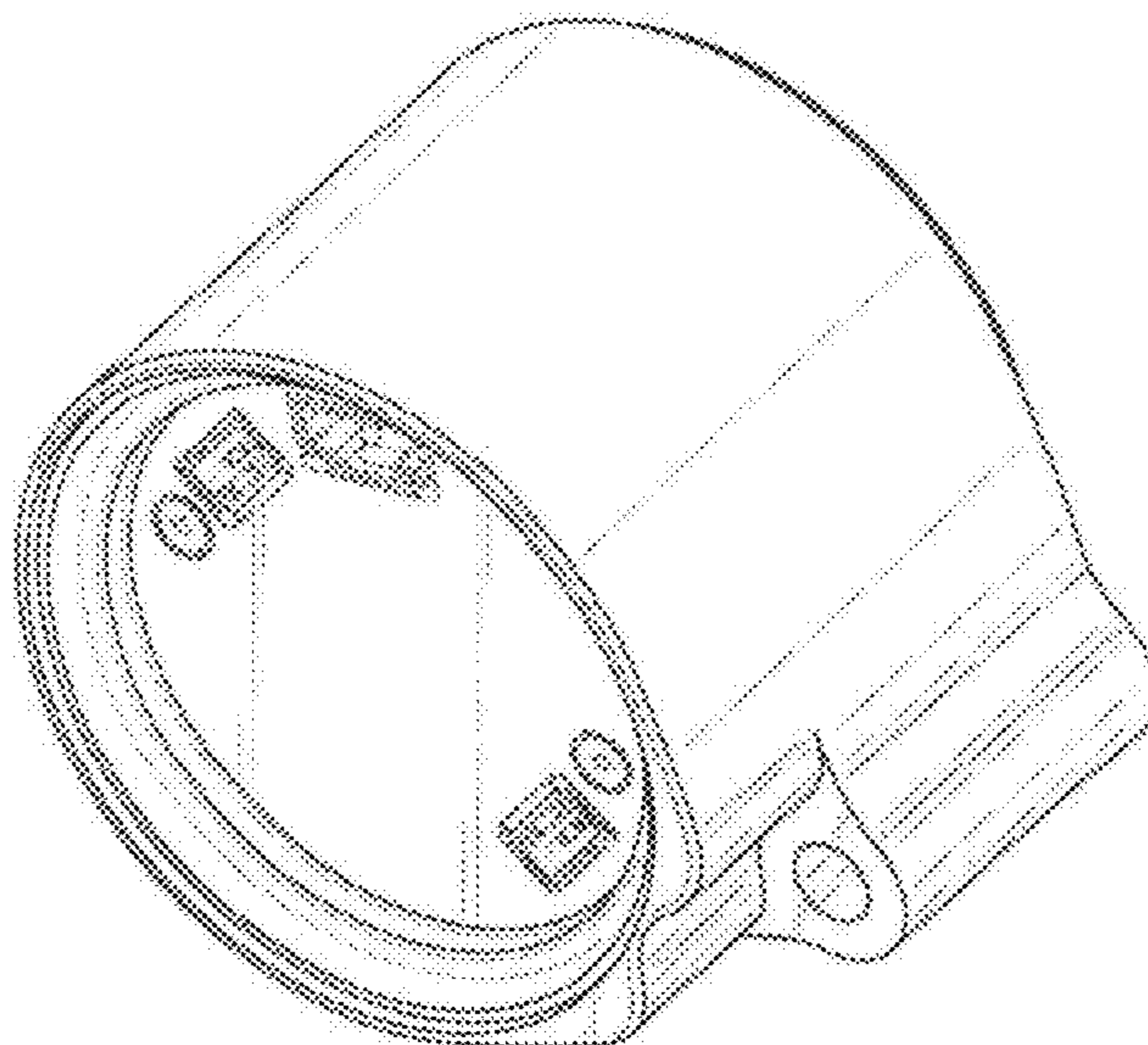
(57) **CLAIM**

We claim the ornamental design for an analog gauge, as shown and described.

DESCRIPTION

FIG. 1 is a front view of the analog gauge;
 FIG. 2 is a side view of the analog gauge;
 FIG. 3 is a side view of the analog gauge.
 FIG. 4 is a front rotated view of the analog gauge.
 FIG. 5 is a rotated side rear view of the analog gauge. The broken lines showing environment in this figure are included for illustrative purposes only and form no part of the claimed design.
 FIG. 6 is a rear view of the analog gauge. The broken lines showing environment in this figure are included for illustrative purposes only and form no part of the claimed design;
 and,
 FIG. 7 is a view of the analog gauge adjacent to the steering wheel. The broken lines showing environment in this figure are included for illustrative purposes only and form no part of the claimed design.

1 Claim, 7 Drawing Sheets



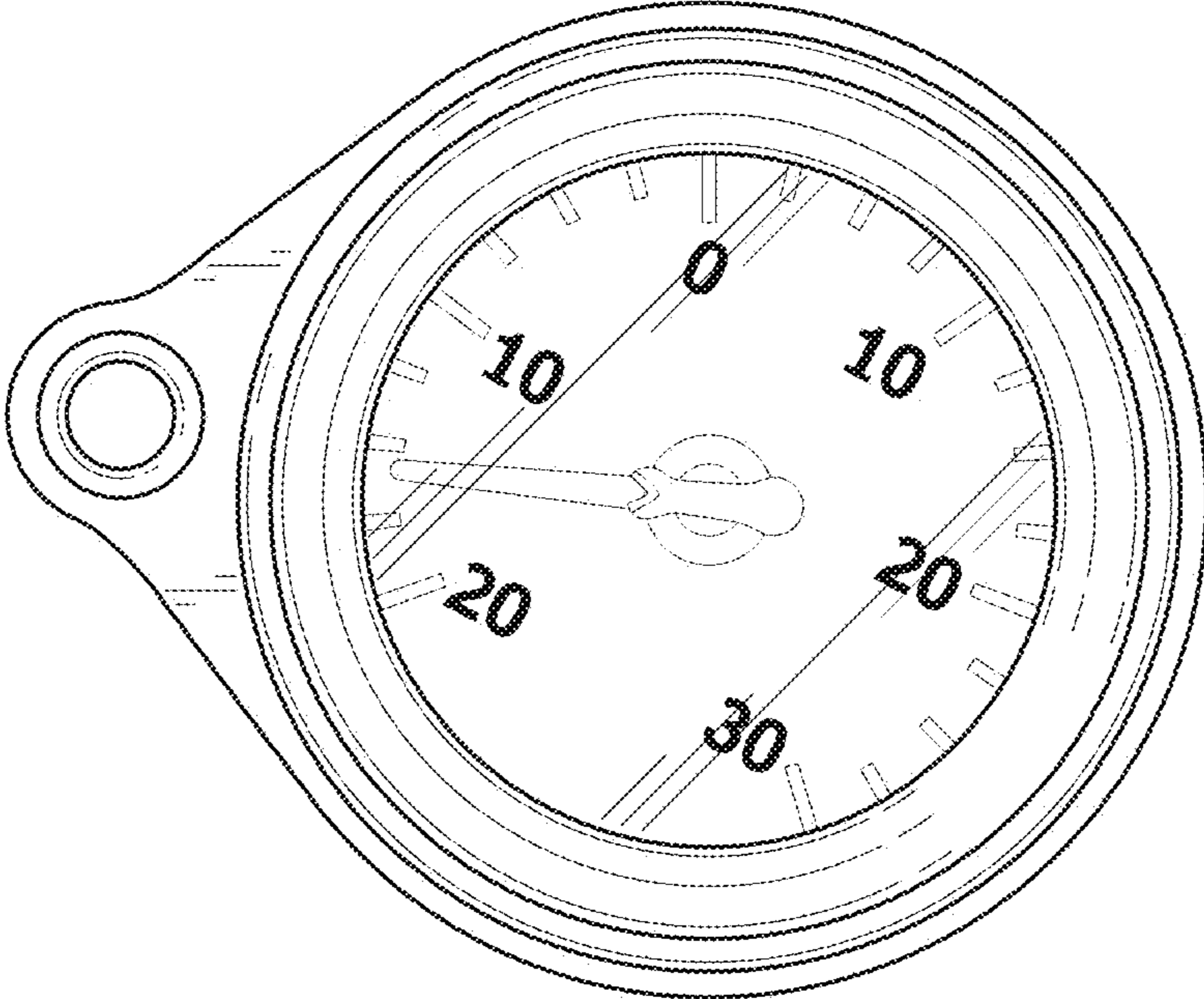


FIG. 1

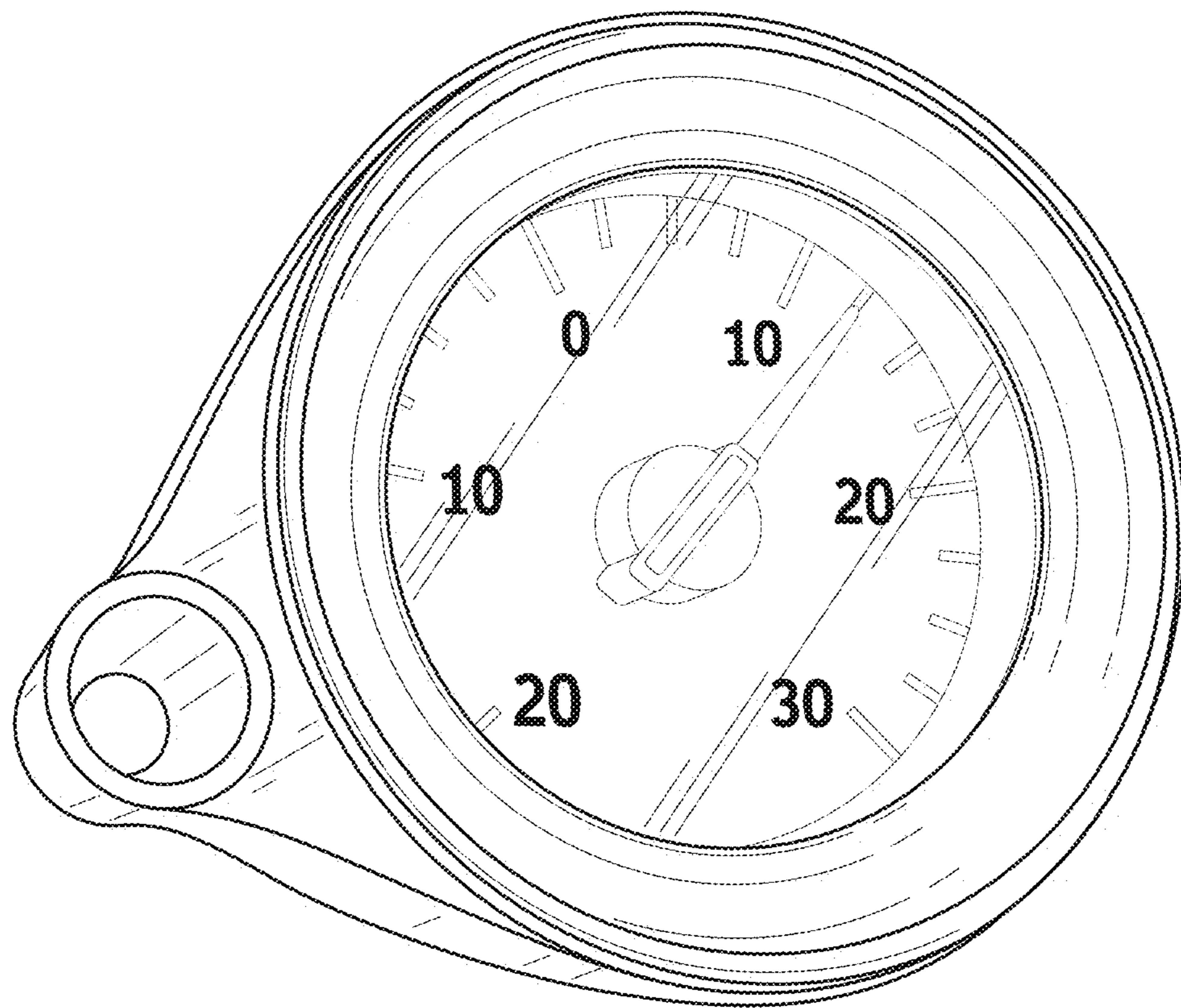


FIG. 2

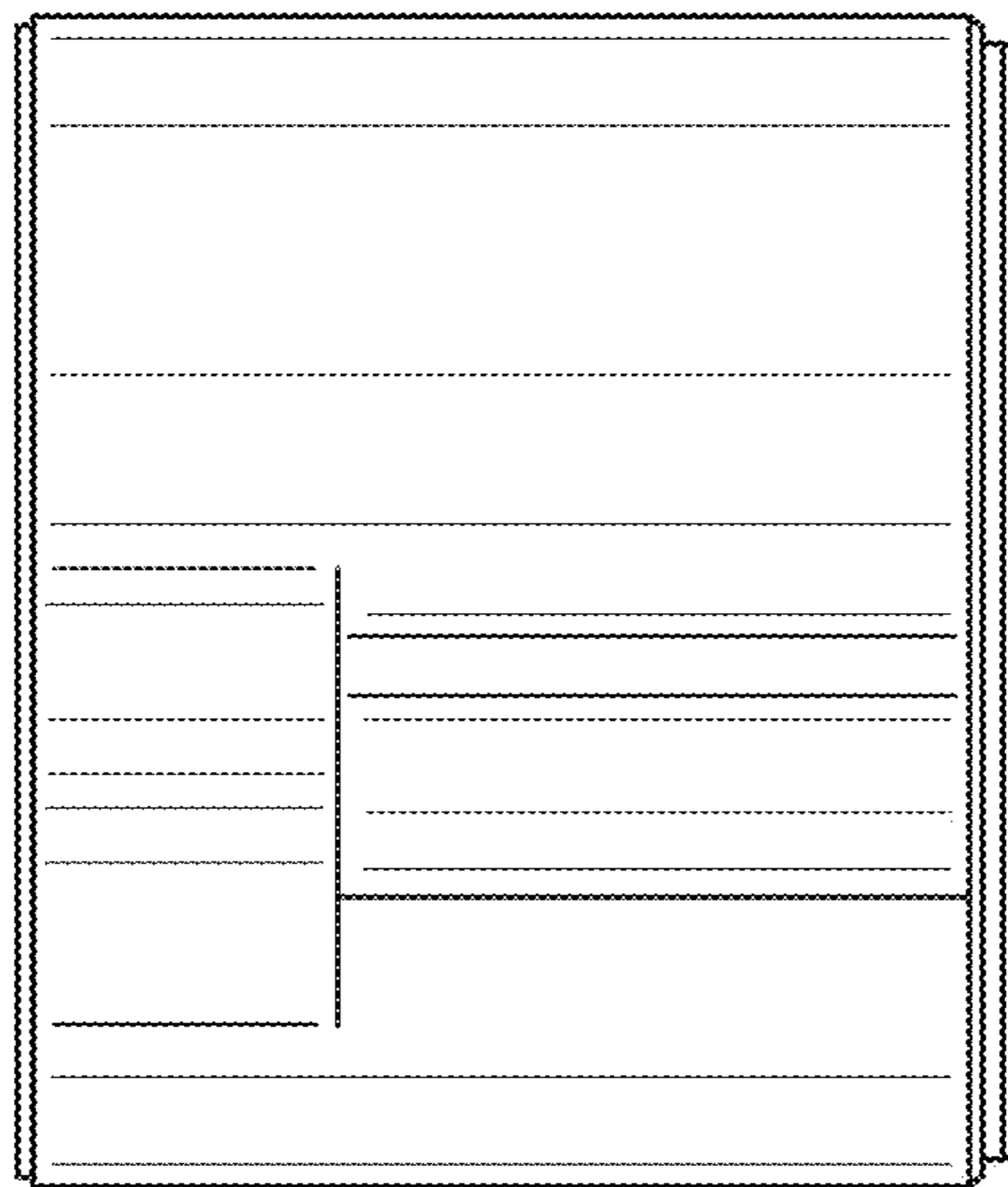


FIG. 3

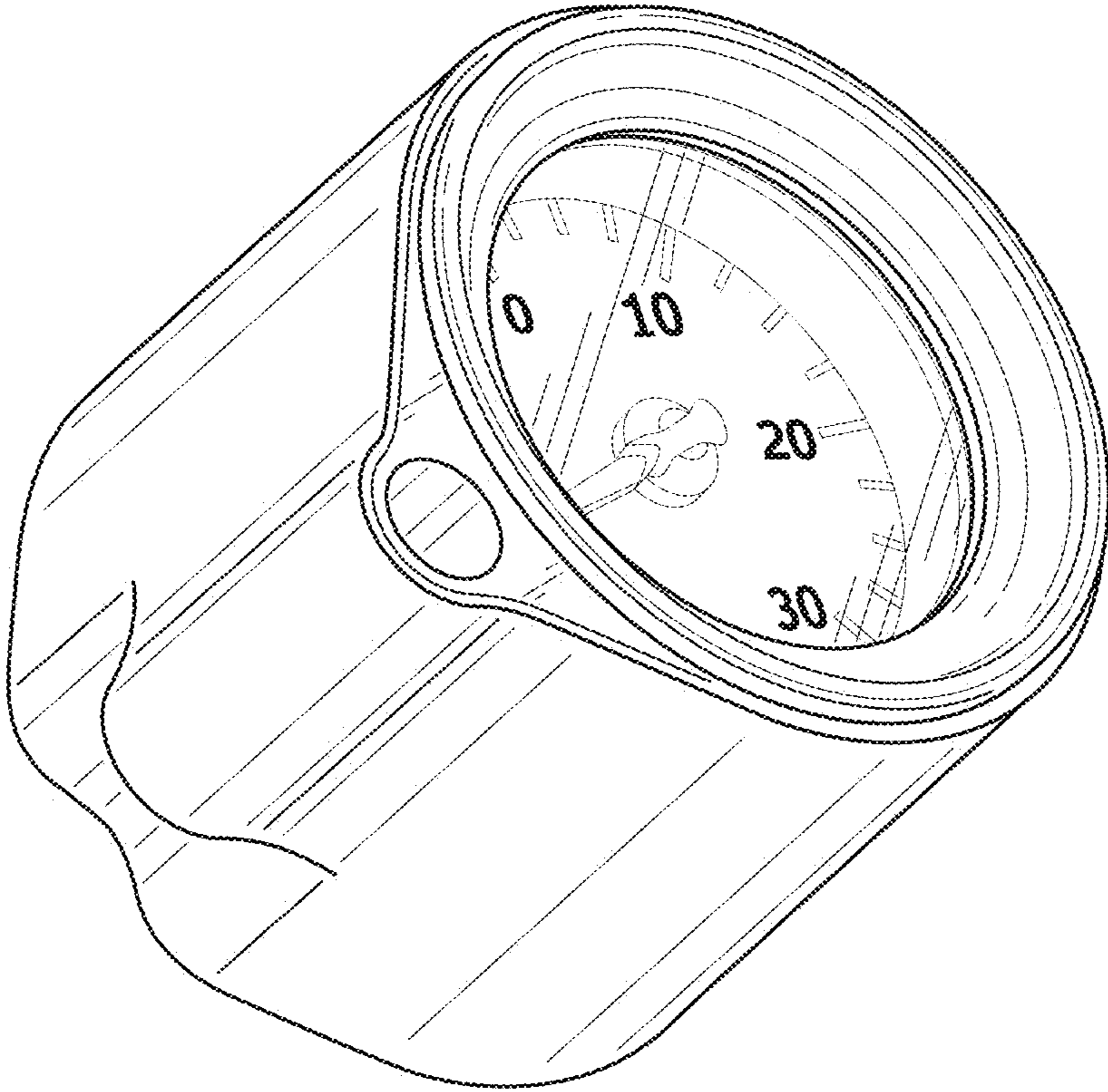


FIG. 4

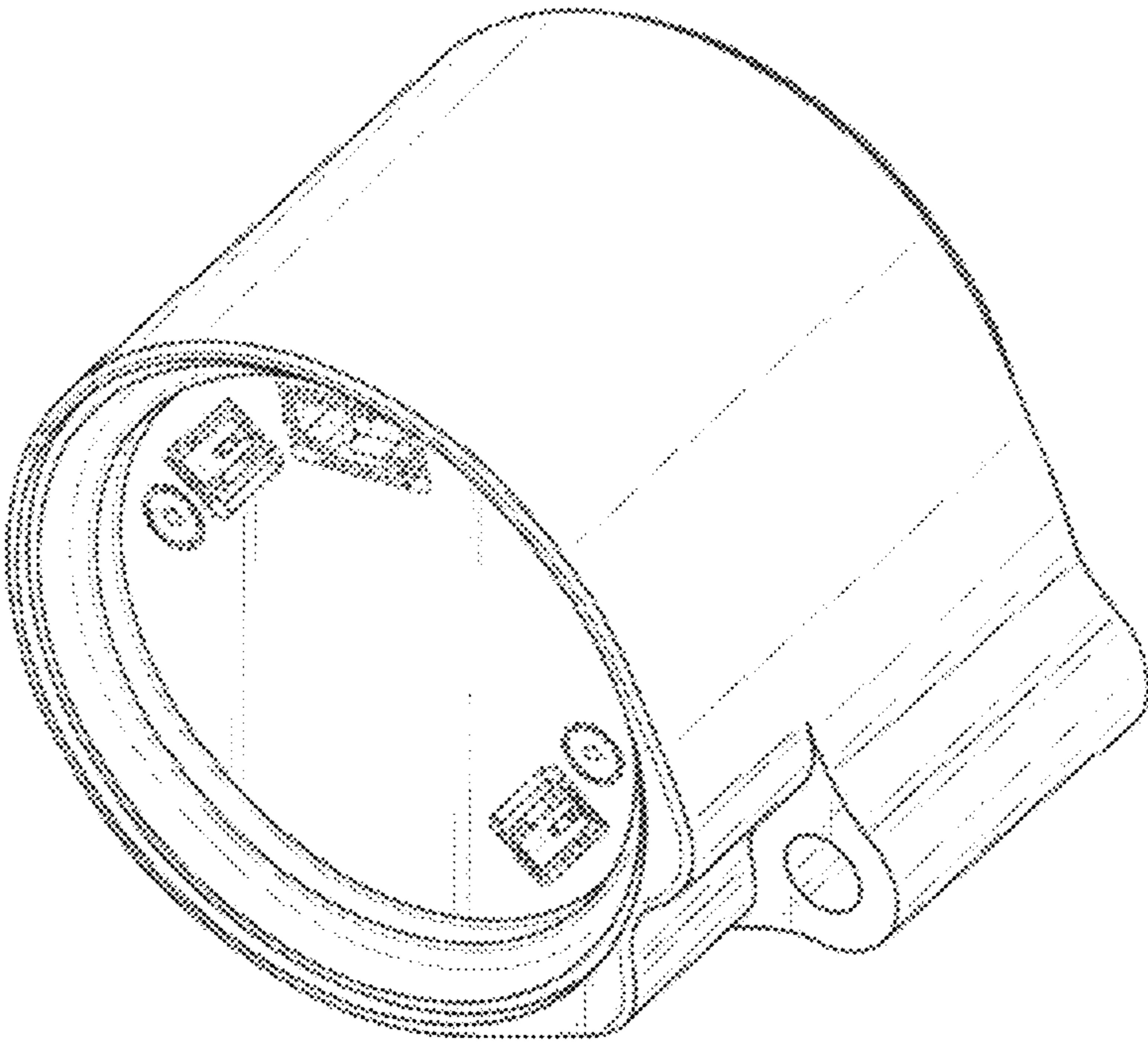


FIG. 5

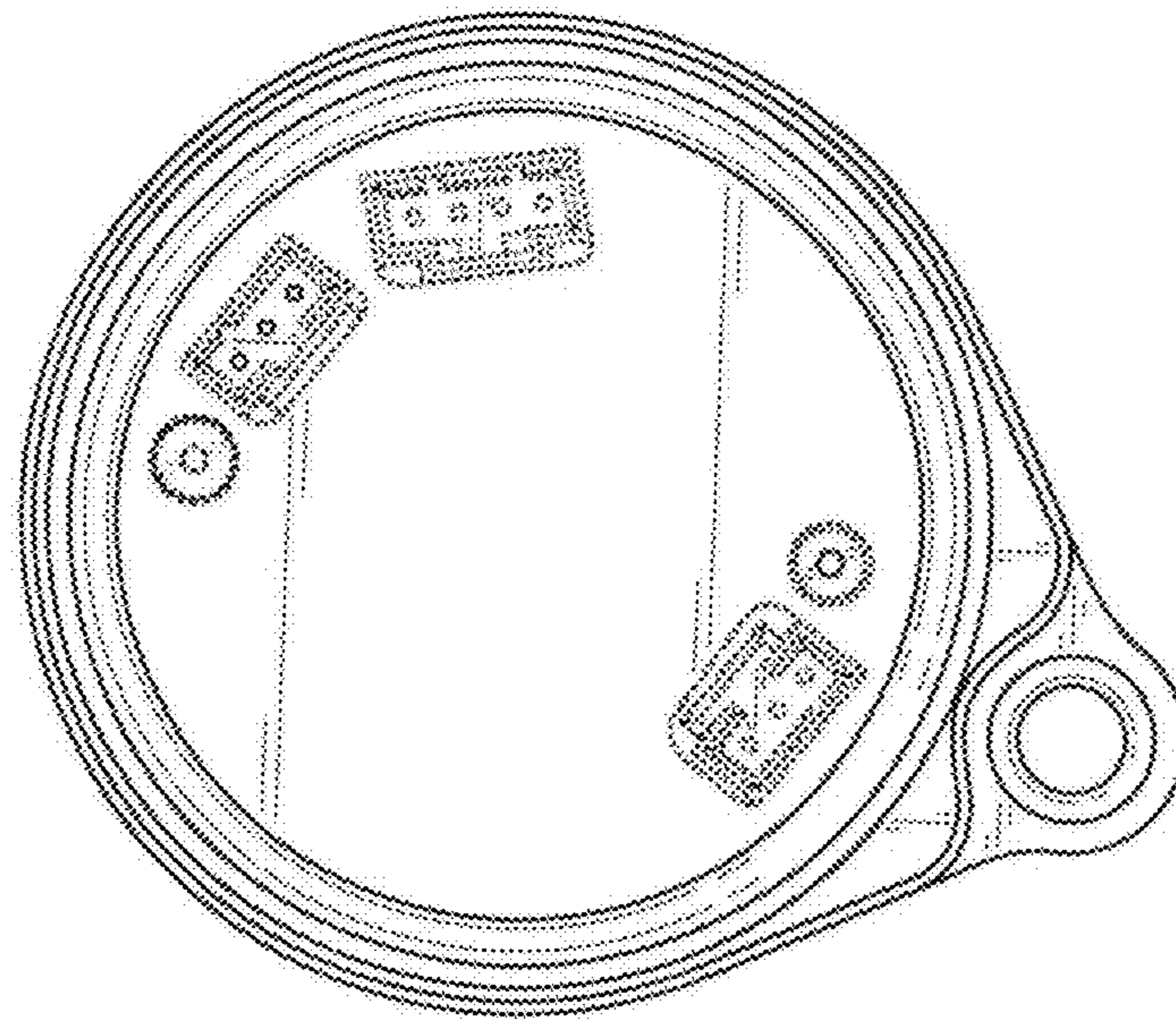


FIG. 6

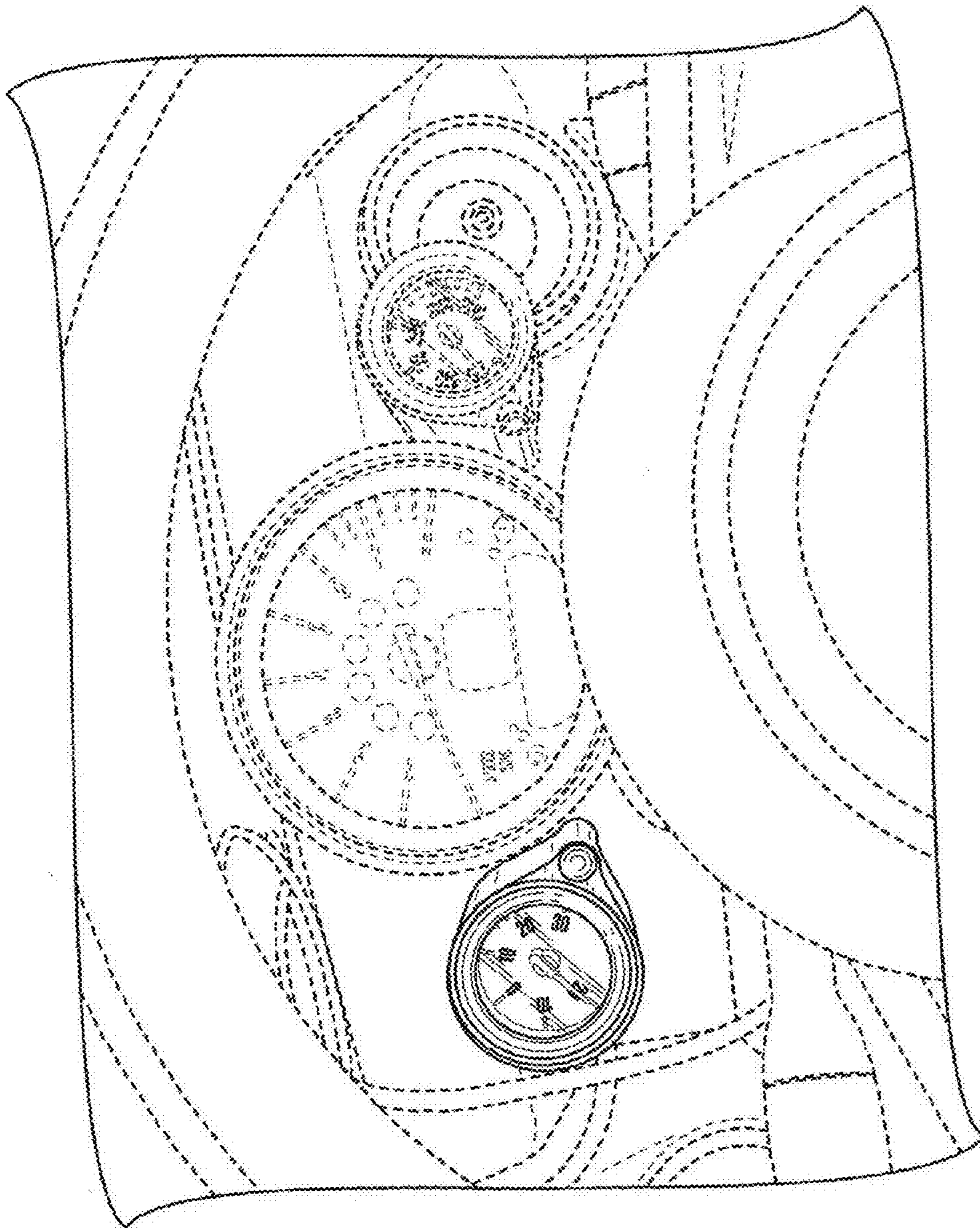


FIG. 7