



US00D730217S

(12) **United States Design Patent**
Yokino et al.

(10) **Patent No.:** **US D730,217 S**
(45) **Date of Patent:** **** May 26, 2015**

(54) **SPECTROMETER**

- (71) Applicant: **HAMAMATSU PHOTONICS K.K.**,
Hamamatsu-shi, Shizuoka (JP)
- (72) Inventors: **Takafumi Yokino**, Hamamatsu (JP);
Katsumi Shibayama, Hamamatsu (JP);
Katsuhiko Kato, Hamamatsu (JP)
- (73) Assignee: **HAMAMATSU PHOTONICS K.K.**,
Hamamatsu-shi, Shizuoka (JP)

- (**) Term: **14 Years**
- (21) Appl. No.: **29/498,398**
- (22) Filed: **Aug. 4, 2014**

(30) **Foreign Application Priority Data**

Feb. 4, 2014 (JP) 2014-002258

(51) **LOC (10) Cl.** **10-81**

(52) **U.S. Cl.**
USPC **D10/81**

(58) **Field of Classification Search**
CPC G01J 3/00; G01J 2003/003–2003/006;
G01J 3/02–3/0278; G01J 2003/0281; G01J
3/0283–3/04; G01J 2003/042–2003/047;
G01J 3/06; G01J 2003/061–2003/069; G01J
3/08–3/10; G01J 2003/10
USPC D10/75, 78, 81
See application file for complete search history.

(56) **References Cited**

U.S. PATENT DOCUMENTS

D377,936	S *	2/1997	Imahori	D10/75
5,633,563	A *	5/1997	Ikedo et al.	313/614
6,644,835	B2 *	11/2003	Sei et al.	362/373
6,777,683	B2 *	8/2004	Kojima et al.	250/339.01

FOREIGN PATENT DOCUMENTS

CN	301144166	2/2010
CN	301197322	5/2010
JP	1369923	9/2009

(Continued)

OTHER PUBLICATIONS

Hamamatsu Photonics K.K., “Website of Hamamatsu Photonics K.K.”, Nov. 5, 2013.

(Continued)

Primary Examiner — Antoine D Davis

(74) *Attorney, Agent, or Firm* — Drinker Biddle & Reath LLP

(57) **CLAIM**

The ornamental design for a spectrometer, as shown and described.

DESCRIPTION

FIG. 1 is a front view of a spectrometer of the first embodiment of our new design.

FIG. 2 is a rear view of the spectrometer of FIG. 1.

FIG. 3 is a top plan view of the spectrometer of FIG. 1.

FIG. 4 is a bottom view of the spectrometer of FIG. 1.

FIG. 5 is a right side view of the spectrometer of FIG. 1.

FIG. 6 is a left side view of the spectrometer of FIG. 1.

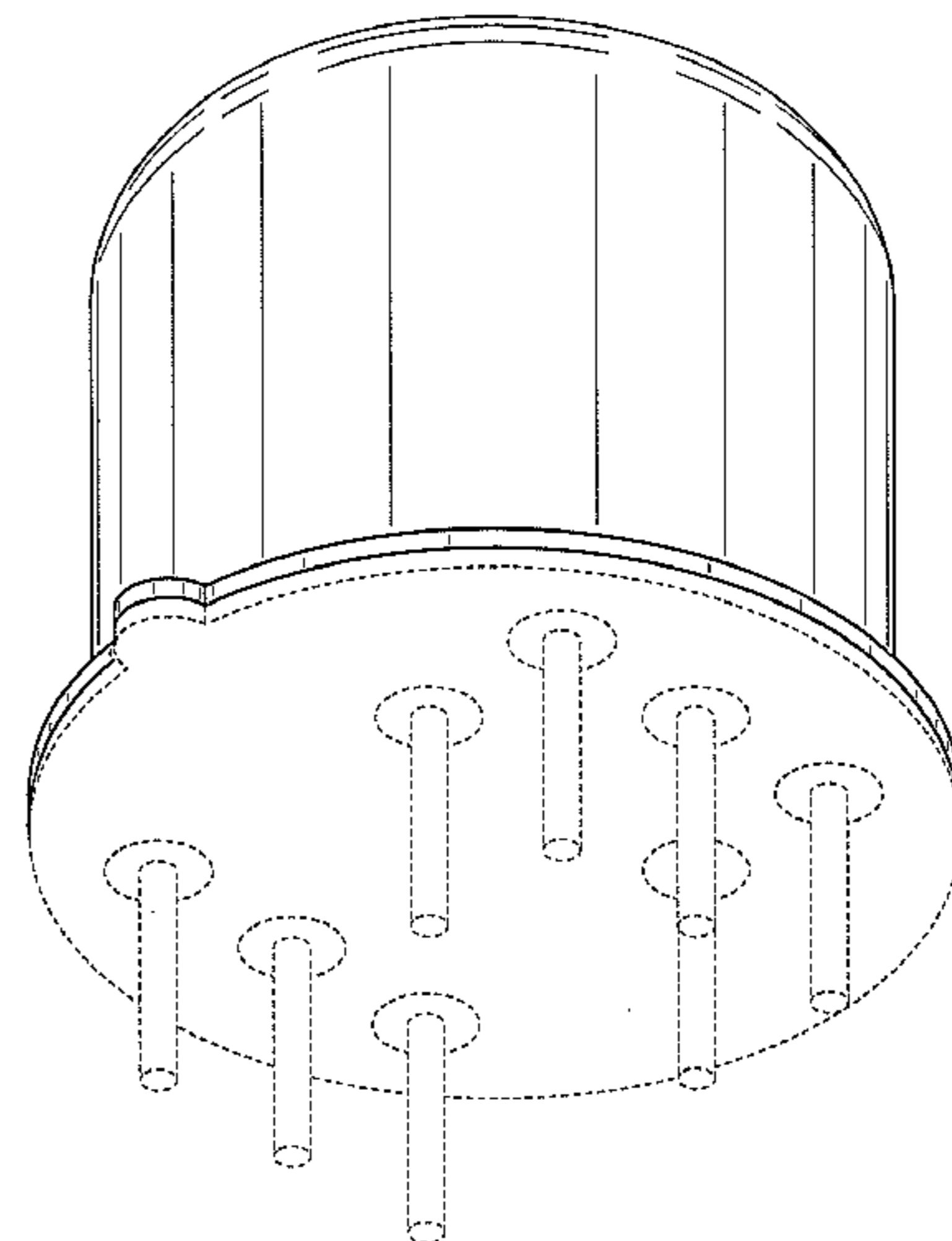
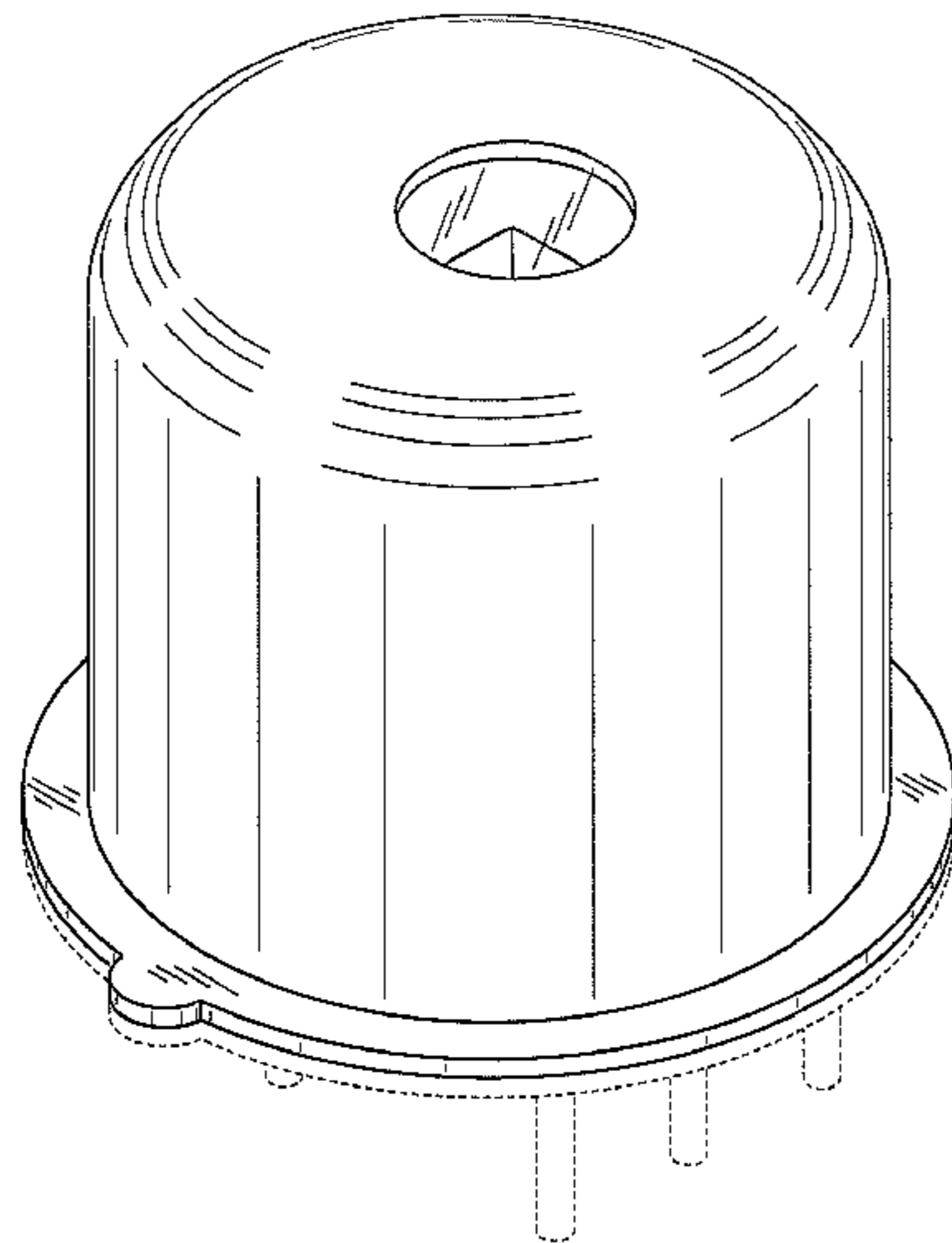
FIG. 7 is a top perspective of the spectrometer of FIG. 1.

FIG. 8 is a bottom perspective of the spectrometer of FIG. 1; and,

FIG. 9 is a reference view of the spectrometer of FIG. 1 in use, wherein the spectrometer is connected to a printed circuit board in a printer.

The features shown in dotted lines depict environmental subject matter only and form no part of the claimed design.

1 Claim, 9 Drawing Sheets



(56)

References Cited

OTHER PUBLICATIONS

FOREIGN PATENT DOCUMENTS

JP	2013-029325 A	2/2013
JP	2013-029327 A	2/2013
TW	200916742	4/2009
TW	200938817	9/2009
WO	WO-2008/149939 A1	12/2008

Hamamatsu Photonics K.K., "News release from Hamamatsu Photonics K.K.", Nov. 5, 2013.

* cited by examiner

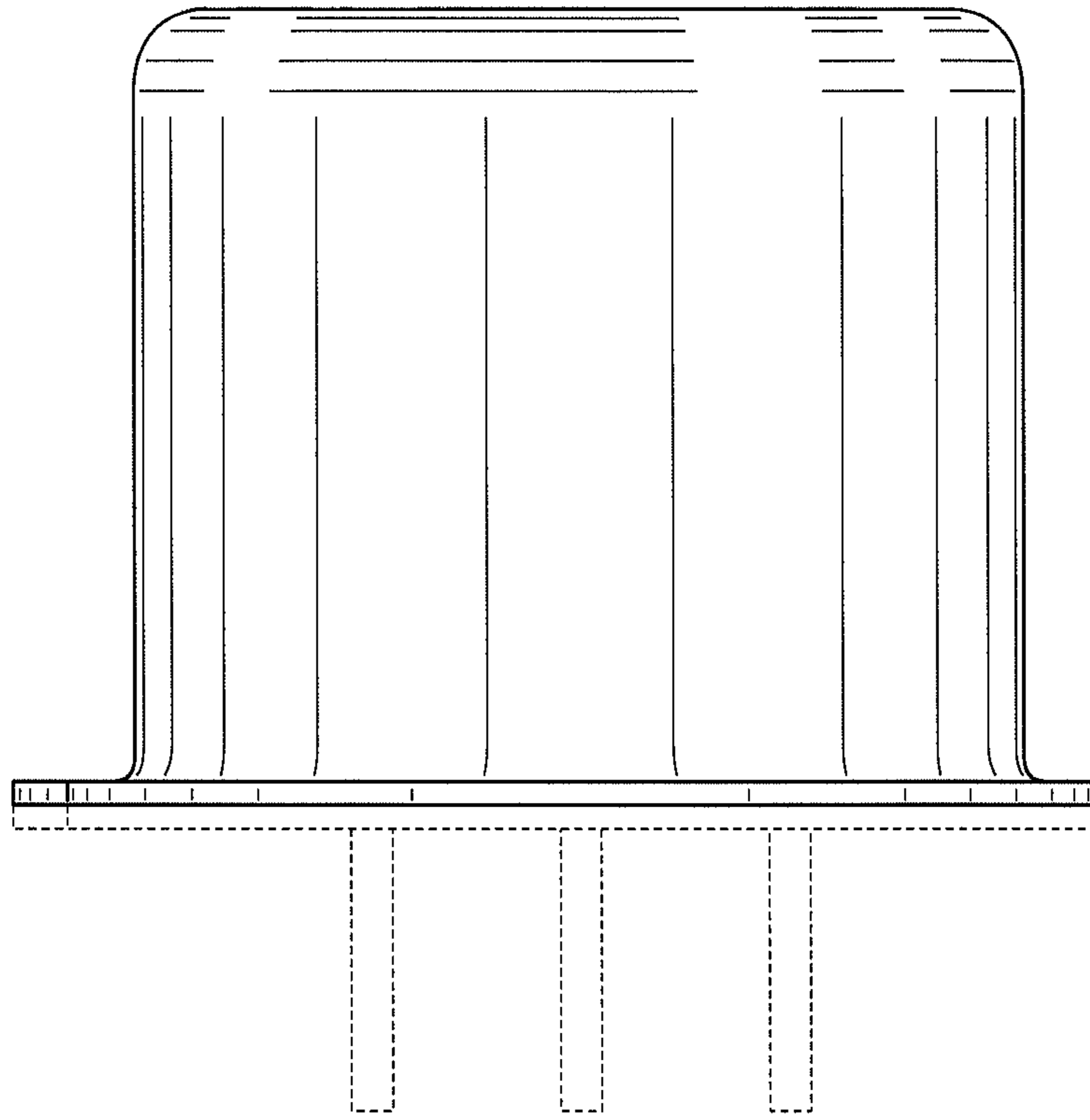


FIG. 1

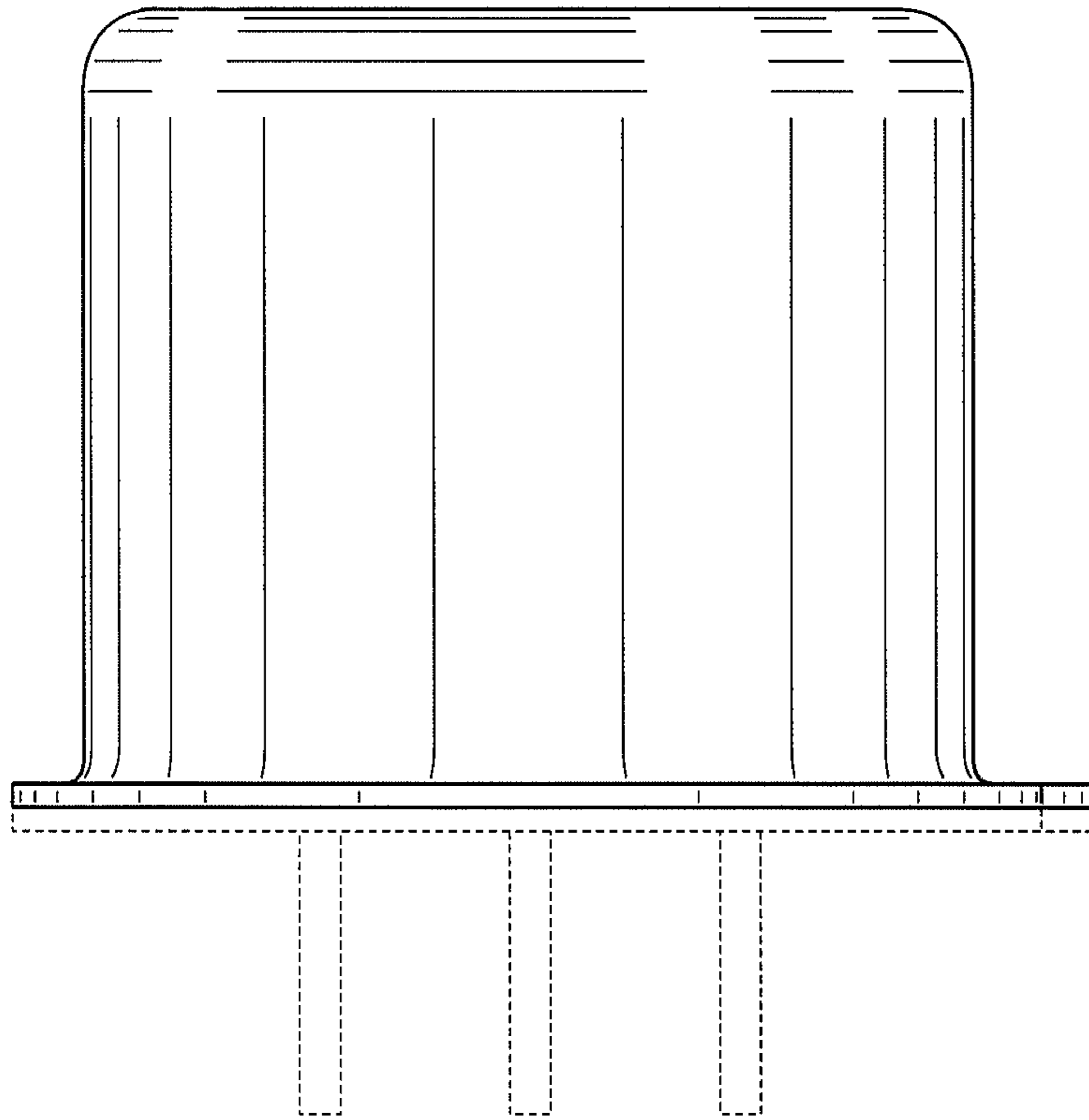


FIG. 2

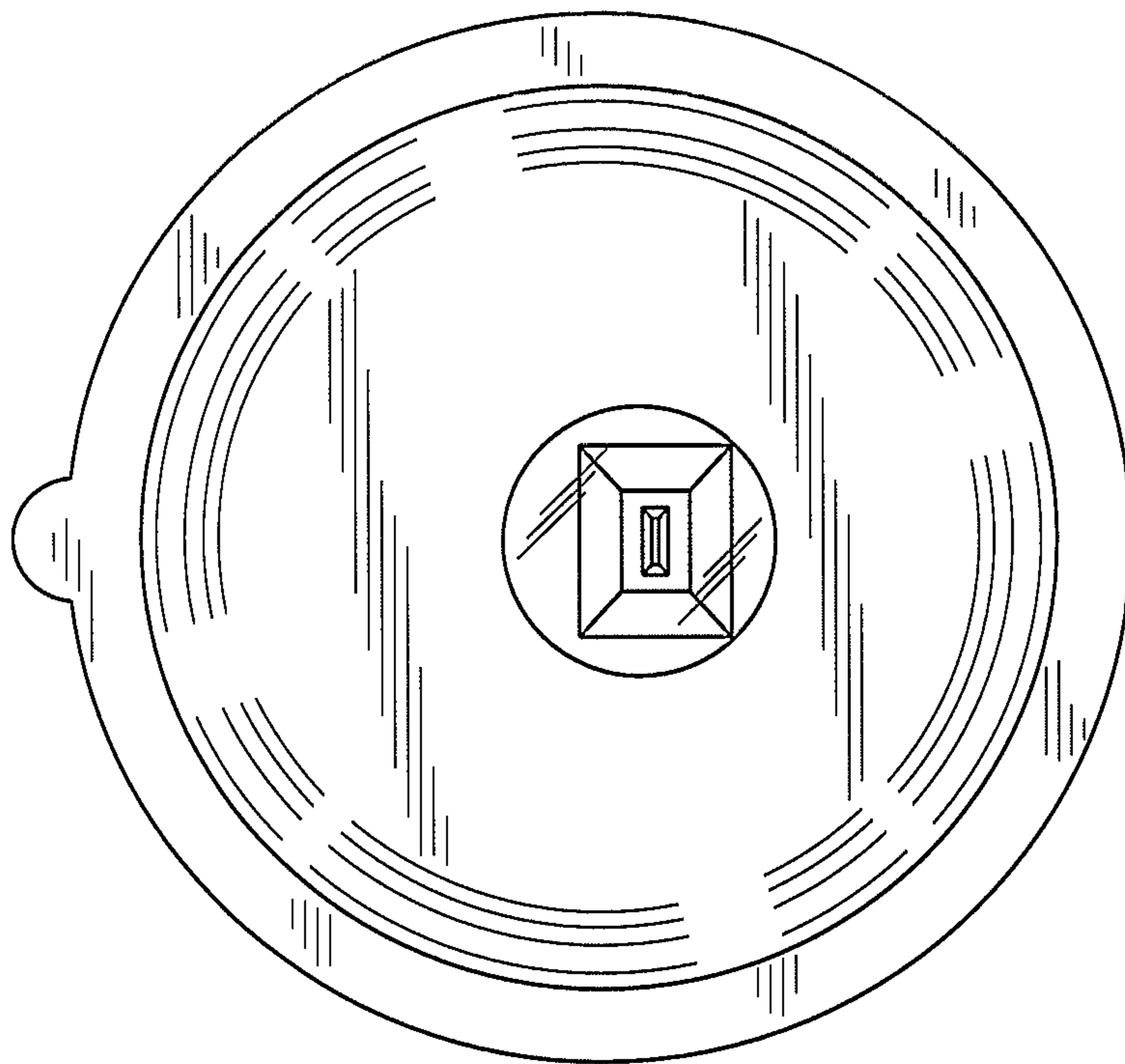


FIG. 3

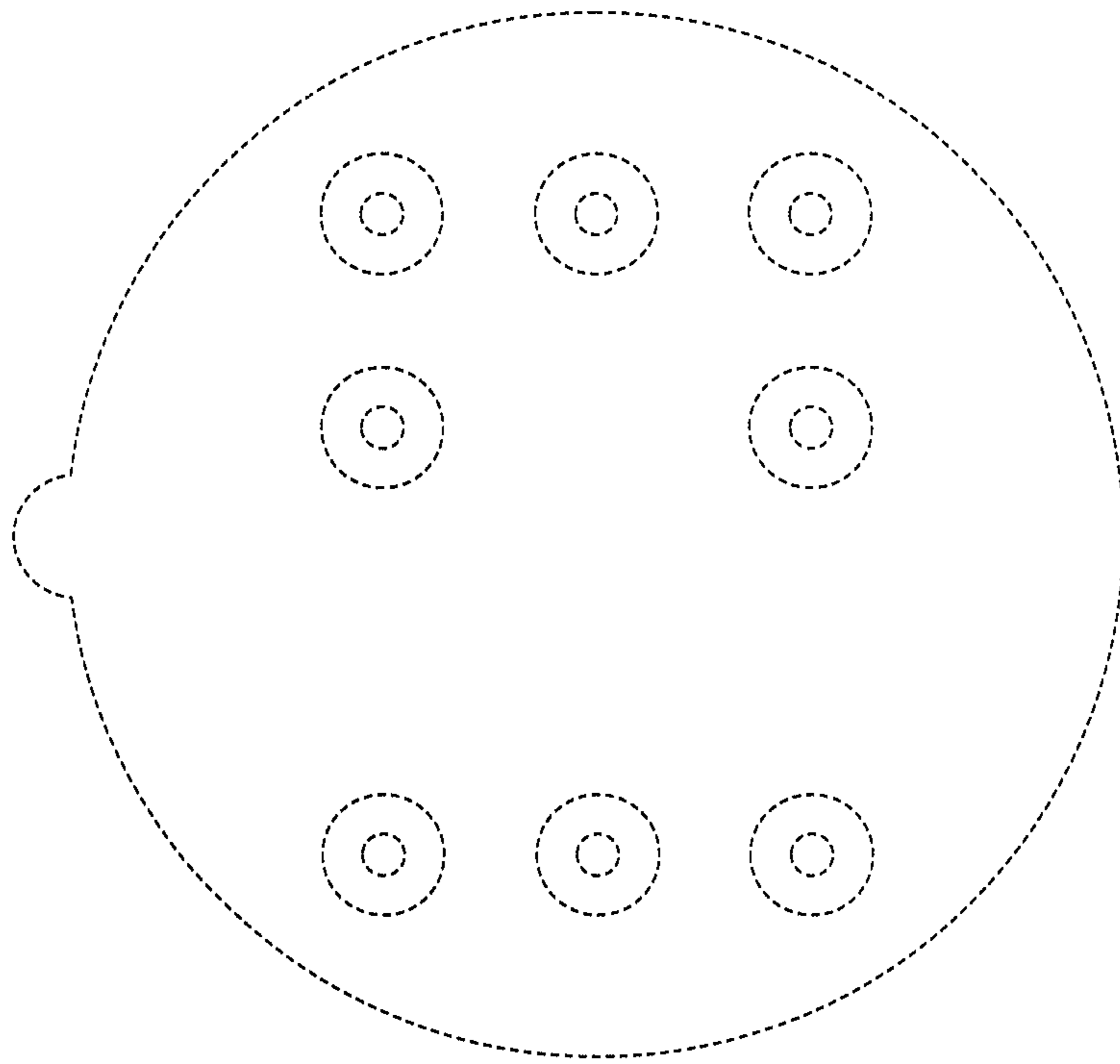


FIG. 4

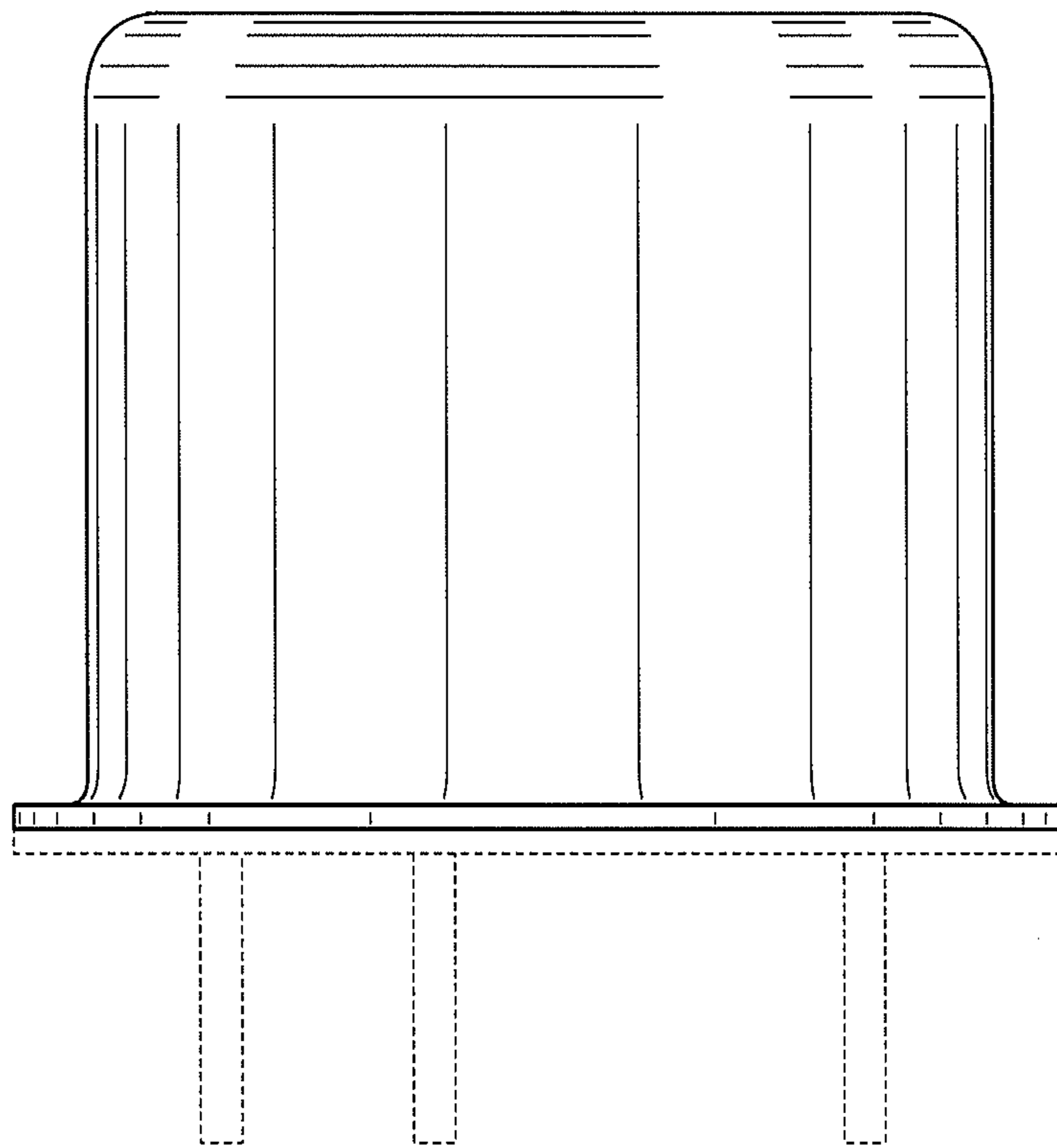


FIG. 5

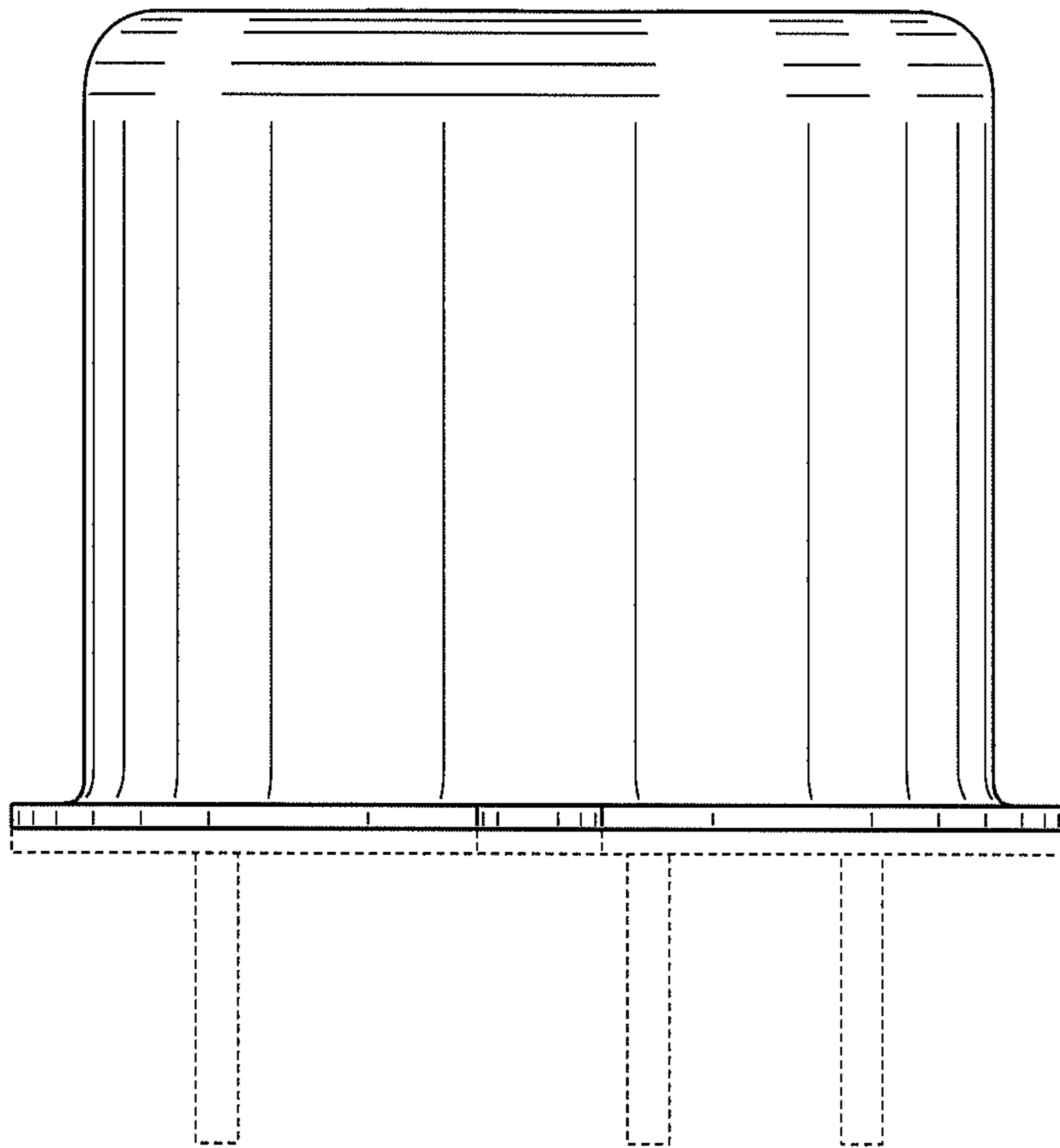


FIG. 6

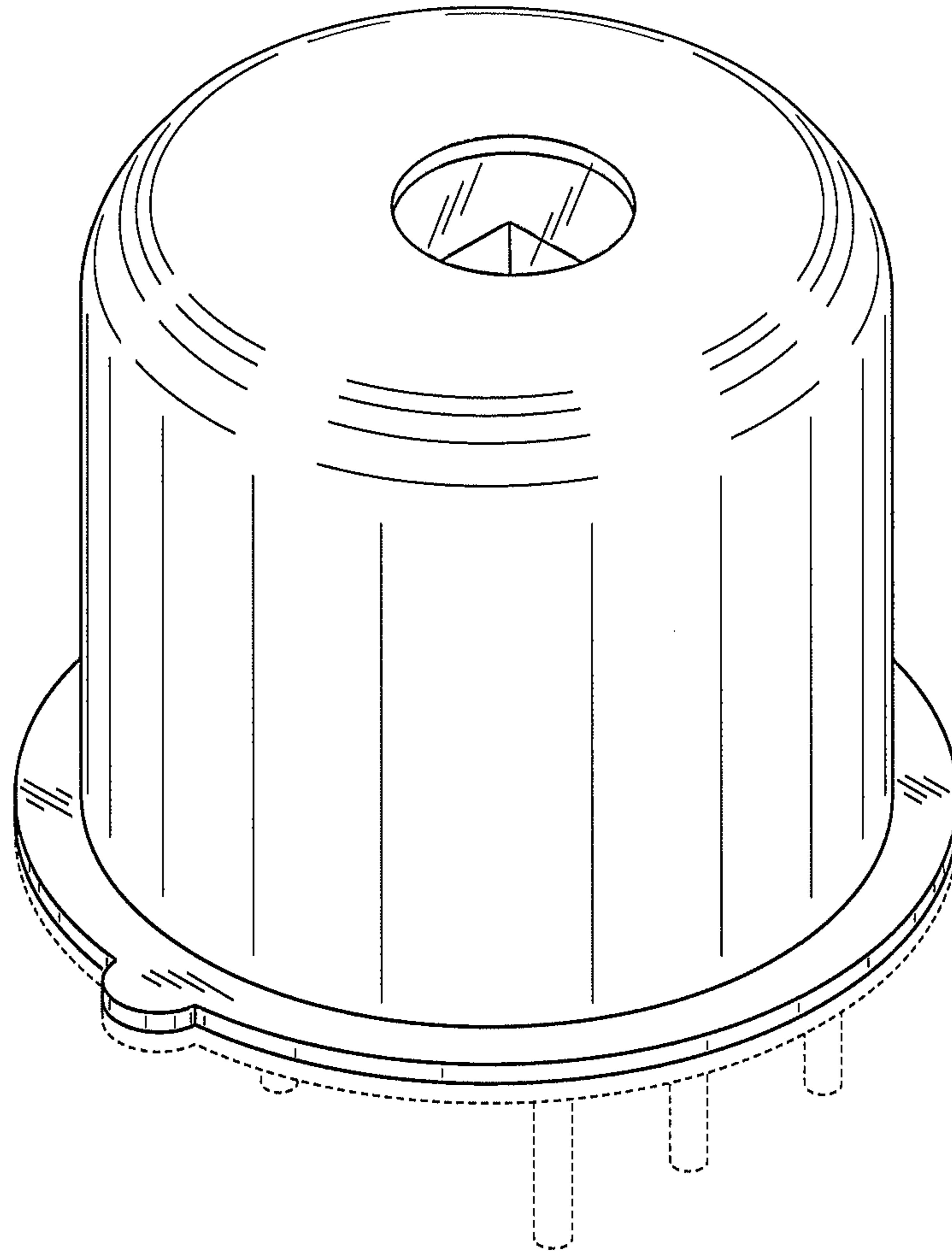


FIG. 7

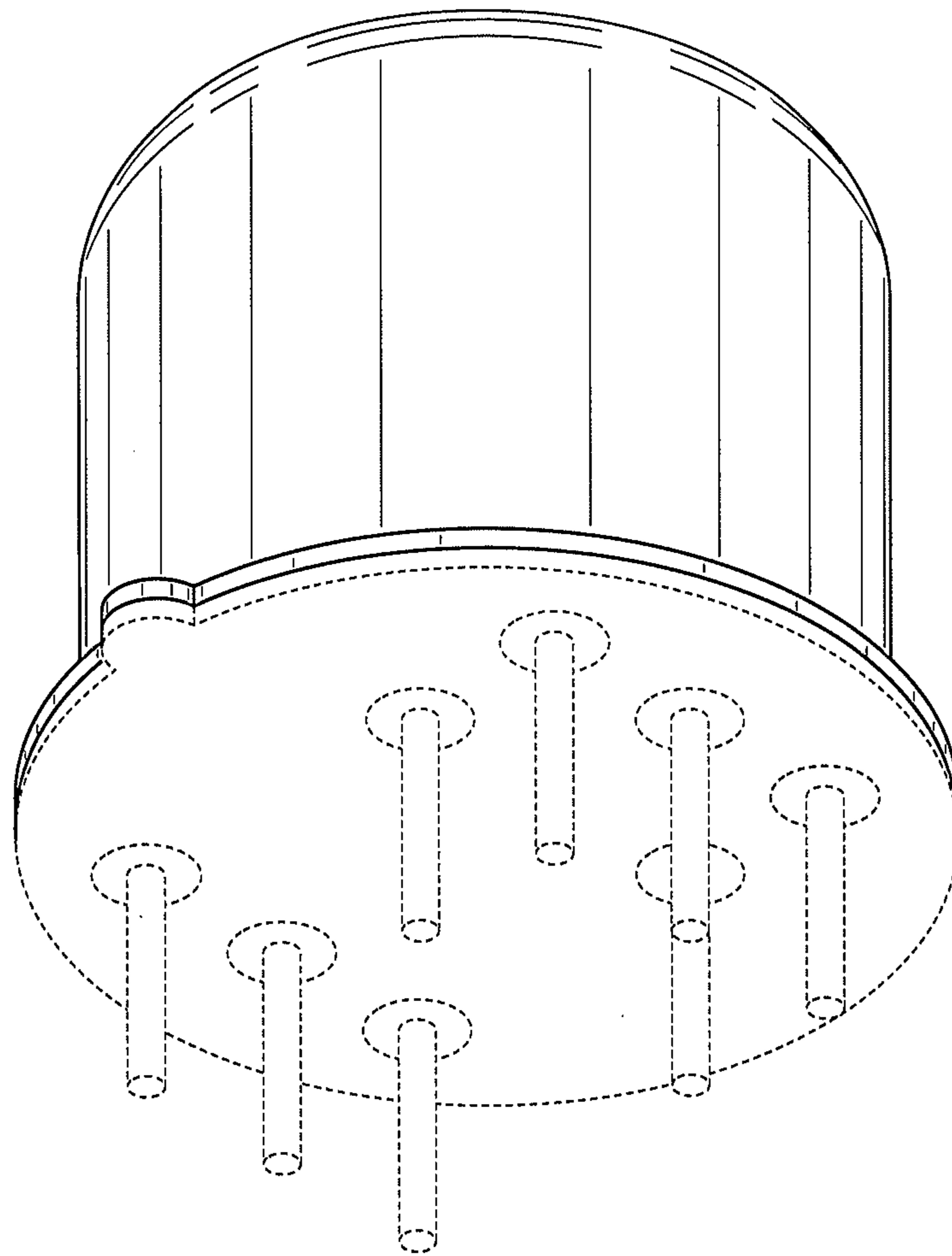


FIG. 8

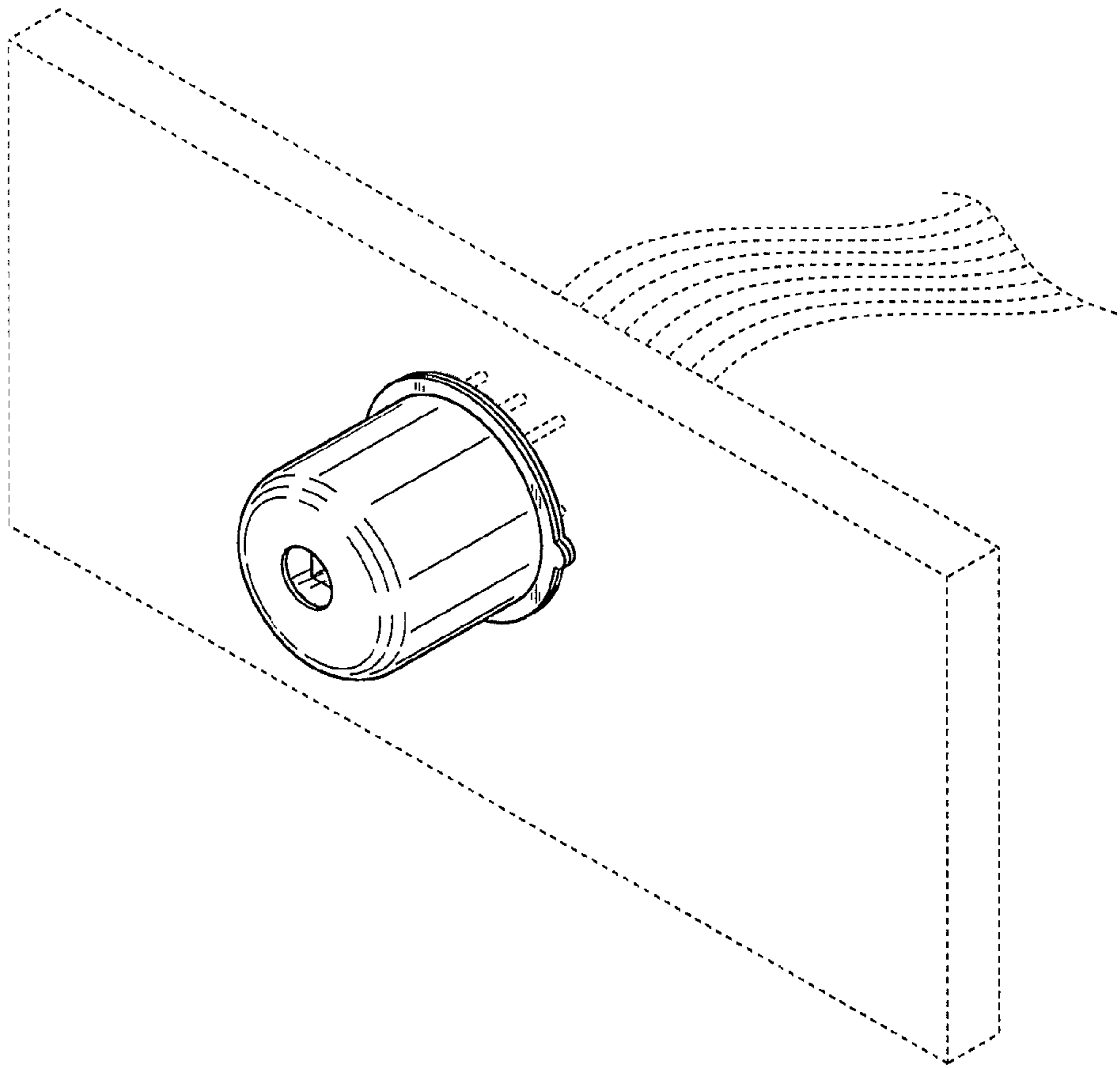


FIG. 9