



US00D730216S

(12) **United States Design Patent**
McLaughlin et al.

(10) **Patent No.:** **US D730,216 S**

(45) **Date of Patent:** **** May 26, 2015**

(54) **PORTABLE ANALYTICAL INSTRUMENT**

(71) Applicant: **Thermo Scientific Portable Analytical Instruments Inc.**, Tewksbury, MA (US)

(72) Inventors: **Stephen McLaughlin**, Andover, MA (US); **Neil Hagerty**, Westford, MA (US); **Aaron Abroff**, Acton, MA (US)

(73) Assignee: **Thermo Scientific Portable Analytical Instruments Inc.**, Tewksbury, MA (US)

(**) Term: **14 Years**

(21) Appl. No.: **29/489,754**

(22) Filed: **May 2, 2014**

(51) **LOC (10) Cl.** **10-04**

(52) **U.S. Cl.**
USPC **D10/81; D10/78; D24/216**

(58) **Field of Classification Search**
CPC **G01N 29/04**
USPC **D10/78, 81; D24/107, 186, 232; 324/72.5, 110, 114, 115, 149, 151 A, 324/158 F, 156; 340/653, 660; 439/482; 422/63-83, 99, 100, 58, 61, 82.05; 423/43; 436/164, 166, 169, 605; 356/246**

See application file for complete search history.

(56) **References Cited**

U.S. PATENT DOCUMENTS

D298,110	S	*	10/1988	Kawano	D10/46
5,281,395	A	*	1/1994	Markart et al.	422/82.05
D510,711	S	*	10/2005	Syme et al.	D10/81
D651,925	S	*	1/2012	Faulkner et al.	D10/81
D669,375	S	*	10/2012	Kao et al.	D10/81
D682,718	S	*	5/2013	Azuma	D10/70
D684,490	S	*	6/2013	Nelson et al.	D10/81
D684,491	S	*	6/2013	Confield et al.	D10/81
D698,673	S	*	2/2014	Igelmund	D10/78

2002/0001539	A1	*	1/2002	DiCesare et al.	422/52
2004/0025604	A1	*	2/2004	Call et al.	73/863.22
2005/0187444	A1	*	8/2005	Hubner et al.	600/322
2007/0100365	A1	*	5/2007	Deck	606/181
2008/0241933	A1	*	10/2008	Barker et al.	436/8
2008/0257040	A1	*	10/2008	Meinecke et al.	73/431
2009/0084678	A1	*	4/2009	Joshi et al.	204/403.14
2012/0004852	A1	*	1/2012	Miltner et al.	702/19
2012/0272713	A1	*	11/2012	Kountotsis et al.	73/23.3
2013/0016337	A1	*	1/2013	Gardner et al.	356/51
2014/0335527	A1	*	11/2014	Goel	435/6.12

* cited by examiner

Primary Examiner — Antoine D Davis

(74) *Attorney, Agent, or Firm* — Ion C. Abraham

(57) **CLAIM**

The ornamental design for a portable analytical instrument, substantially as shown.

DESCRIPTION

This invention was made with government support under Contract Number N00174-13-C-0032, Contract Name: Naval Explosive Ordnance Disposal Technology Division (NAVEODTECHDIV), task Order TI 69. The government has certain rights in this invention.

FIG. 1 is a front perspective view of the portable analytical instrument;

FIG. 2 is a rear perspective view of the portable analytical instrument;

FIG. 3 is a front view of the portable analytical instrument;

FIG. 4 is a rear view of the portable analytical instrument;

FIG. 5 is a side view of the portable analytical instrument;

FIG. 6 is a side view of the portable analytical instrument;

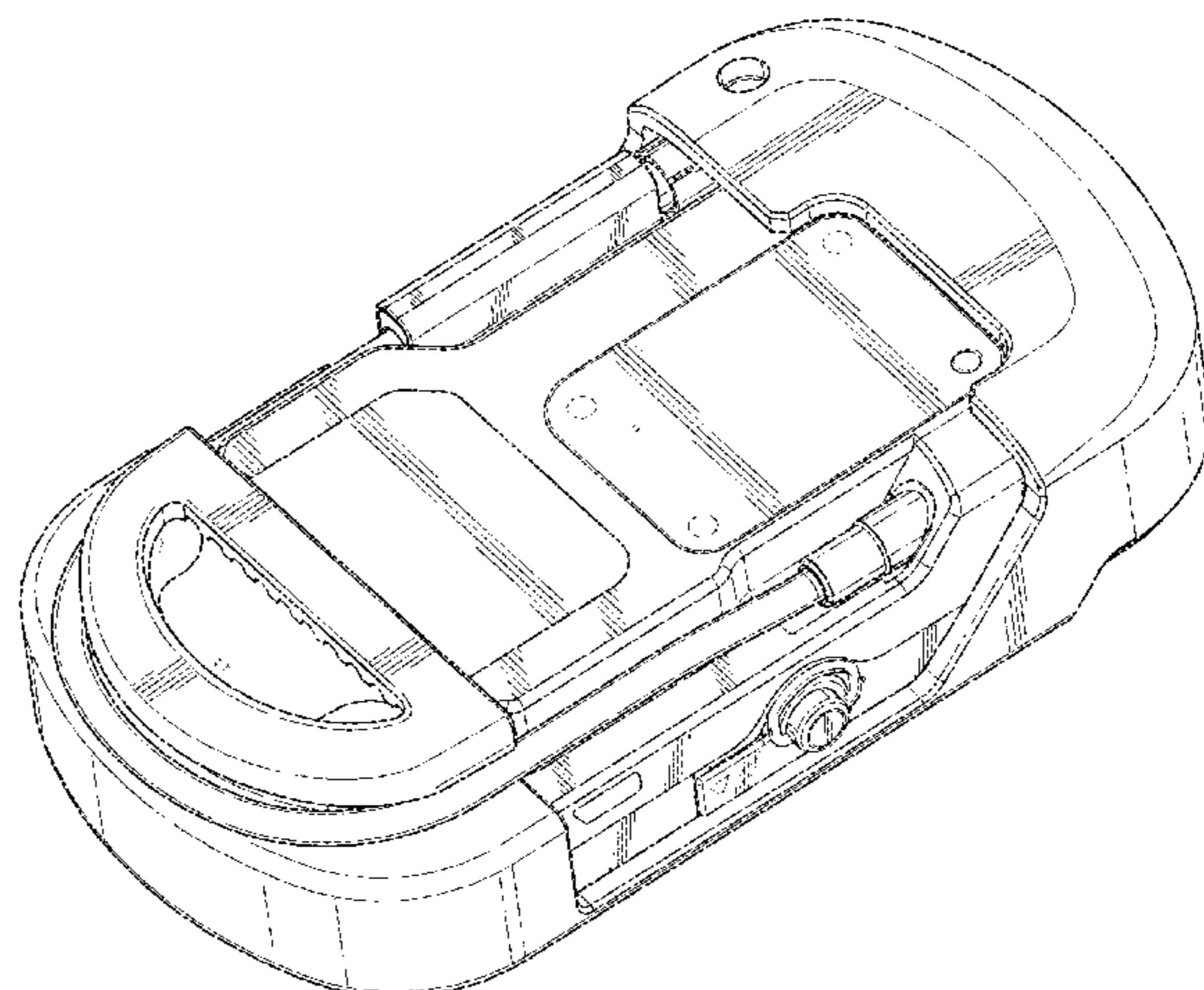
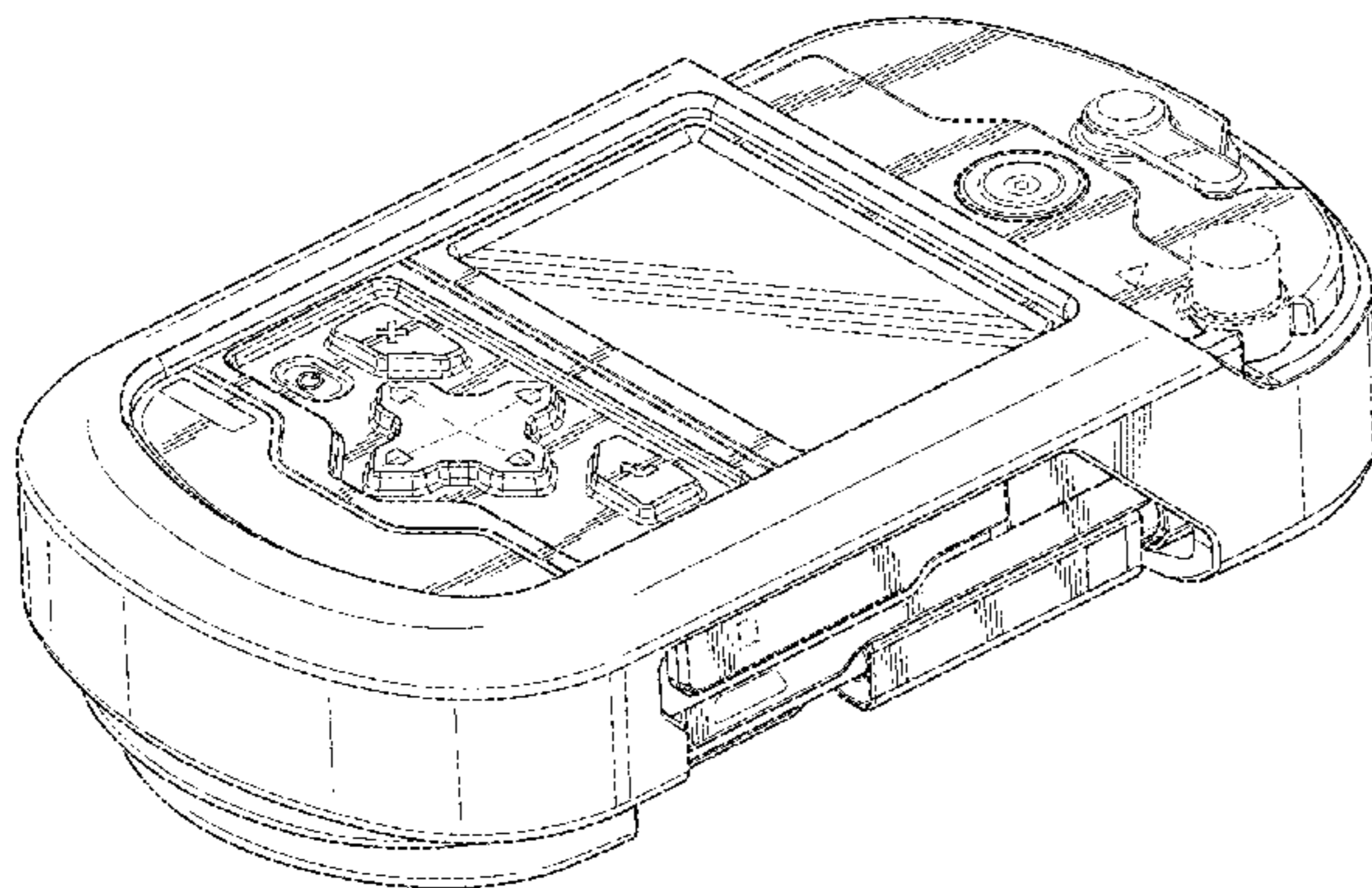
FIG. 7 is a top view of the portable analytical instrument;

FIG. 8 is a bottom view of a portable analytical instrument;

FIG. 9 is a front view of the portable analytical instrument showing a movable anvil in a first alternative position; and,

FIG. 10 is a front view of the portable analytical instrument showing a movable anvil in a second alternative position.

1 Claim, 8 Drawing Sheets



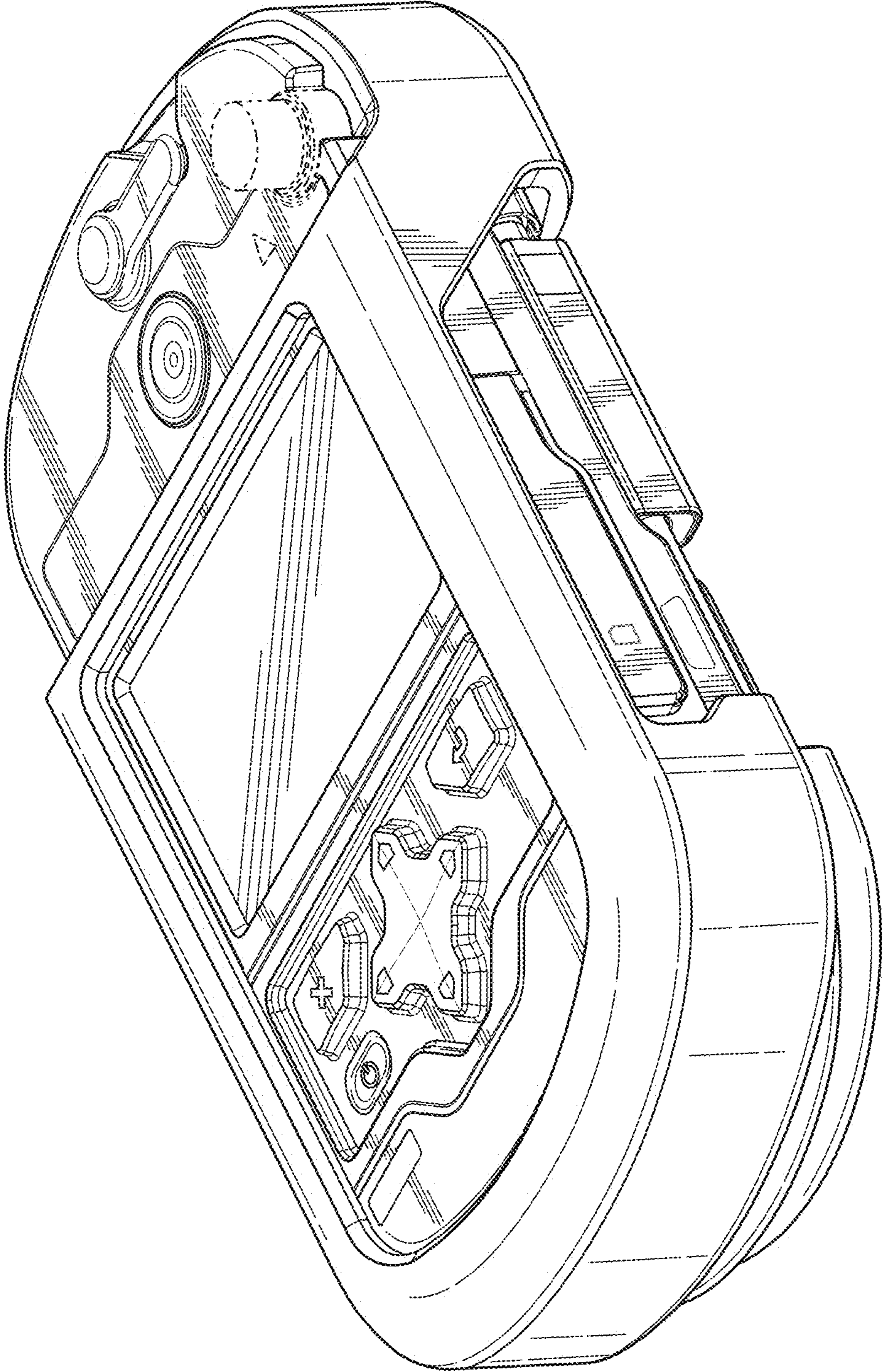


FIG. 1

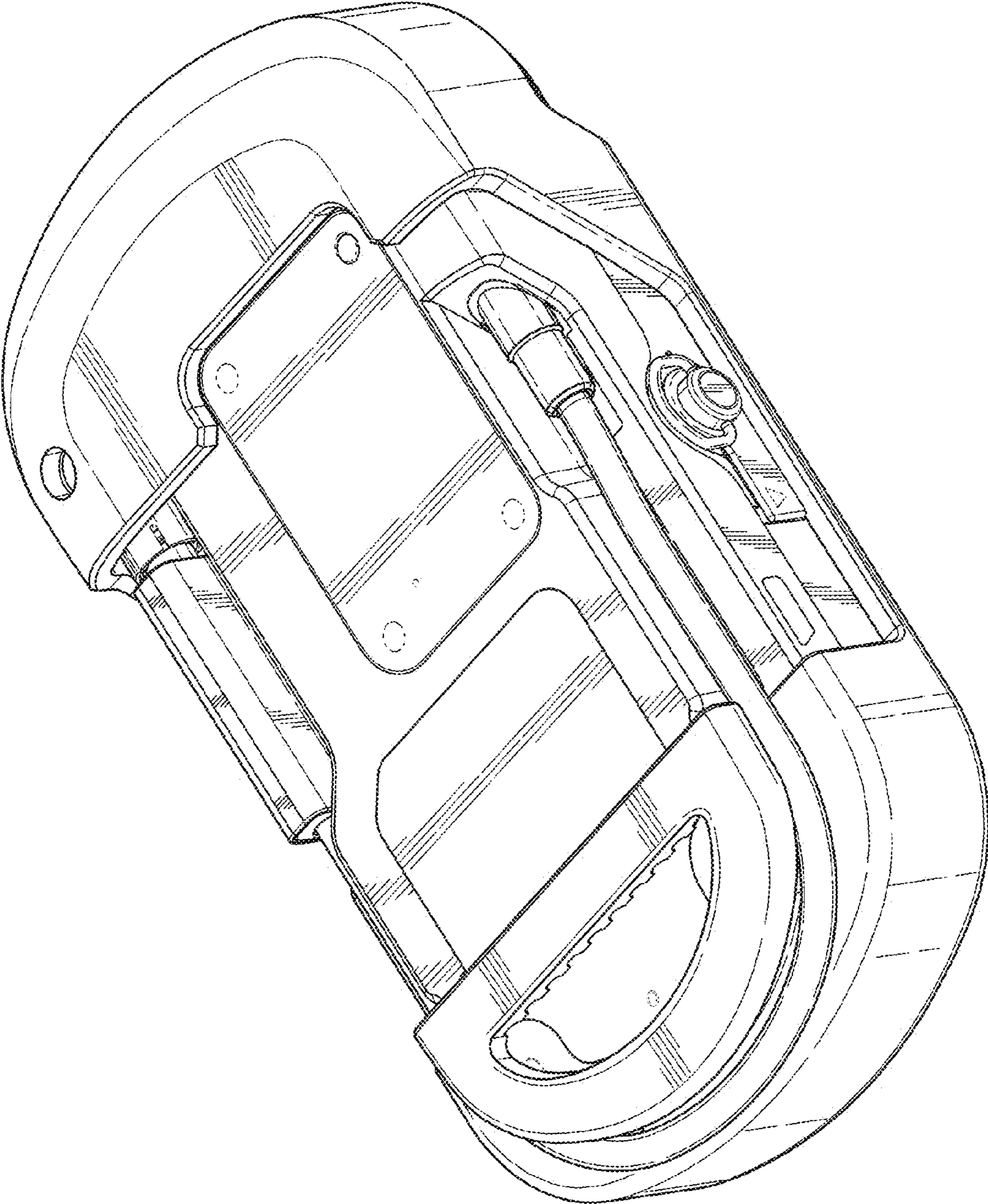


FIG. 2

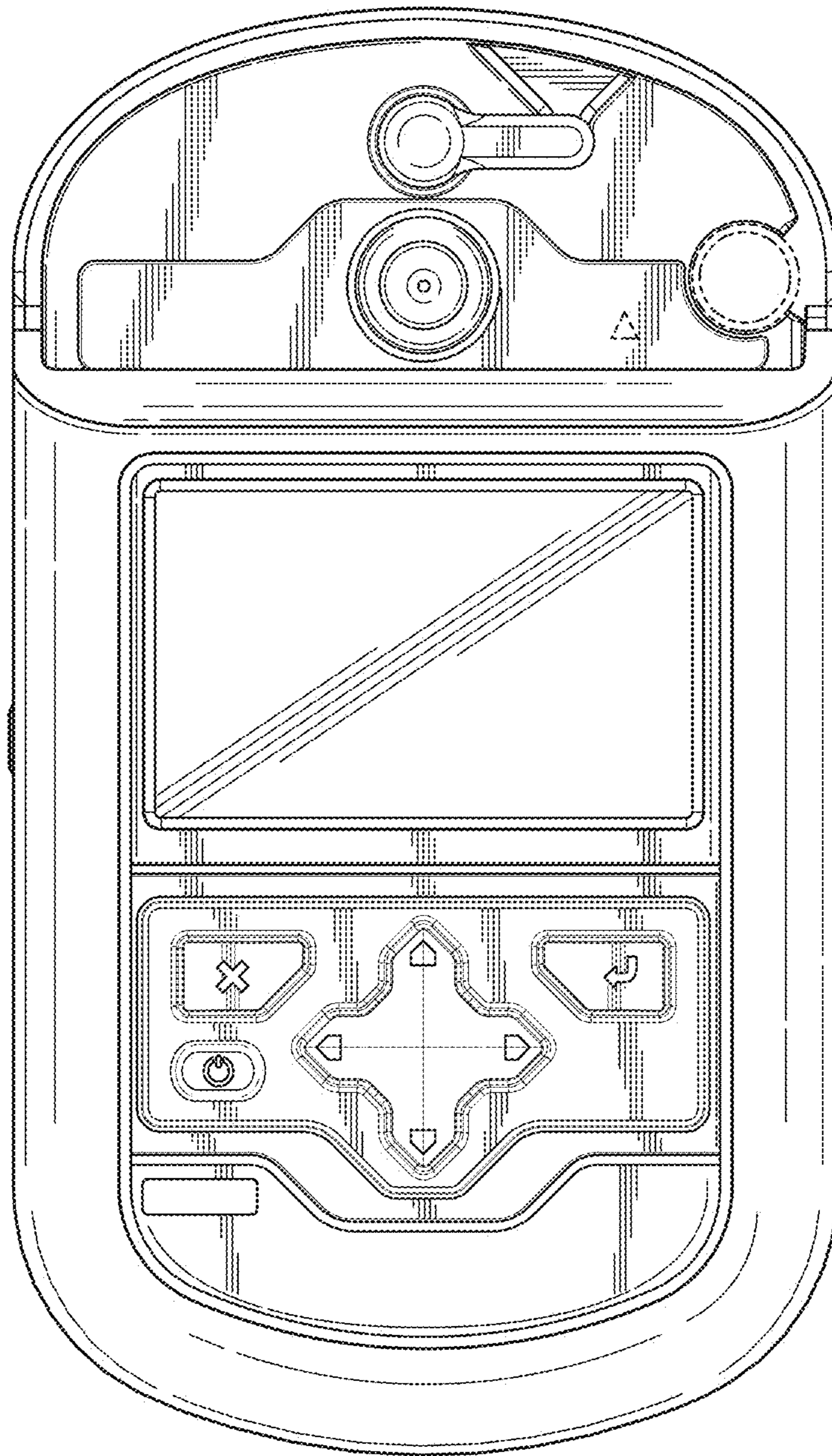


FIG. 3

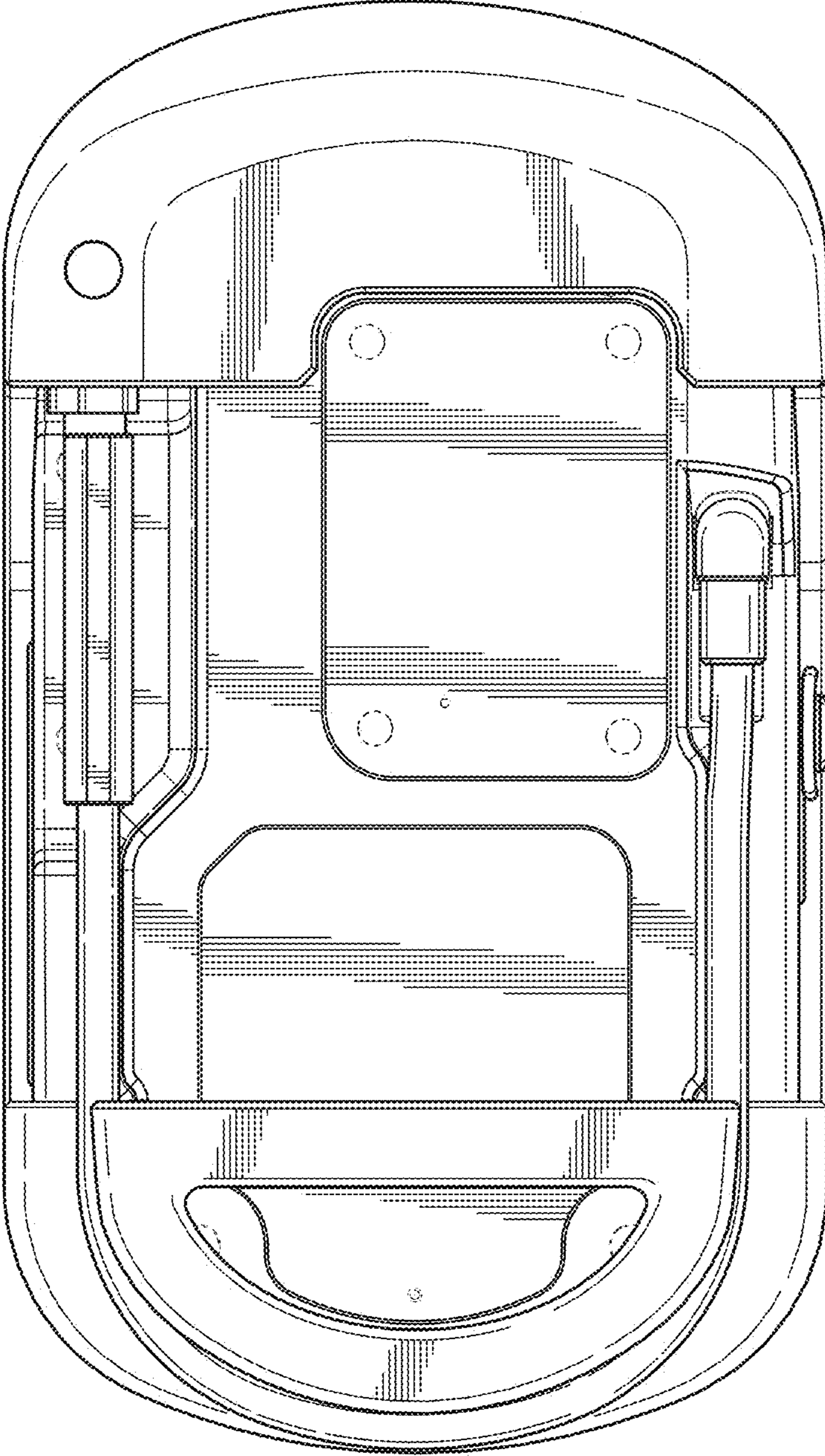


FIG. 4

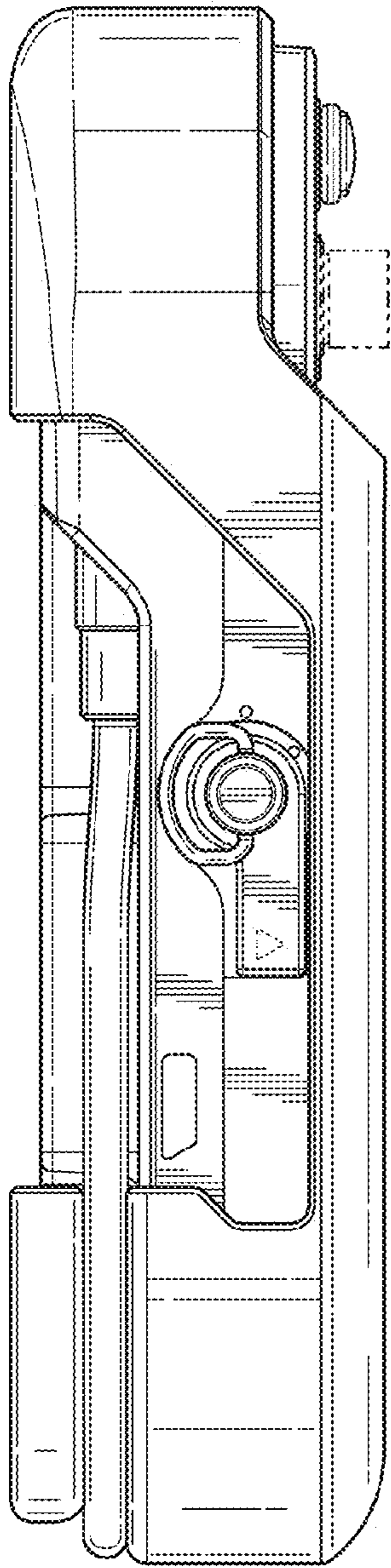


FIG. 5

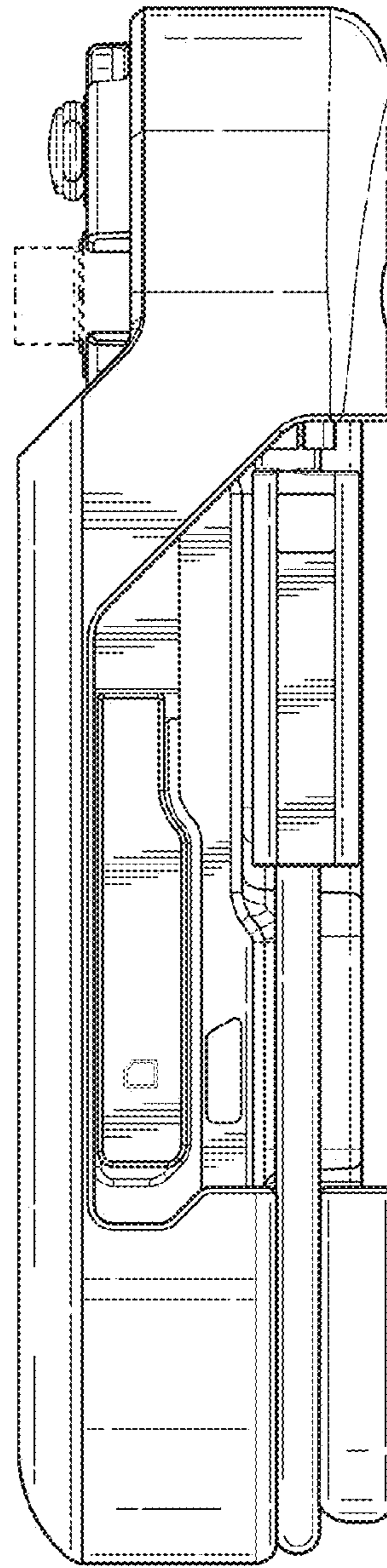


FIG. 6

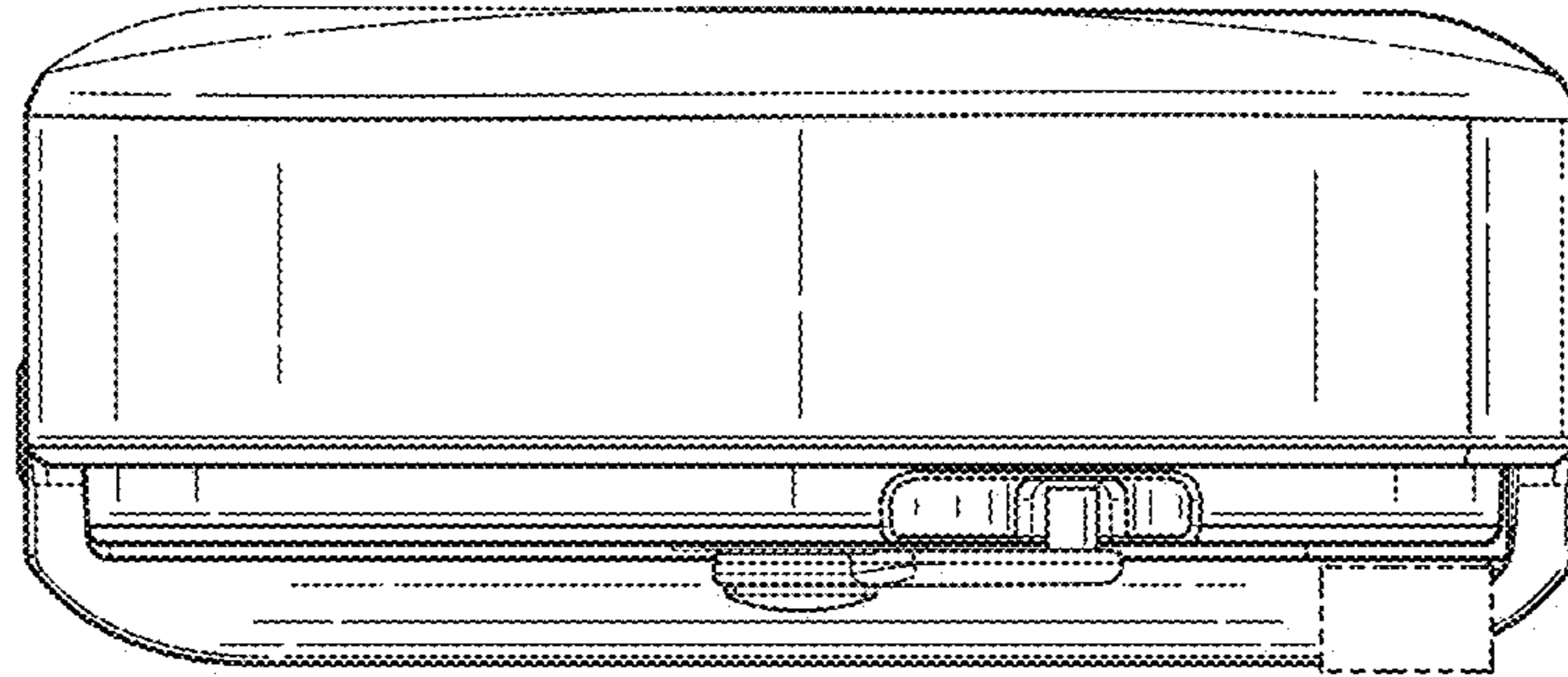


FIG. 7

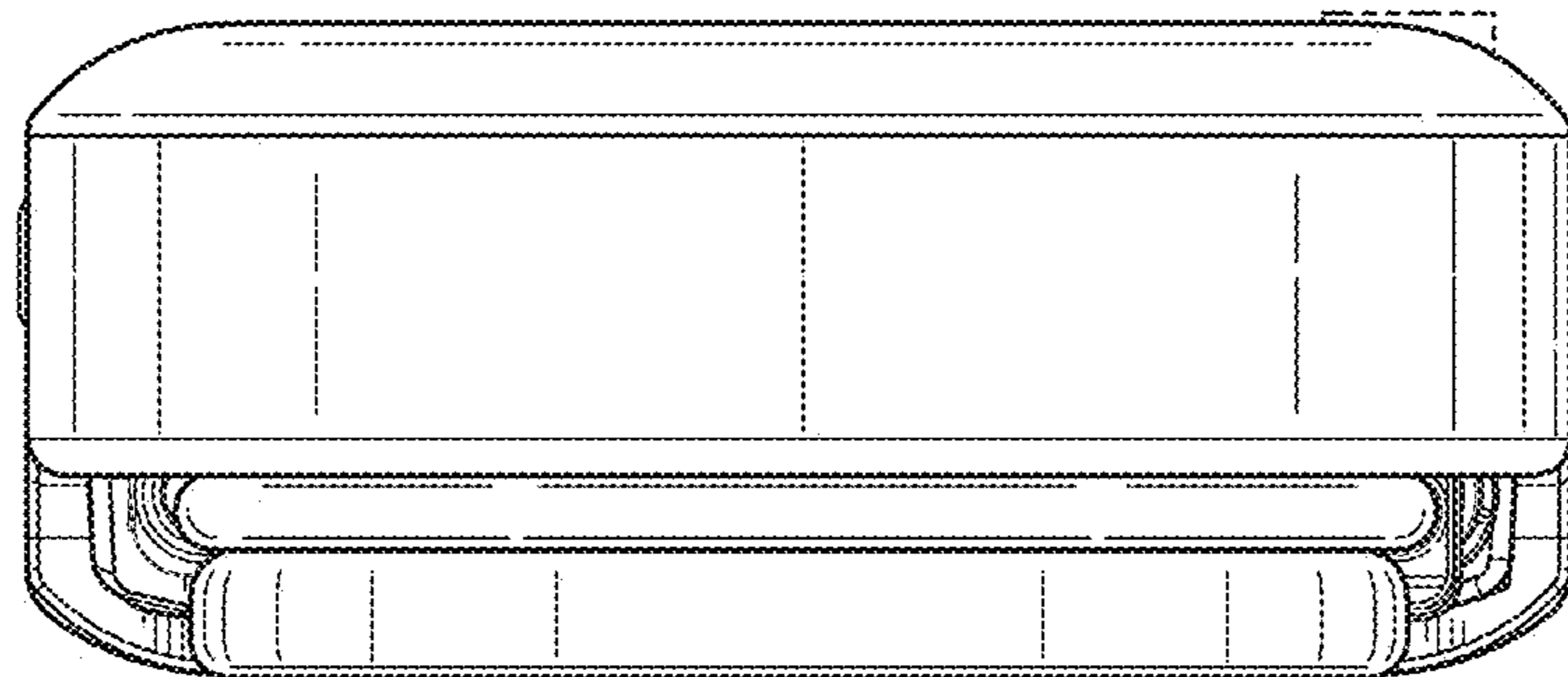


FIG. 8

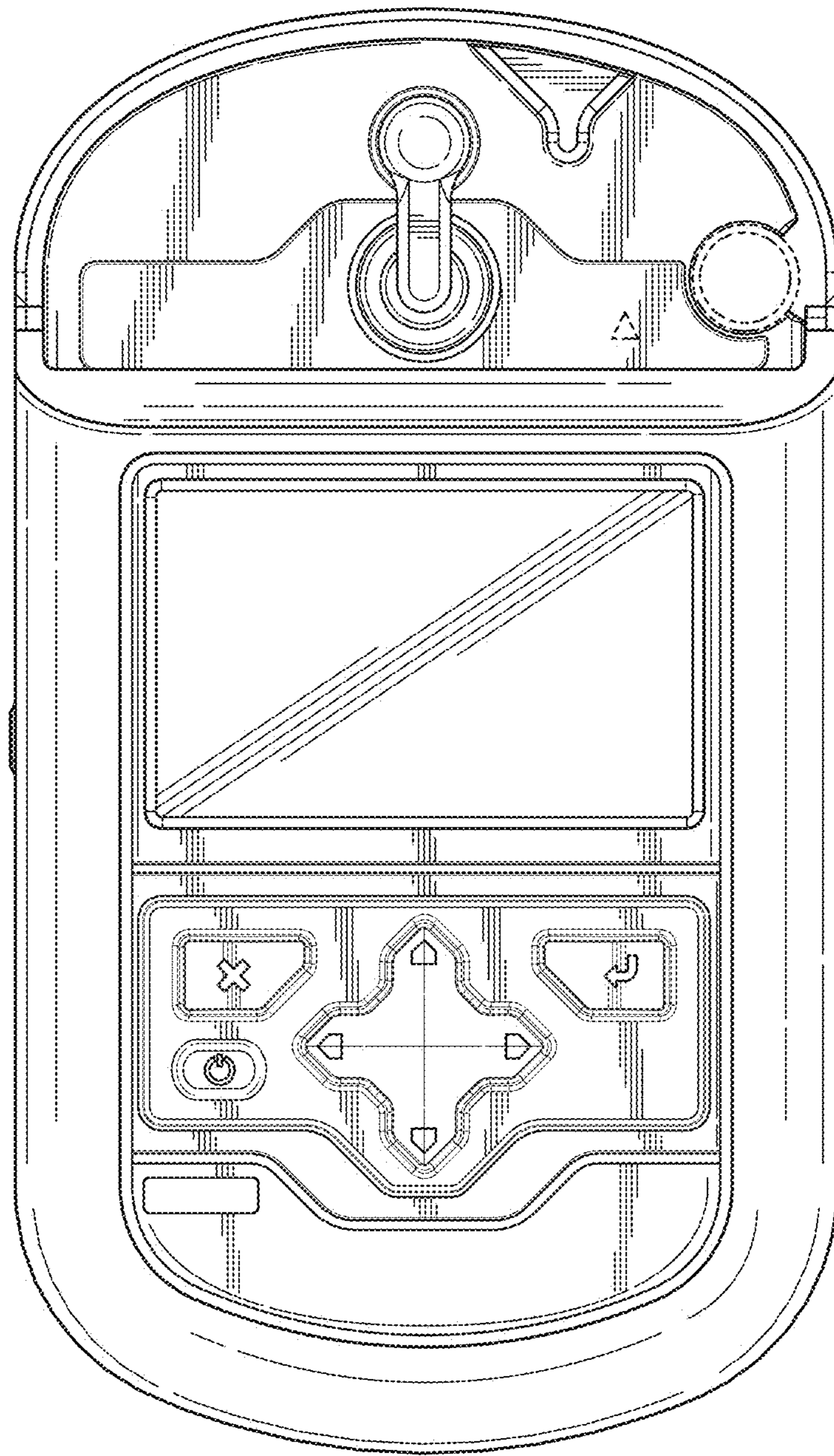


FIG. 9

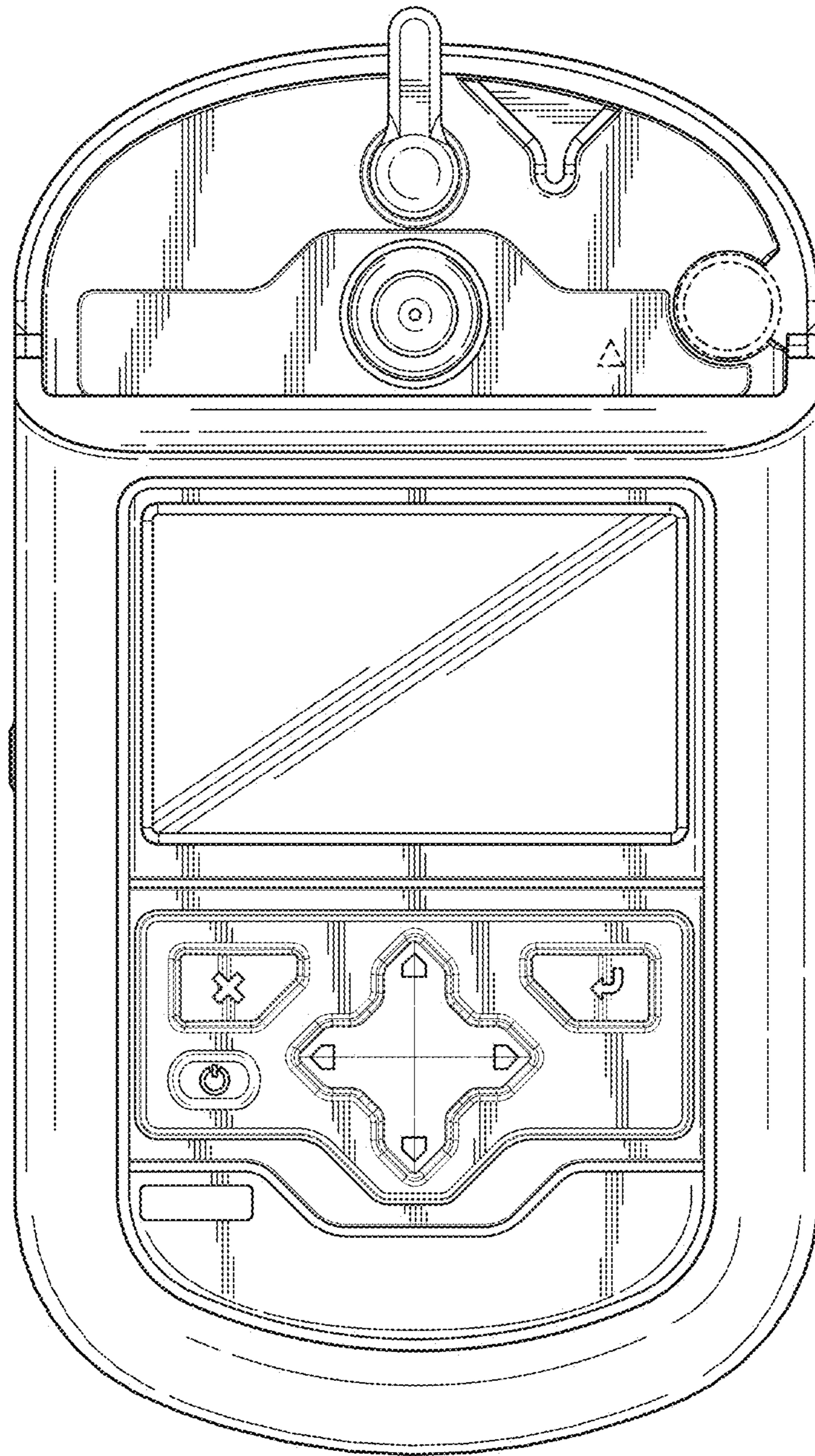


FIG. 10