

US00D730210S

(12) **United States Design Patent**
Song

(10) **Patent No.:** **US D730,210 S**

(45) **Date of Patent:** **** *May 26, 2015**

(54) **ELECTRONIC DEVICE**

(56) **References Cited**

(71) Applicant: **Samsung Electronics Co., Ltd.**,
Suwon-si (KR)

U.S. PATENT DOCUMENTS

(72) Inventor: **Jun Yong Song**, Seongnam-si (KR)

D299,718	S	*	2/1989	Steer et al.	D14/247
D305,422	S	*	1/1990	Steer et al.	D14/247
D331,020	S	*	11/1992	Ishii et al.	D10/31
D455,093	S	*	4/2002	Fitzgerald	D10/98
D528,439	S	*	9/2006	Burton	D10/32
D528,928	S	*	9/2006	Burton	D10/38
D536,265	S	*	2/2007	Reynoso	D10/31
D538,687	S	*	3/2007	Komulainen	D10/70
D549,602	S	*	8/2007	Oberrieder et al.	D10/65
D550,105	S	*	9/2007	Oberrieder et al.	D10/65
D560,520	S	*	1/2008	Oberrieder et al.	D10/65
D569,282	S	*	5/2008	Daniel	D10/65
D573,905	S	*	7/2008	Poirier	D10/65
D610,476	S	*	2/2010	Daniel	D10/65
D645,360	S	*	9/2011	Kiser et al.	D10/32
D670,583	S	*	11/2012	Shaanan	D10/70
D672,667	S	*	12/2012	Mix	D10/65

(73) Assignee: **Samsung Electronics Co., Ltd.**,
Suwon-si (KR)

(*) Notice: This patent is subject to a terminal disclaimer.

(**) Term: **14 Years**

(21) Appl. No.: **29/498,729**

(22) Filed: **Aug. 7, 2014**

(30) **Foreign Application Priority Data**

Feb. 22, 2014 (KR) 30-2014-0009043

(51) **LOC (10) Cl.** **10-04**

(52) **U.S. Cl.**
USPC **D10/70; D10/30; D10/103**

(58) **Field of Classification Search**
CPC G08G 1/096883; G08G 1/096872;
G08G 1/096775; G01C 21/16; G01C 21/3688;
G01C 21/30; G01V 8/20; G01J 5/02; G01J
5/023; G01J 5/24; G01J 5/10; G01J 5/20;
G01J 5/0235; G01J 5/08; G01J 5/0853;
G01J 5/33; G01J 5/34; G01J 5/00
USPC D10/30-39, 65, 70, 78, 97, 98, 103;
D11/3; D13/173-177; D14/138 R,
D14/203.5, 247, 338-340, 344, 346, 347;
D24/167, 168

See application file for complete search history.

* cited by examiner

Primary Examiner — Antoine D Davis

(74) *Attorney, Agent, or Firm* — NSIP Law

(57) **CLAIM**

The ornamental design for an electronic device, as shown and described.

DESCRIPTION

FIG. 1 is a front perspective view of an electronic device showing my new design;
FIG. 2 is a front view thereof;
FIG. 3 is a rear view thereof;
FIG. 4 is a left-side view thereof;
FIG. 5 is a right-side view thereof;
FIG. 6 is a top view thereof; and,
FIG. 7 is a bottom view thereof.
The broken lines in the figures show portions of the electronic device which form no part of the claimed design.

1 Claim, 7 Drawing Sheets

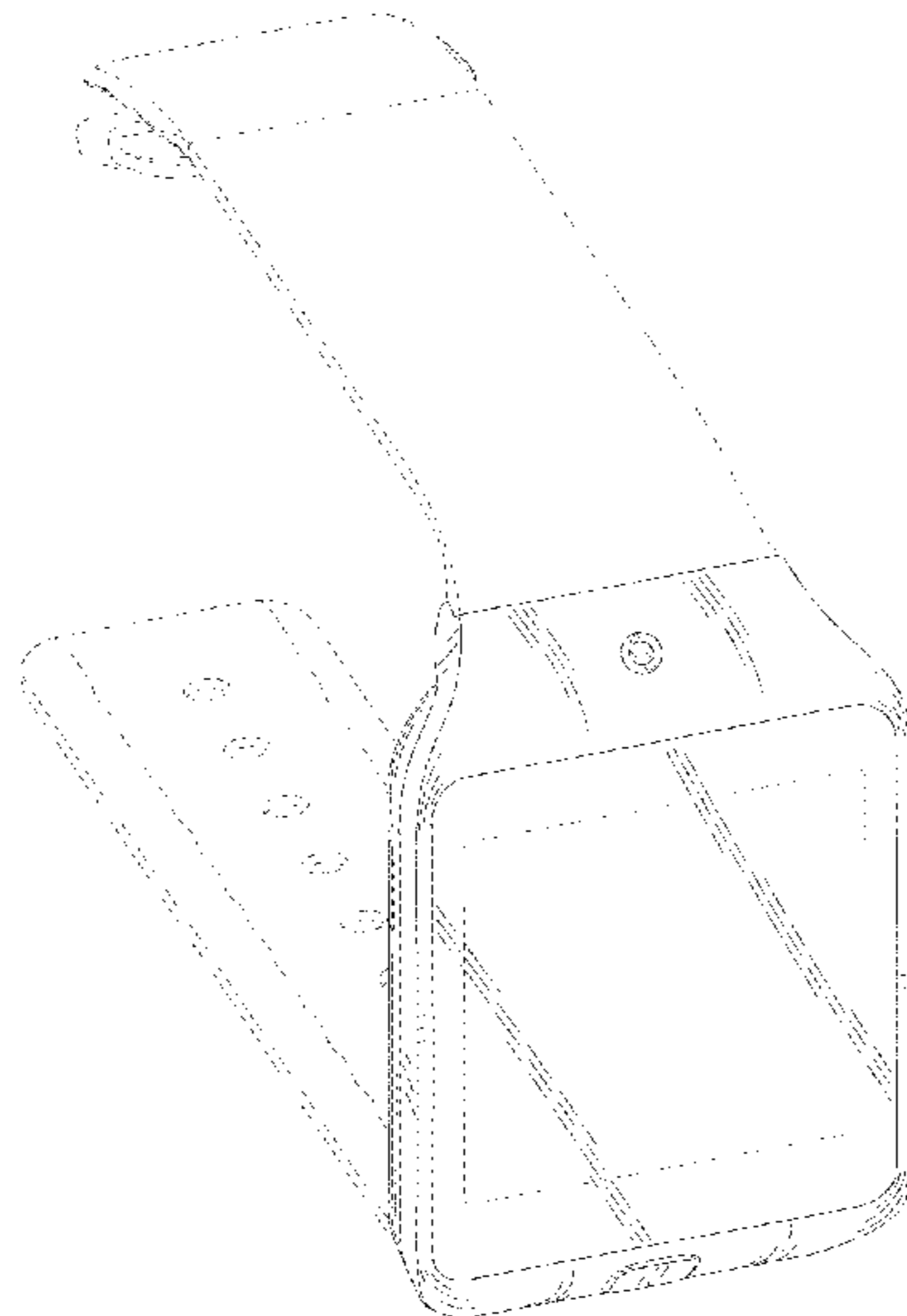


Fig. 1

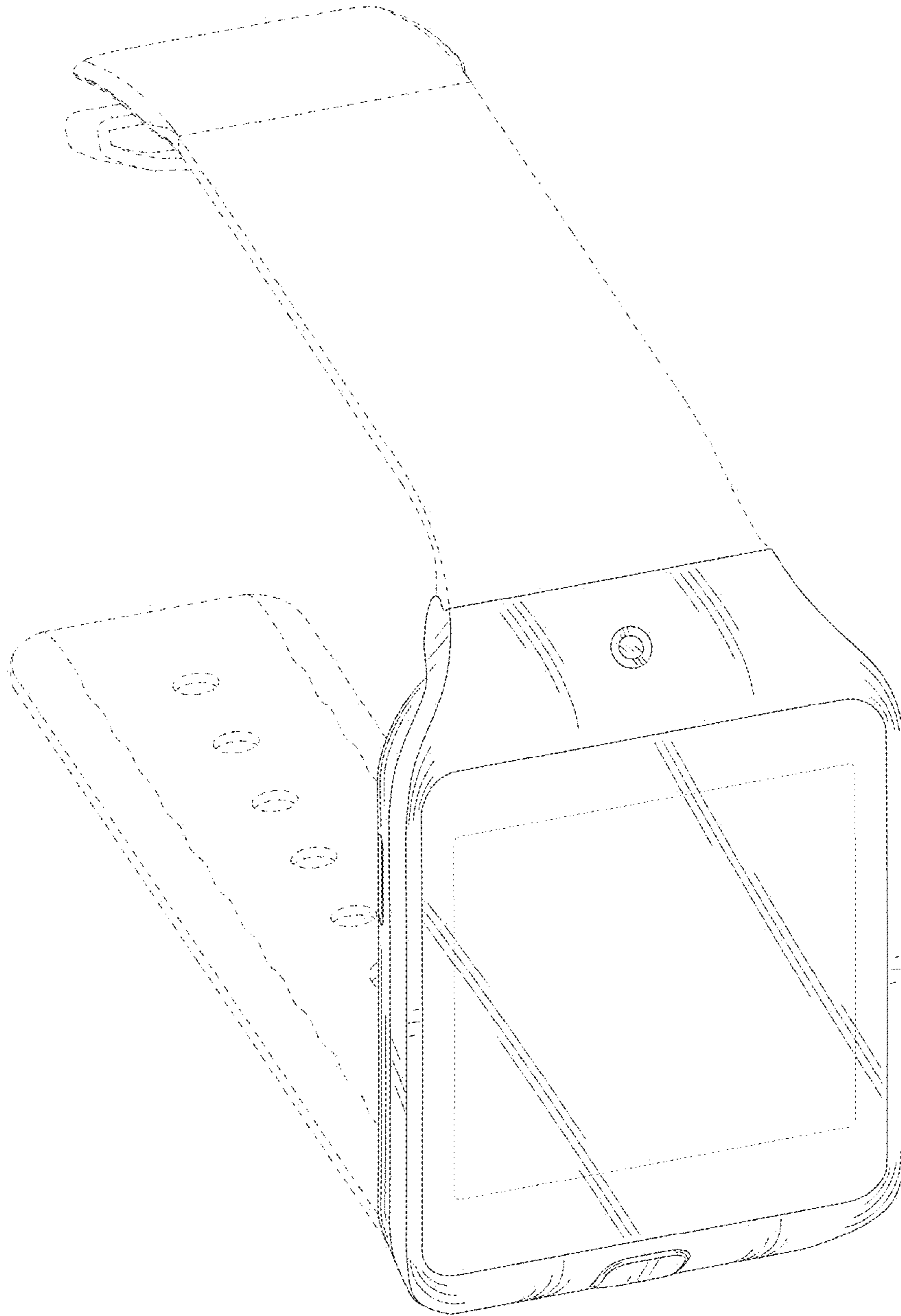


Fig. 2

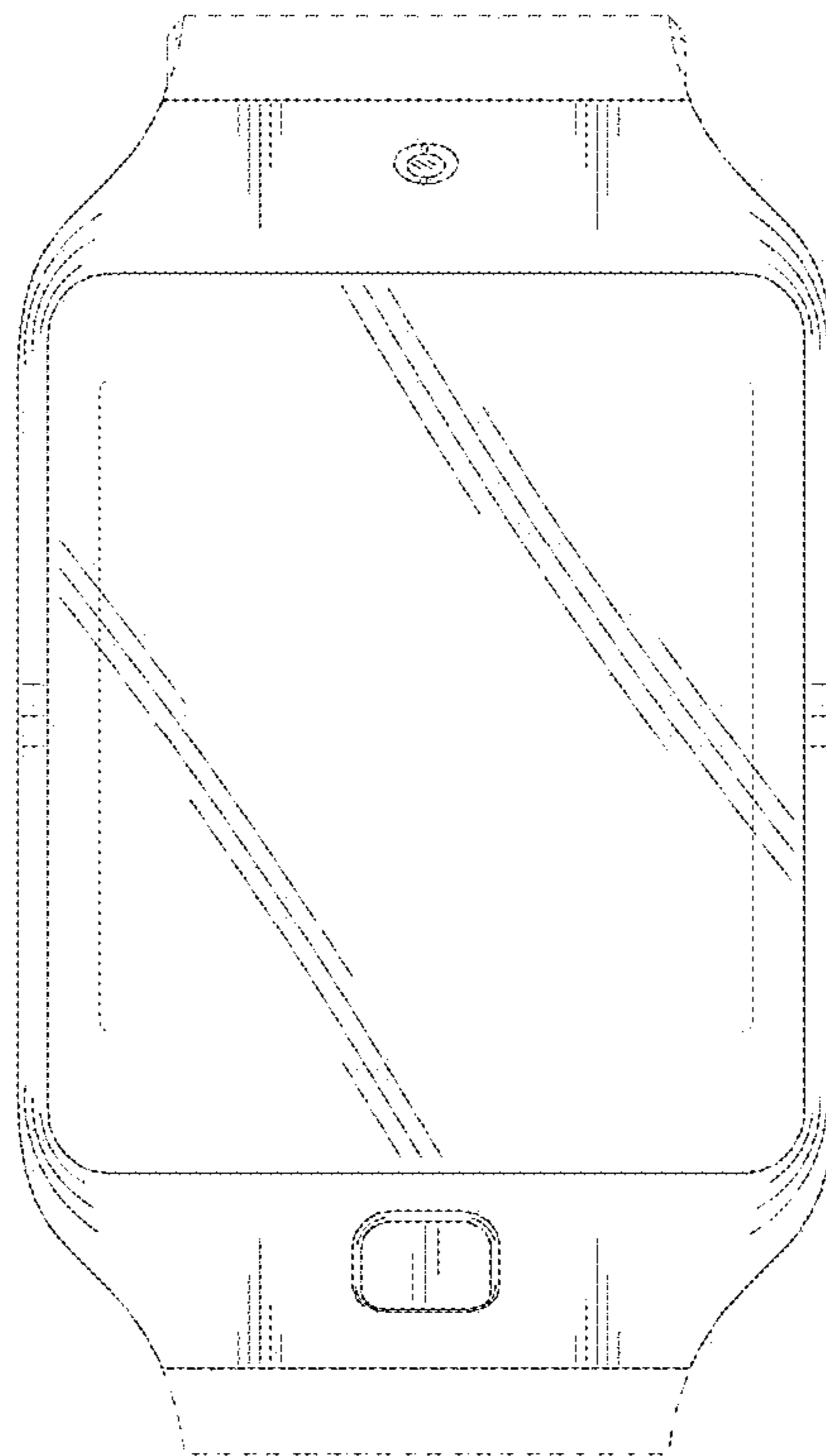


Fig. 3

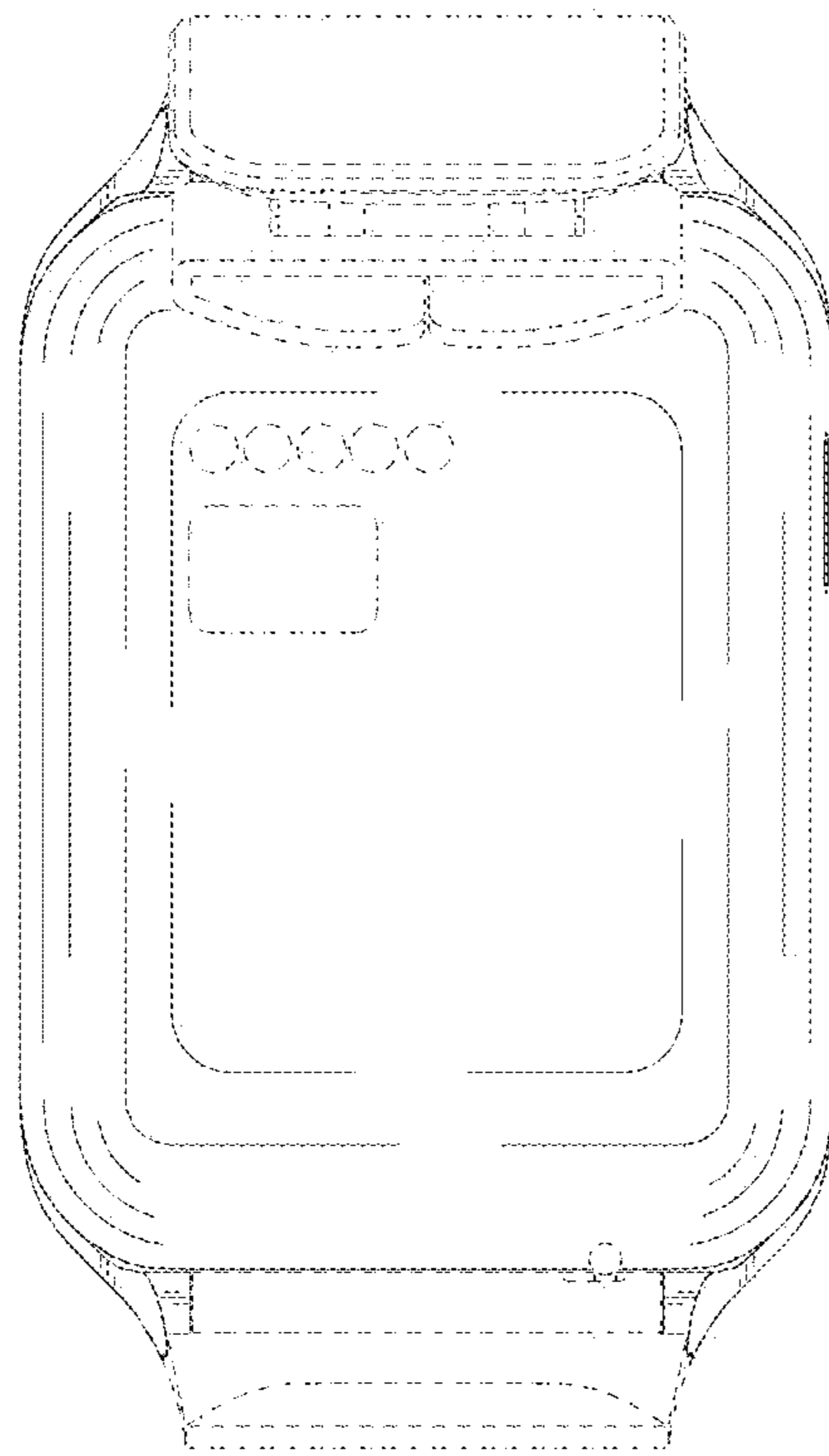


Fig. 4

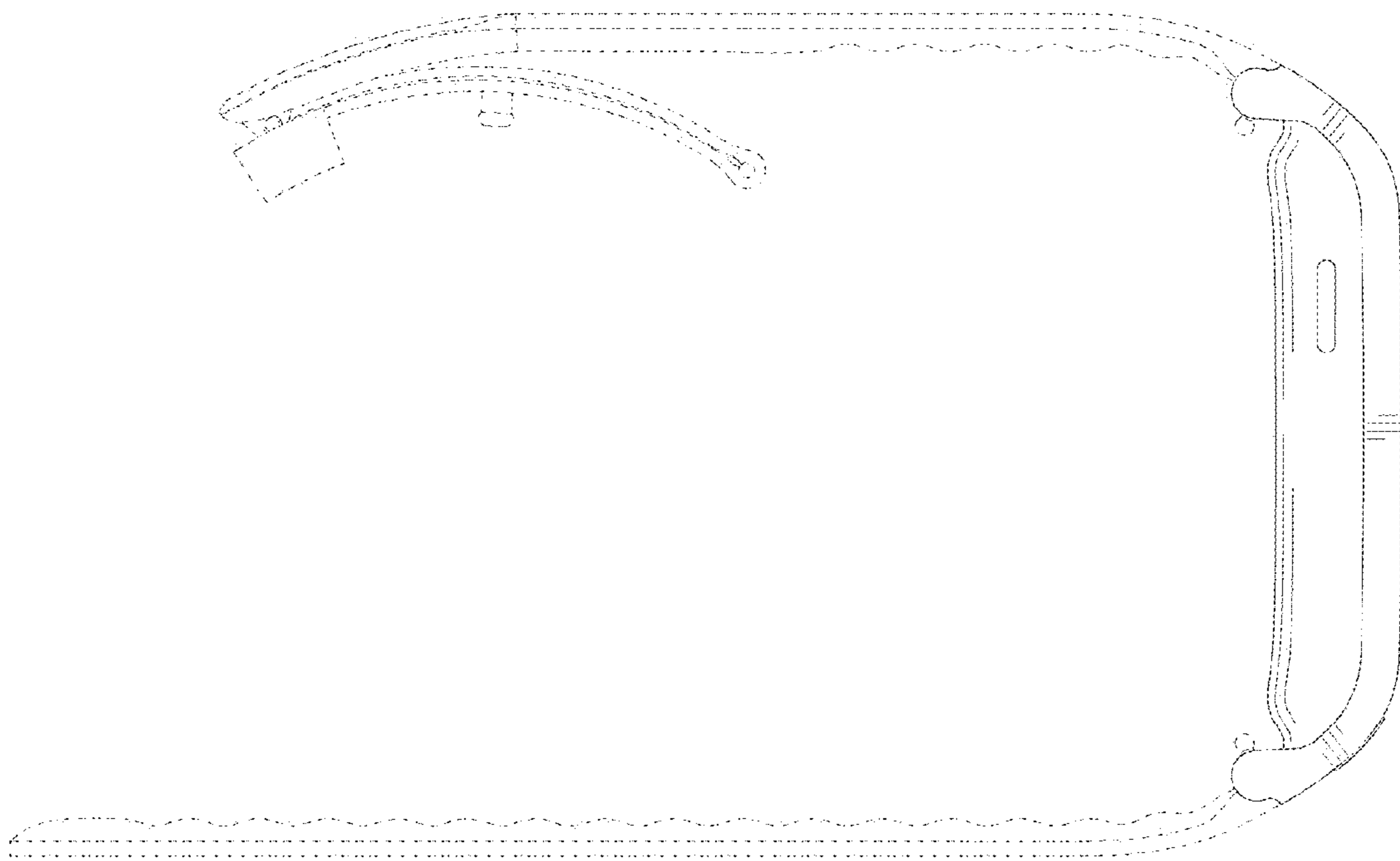


Fig. 5

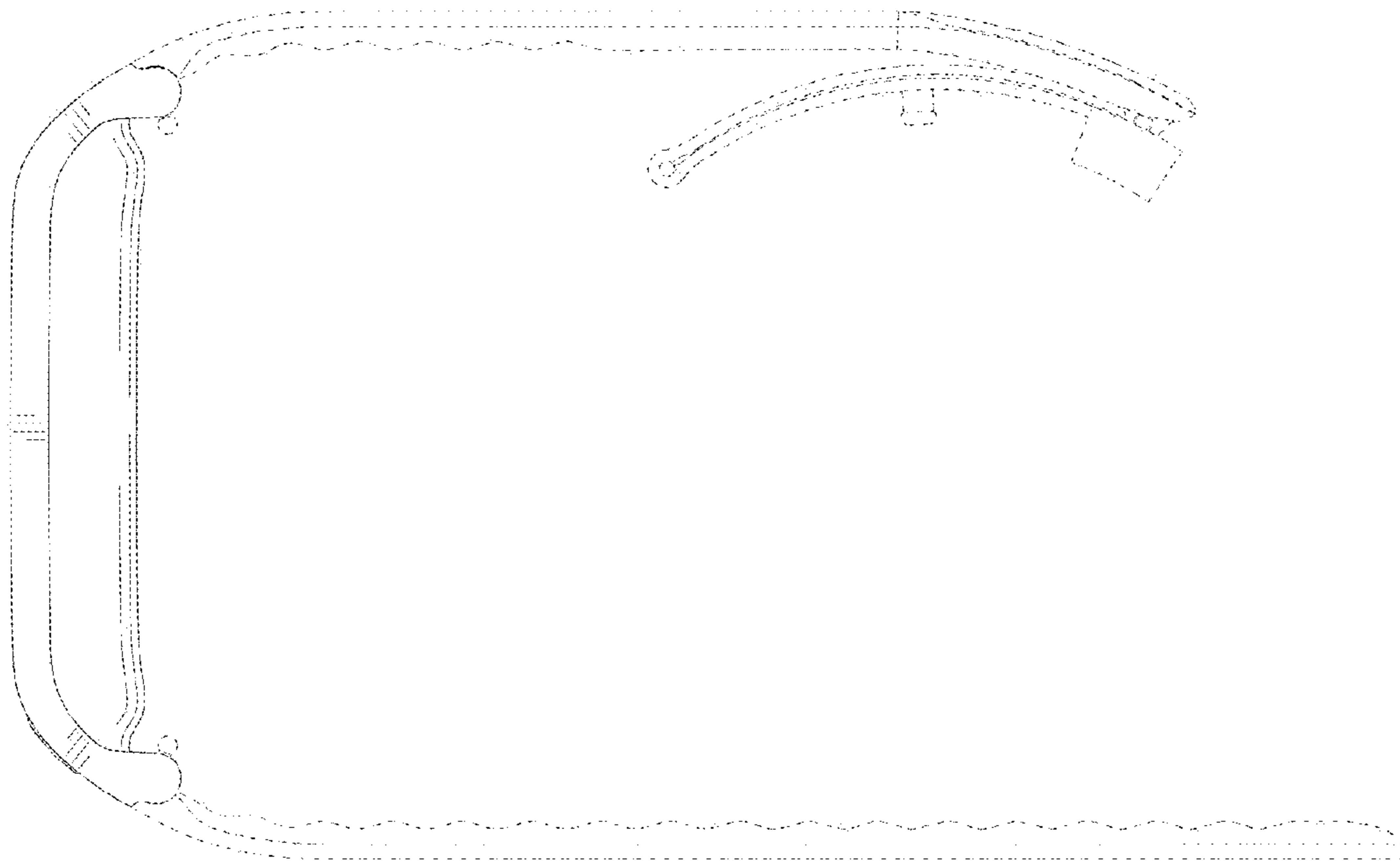


Fig. 6

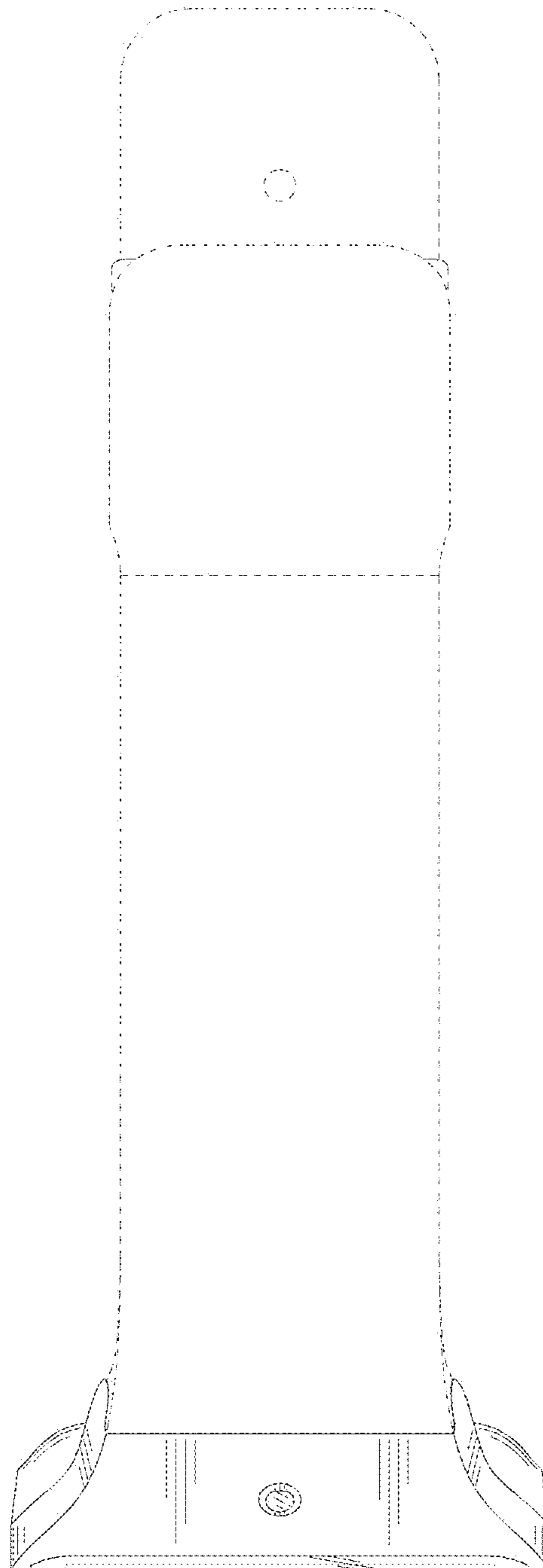


Fig. 7

