



US00D730209S

(12) **United States Design Patent**
Wolos et al.

(10) **Patent No.:** **US D730,209 S**
(45) **Date of Patent:** **** May 26, 2015**

(54) **WEARABLE DEVICE AND BAND**

(71) Applicant: **Filip Technologies UK Ltd.**, London (GB)
(72) Inventors: **Gregory Wolos**, Cambridge, MA (US); **Sten Kirkbak**, Trondheim (NO); **Pål Selnæs**, Morrisville, NC (US); **William Herbert Darden, IV**, Cary, NC (US); **Dirk Ahlgrim**, Boston, MA (US); **Timothy Proulx**, Nashua, NH (US); **Ari Adler**, Cambridge, MA (US); **Jonathan Peachey**, New York, NY (US); **Martin Hanssmann**, Portsmouth, NH (US)

(73) Assignee: **Filip Technologies, Inc.**, New York, NY (US)

(**) Term: **14 Years**

(21) Appl. No.: **29/491,830**

(22) Filed: **May 25, 2014**

(51) **LOC (10) Cl.** **10-04**

(52) **U.S. Cl.**
USPC **D10/70; D10/78**

(58) **Field of Classification Search**
CPC G08G 1/096883; G08G 1/096872;
G08G 1/096775; G01C 21/16; G01C 21/3688;
G01C 21/30; G01V 8/20; G01J 5/02; G01J 5/023;
G01J 5/24; G01J 5/10; G01J 5/20;
G01J 5/0235; G01J 5/08; G01J 5/0853;
G01J 5/33; G01J 5/34; G01J 5/00
USPC D10/30–39, 65, 70, 78, 97, 98, 103;
D11/3; D13/173–177; D14/138 R,
D14/203.5, 247, 338–340, 344, 346, 347;
D24/167, 168

See application file for complete search history.

(56) **References Cited**

U.S. PATENT DOCUMENTS

D528,439	S	*	9/2006	Burton	D10/32
D528,928	S	*	9/2006	Burton	D10/38
D645,360	S	*	9/2011	Kiser et al.	D10/32
D693,251	S	*	11/2013	Anderssen et al.	D10/70
D710,220	S	*	8/2014	Daniel	D10/70
D716,677	S	*	11/2014	Messier et al.	D10/98
D717,678	S	*	11/2014	Anderssen et al.	D10/98
D717,679	S	*	11/2014	Anderssen et al.	D10/98
D719,123	S	*	12/2014	Park et al.	D14/138 R

* cited by examiner

Primary Examiner — Antoine D Davis

(74) *Attorney, Agent, or Firm* — Ballard Spahr LLP

(57) **CLAIM**

We claim the ornamental design for a wearable device and band, as shown and described.

DESCRIPTION

FIG. 1 is an isometric view of an embodiment of our design for a wearable device and band;

FIG. 2 is a top view of the design for a wearable device and band shown in FIG. 1;

FIG. 3 is a bottom view of the design for a wearable device and band shown in FIG. 1;

FIG. 4 is a left side view of the design for a wearable device and band shown in FIG. 1;

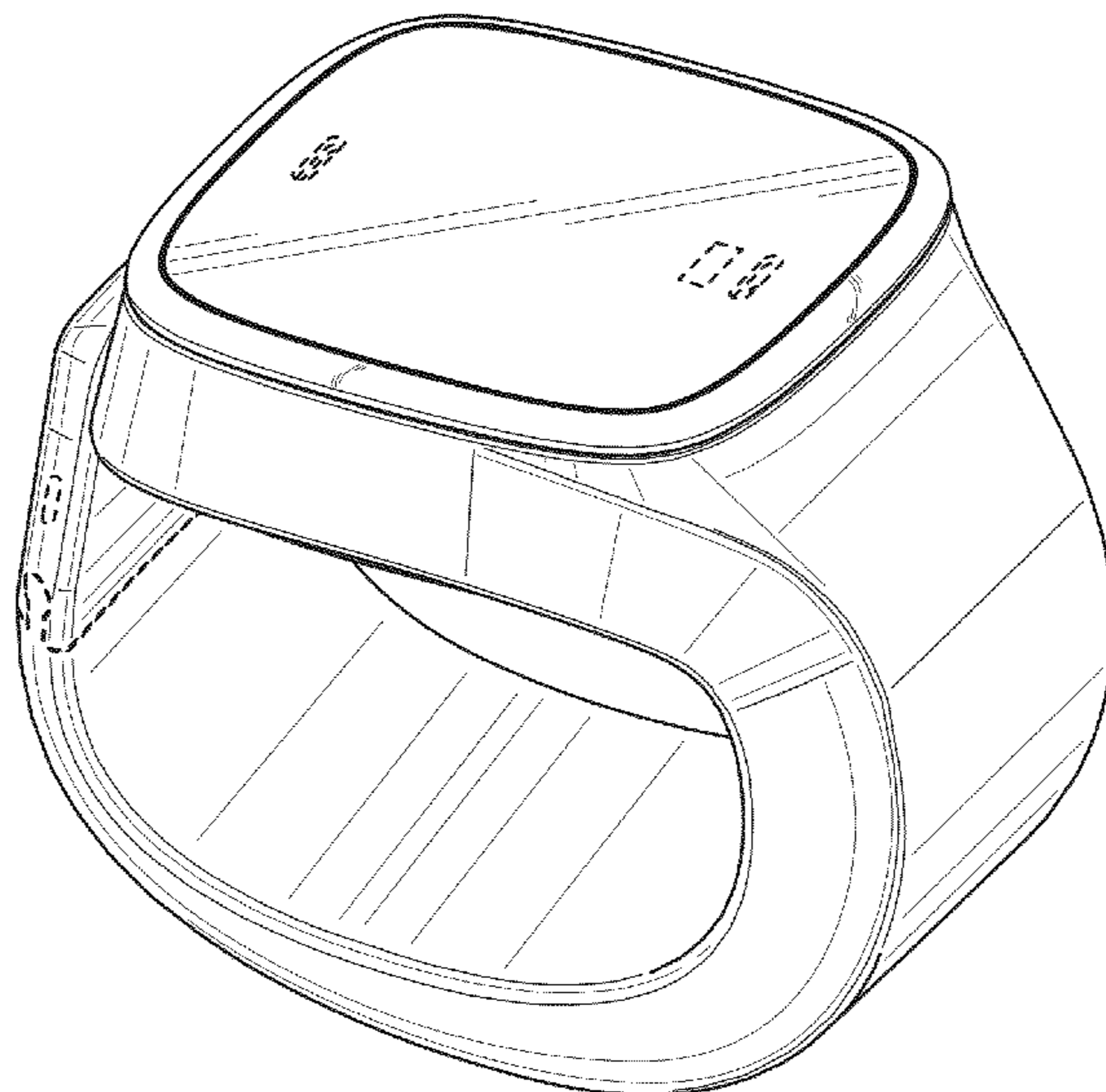
FIG. 5 is a right side view of the design for a wearable device and band shown in FIG. 1;

FIG. 6 is an end view of the design for a wearable device and band shown in FIG. 1; and,

FIG. 7 is a second end view of the design for a wearable device and band shown in FIG. 1.

The broken lines in the Figures are for illustrative purposes only and form no part of the claimed design.

1 Claim, 7 Drawing Sheets



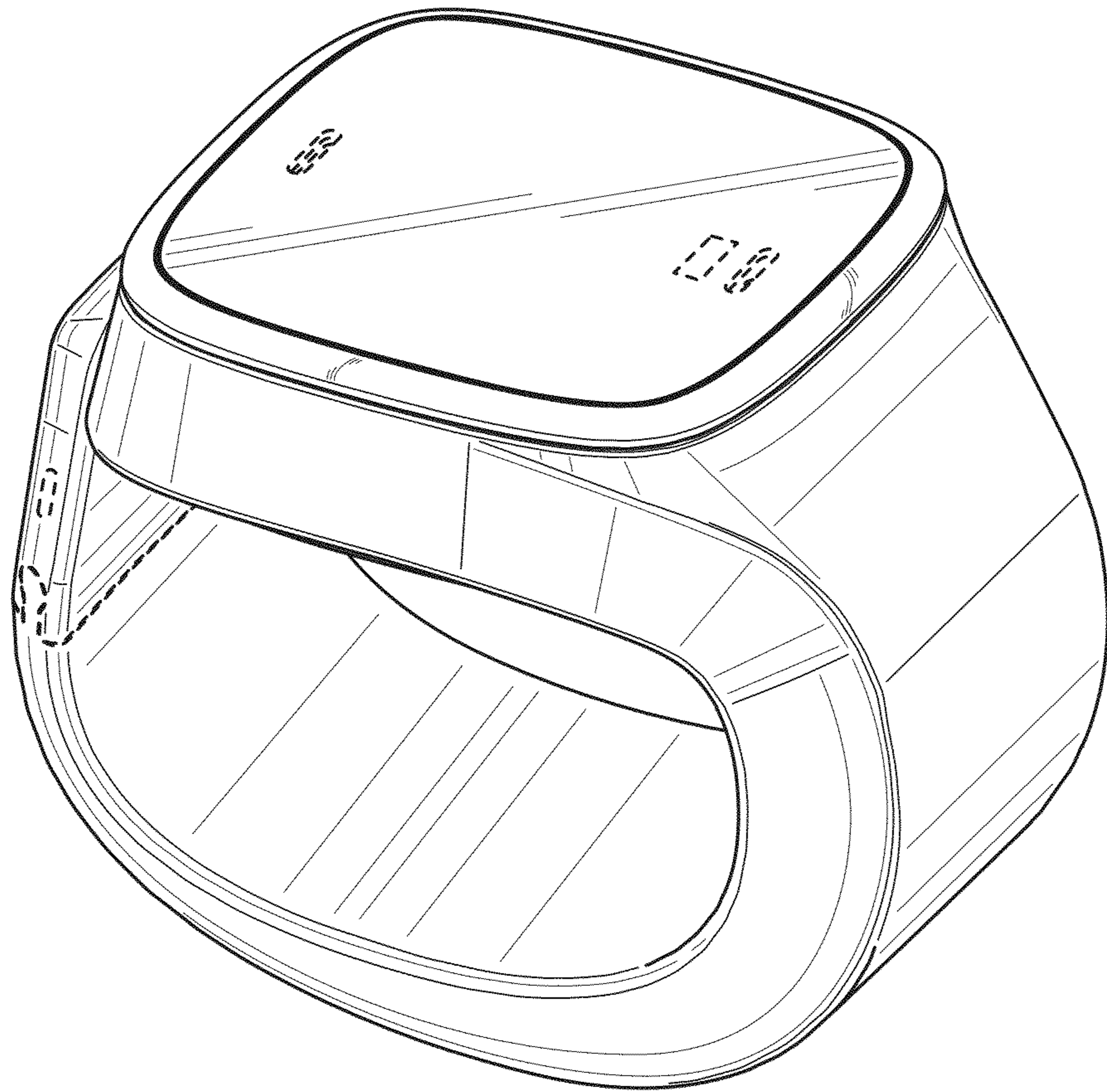


FIG. 1

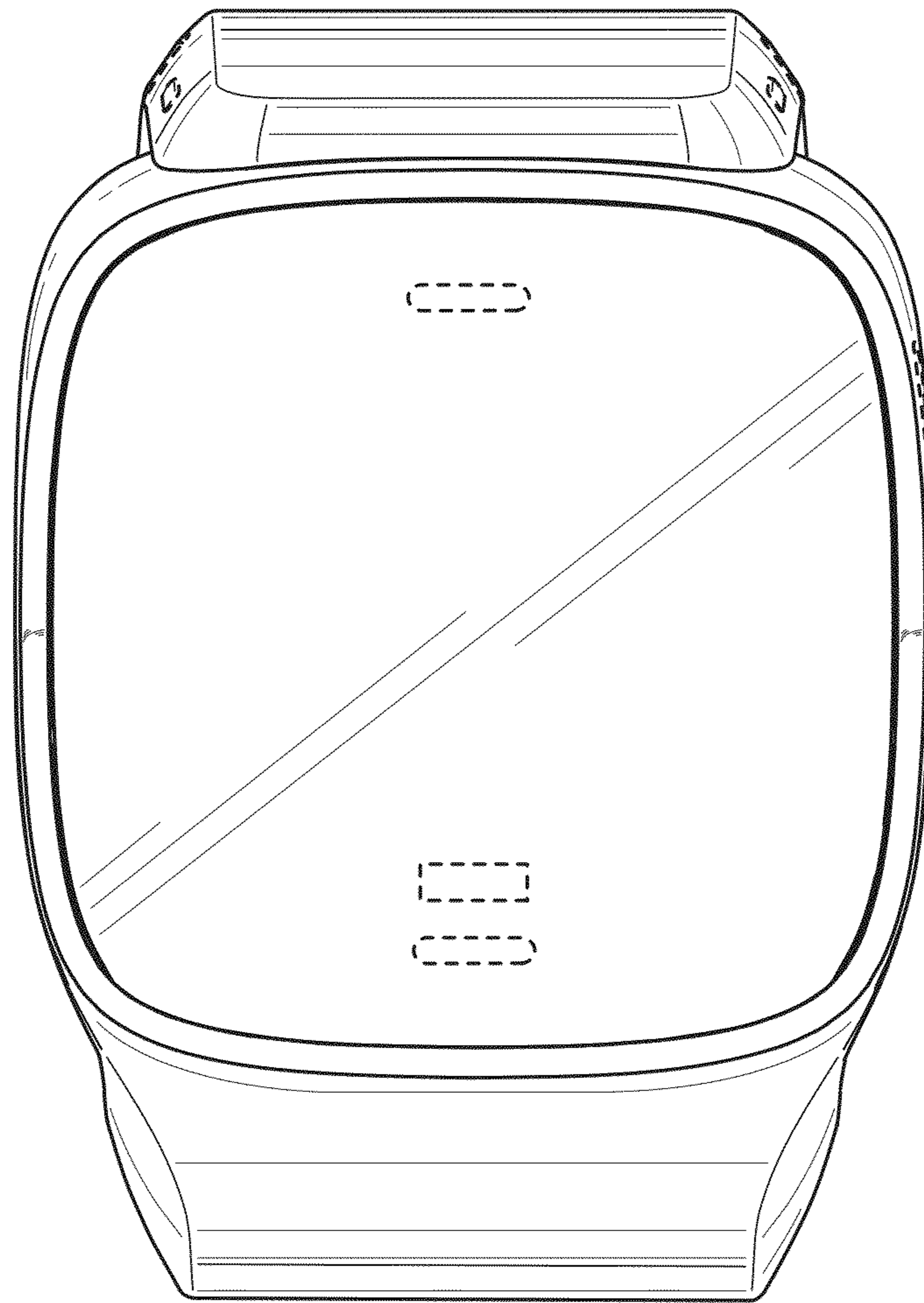


FIG. 2

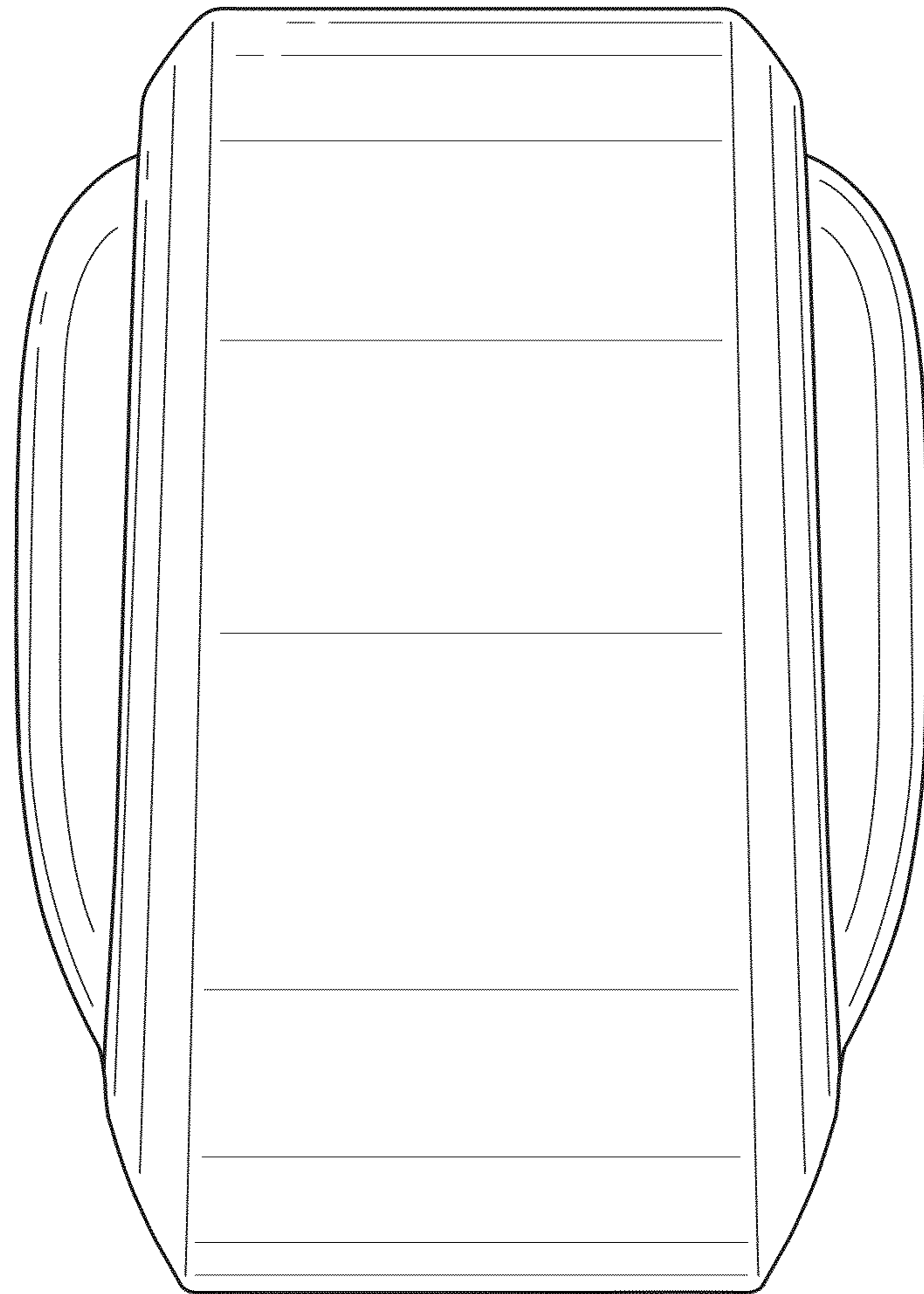


FIG. 3

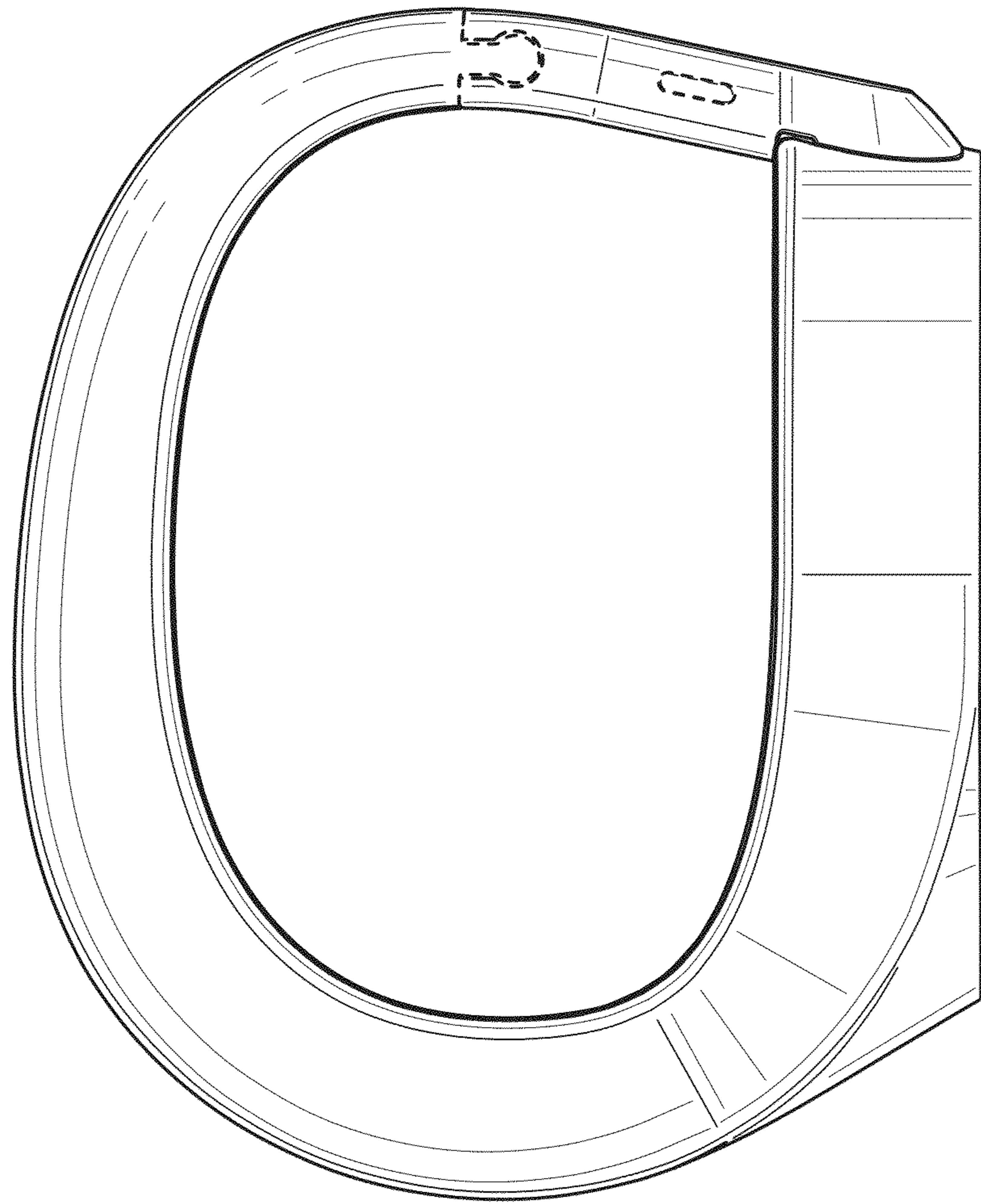


FIG. 4

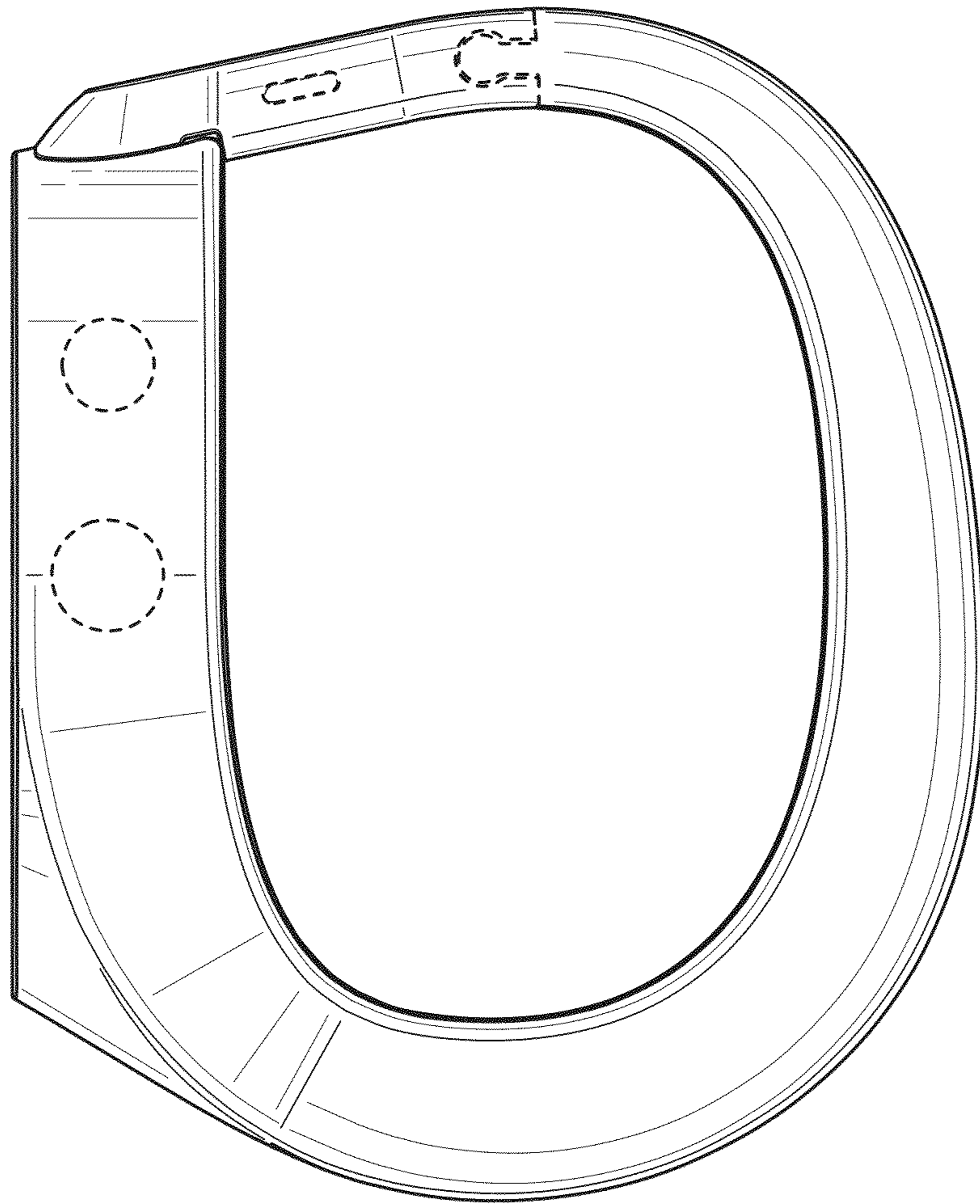


FIG. 5

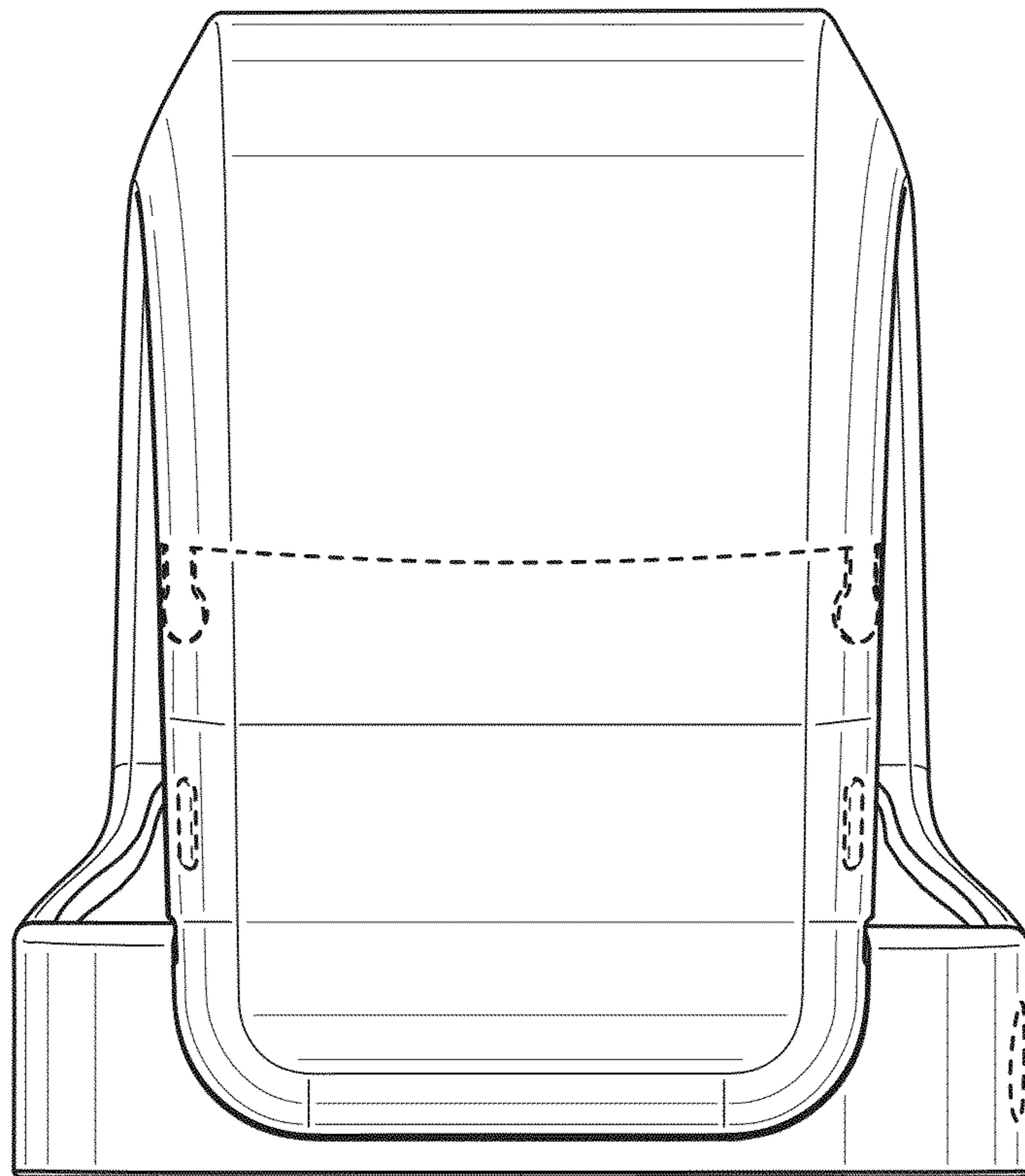


FIG. 6

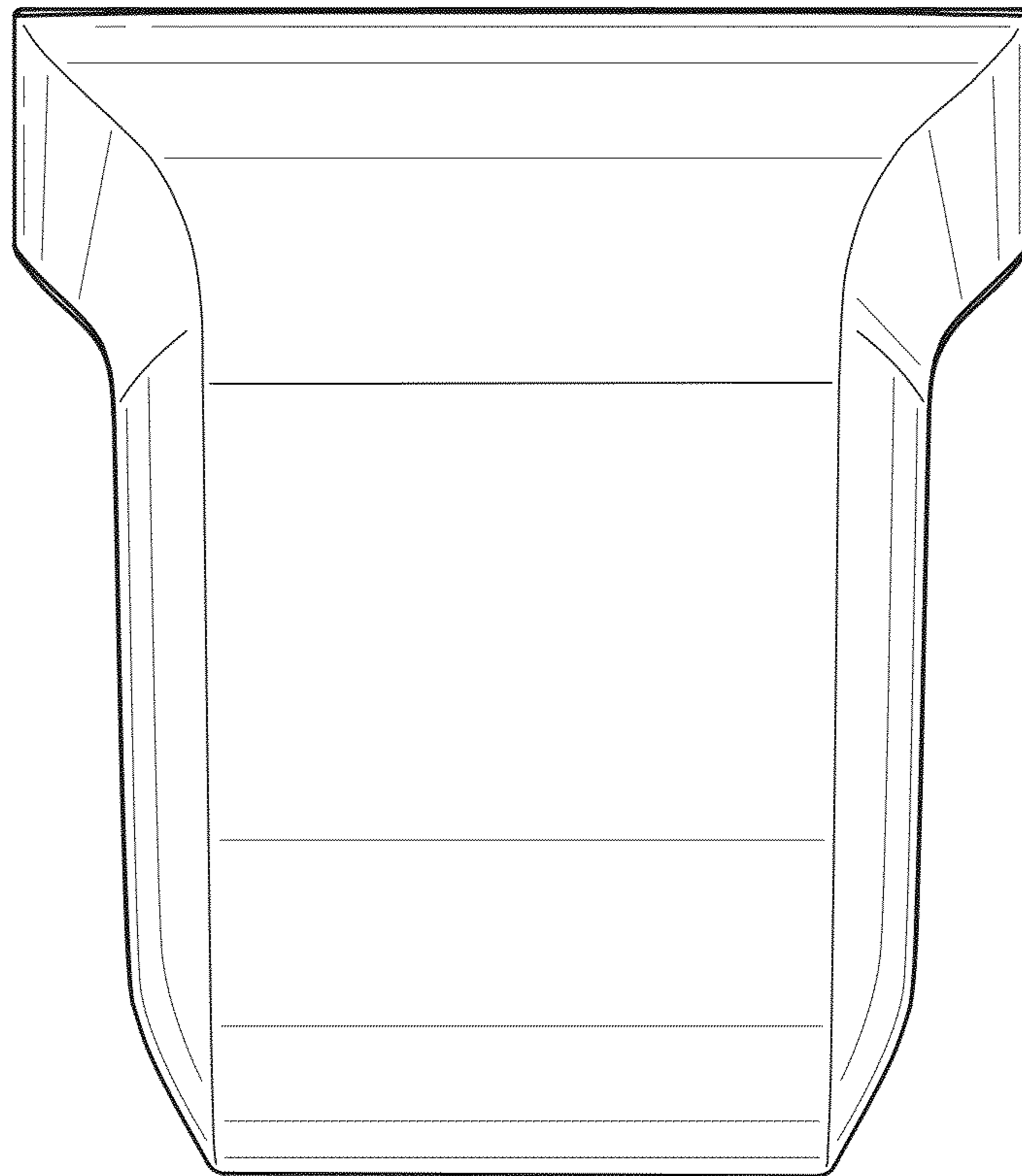


FIG. 7