

US00D730206S

(12) **United States Design Patent**
Silberberg

(10) **Patent No.:** **US D730,206 S**

(45) **Date of Patent:** **** May 26, 2015**

(54) **POST LEVEL**

(71) Applicant: **Mark L. Silberberg**, Fallbrook, CA
(US)

(72) Inventor: **Mark L. Silberberg**, Fallbrook, CA
(US)

(**) Term: **14 Years**

(21) Appl. No.: **29/491,196**

(22) Filed: **May 19, 2014**

(51) **LOC (10) Cl.** **10-04**

(52) **U.S. Cl.**
USPC **D10/69**

(58) **Field of Classification Search**
CPC G01C 9/00–9/36
USPC D10/69; 33/365, 366.11–366.27,
33/367–391

See application file for complete search history.

(56) **References Cited**

U.S. PATENT DOCUMENTS

4,473,957 A * 10/1984 Faulkner 33/666

* cited by examiner

Primary Examiner — Antoine D Davis

(74) *Attorney, Agent, or Firm* — James E. Brunton

(57) **CLAIM**

The ornamental design for a “post level”, as shown and described.

DESCRIPTION

FIG. 1 is a perspective view of a “post level” showing my new design;
FIG. 2 is a front view thereof;
FIG. 3 is a rear view thereof;
FIG. 4 is a left side view thereof;
FIG. 5 is a right side view thereof;
FIG. 6 is a top plan view thereof; and,
FIG. 7 is a bottom plan view thereof.

1 Claim, 2 Drawing Sheets

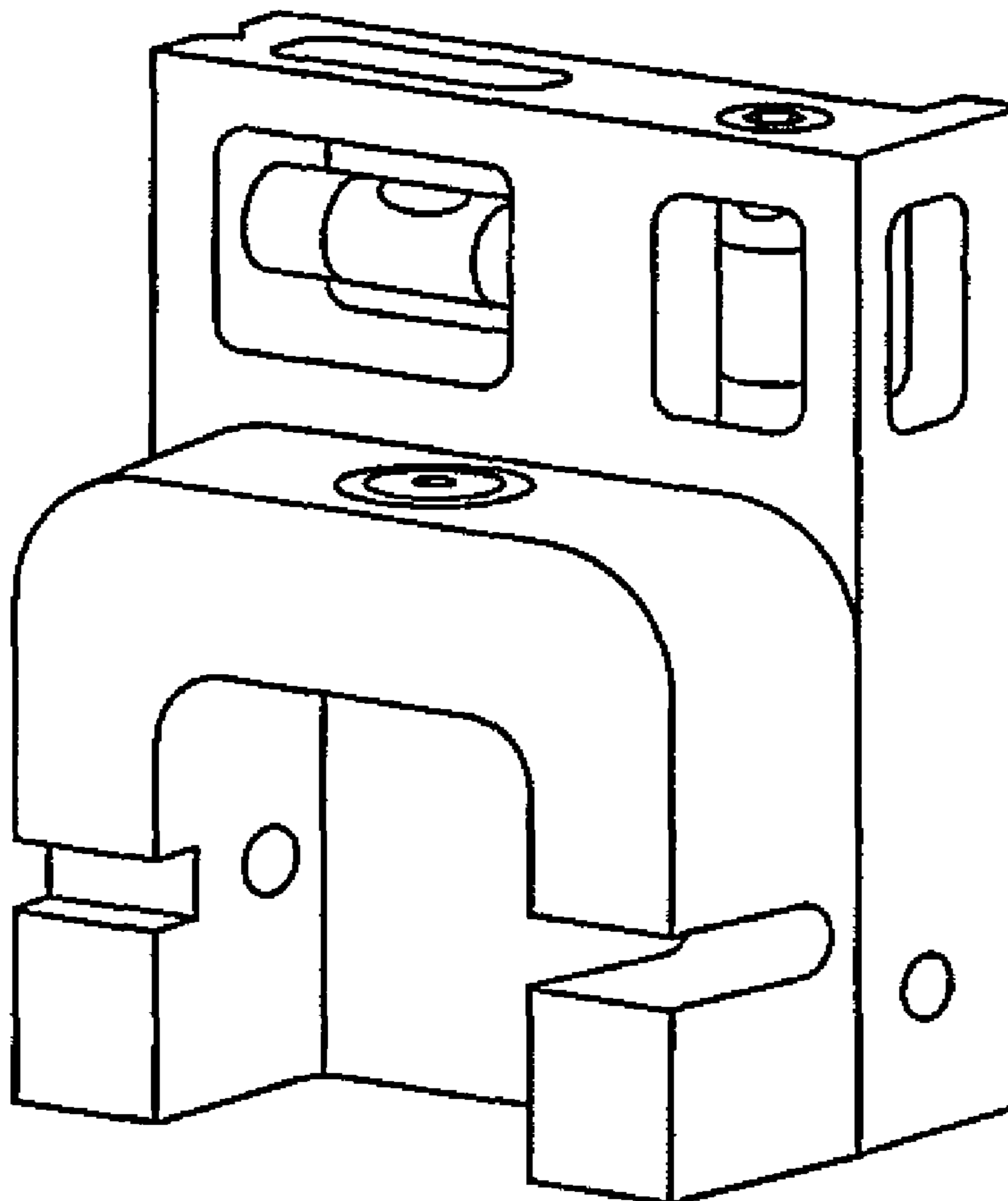


Fig. 1

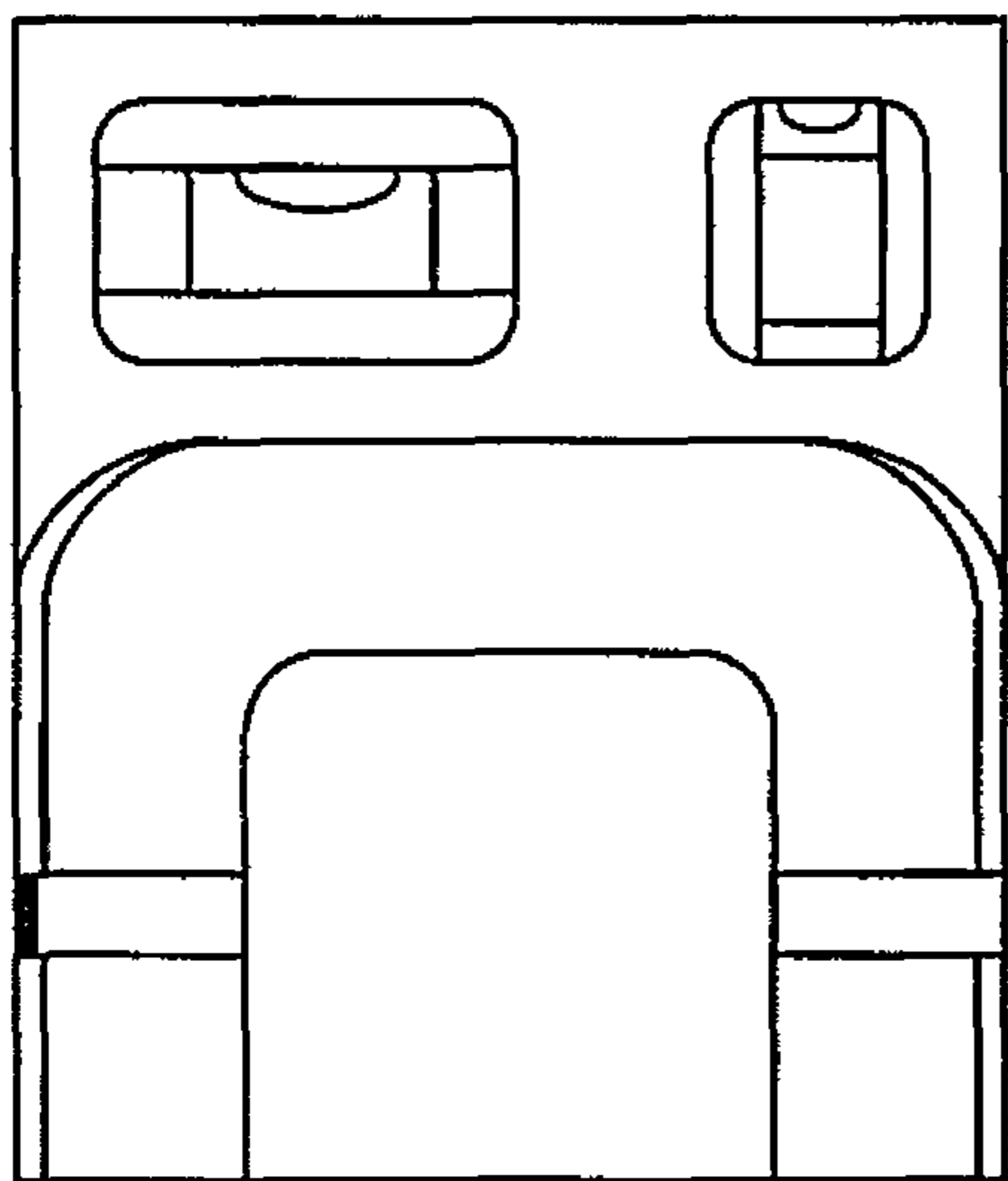
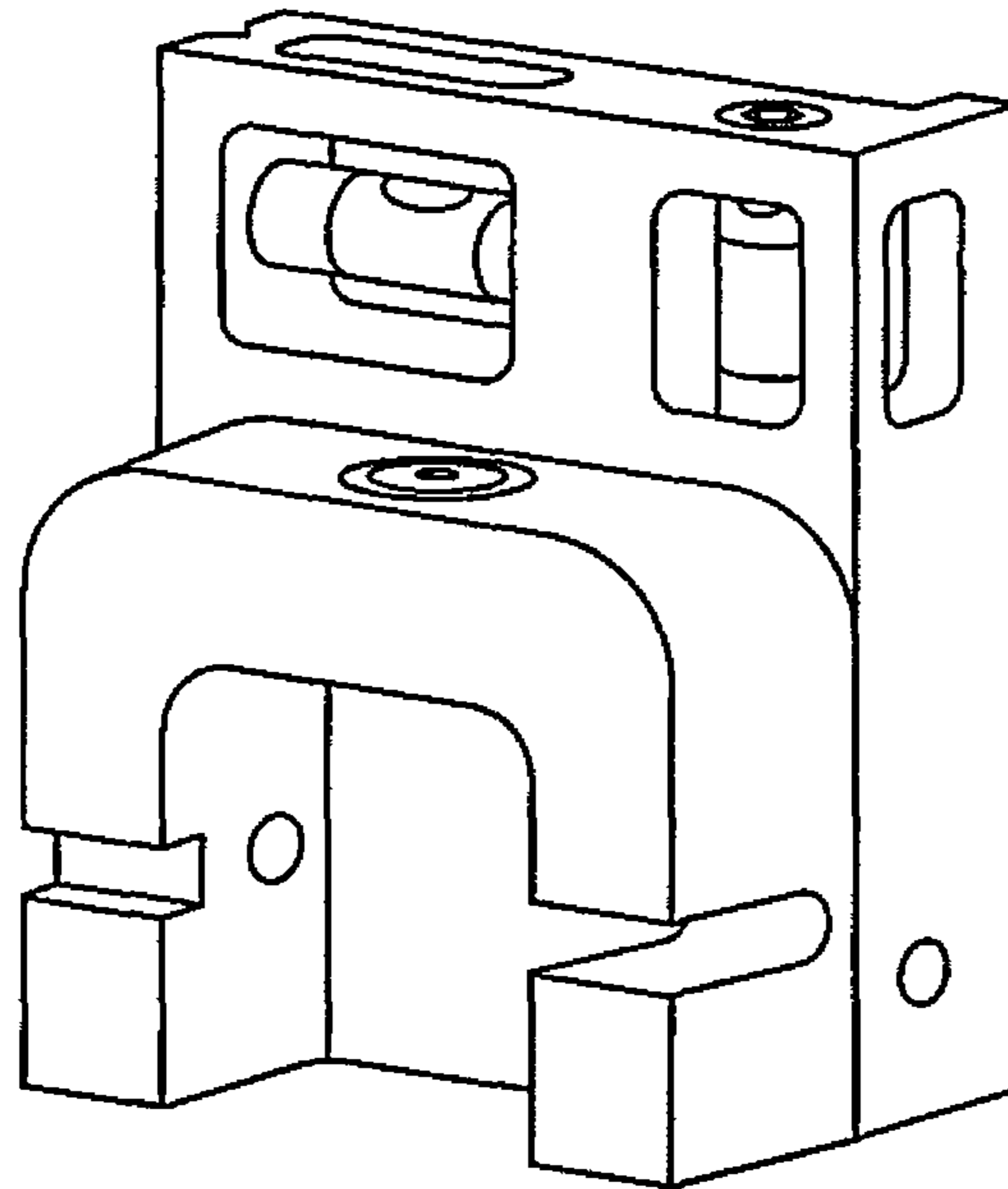


Fig. 2

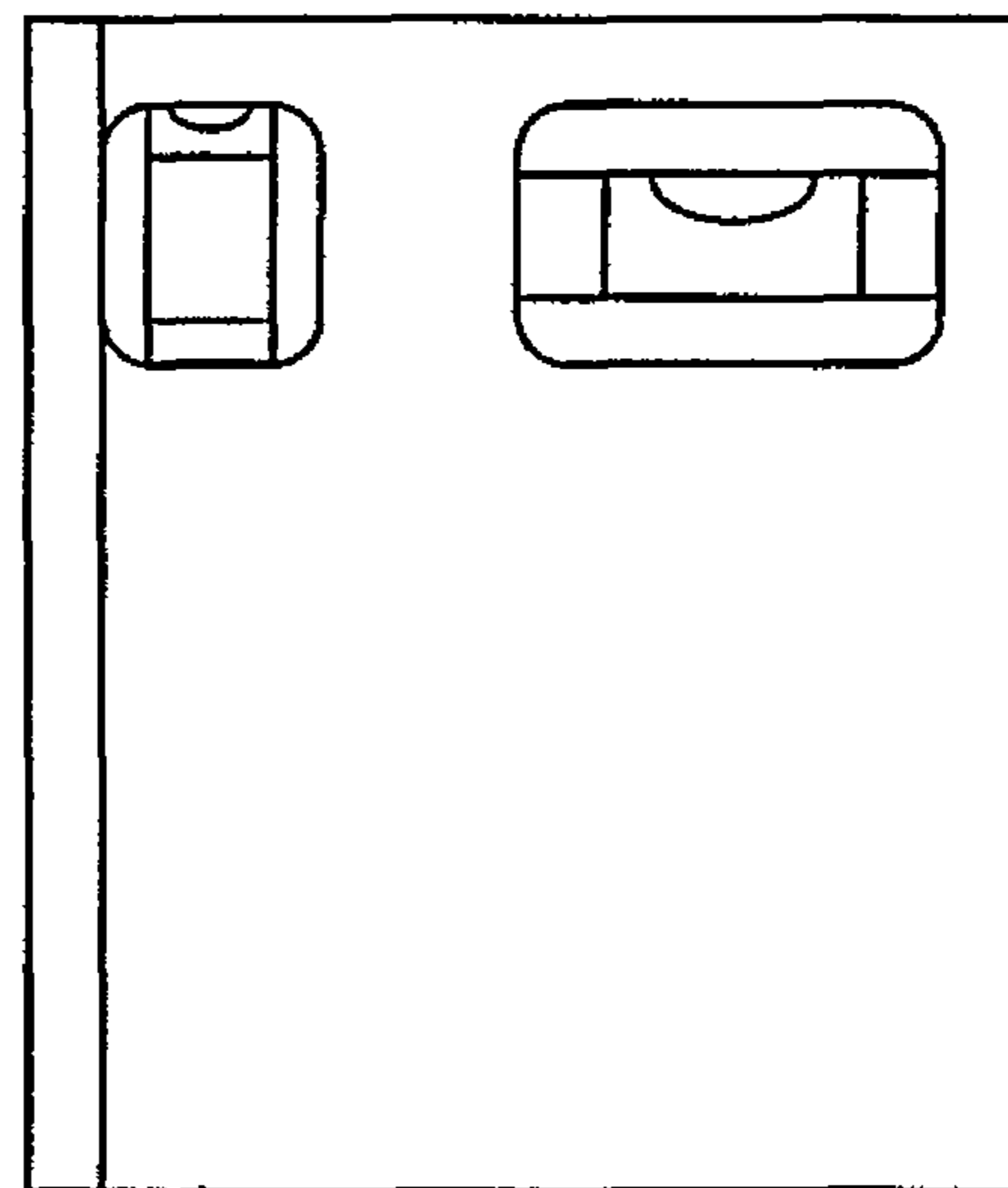


Fig. 3

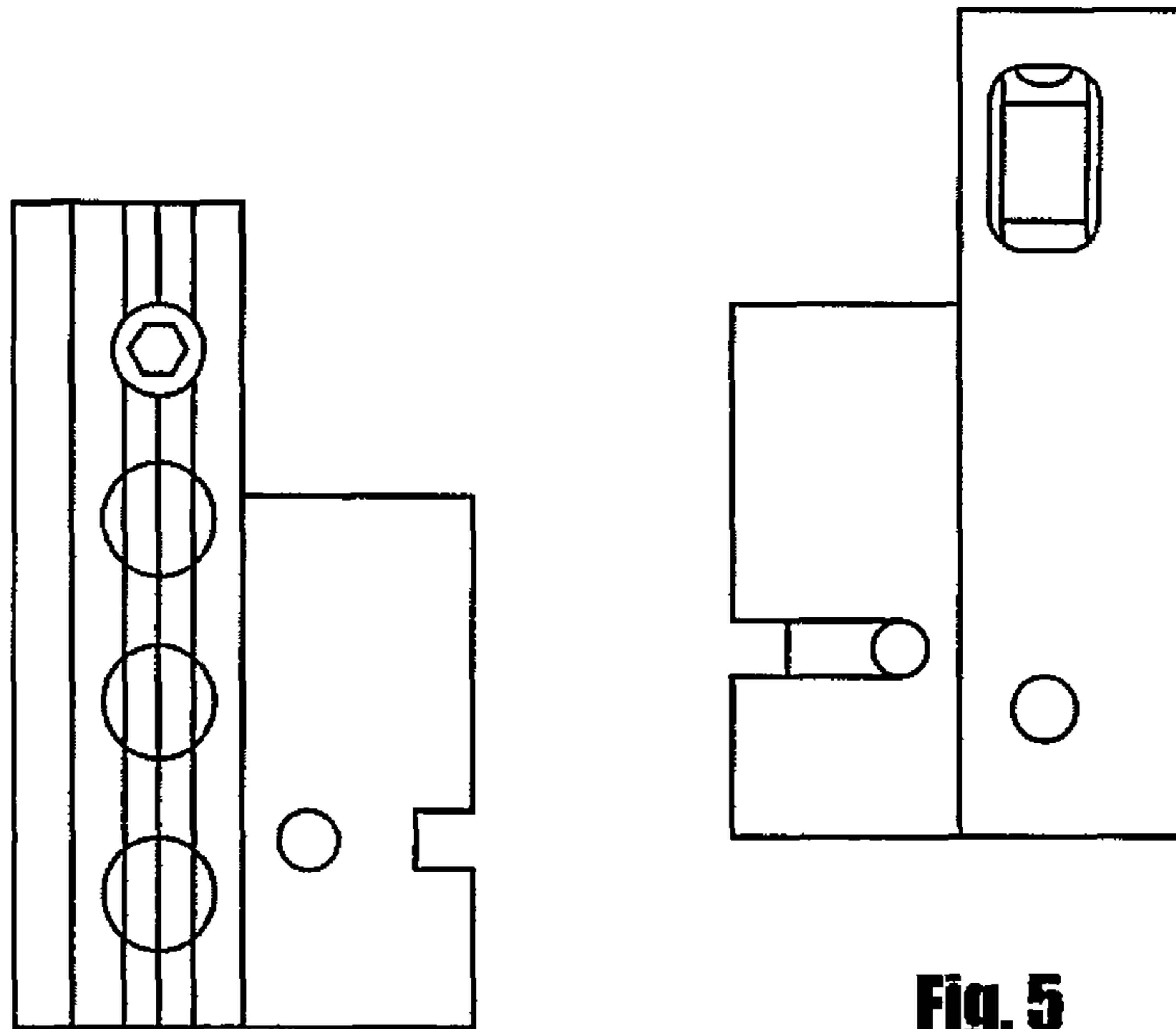


Fig. 4

Fig. 5

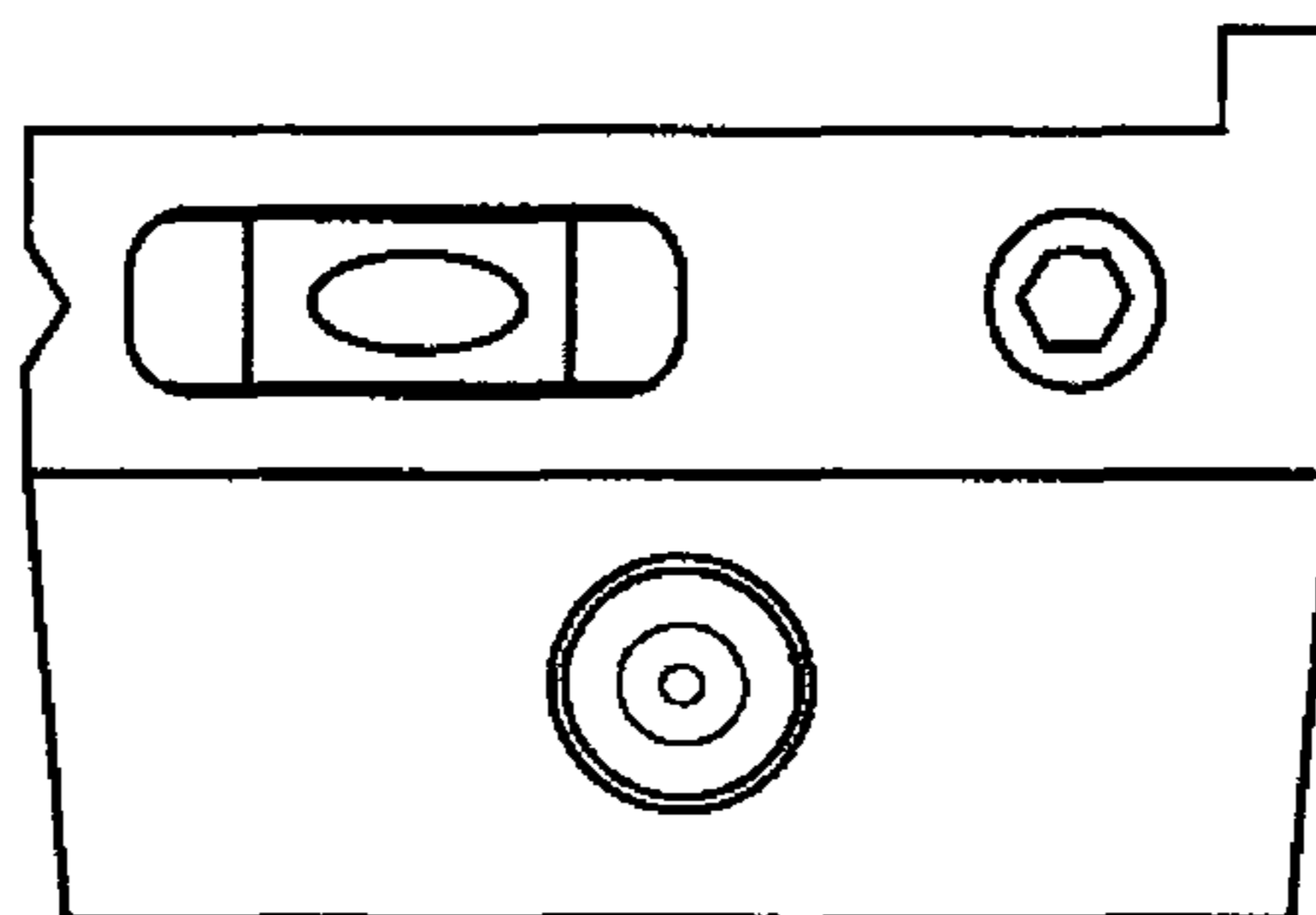


Fig. 6

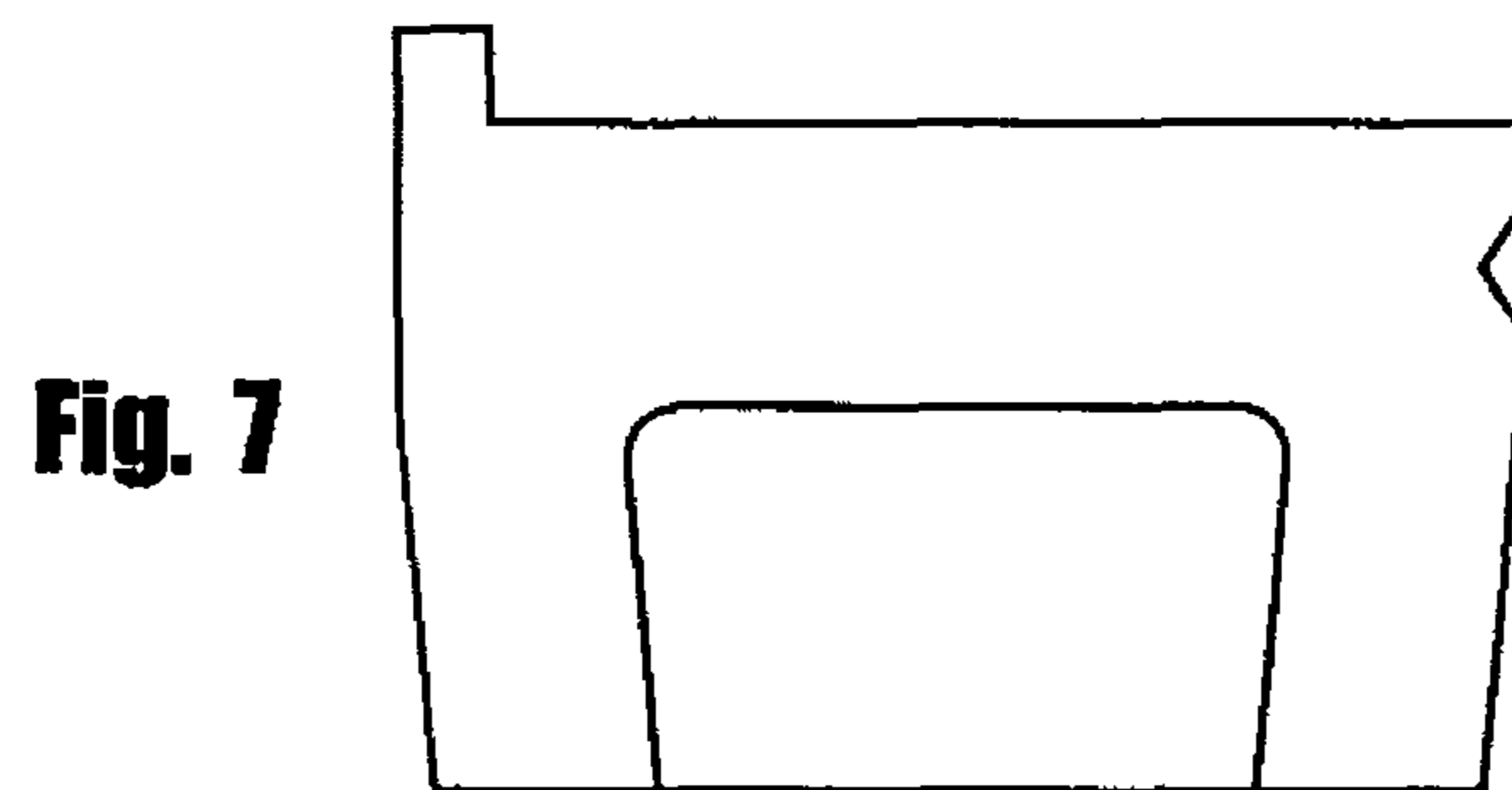


Fig. 7