



US00D730203S

(12) **United States Design Patent**
Dayan

(10) **Patent No.:** **US D730,203 S**

(45) **Date of Patent:** **** May 26, 2015**

(54) **FLOATING THERMOMETER AND A PORTION THEREOF**

(71) Applicant: **Clear Innovation LLC**, New York, NY (US)

(72) Inventor: **Maurice S. Dayan**, Oakhurst, NJ (US)

(73) Assignee: **CLEAR INNOVATION LLC**

(**) Term: **14 Years**

(21) Appl. No.: **29/490,017**

(22) Filed: **May 6, 2014**

(51) **LOC (10) Cl.** **10-04**

(52) **U.S. Cl.**
USPC **D10/57; D10/58**

(58) **Field of Classification Search**

CPC G01J 5/061; G01J 5/0843; G01J 5/0846;
G01J 5/0859; G01J 5/089; G01J 5/0896;
G01J 5/048; G01J 5/16; G01J 5/522; G01J
5/0205; G01J 5/0887; G01J 5/0003; G01J
5/0275; G01J 5/084; G01J 5/0834; G01J 5/12;
G01J 5/14
USPC D10/57, 58; 374/1-209,
374/E1.011-E1.017; 600/474, 549

See application file for complete search history.

(56) **References Cited**

U.S. PATENT DOCUMENTS

3,961,531 A *	6/1976	Peng	374/208
D312,975 S *	12/1990	Scheurer	D10/57
D377,610 S *	1/1997	Liang	D10/58
D449,239 S *	10/2001	Kern	D10/57
D522,388 S *	6/2006	Vu	D10/57
D564,373 S *	3/2008	Yu et al.	D10/57
D564,916 S *	3/2008	Yu et al.	D10/57
D564,918 S *	3/2008	Yu et al.	D10/57
D567,682 S *	4/2008	Yu et al.	D10/57
D652,749 S *	1/2012	Vidal et al.	D10/57

* cited by examiner

Primary Examiner — Antoine D Davis

(74) *Attorney, Agent, or Firm* — The Belles Group, P.C.

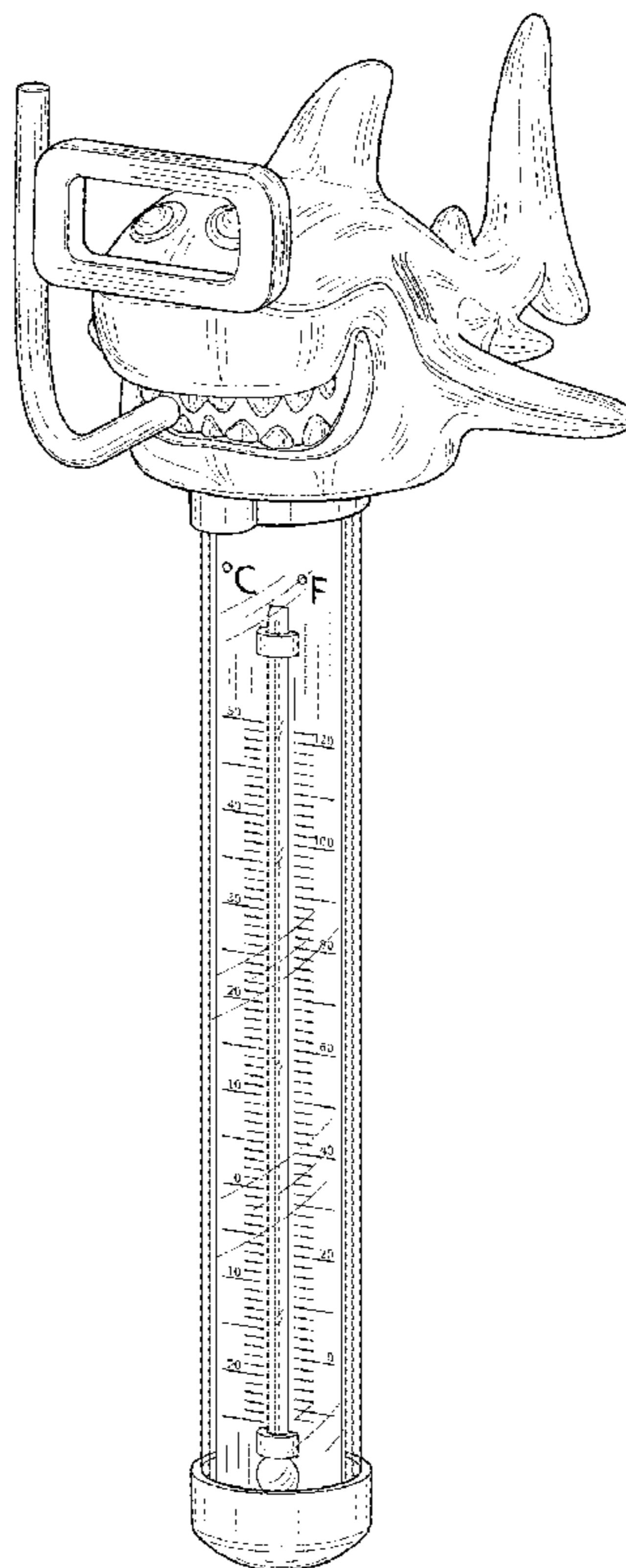
(57) **CLAIM**

The ornamental design for a floating thermometer and a portion thereof, as shown and described.

DESCRIPTION

FIG. 1 is a front right perspective view of a floating thermometer according to a first embodiment of the new design; FIG. 2 is a front view thereof; FIG. 3 is a rear view thereof; FIG. 4 is a right side view thereof; FIG. 5 is a left side view thereof; FIG. 6 is a top view thereof; and, FIG. 7 is a bottom view thereof.

1 Claim, 7 Drawing Sheets



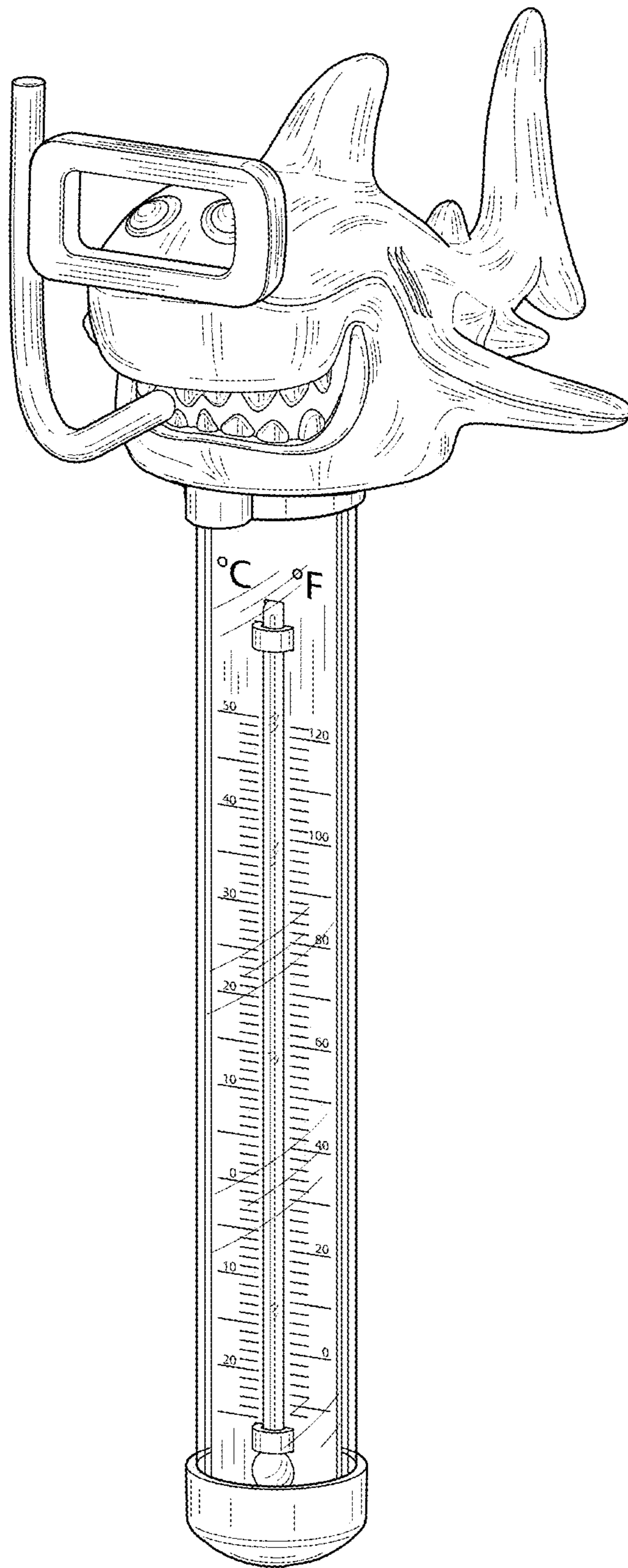


FIG. 1

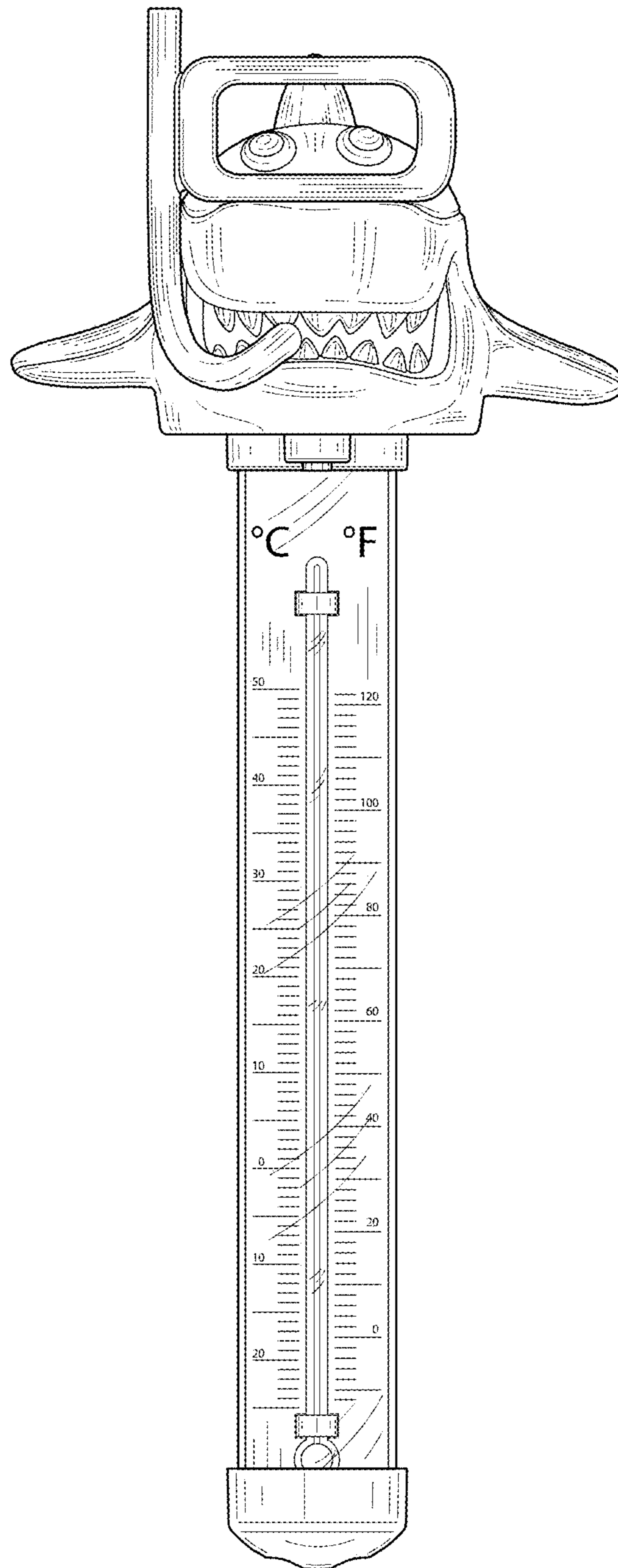


FIG. 2

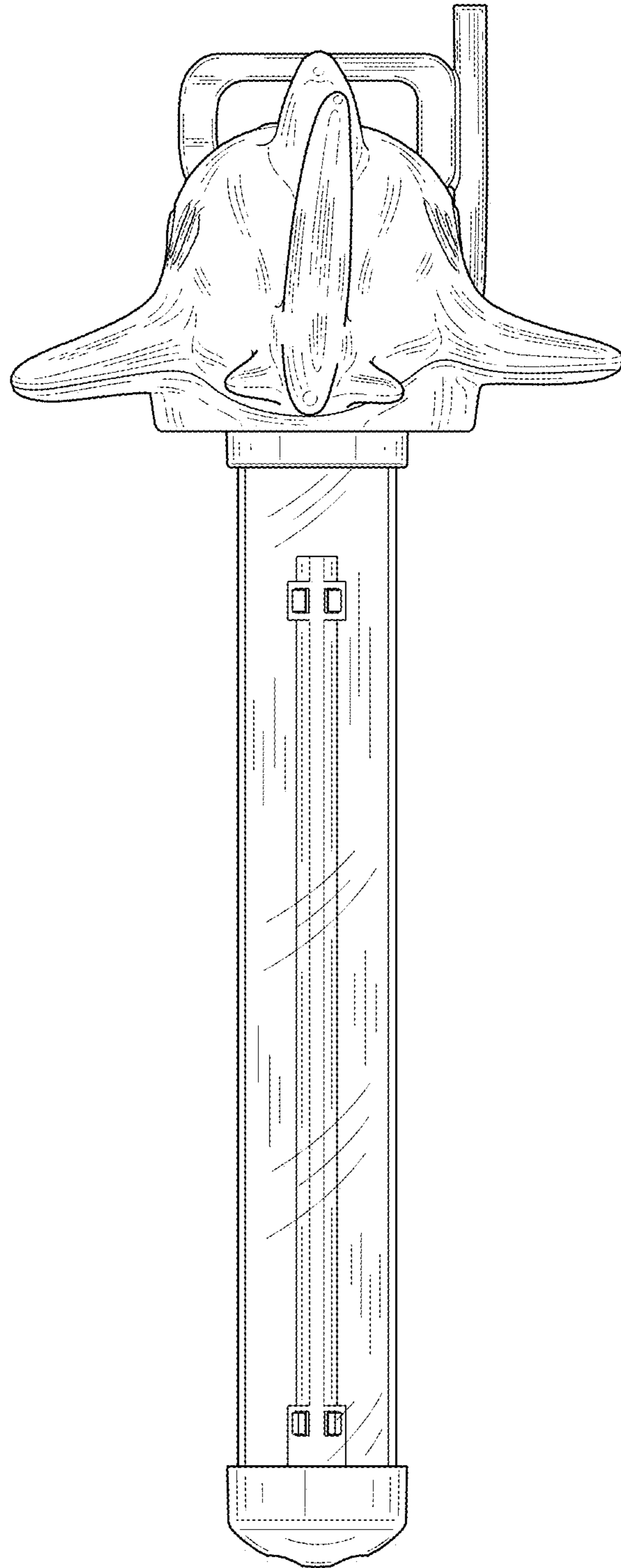


FIG. 3

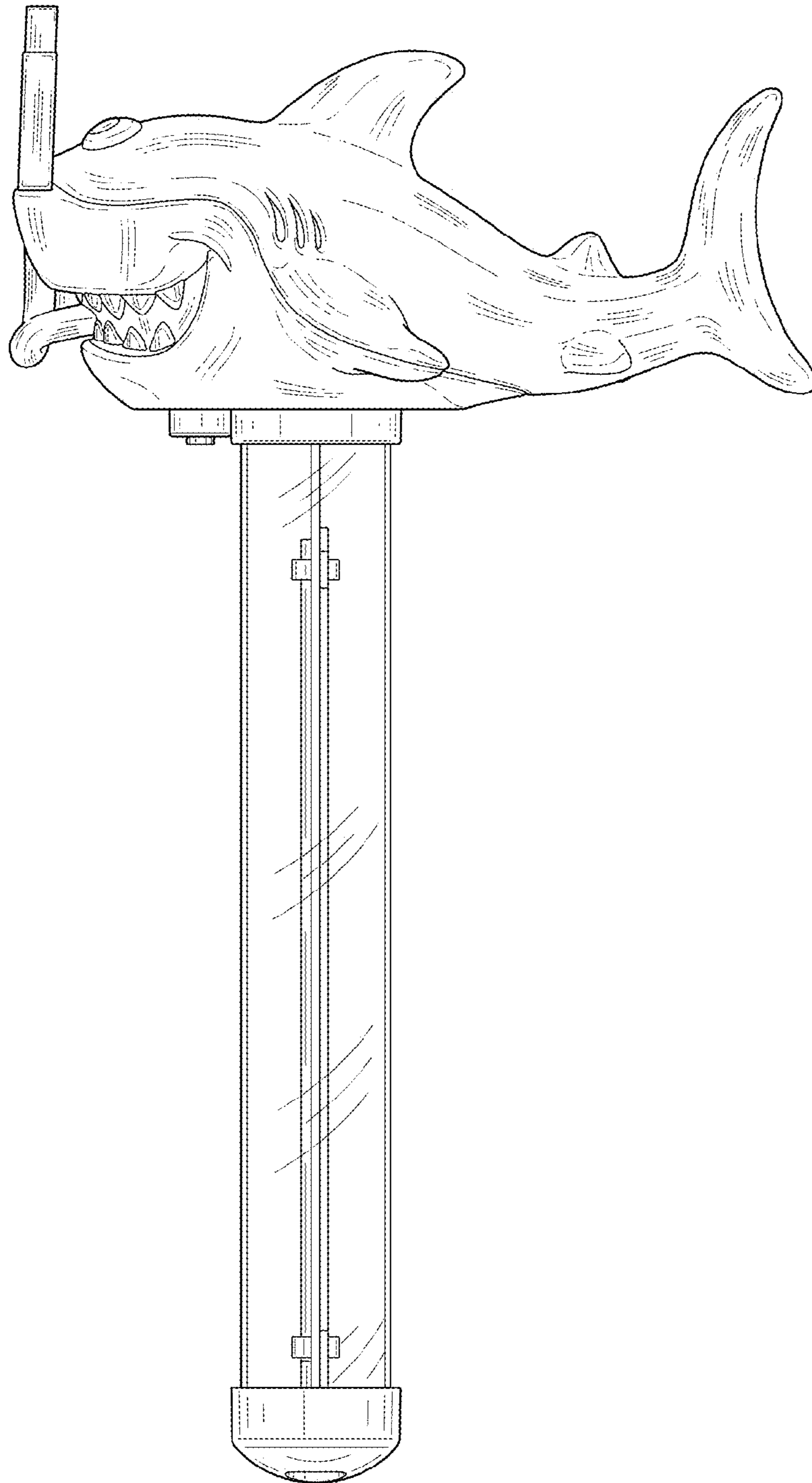


FIG. 4

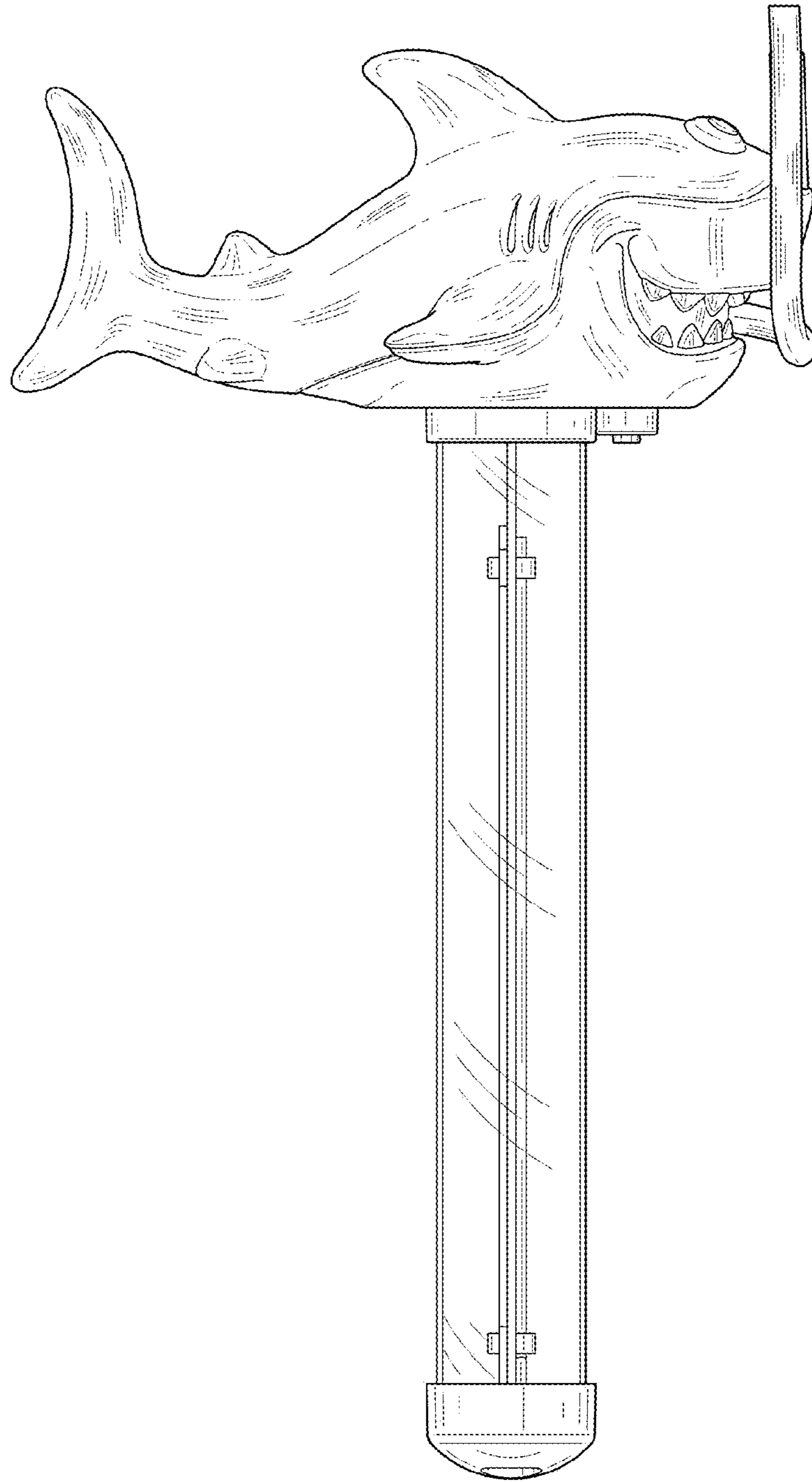


FIG. 5

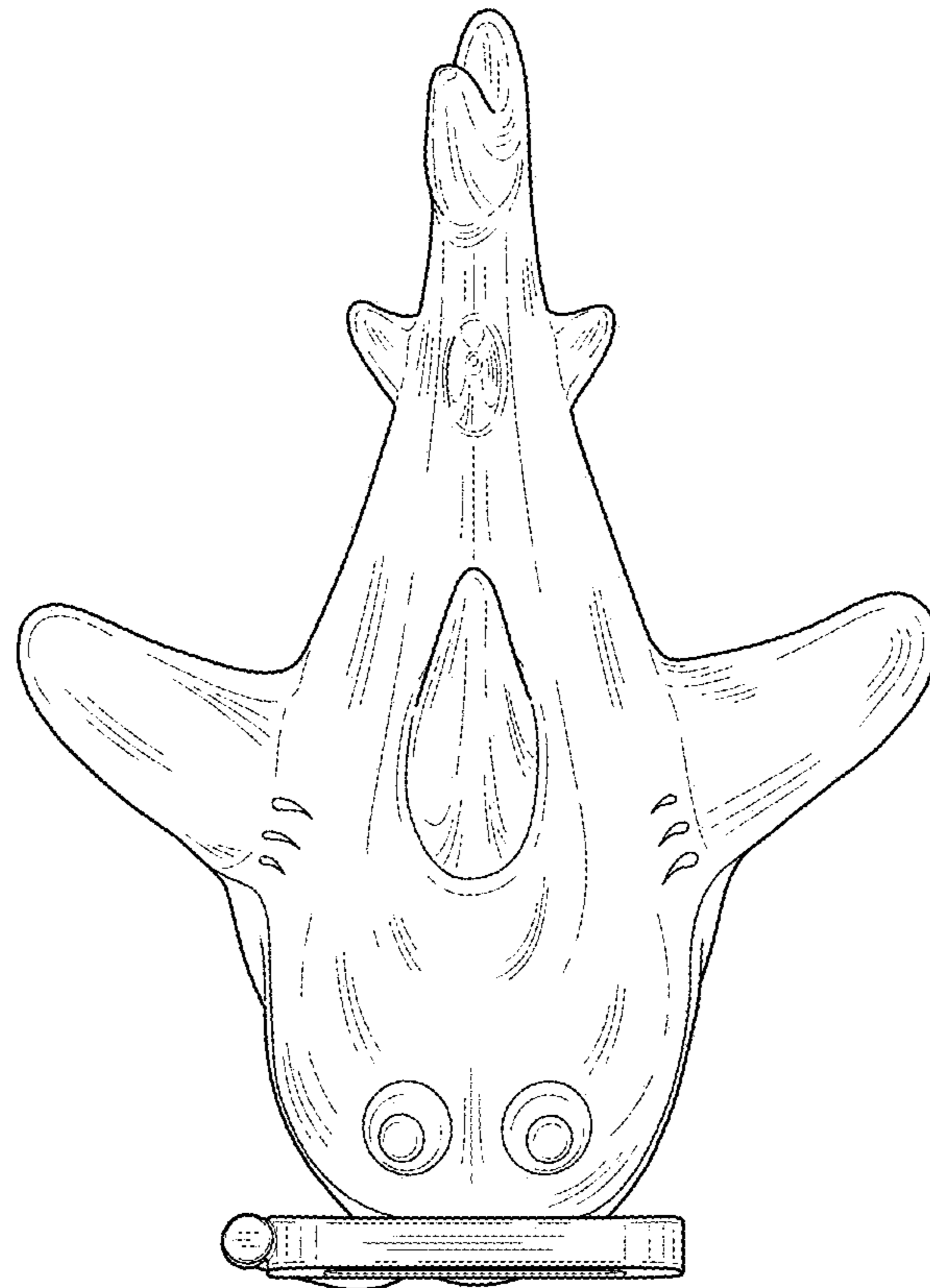


FIG. 6

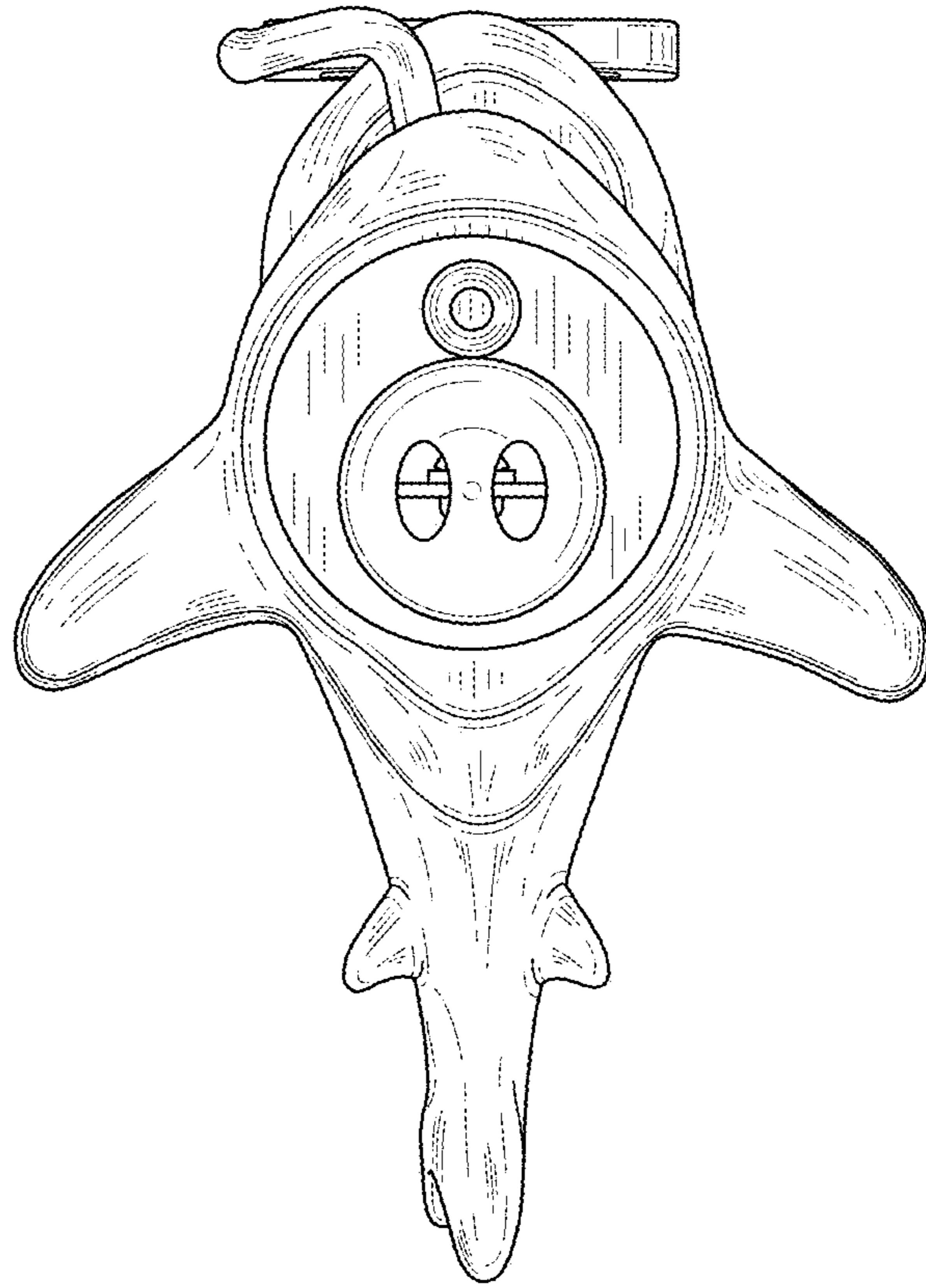


FIG. 7