



US00D730199S

(12) **United States Design Patent**
Gerard-Goddet

(10) **Patent No.:** **US D730,199 S**

(45) **Date of Patent:** **** May 26, 2015**

(54) **WATCH**

(71) Applicant: **Matthieu Gabriel Marie**
Gerard-Goddet, Taipei (TW)

(72) Inventor: **Matthieu Gabriel Marie**
Gerard-Goddet, Taipei (TW)

(73) Assignee: **MITAC INTERNATIONAL CORP.,**
Kuei-Shan Hsiang, Tao-Yuan Hsien
(TW)

(**) Term: **14 Years**

(21) Appl. No.: **29/441,692**

(22) Filed: **Jan. 9, 2013**

(51) **LOC (10) Cl.** **10-02**

(52) **U.S. Cl.**
USPC **D10/32**

(58) **Field of Classification Search**
CPC G04B 37/0008; G04B 37/0058; G04B
37/18; G04G 17/08
USPC D10/30-39; 368/276, 281, 282, 285,
368/288, 289, 290, 301, 306, 308, 316,
368/318; D24/167; D14/344; D11/3;
224/164

See application file for complete search history.

(56) **References Cited**

U.S. PATENT DOCUMENTS

4,855,942	A *	8/1989	Bianco	702/160
D331,020	S *	11/1992	Ishii et al.	D10/31
D331,021	S *	11/1992	Ishii et al.	D10/31
D355,610	S *	2/1995	Sugita	D10/31
D355,614	S *	2/1995	Sato	D10/39
D355,858	S *	2/1995	Sugita	D10/31
D361,042	S *	8/1995	Nanayakkara	D10/31
5,768,217	A *	6/1998	Sonoda et al.	368/10
D417,159	S *	11/1999	Sugisawa	D10/30

D452,005	S *	12/2001	Rantala	D24/165
D452,006	S *	12/2001	Komulainen	D24/167
D454,506	S *	3/2002	Sato	D10/32
D536,265	S *	2/2007	Reynoso	D10/31
D549,602	S *	8/2007	Oberrieder et al.	D10/65
7,263,461	B2 *	8/2007	Sugai	702/150
D550,101	S *	9/2007	Umebayashi et al.	D10/32
D564,366	S *	3/2008	Yeh et al.	D10/30
D564,367	S *	3/2008	Molyneux	D10/31
D596,510	S *	7/2009	Register et al.	D10/38
D602,386	S *	10/2009	Ueda et al.	D10/98
7,828,697	B1 *	11/2010	Oberrieder et al.	482/8
D628,498	S *	12/2010	Arellano	D10/38
D637,918	S *	5/2011	Cobbett et al.	D10/31
8,050,716	B2 *	11/2011	Shin et al.	455/558
8,059,491	B1 *	11/2011	Hennings-Kampa	368/14
8,088,043	B2 *	1/2012	Andren et al.	482/8
D660,726	S *	5/2012	Register et al.	D10/38
8,562,489	B2 *	10/2013	Burton et al.	482/9
D693,251	S *	11/2013	Anderssen et al.	D10/70
8,698,680	B2 *	4/2014	Gutschenritter et al.	343/718
2008/0112270	A1 *	5/2008	Yeh et al.	368/14
2011/0012796	A1 *	1/2011	Kim et al.	343/702
2013/0242709	A1 *	9/2013	Chan	368/10

* cited by examiner

Primary Examiner — Lucy Lieberman

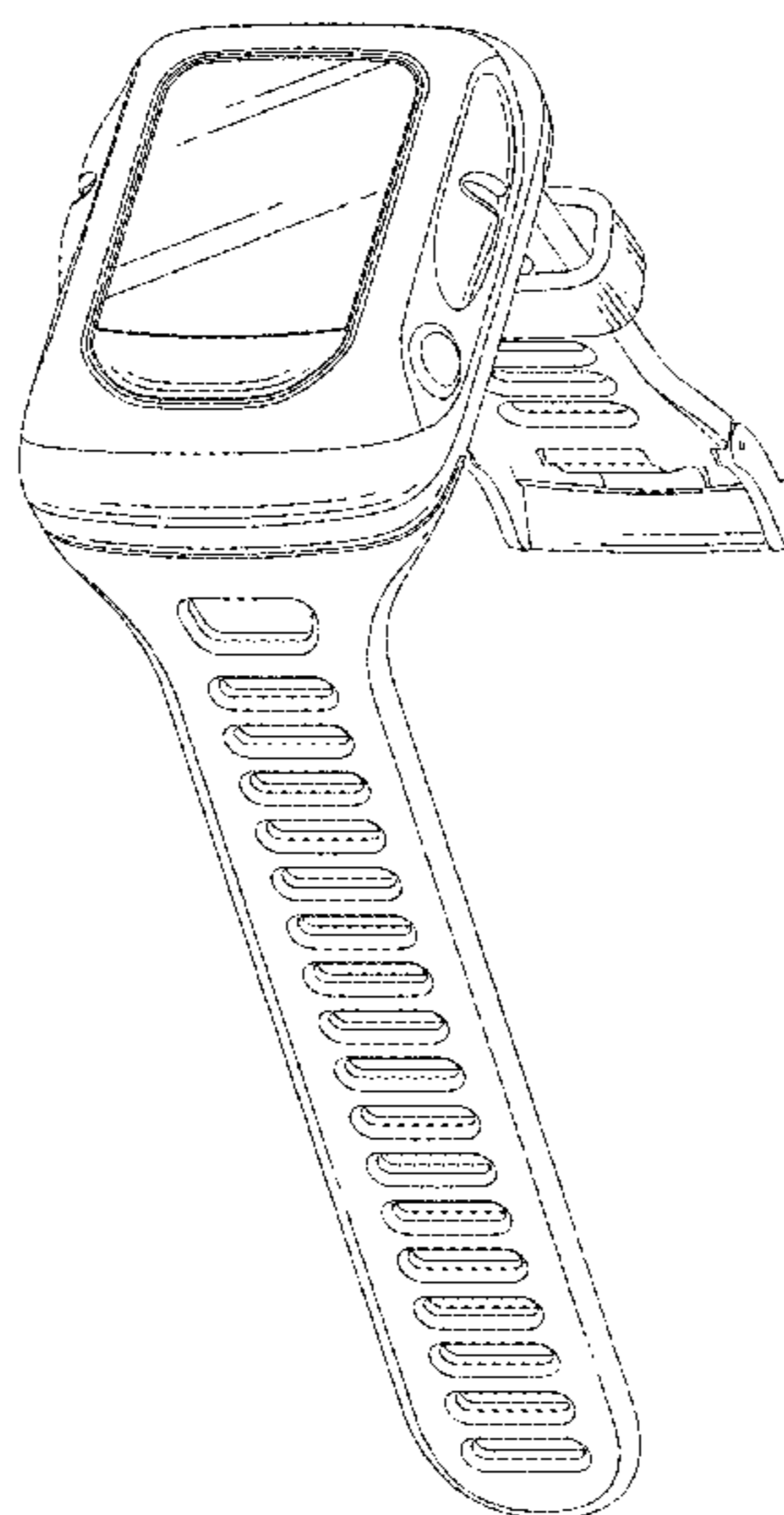
(74) *Attorney, Agent, or Firm* — Winston Hsu; Scott Margo

(57) **CLAIM**
The ornamental design for a watch, as shown.

DESCRIPTION

FIG. 1 is a top elevational view of the watch;
FIG. 2 is a bottom elevational view thereof;
FIG. 3 is a left side elevational view thereof;
FIG. 4 is a right side elevational view thereof;
FIG. 5 is a rear elevational view thereof;
FIG. 6 is a front elevational view thereof;
FIG. 7 is an upper perspective view thereof; and,
FIG. 8 is a lower perspective view thereof.

1 Claim, 8 Drawing Sheets



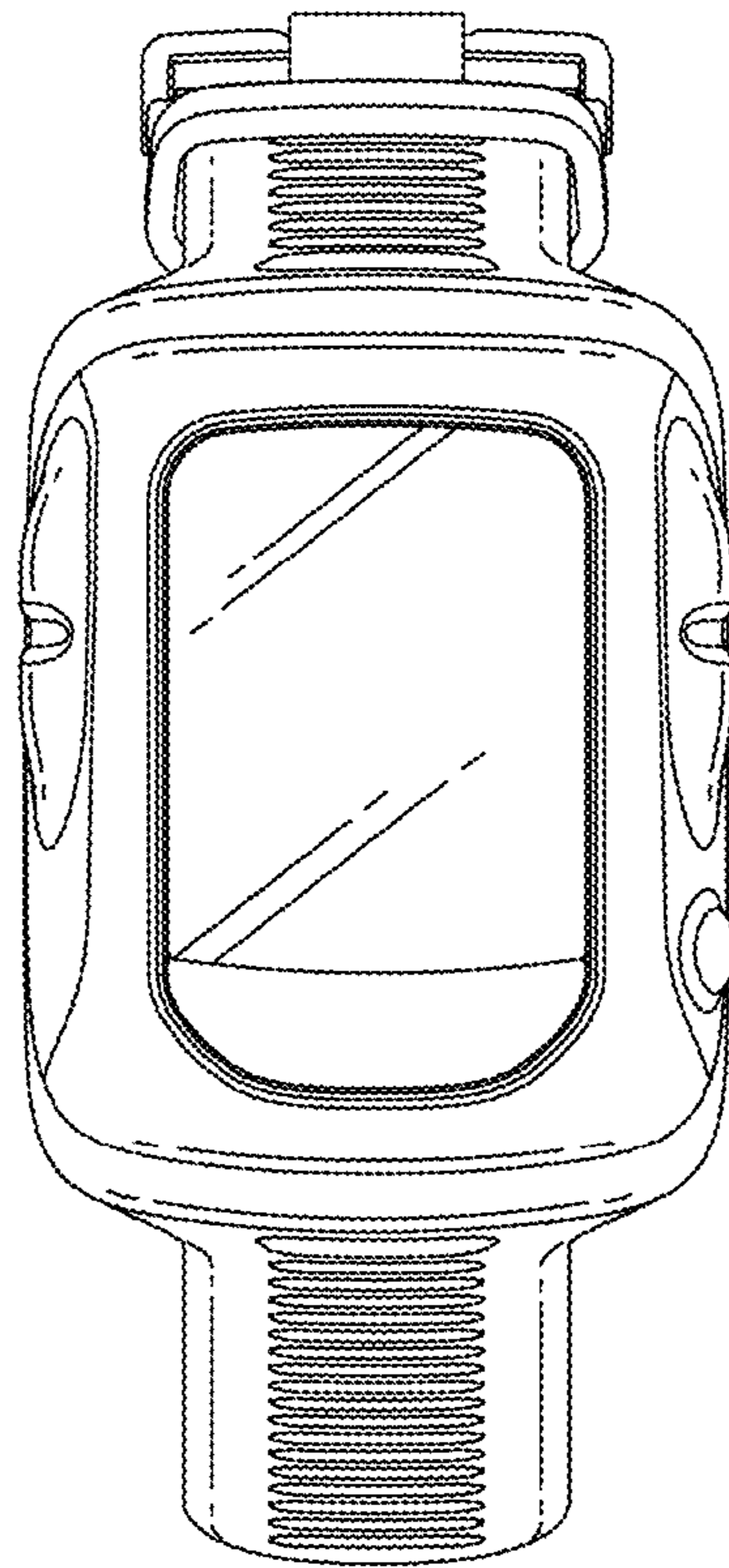


FIG. 1

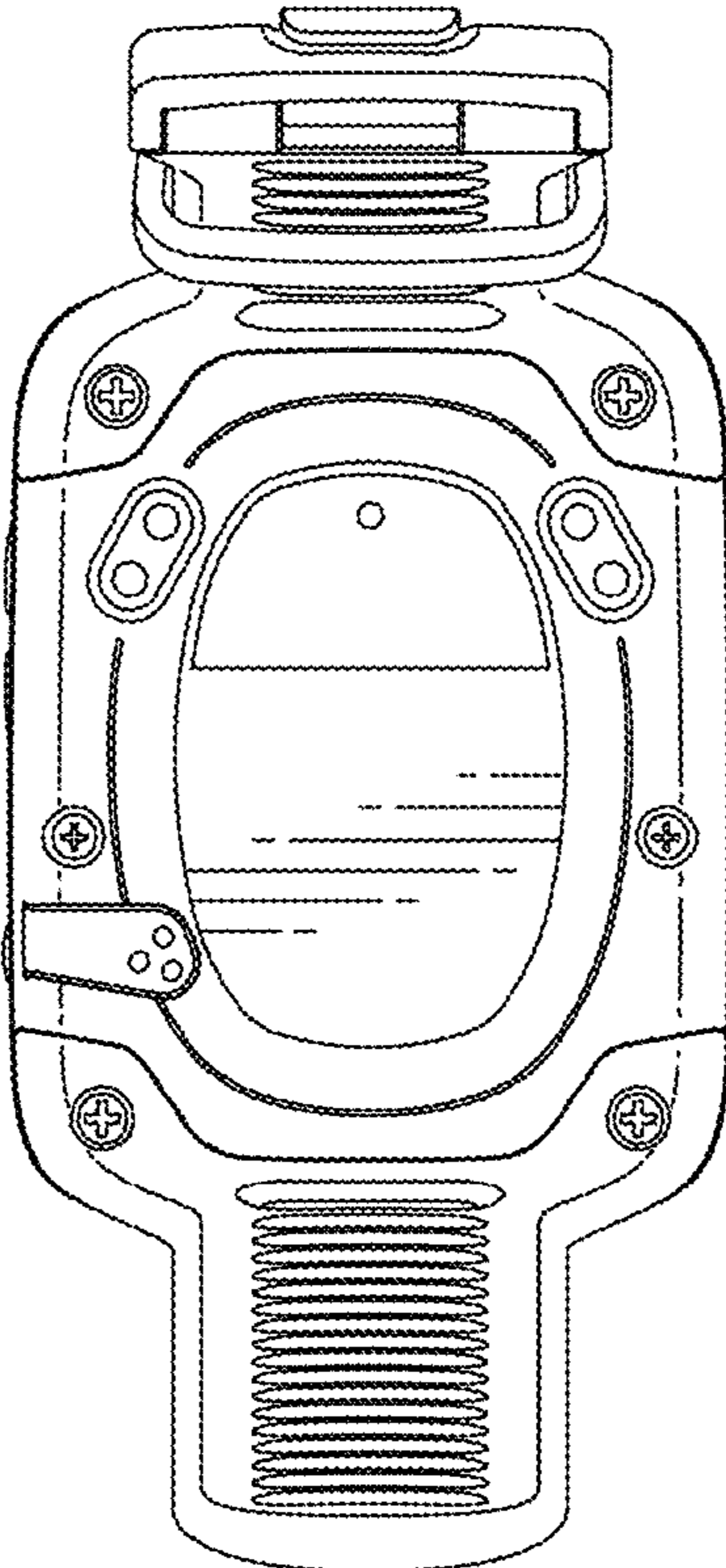


FIG. 2

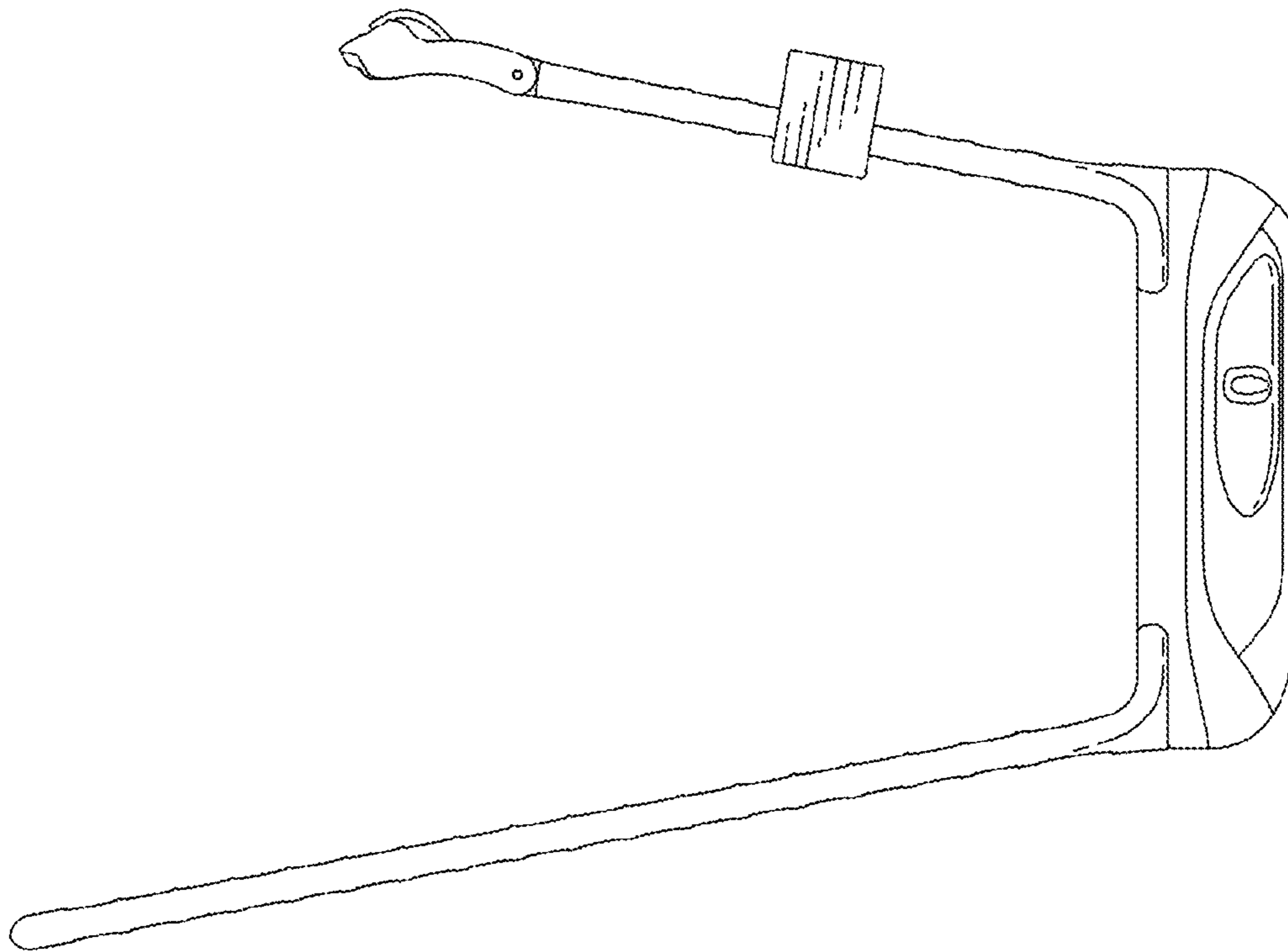


FIG. 3

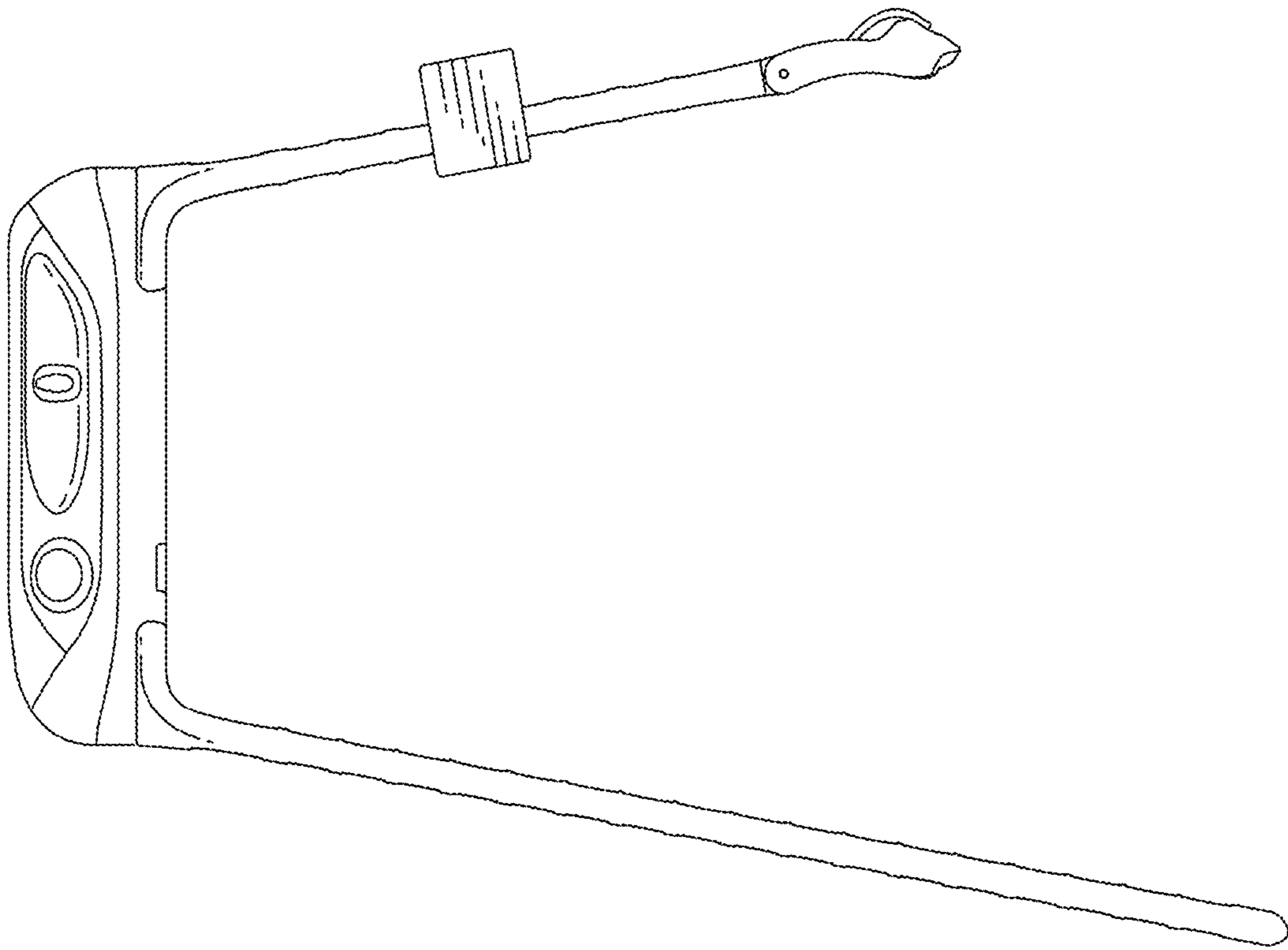


FIG. 4

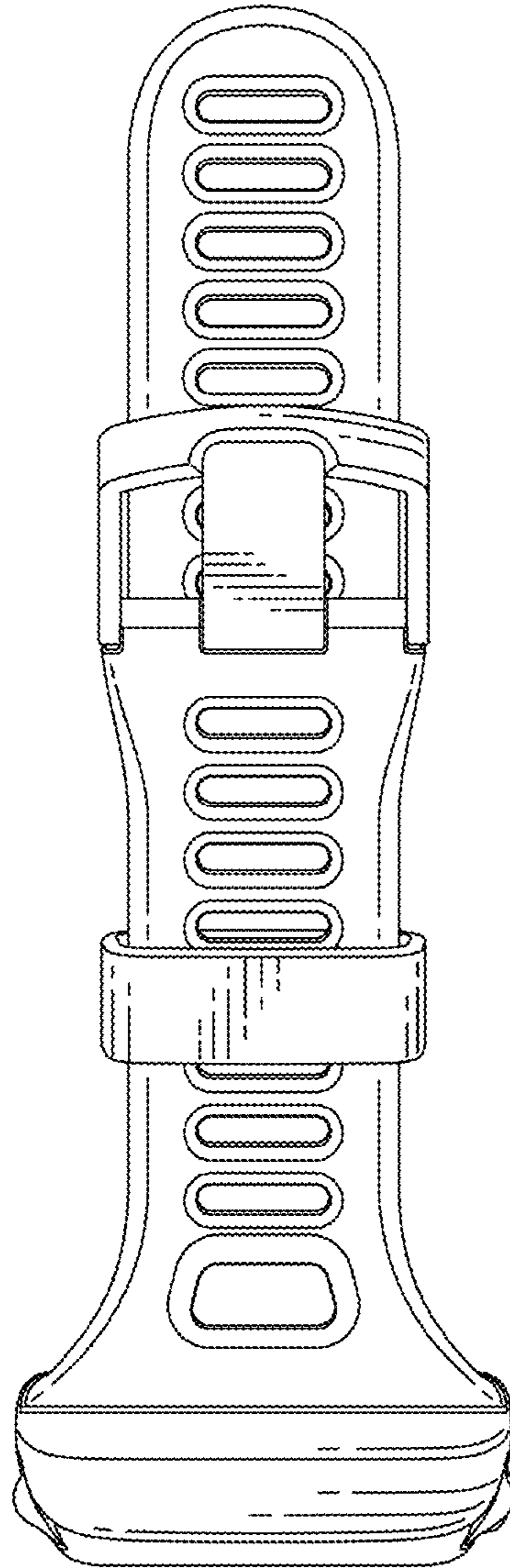


FIG. 5

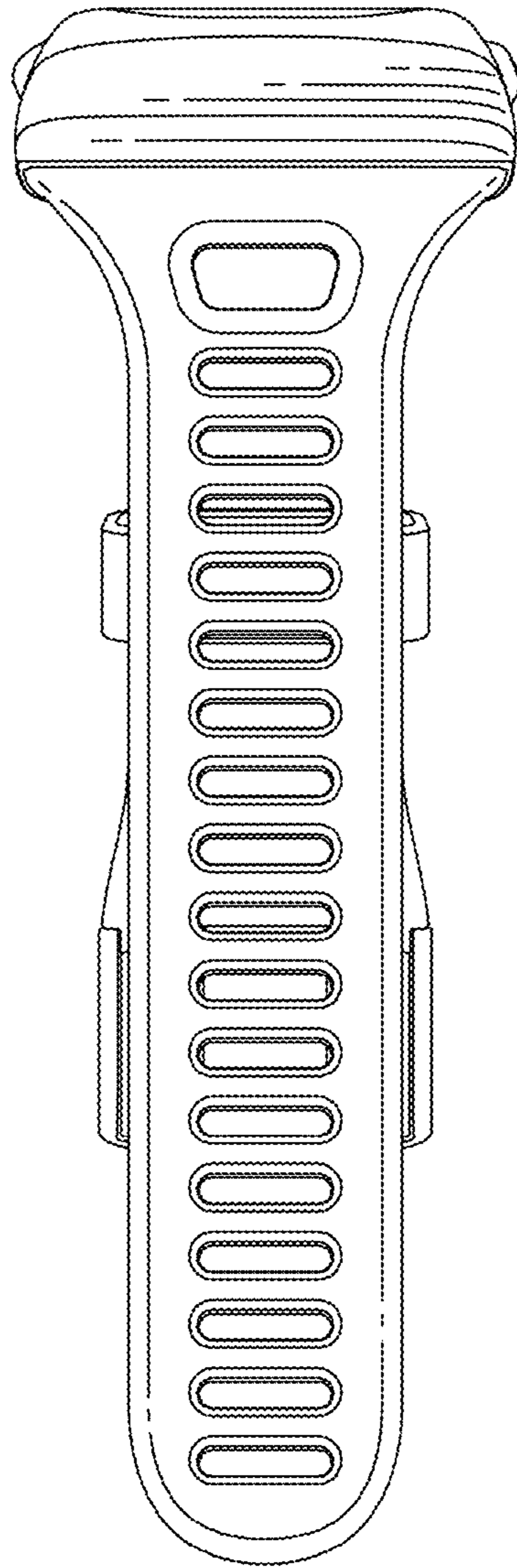


FIG. 6

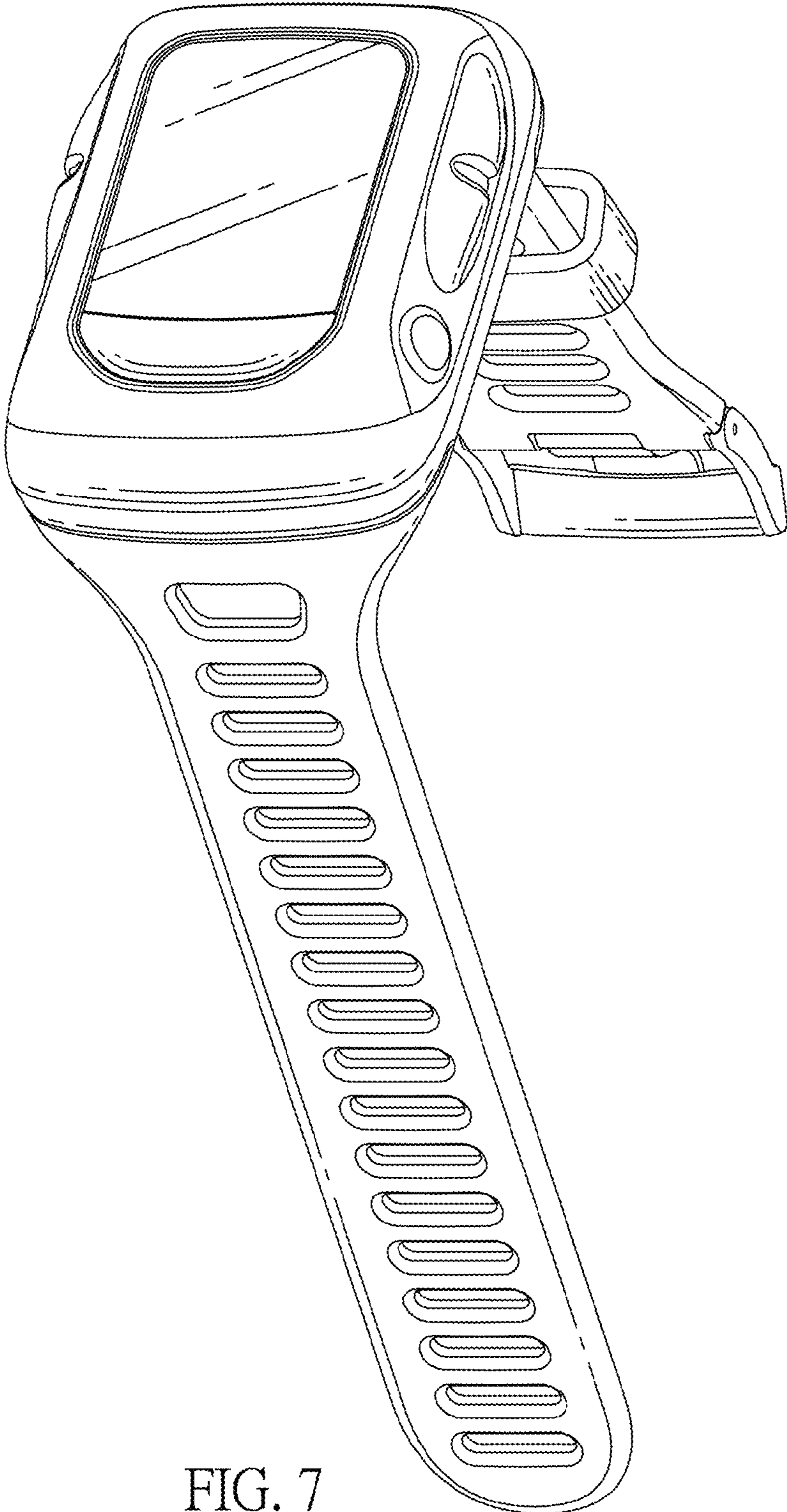


FIG. 7

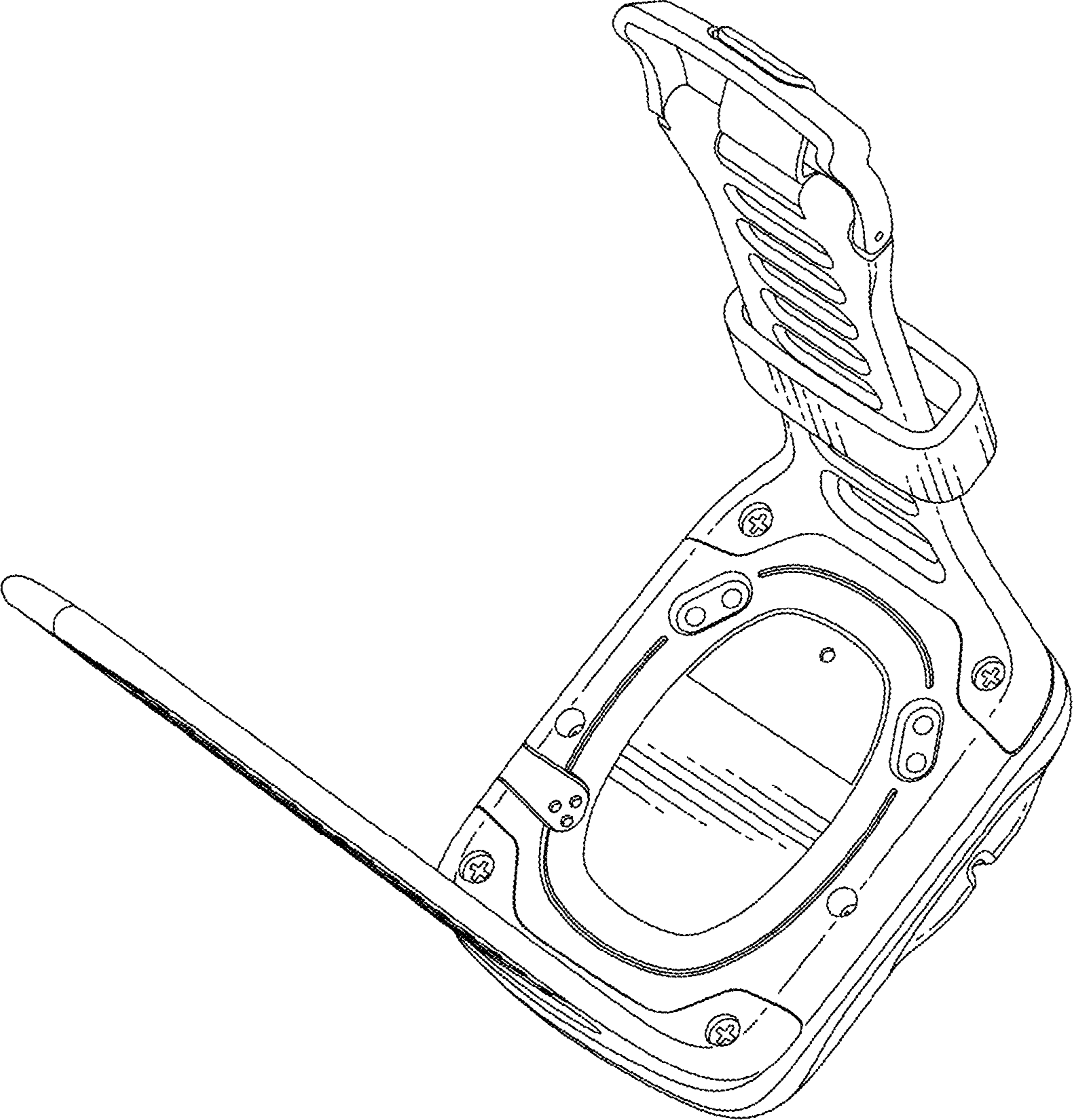


FIG. 8