



US00D730196S

(12) **United States Design Patent**  
**Berger et al.**

(10) **Patent No.:** **US D730,196 S**  
(45) **Date of Patent:** **\*\* May 26, 2015**

(54) **WIPING SUBSTRATE DISPENSER**

(71) Applicant: **Kimberly-Clark Worldwide, Inc.**,  
Neenah, WI (US)

(72) Inventors: **Maggie VanderHeiden Berger**,  
Appleton, WI (US); **Jason Robert Boon**,  
Appleton, WI (US); **Kevin Christopher Possell**,  
Middleton, WI (US)

(\*\*) Term: **14 Years**

(21) Appl. No.: **29/486,272**

(22) Filed: **Mar. 27, 2014**

**Related U.S. Application Data**

(62) Division of application No. 29/446,241, filed on Feb. 21, 2013, now Pat. No. Des. 705,081.

(51) **LOC (10) Cl.** ..... **09-01**

(52) **U.S. Cl.**  
USPC ..... **D9/734**

(58) **Field of Classification Search**

USPC ..... D9/734, 414, 416, 420, 423, 424, 425,  
D9/428, 432, 494, 501, 503, 529, 537, 564,  
D9/730; D7/507, 511, 538, 584, 586, 587,  
D7/589, 591, 597, 601, 602; D3/202;  
206/225, 233, 389, 391, 440, 441, 438,  
206/486, 489, 494, 499, 581, 804;  
D6/515-523; 221/26, 33, 45, 63;  
D28/73, 76, 82, 83; 220/315, 659, 675,  
220/662, 660

See application file for complete search history.

(56) **References Cited**

**U.S. PATENT DOCUMENTS**

D320,160 S 9/1991 Brown  
6,006,937 A 12/1999 Baravaglio et al.  
D421,901 S 3/2000 Hill

6,047,710 A 4/2000 Irving et al.  
D442,081 S \* 5/2001 Paul ..... D9/423  
D443,450 S \* 6/2001 Ruhotas et al. .... D6/515  
6,269,969 B1 8/2001 Huang et al.  
D478,513 S 8/2003 Canamasas  
D480,307 S 10/2003 Canamasas  
6,729,498 B2 5/2004 Yelton et al.  
D493,721 S 8/2004 Puigbo  
D495,545 S 9/2004 Niehues  
D499,648 S 12/2004 Lewis et al.  
7,021,483 B2 \* 4/2006 Tack et al. .... 220/259.1  
D530,208 S 10/2006 Danne et al.  
7,322,478 B2 1/2008 Goto et al.  
D561,943 S 2/2008 Desdoigts  
D588,916 S 3/2009 DeMarco  
D588,925 S 3/2009 DeMarco  
7,537,137 B2 5/2009 Giraud  
D601,022 S 9/2009 Zamberlan et al.  
D621,261 S 8/2010 DeMarco  
D621,708 S 8/2010 Thomas et al.

(Continued)

**FOREIGN PATENT DOCUMENTS**

DE 10 2005 016 862 A1 11/2005  
EP 0 544 557 B1 10/1997

(Continued)

*Primary Examiner* — Derrick Holland

*Assistant Examiner* — Lauren Calve

(74) *Attorney, Agent, or Firm* — Kimberly-Clark  
Worldwide, Inc.

(57) **CLAIM**

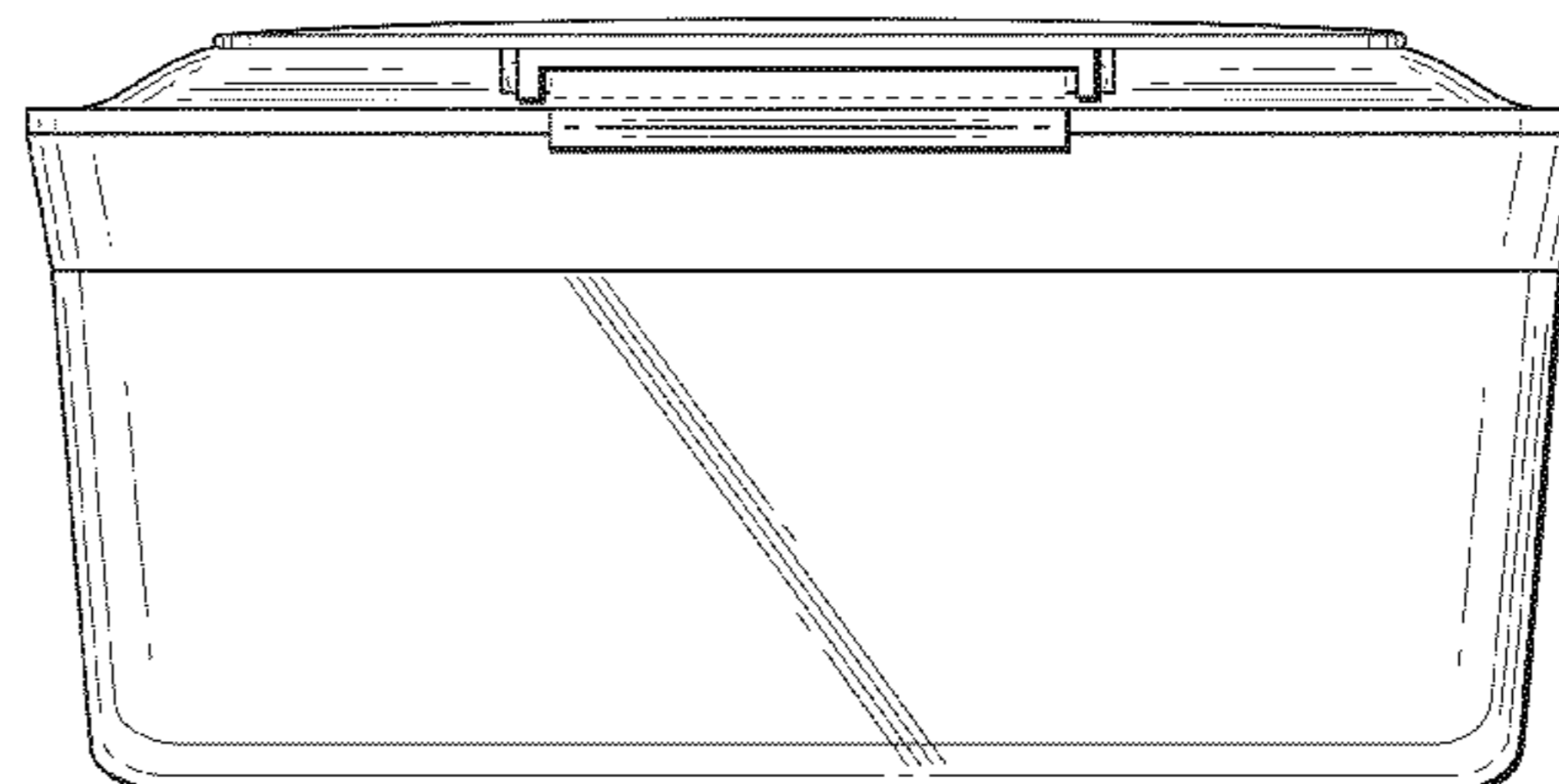
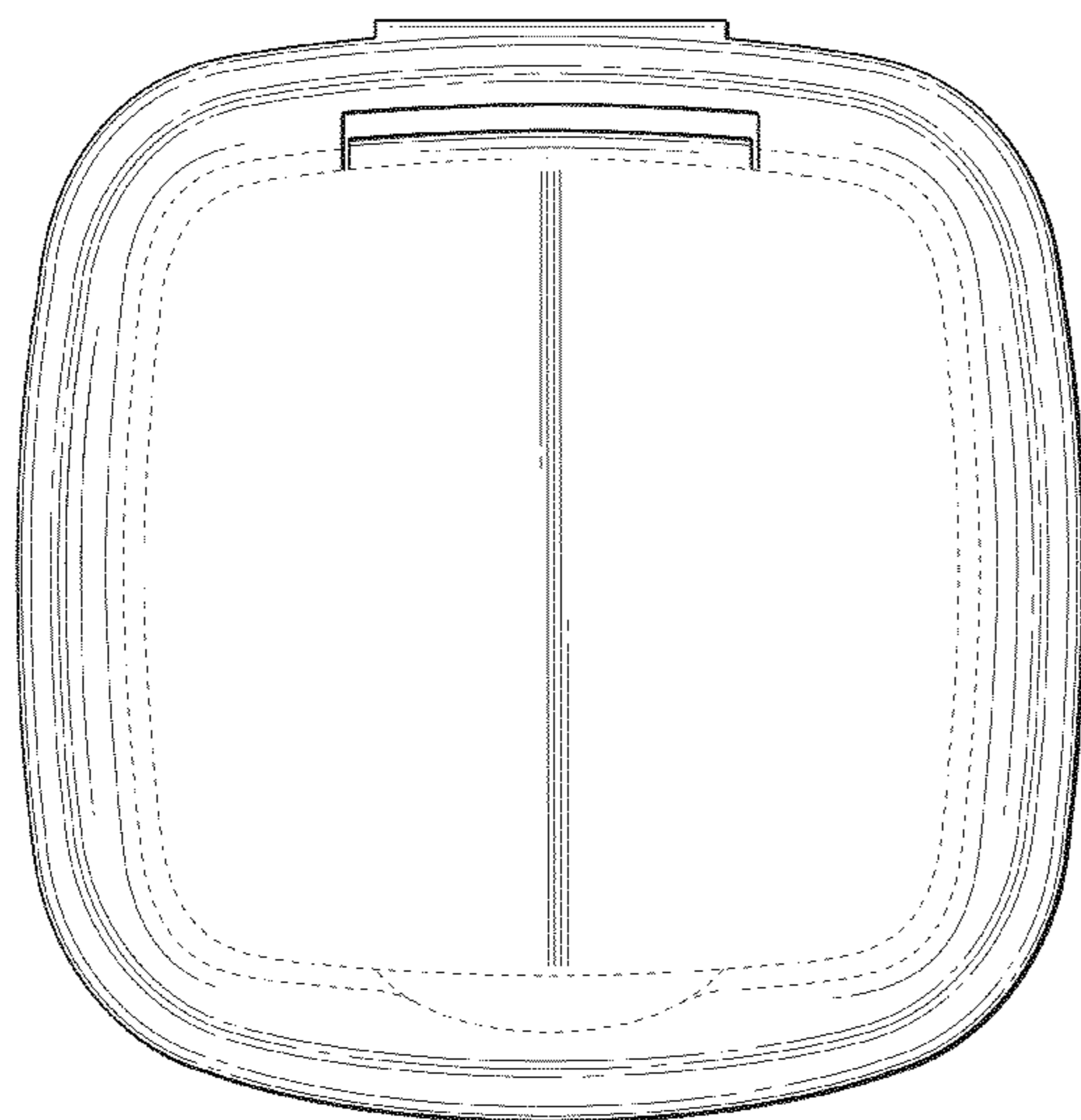
The ornamental design for a wiping substrate dispenser, as shown and described.

**DESCRIPTION**

FIG. 1 is a top plan view of a wiping substrate dispenser; and, FIG. 2 is a back view thereof.

The broken lines shown represent unclaimed subject matter and form no part of the claimed design.

**1 Claim, 2 Drawing Sheets**



(56)

**References Cited**

U.S. PATENT DOCUMENTS

D624,419 S 9/2010 Tivelli et al.  
 D630,097 S 1/2011 Brochado et al.  
 D630,939 S 1/2011 Peters et al.  
 D634,202 S 3/2011 Zamberlan et al.  
 D634,203 S 3/2011 Mongeon et al.  
 D645,750 S 9/2011 Lee  
 D659,004 S 5/2012 McCoy  
 D659,005 S 5/2012 McCoy  
 8,381,909 B2 2/2013 Hernandez et al.  
 8,403,167 B2 3/2013 Damaghi et al.  
 8,573,398 B2 \* 11/2013 Reinke et al. .... 206/494  
 D705,081 S \* 5/2014 Berger et al. .... D9/734

2003/0006253 A1 1/2003 Yelton et al.  
 2006/0096984 A1 \* 5/2006 Bandoh et al. .... 220/254.5  
 2006/0186019 A1 \* 8/2006 Lu ..... 206/581  
 2008/0230436 A1 9/2008 Martins et al.  
 2010/0176131 A1 7/2010 Lopez et al.

FOREIGN PATENT DOCUMENTS

EP 2 030 907 B1 5/2010  
 EP 2 392 224 A1 12/2011  
 EP 2 397 047 A1 12/2011  
 FR 2 796 044 A1 1/2001  
 WO WO 2003/056974 A2 7/2003

\* cited by examiner

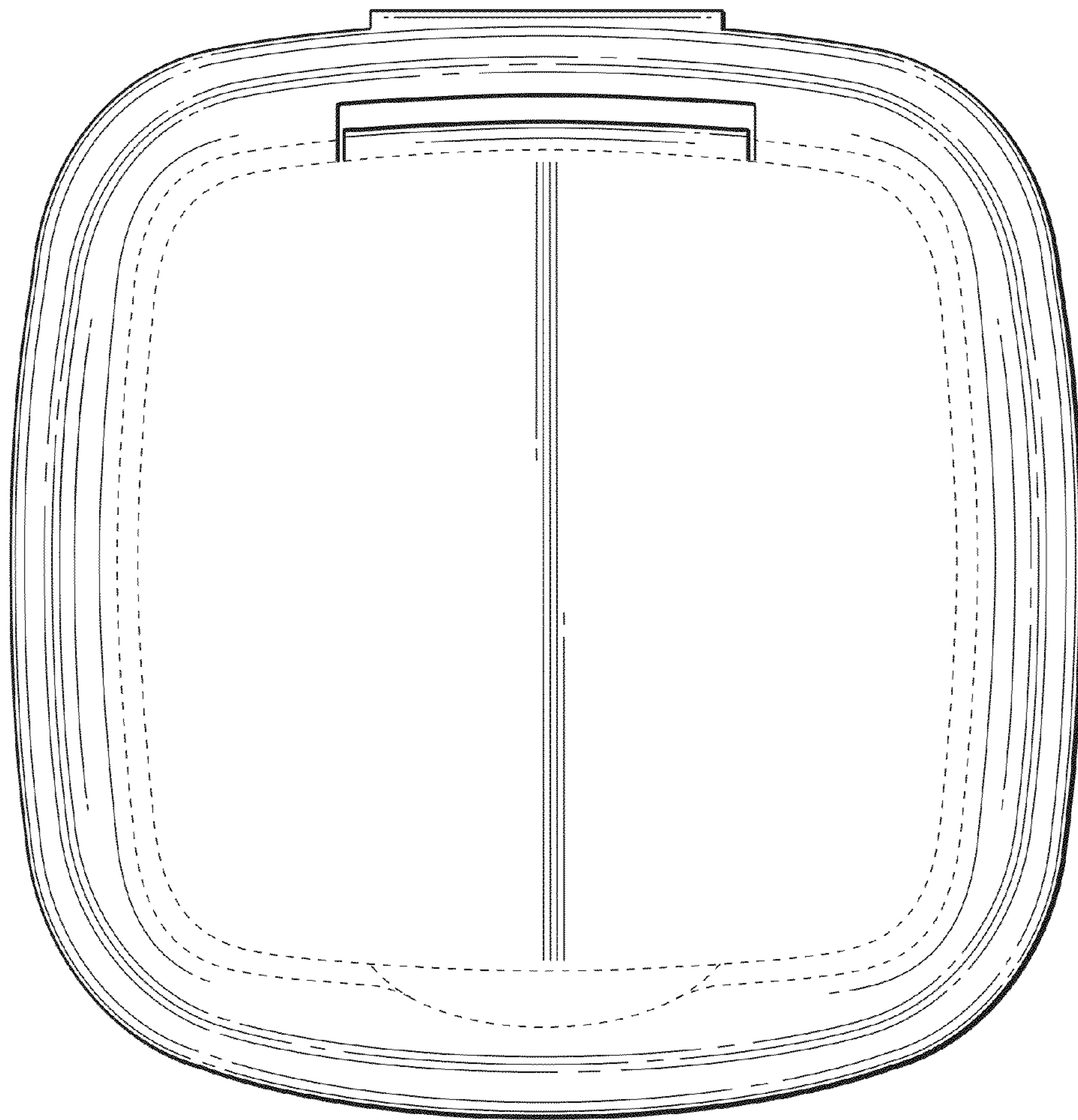


FIG. 1

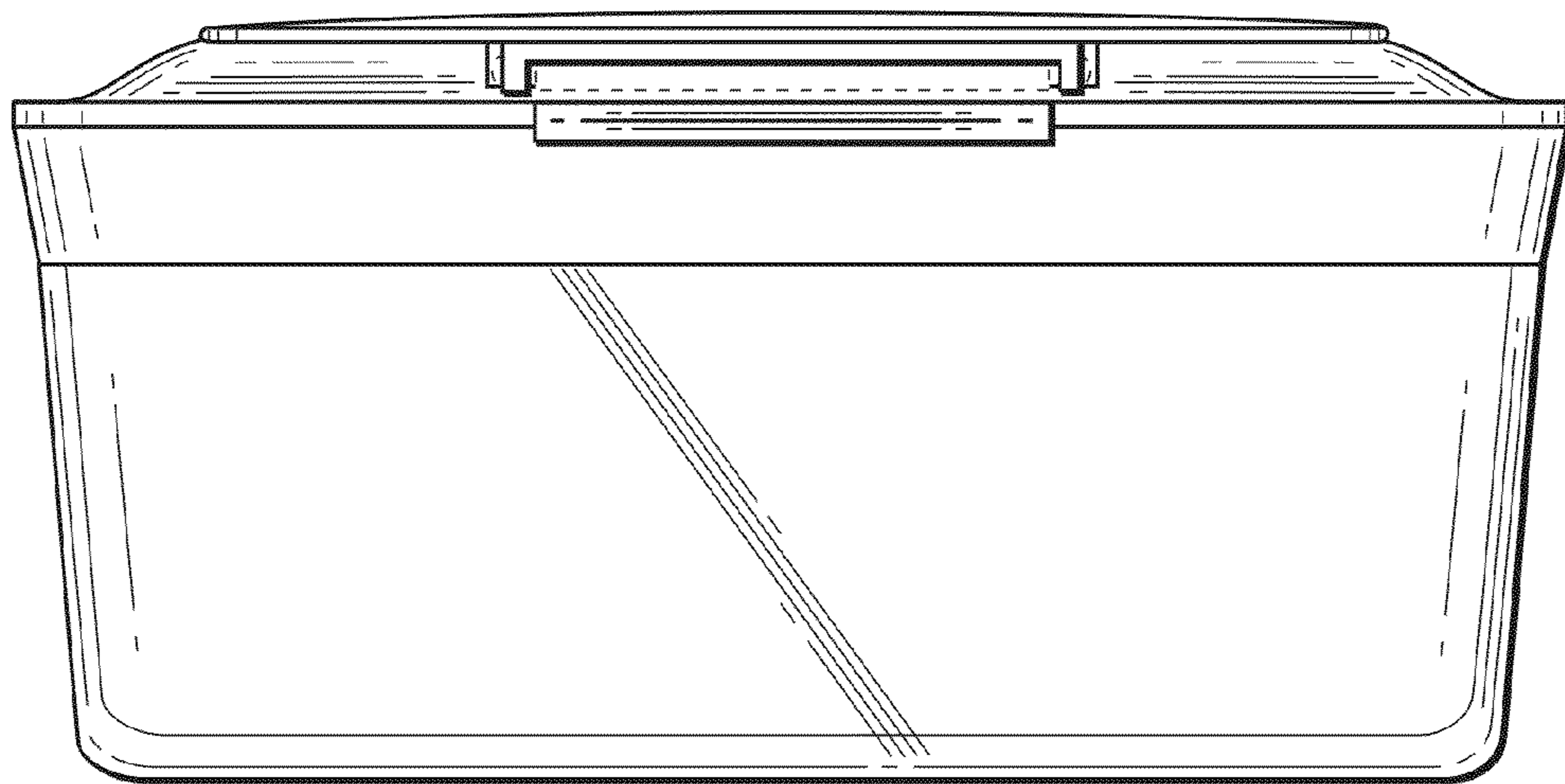


FIG. 2