



US00D730191S

(12) **United States Design Patent**  
**Hardy**

(10) **Patent No.:** **US D730,191 S**

(45) **Date of Patent:** **\*\* May 26, 2015**

(54) **PERFUME BOTTLE**

D577,602 S \* 9/2008 Phemster ..... D9/687  
D579,785 S \* 11/2008 Rica ..... D9/574

(71) Applicant: **Pierre Hardy**, Paris (FR)

(Continued)

(72) Inventor: **Pierre Hardy**, Paris (FR)

**FOREIGN PATENT DOCUMENTS**

(73) Assignee: **Comptoir Nouveau De La Parfumerie**,  
Paris (FR)

WO DM/068729 \* 3/2007  
WO DM/078126 \* 4/2012

(\*\*) Term: **14 Years**

**OTHER PUBLICATIONS**

(21) Appl. No.: **29/421,867**

“Square Lubins”, Illustrated Catalog and Price List, Illinois Glass Company, Perrin & Smith Print, © 1901, top right of p. 48.\*

(22) Filed: **Oct. 9, 2012**

(Continued)

(30) **Foreign Application Priority Data**

Apr. 11, 2012 (WO) ..... DM/078 126

*Primary Examiner* — Ian Simmons

*Assistant Examiner* — Dana L Meyrow

(51) **LOC (10) Cl.** ..... **09-01**

(74) *Attorney, Agent, or Firm* — Foley & Lardner LLP

(52) **U.S. Cl.**

USPC ..... **D9/529**; D9/454; D9/560; D9/573

(57) **CLAIM**

I claim the ornamental design for a perfume bottle, as shown and described.

(58) **Field of Classification Search**

CPC ..... B65D 1/00; B65D 1/02; B65D 1/0207;  
B65D 1/0223

USPC ..... D9/434–435, 444–445, 454, 516, 544,  
D9/546, 559–560, 566–567, 572–574, 682,  
D9/686–687, 694; D4/116; D7/300, 300.1,  
D7/598; D28/91.1

See application file for complete search history.

**DESCRIPTION**

FIG. 1 is a perspective view of a perfume bottle of the claimed design;

FIG. 2 is a front elevation view thereof, the left side, right side and rear elevation views being identical;

FIG. 3 is a top plan view thereof;

FIG. 4 is a bottom plan view thereof, shown at an enlarged scale;

FIG. 5 is an enlarged detail view of a portion of the perfume bottle taken from FIG. 3; and,

FIG. 6 is an enlarged detail view of a portion of the perfume bottle taken from FIG. 1.

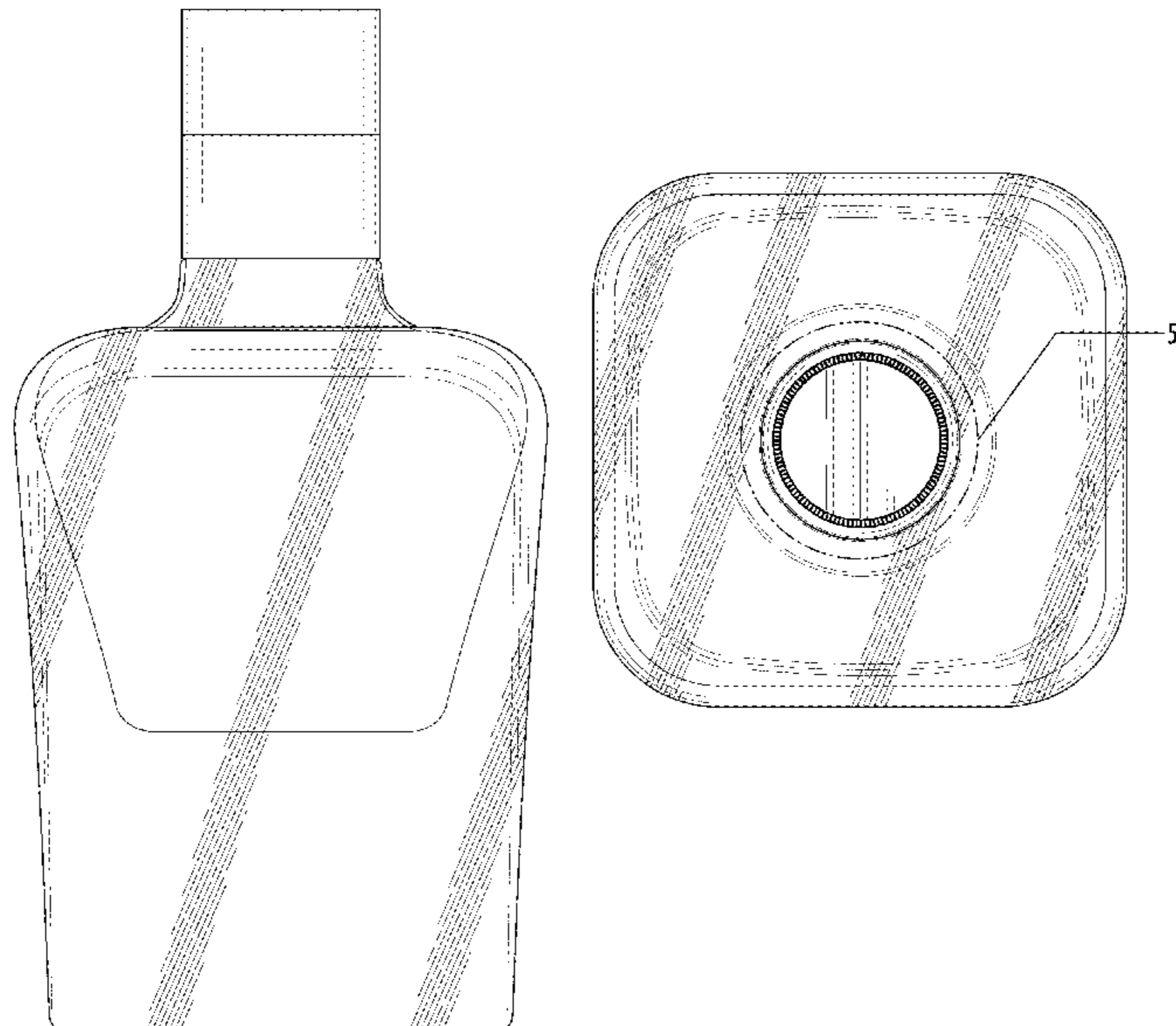
The ornamental design which is claimed is shown in the drawings in solid lines. The broken lines in FIGS. 1, 3, 5 & 6 define the area of the detail views and form no part of the claimed design.

(56) **References Cited**

**U.S. PATENT DOCUMENTS**

D324,496 S \* 3/1992 Poandl ..... D9/559  
D348,832 S \* 7/1994 Gobe ..... D9/661  
D427,516 S \* 7/2000 Legros ..... D9/632  
D440,152 S \* 4/2001 Legros ..... D9/632  
D551,987 S \* 10/2007 Kuethe et al. .... D9/560  
D559,698 S \* 1/2008 Rica ..... D9/544  
D567,100 S \* 4/2008 Liden et al. .... D9/560  
D571,219 S \* 6/2008 McCoy ..... D9/546

**1 Claim, 6 Drawing Sheets**



(56)

**References Cited**

**OTHER PUBLICATIONS**

U.S. PATENT DOCUMENTS

D584,639	S	*	1/2009	Antretter	.....	D9/687
D595,141	S	*	6/2009	Rica	.....	D9/544
D602,368	S	*	10/2009	Rica	.....	D9/544
D603,716	S	*	11/2009	Rica	.....	D9/560
D604,174	S	*	11/2009	Rica	.....	D9/560
D604,175	S	*	11/2009	Rica	.....	D9/560
D606,409	S	*	12/2009	Rica	.....	D9/516

“Primo” and “Tertio”, ABA Packaging Introduces: The Brilliance of the Saverglass Line; and “Cynthia”, Glass Bottles. ABA Packaging Corporation Catalog, ABA Packaging Corp., Holtsville, NY, p. (SG) 5 & 7 and (GB) 9.\*

\* cited by examiner

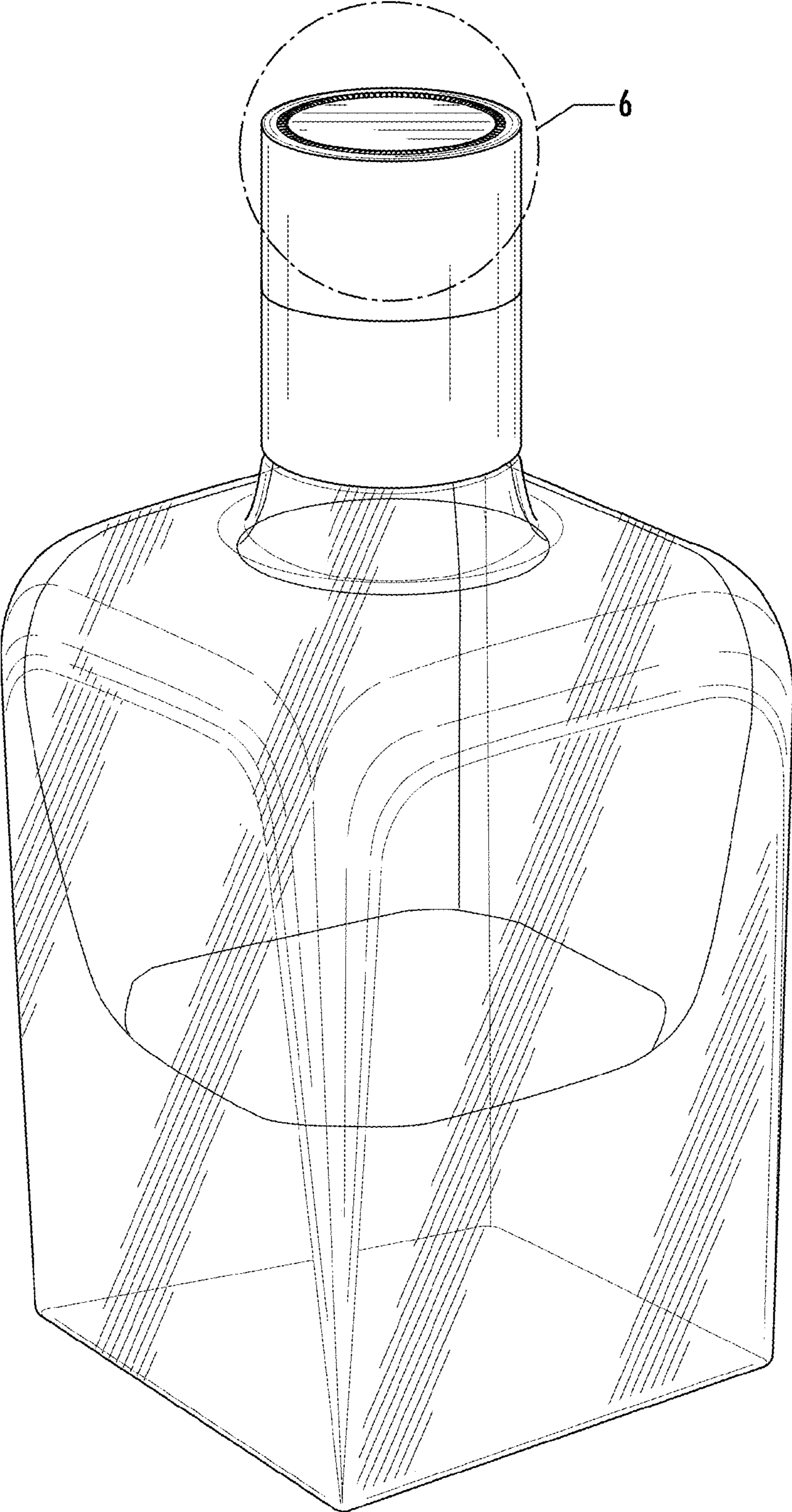


FIG. 1

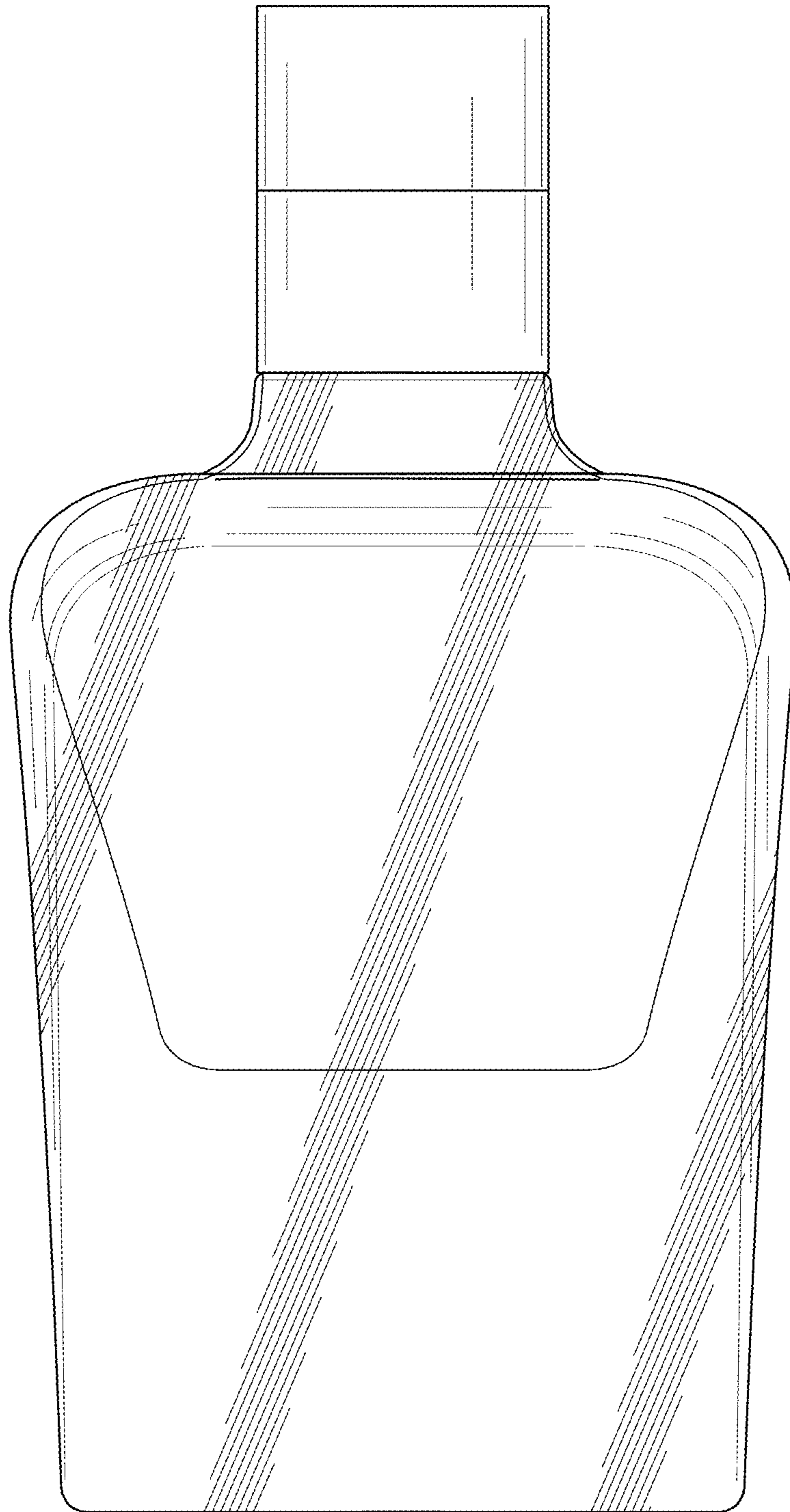


FIG. 2

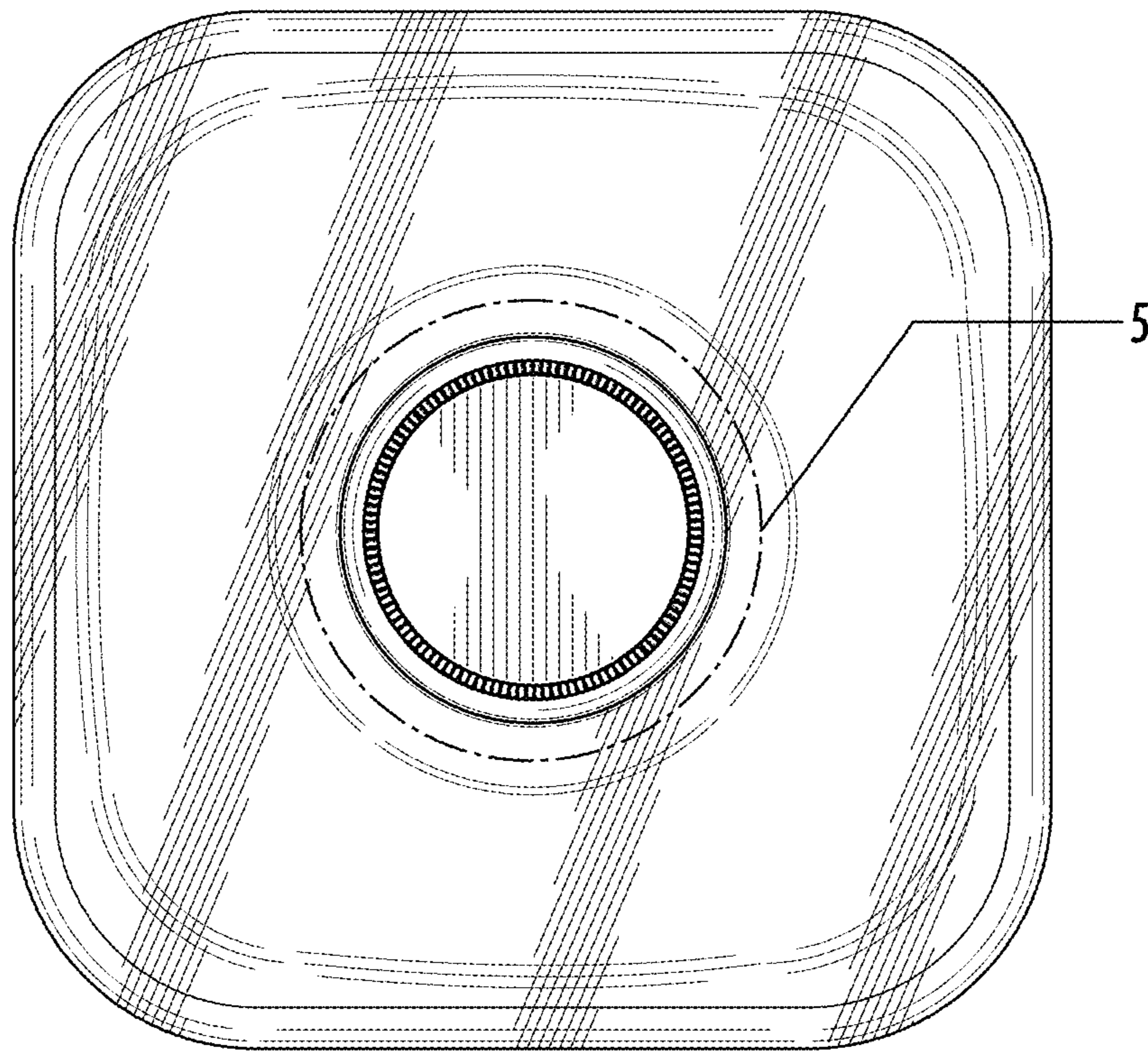


FIG. 3

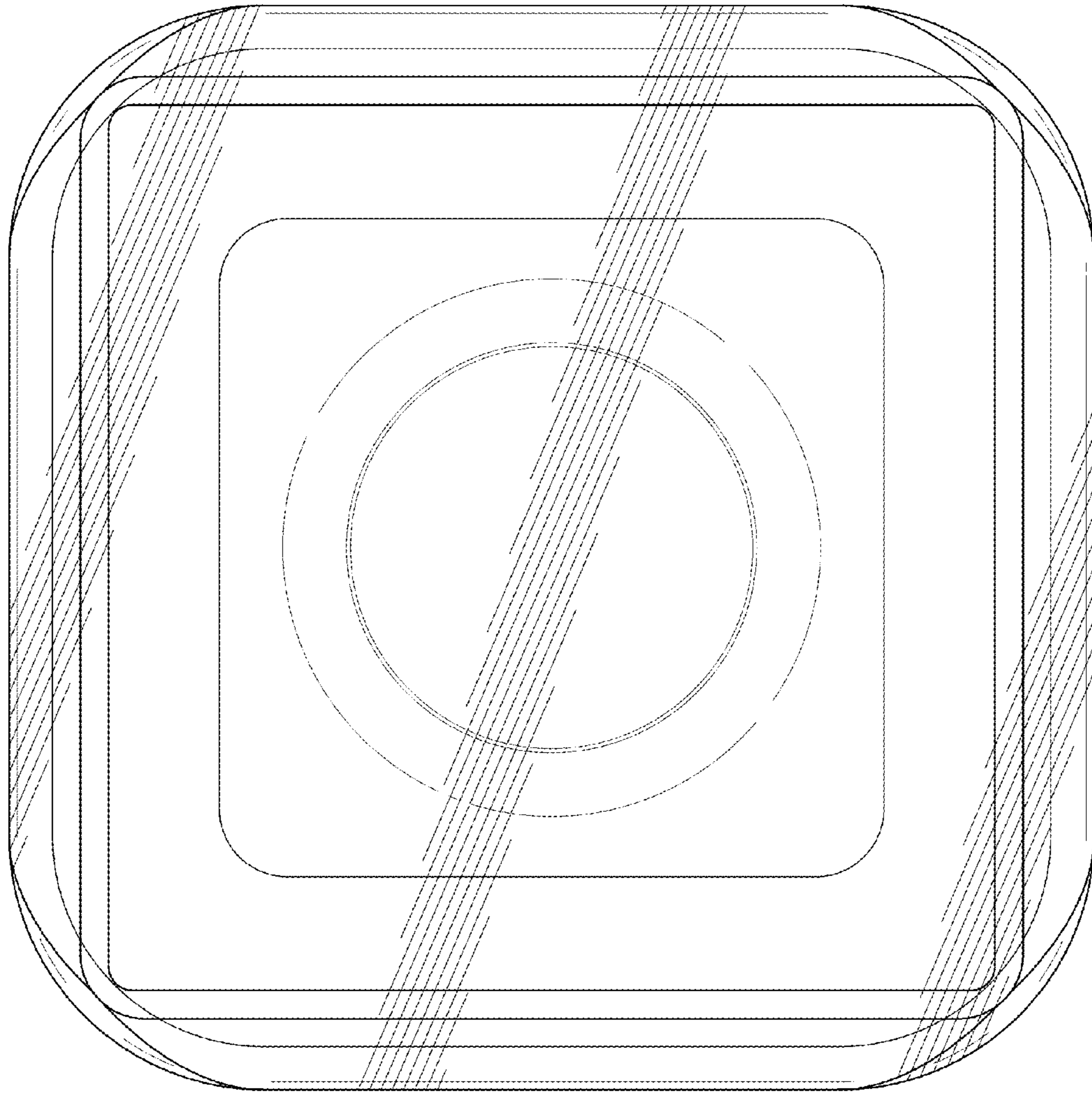


FIG. 4

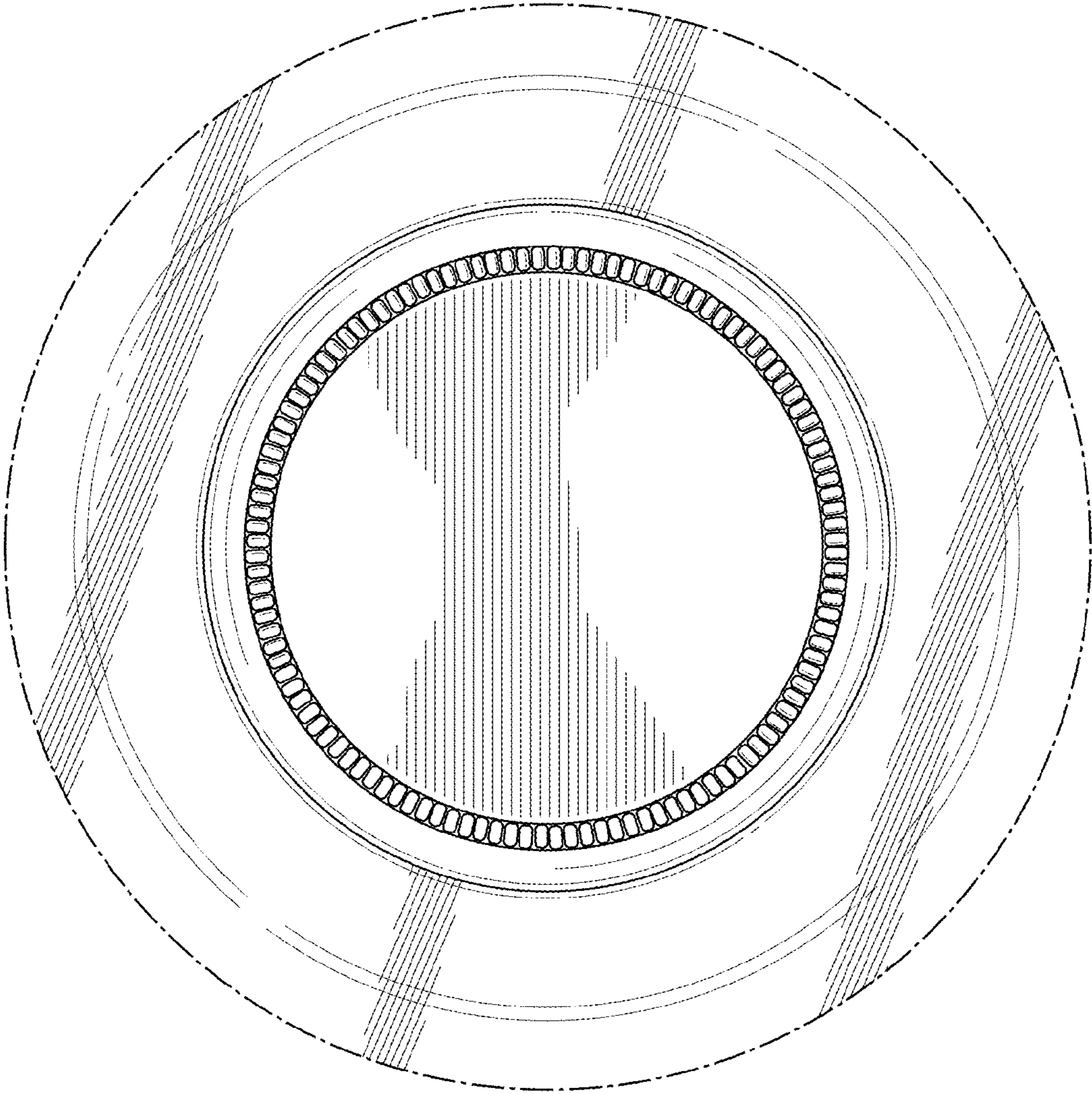


FIG. 5

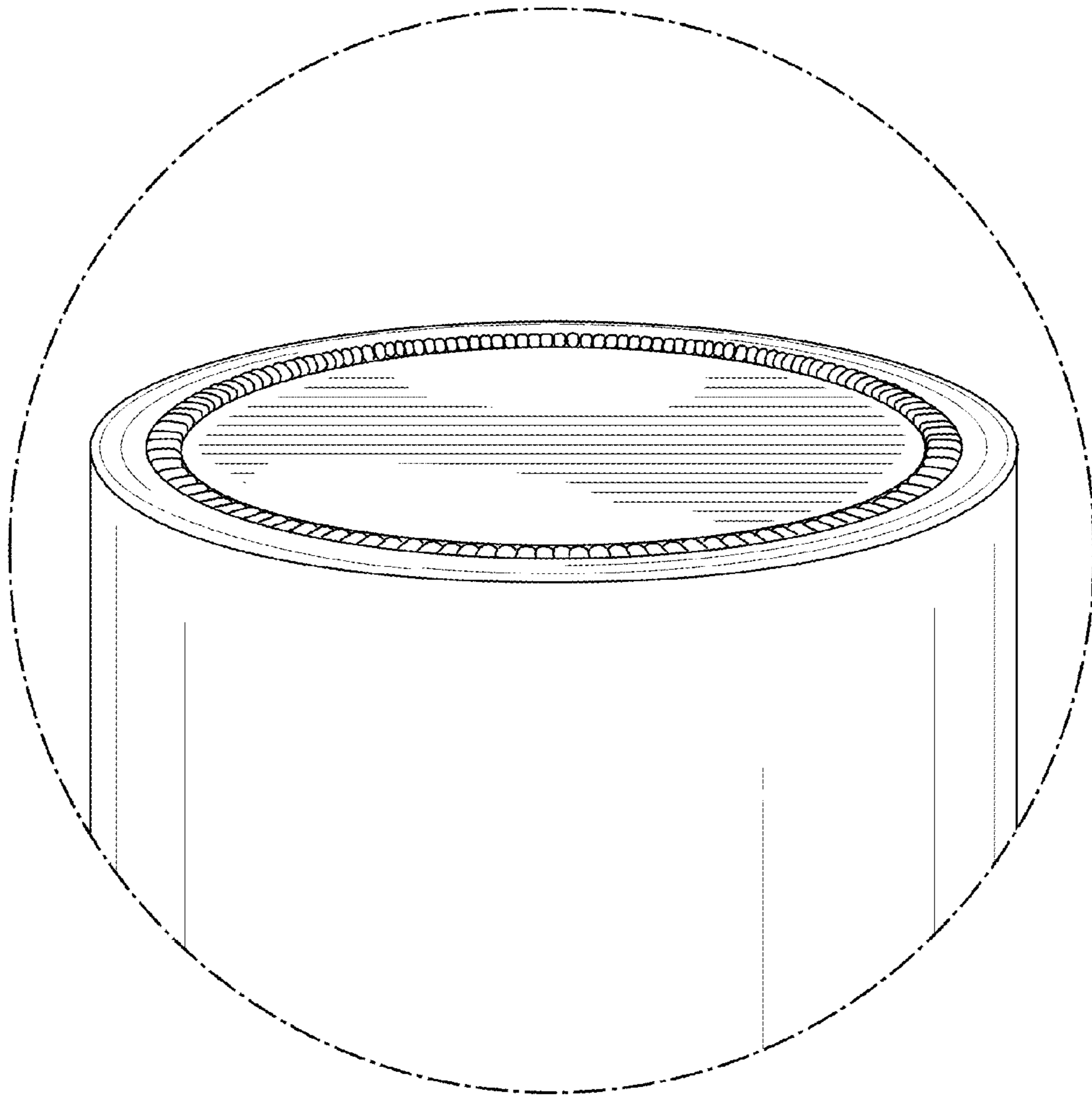


FIG. 6