



US00D730187S

(12) **United States Design Patent**  
**Robinson et al.**

(10) **Patent No.:** **US D730,187 S**  
(45) **Date of Patent:** **\*\* May 26, 2015**

- (54) **LID**
- (71) Applicants: **Jason Robinson**, Cary, NC (US); **Todd Robinson**, Washington, DC (US)
- (72) Inventors: **Jason Robinson**, Cary, NC (US); **Todd Robinson**, Washington, DC (US)
- (73) Assignee: **73 Innovations, LLC**, Apex, NC (US)
- (\*\*) Term: **14 Years**
- (21) Appl. No.: **29/477,749**
- (22) Filed: **Dec. 26, 2013**
- (51) **LOC (10) Cl.** ..... **09-07**
- (52) **U.S. Cl.**  
USPC ..... **D9/451**
- (58) **Field of Classification Search**  
USPC ..... D9/632, 668, 434, 441, 451;  
D7/514-515, 517, 519-520, 392.1;  
D3/270-271.1; 215/381-384,  
215/387-388; 206/376, 457, 527; D2/882,  
D2/886  
See application file for complete search history.

- D378,732 S \* 4/1997 Lawson ..... D9/632
- D419,880 S \* 2/2000 Adams ..... D9/451
- D474,938 S \* 5/2003 Malik ..... D7/392.1
- D523,612 S \* 6/2006 Steger ..... D2/882
- D567,606 S \* 4/2008 Romero ..... D8/38
- D653,948 S \* 2/2012 Azar ..... D9/451
- D670,892 S \* 11/2012 Epstein ..... D2/882
- D698,598 S \* 2/2014 Malik ..... D7/392.1
- D698,890 S \* 2/2014 Bollerod ..... D2/886

\* cited by examiner

*Primary Examiner* — Sandra Morris

(74) *Attorney, Agent, or Firm* — Padowitz Alce

(57) **CLAIM**

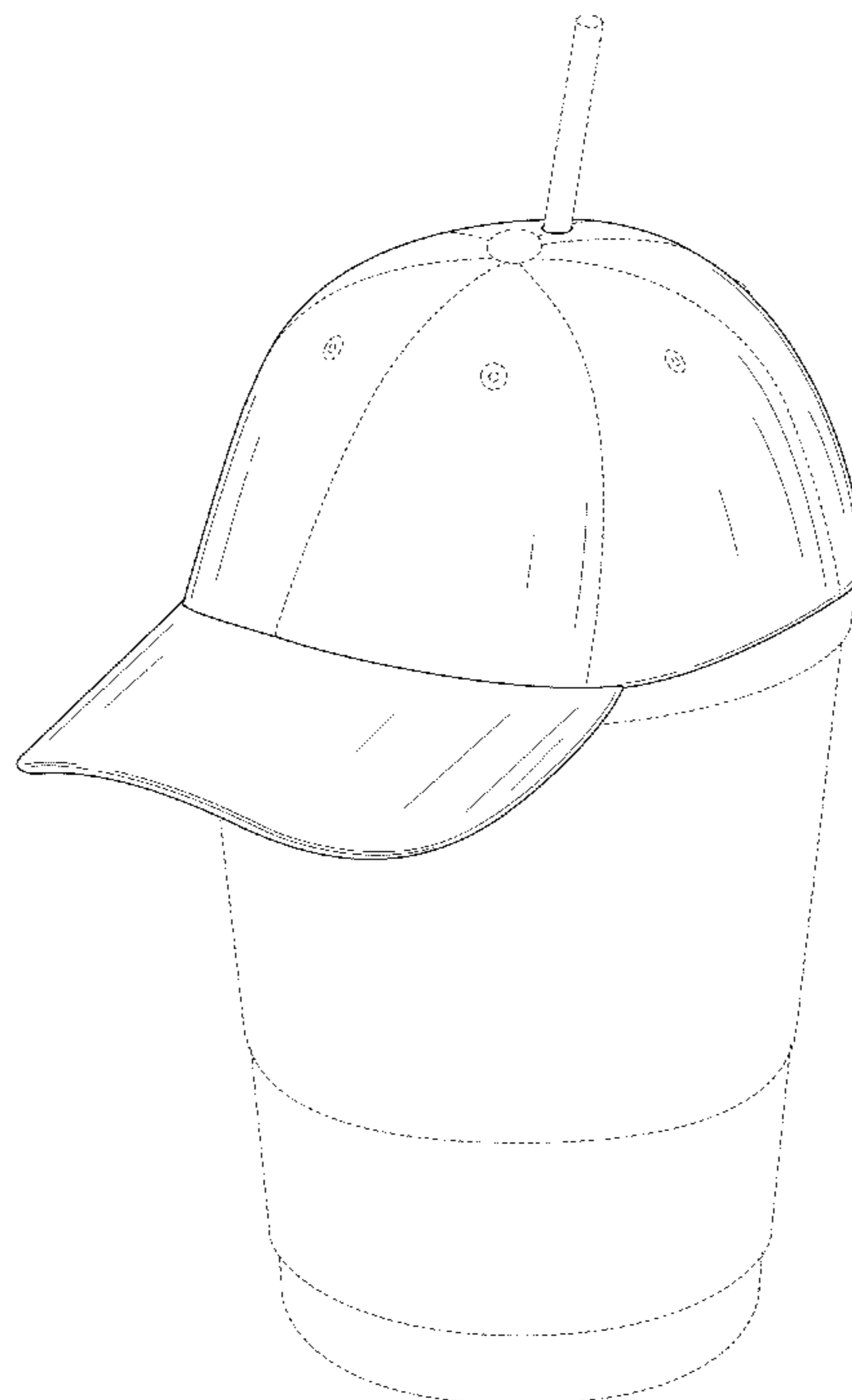
The ornamental design for a lid, as shown and described.

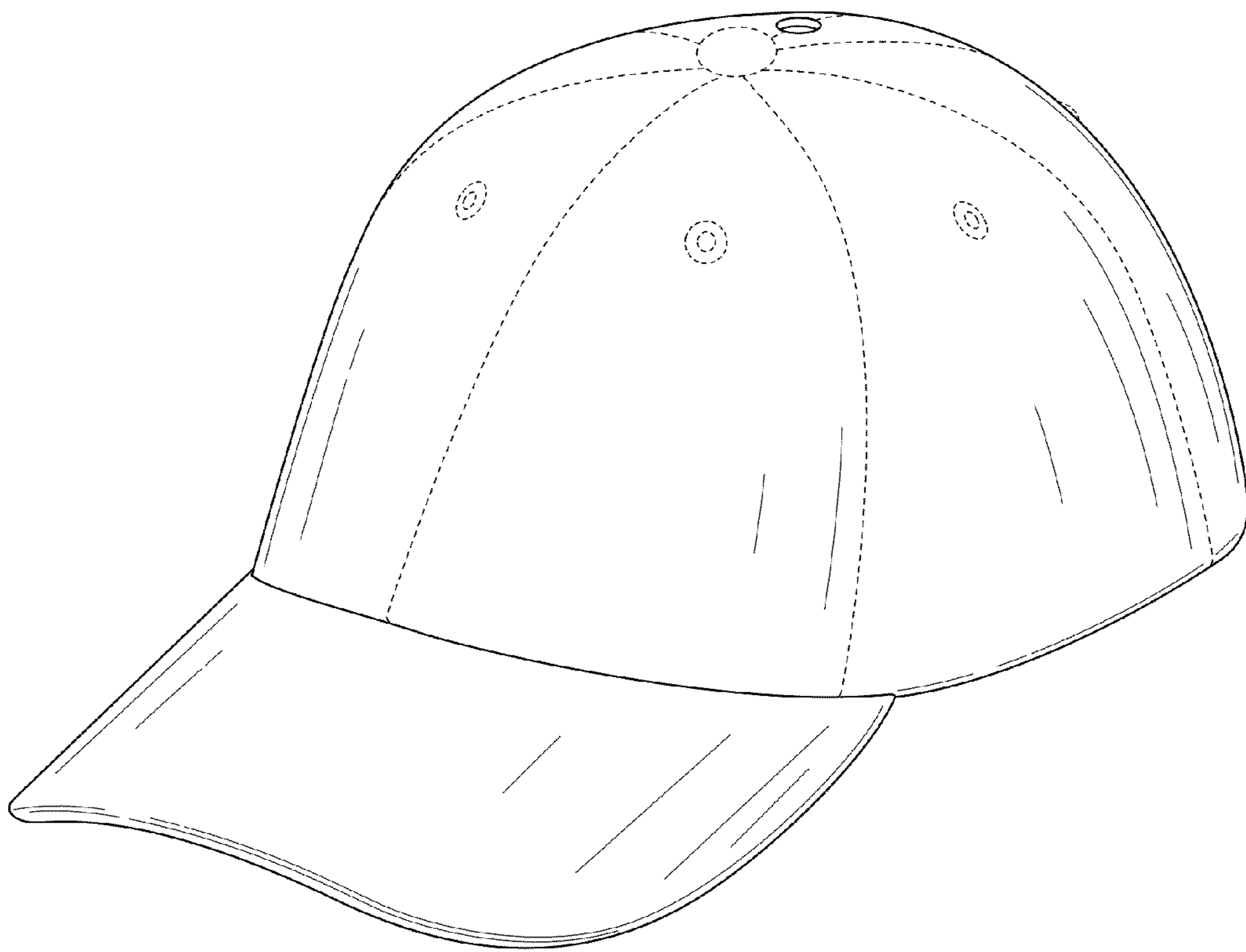
**DESCRIPTION**

FIG. 1 is a right-side perspective view of a lid showing my new design;  
 FIG. 2 is a front elevation view thereof;  
 FIG. 3 is a back elevation view thereof;  
 FIG. 4 is a right elevation view thereof;  
 FIG. 5 is a left elevation view thereof;  
 FIG. 6 is a top plan view thereof;  
 FIG. 7 is a bottom plan view thereof; and,  
 FIG. 8 is a right-side perspective view thereof, as applied to a drinking container.  
 The broken lines shown in the drawings are shown for illustrating unclaimed portions of the article and presently, form no part of the claimed design.

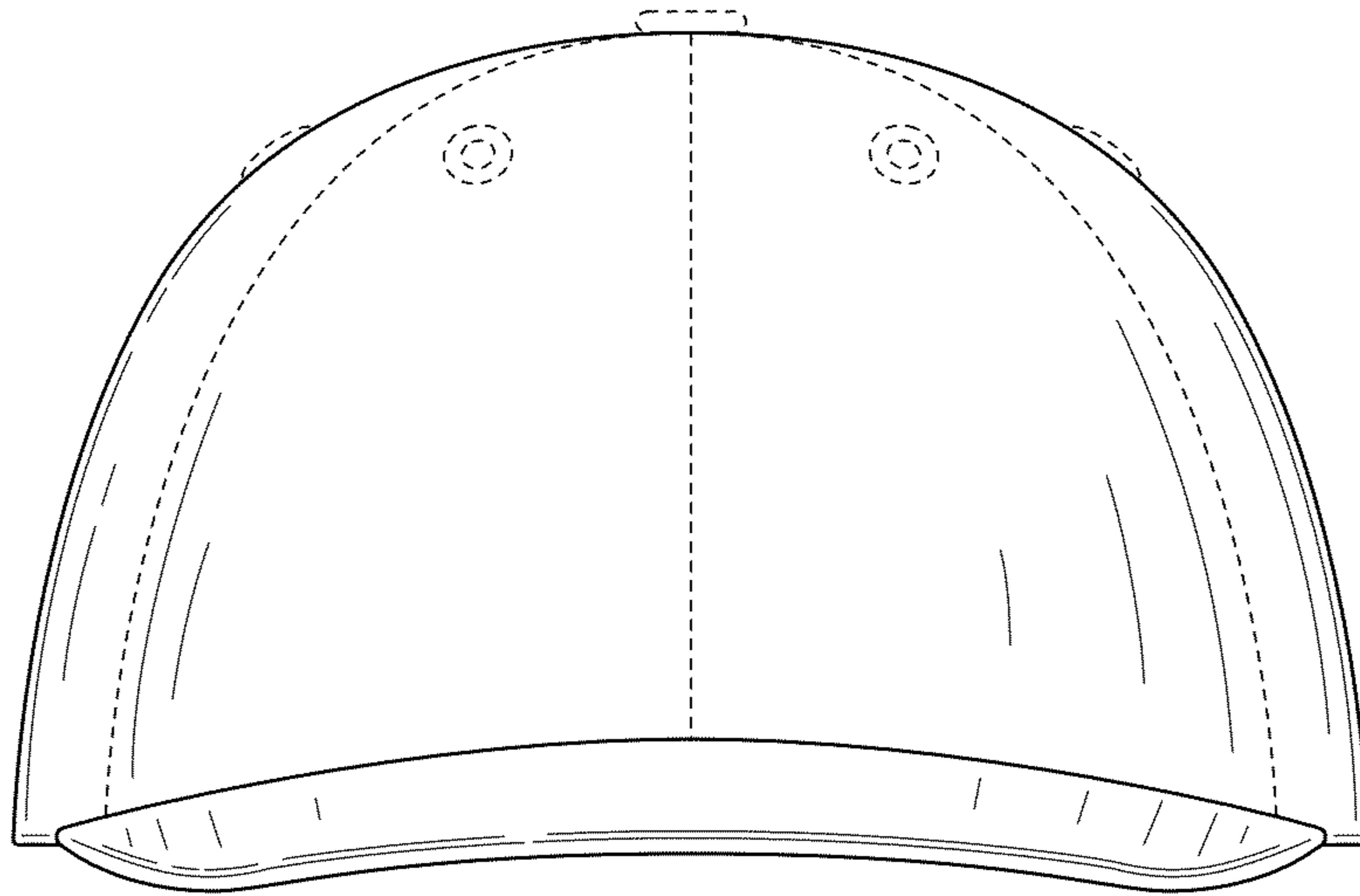
**1 Claim, 6 Drawing Sheets**

- (56) **References Cited**  
U.S. PATENT DOCUMENTS  
D318,223 S \* 7/1991 Allen ..... D9/632  
D327,816 S \* 7/1992 Paullin ..... D7/515  
D330,856 S \* 11/1992 Kidd ..... D9/451  
D376,682 S \* 12/1996 Johnson ..... D2/882

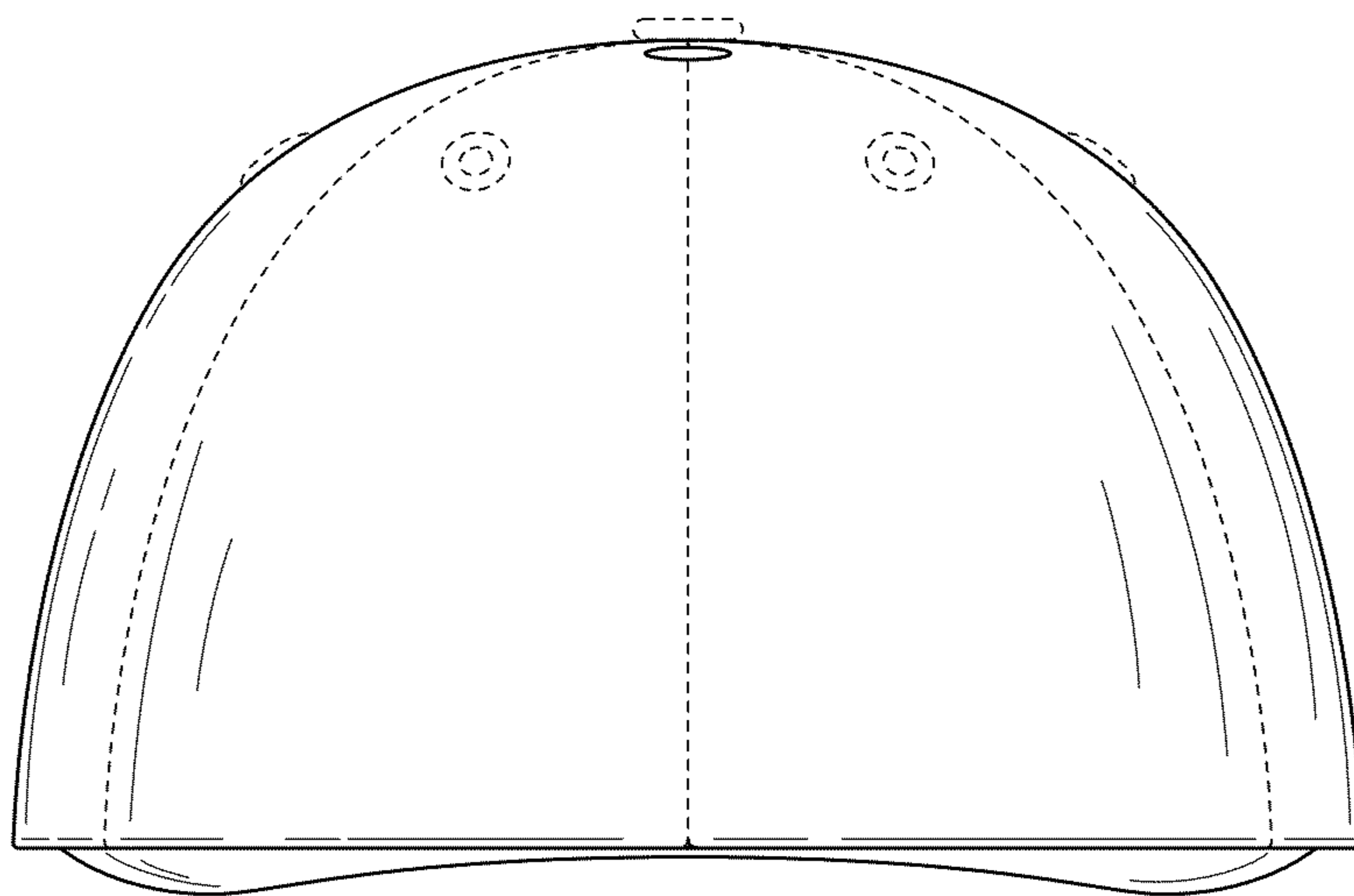




**FIG. 1**



**FIG. 2**



**FIG. 3**

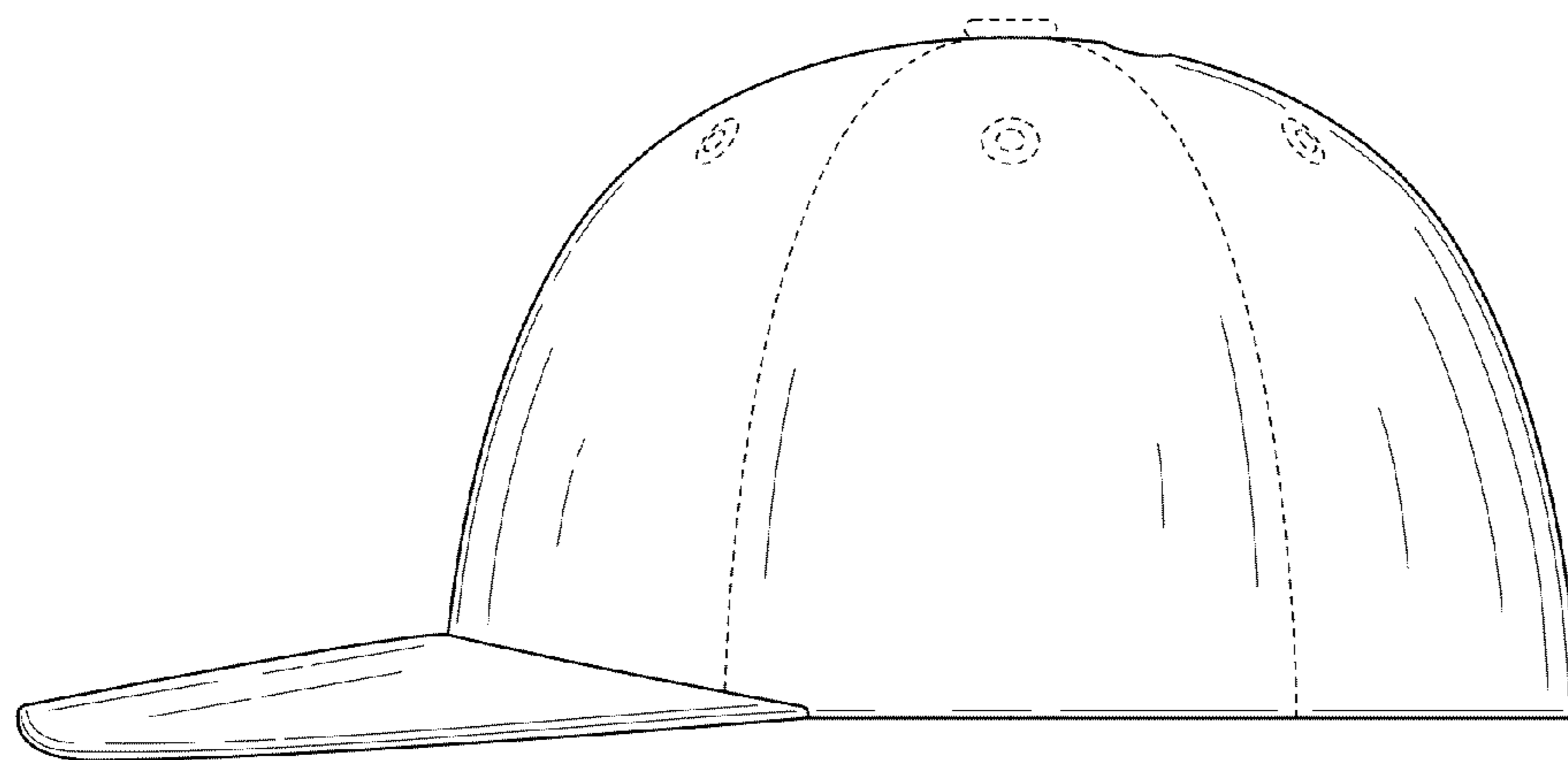


FIG. 4

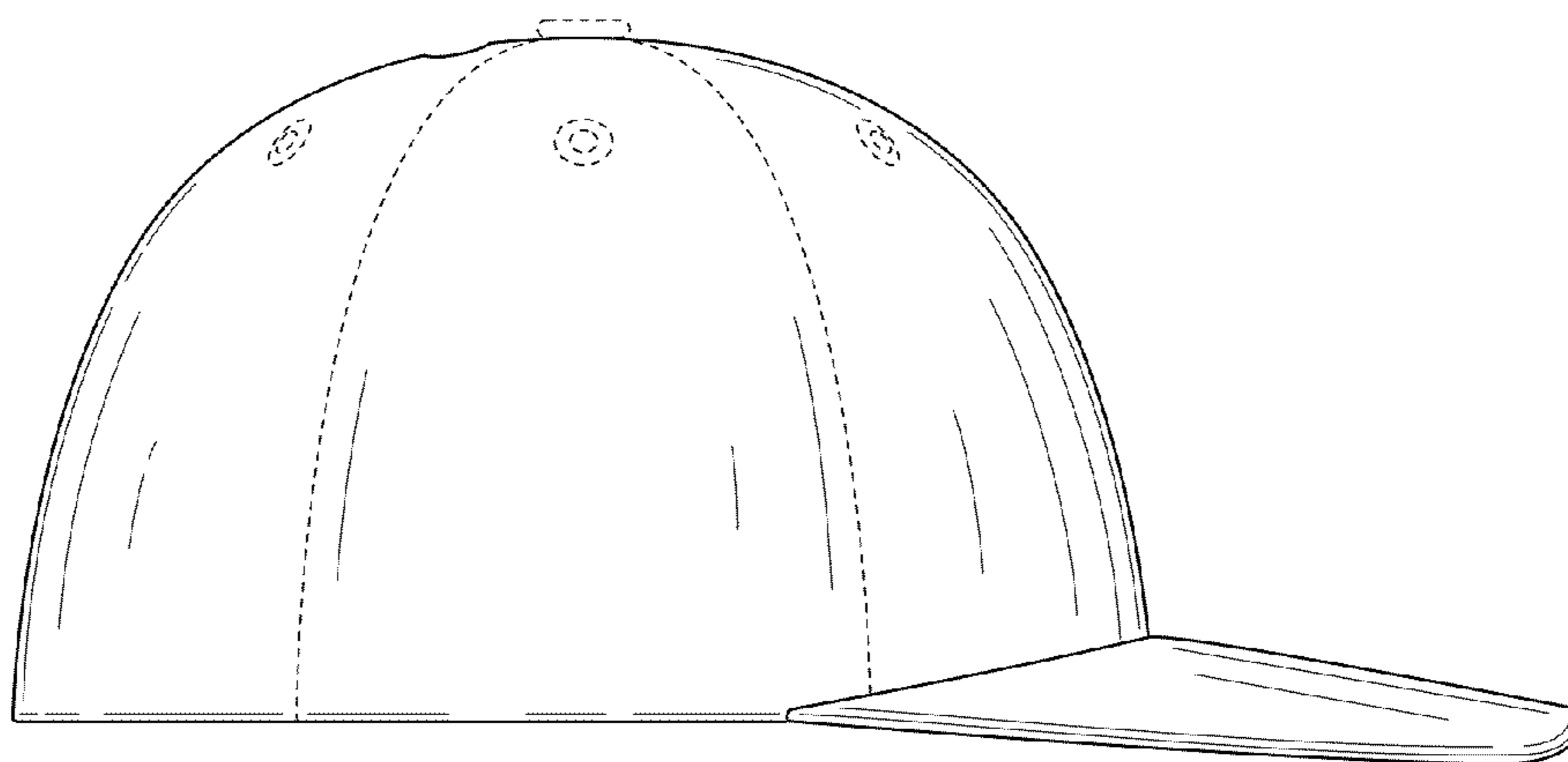
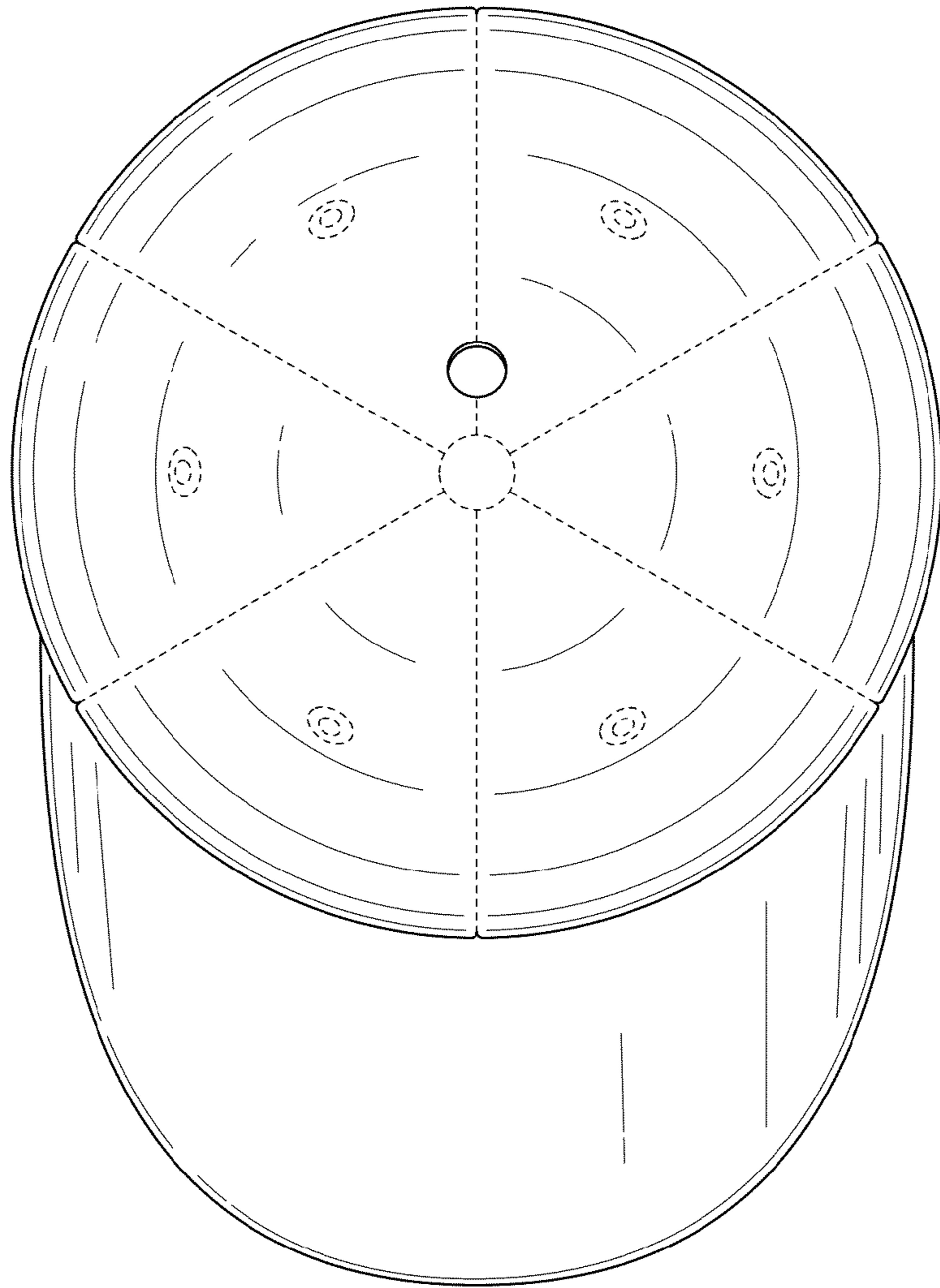
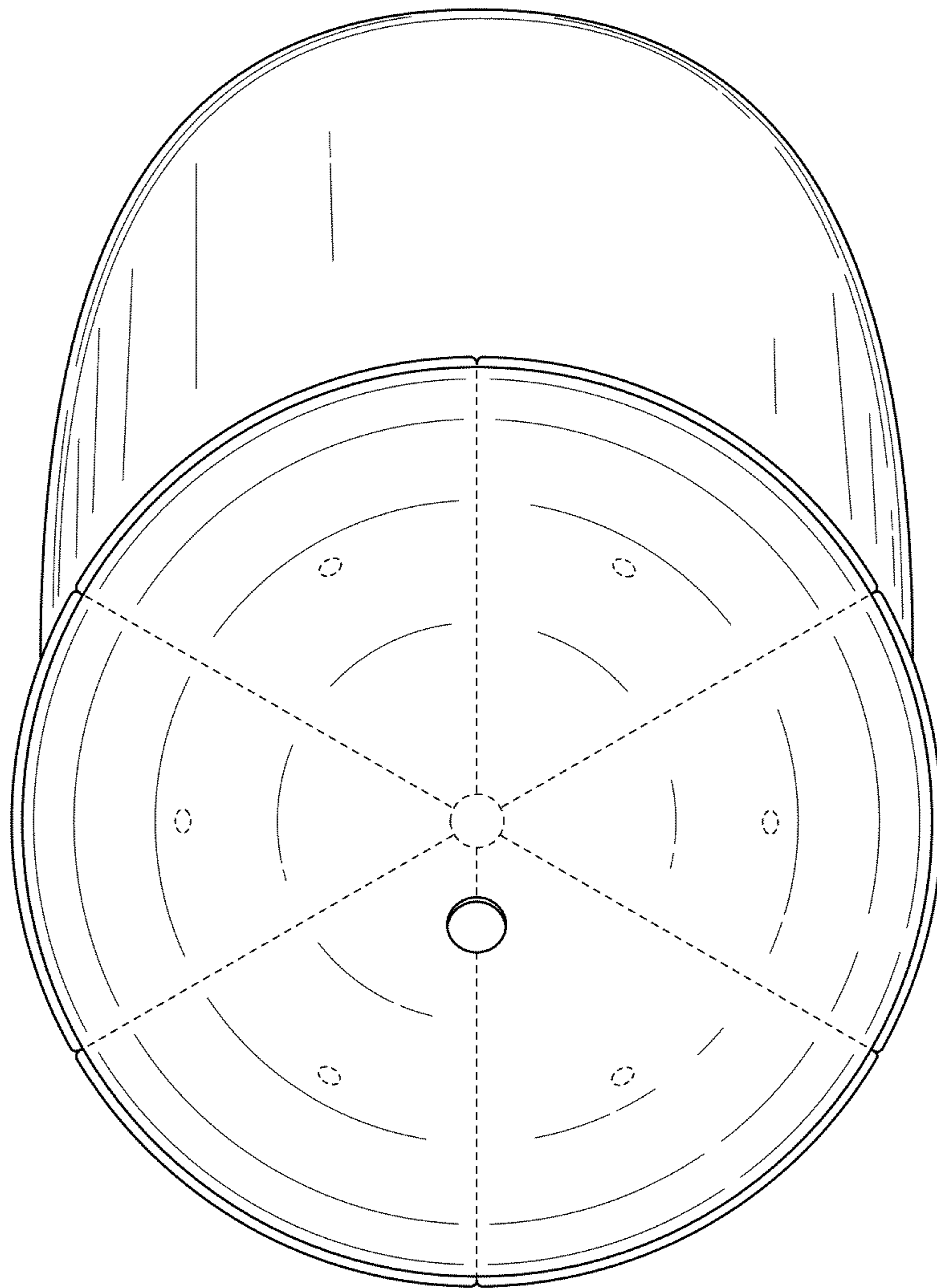


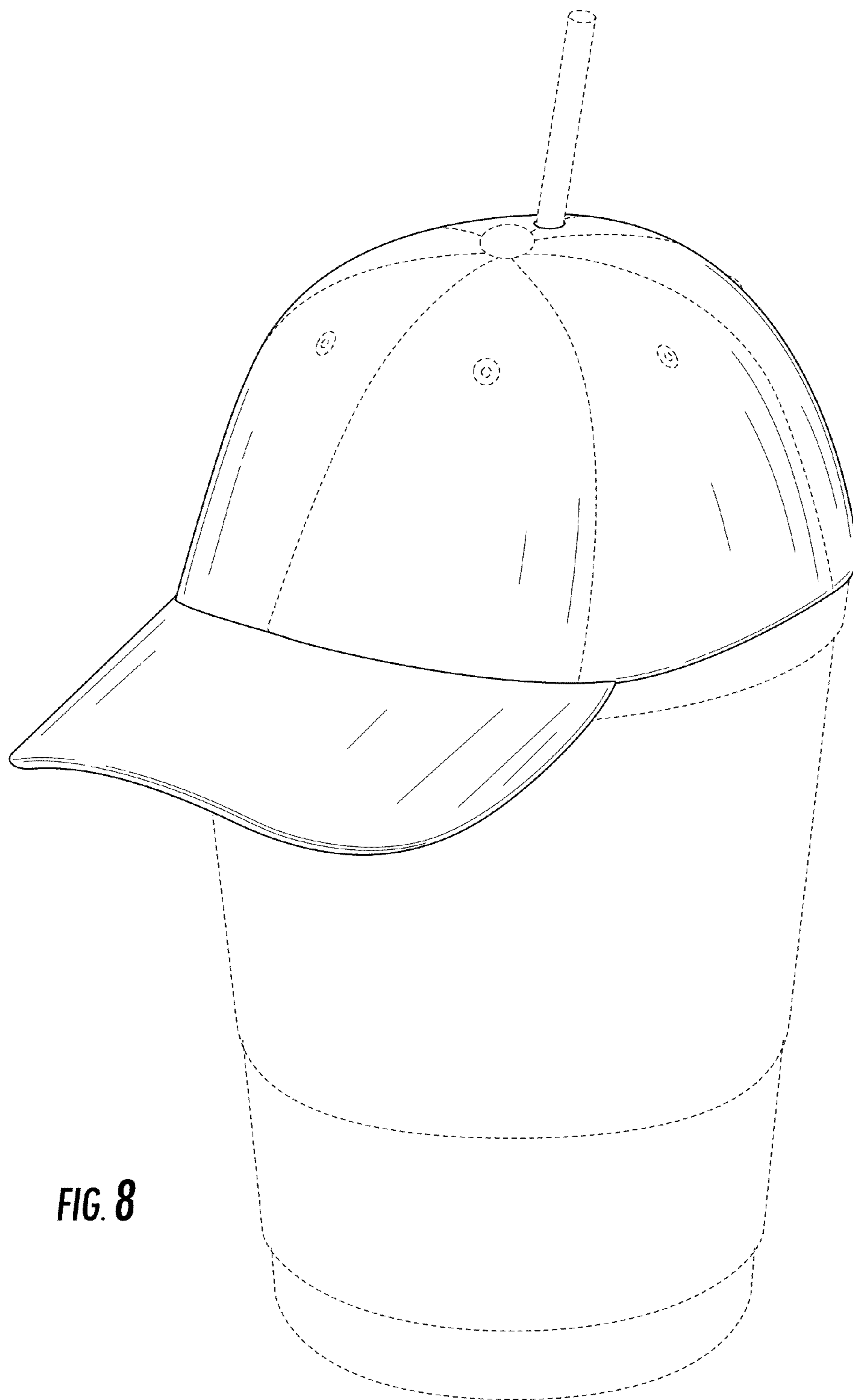
FIG. 5



**FIG. 6**



**FIG. 7**



**FIG. 8**