

US00D730185S

(12) **United States Design Patent**  
**Blanco et al.**

(10) **Patent No.:** **US D730,185 S**

(45) **Date of Patent:** **\*\* May 26, 2015**

(54) **TUBE CAP**

(56)

**References Cited**

(71) Applicant: **T2 Biosystems, Inc.**, Lexington, MA  
(US)

U.S. PATENT DOCUMENTS

(72) Inventors: **Matthew Blanco**, Boston, MA (US);  
**Mark John Audeh**, Brighton, MA (US);  
**Vasiliki Demas**, Arlington, MA (US);  
**Michael Min**, Boston, MA (US);  
**Charles William Rittershaus**, Malden,  
MA (US); **Adam Suchocki**, Lexington,  
MA (US); **Parris Wellman**, Reading,  
MA (US)

D207,608	S	*	5/1967	Rudolph	.....	D9/442
D296,765	S	*	7/1988	Urion	.....	D9/434
D397,938	S	*	9/1998	Graham et al.	.....	D9/454
D444,063	S	*	6/2001	Buck et al.	.....	D9/447
D473,792	S	*	4/2003	Diefenbach	.....	D9/454
D492,597	S	*	7/2004	Norris et al.	.....	D9/442
D516,910	S	*	3/2006	Bresler	.....	D9/447
D540,124	S	*	4/2007	Ross	.....	D7/608
D556,037	S	*	11/2007	D'Amato	.....	D9/454
D559,105	S	*	1/2008	D'Amato	.....	D9/454
D563,220	S	*	3/2008	Krivoshein	.....	D9/454
D587,999	S	*	3/2009	Schulthess	.....	D9/434
D679,181	S	*	4/2013	Vogel et al.	.....	D9/443
2003/0024942	A1	*	2/2003	Motsenbocker	.....	221/63

(73) Assignee: **T2 Biosystems, Inc.**, Lexington, MA  
(US)

\* cited by examiner

(\*\*) Term: **14 Years**

*Primary Examiner* — Robert M Spear  
*Assistant Examiner* — Darcey E Heflin

(21) Appl. No.: **29/465,009**

(74) *Attorney, Agent, or Firm* — Clark & Elbing LLP; Karen  
L. Elbing; Todd Armstrong

(22) Filed: **Aug. 22, 2013**

(57) **CLAIM**

The ornamental design for a tube cap, substantially as shown  
and described.

(51) **LOC (10) Cl.** ..... **09-07**

**DESCRIPTION**

(52) **U.S. Cl.**  
USPC ..... **D9/439**

(58) **Field of Classification Search**  
CPC ..... G07F 11/68; G07F 9/105  
USPC ..... D7/300-302, 305, 318, 393, 397, 608,  
D7/669; D9/434-436, 440-443, 446, 447,  
D9/449, 454, 499; 206/494; 215/200;  
220/203.04, 203.05, 203.07, 203.11,  
220/703; 221/63

FIG. 1 is a top view of a tube cap embodying the invention.  
FIG. 2 is a bottom perspective view of a tube cap embodying  
the invention.  
FIG. 3 is a top perspective view of a tube cap embodying the  
invention; and,  
FIG. 4 is a cross-sectional side view of a tube cap embodying  
the invention.  
The tube cap may be constructed of colored or clear materials  
having visual appeal and ranging from transparent to opaque  
in optical transmission properties.

See application file for complete search history.

**1 Claim, 4 Drawing Sheets**

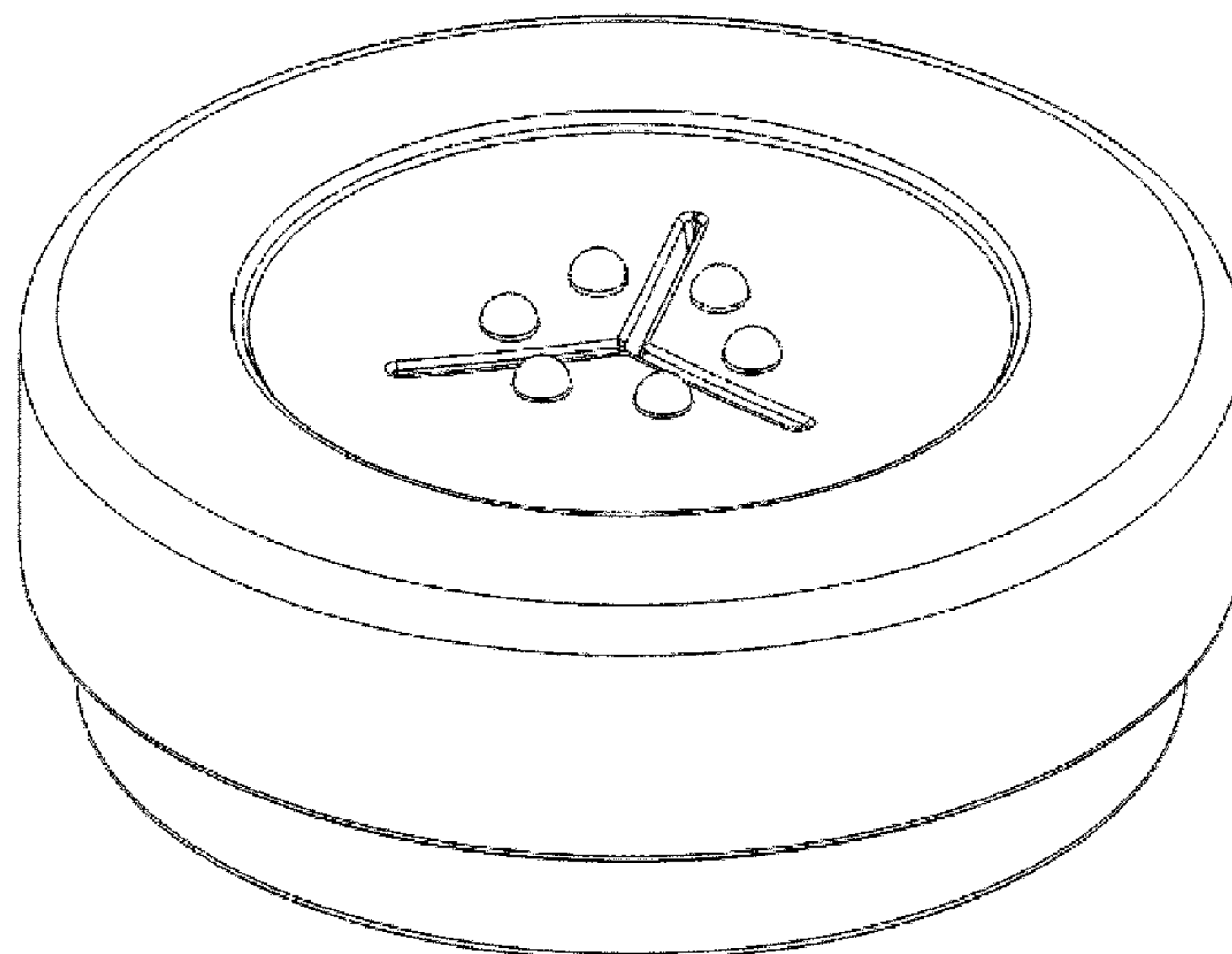


Figure 1

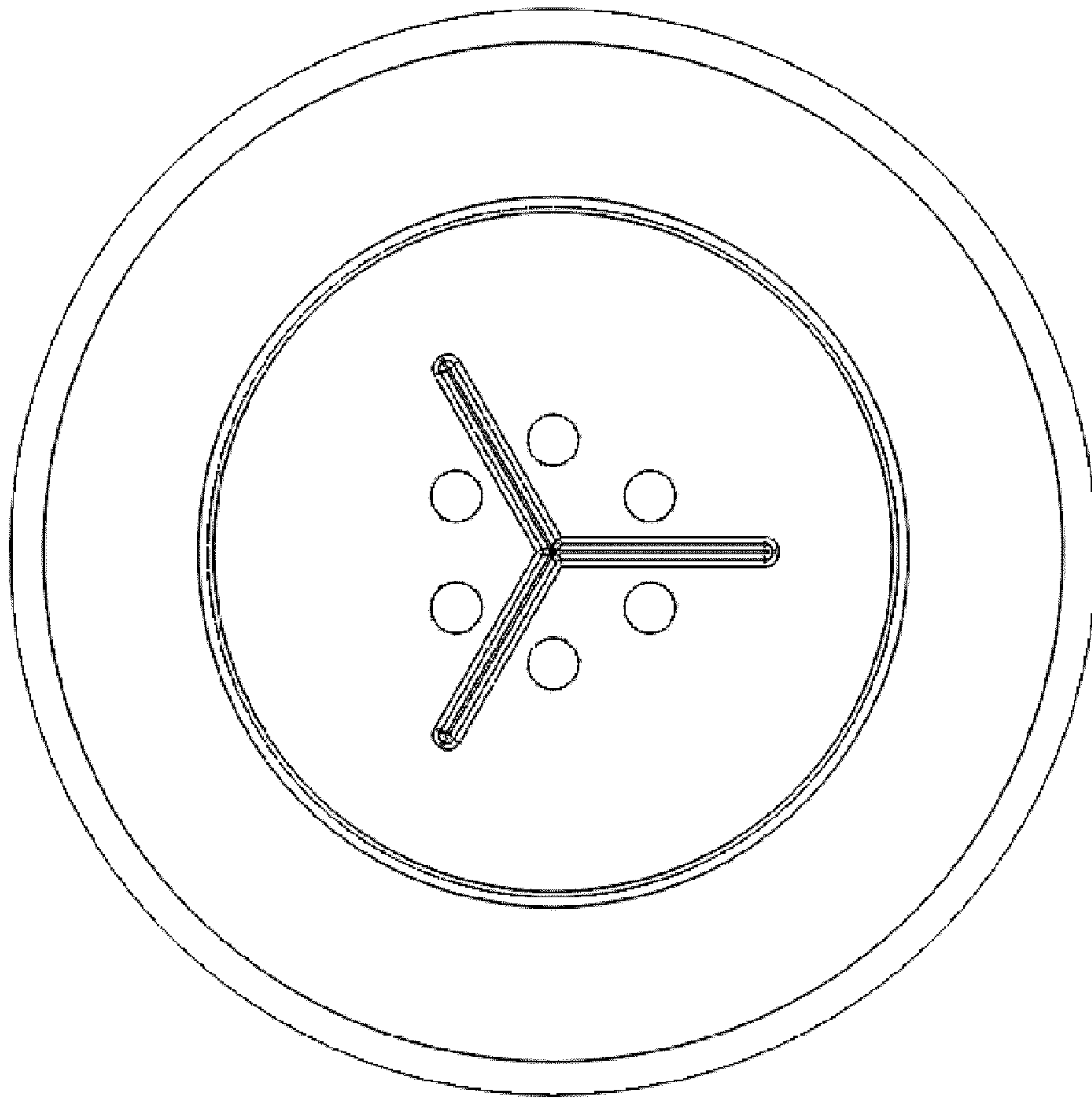


Figure 2

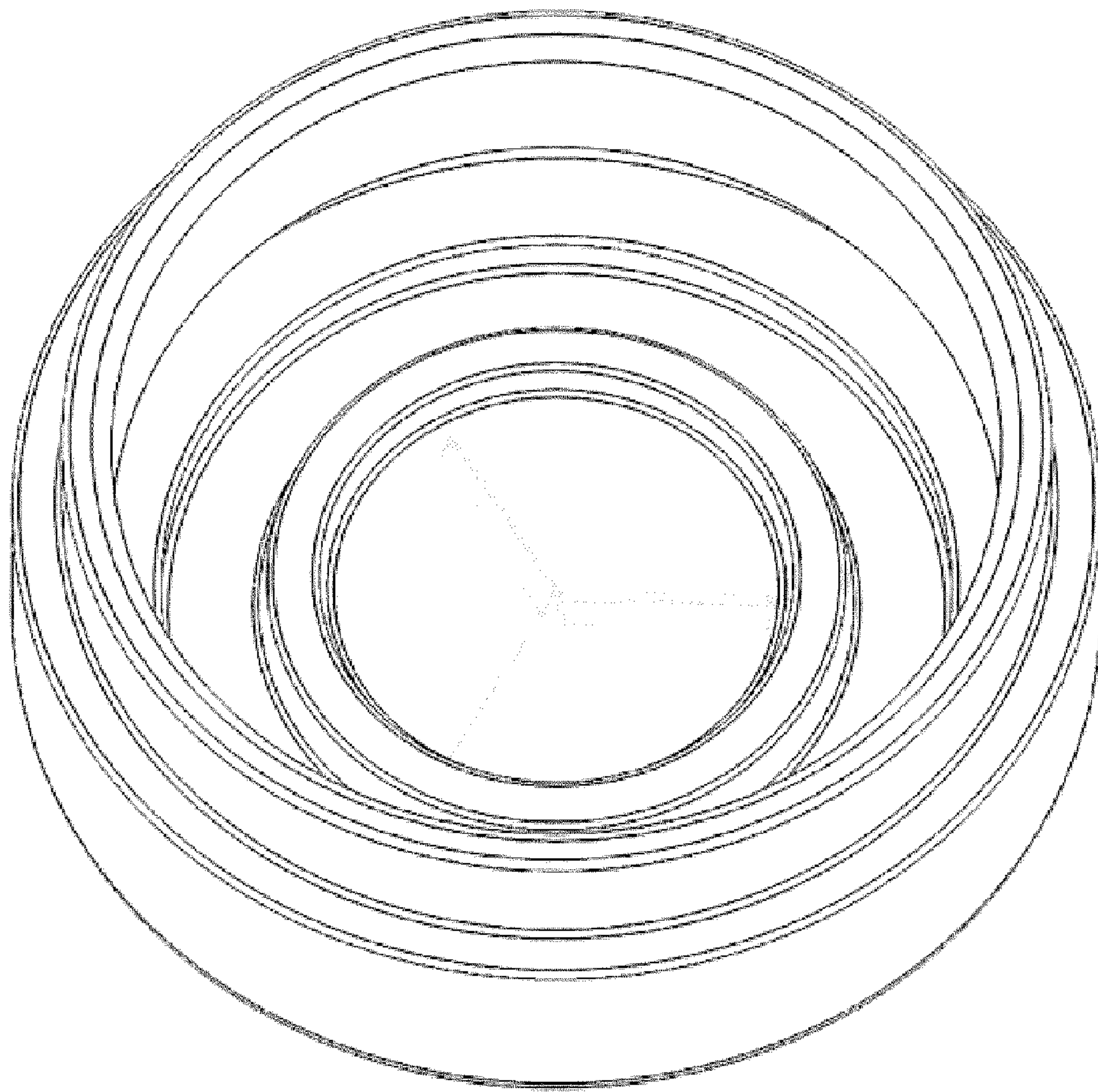


Figure 3

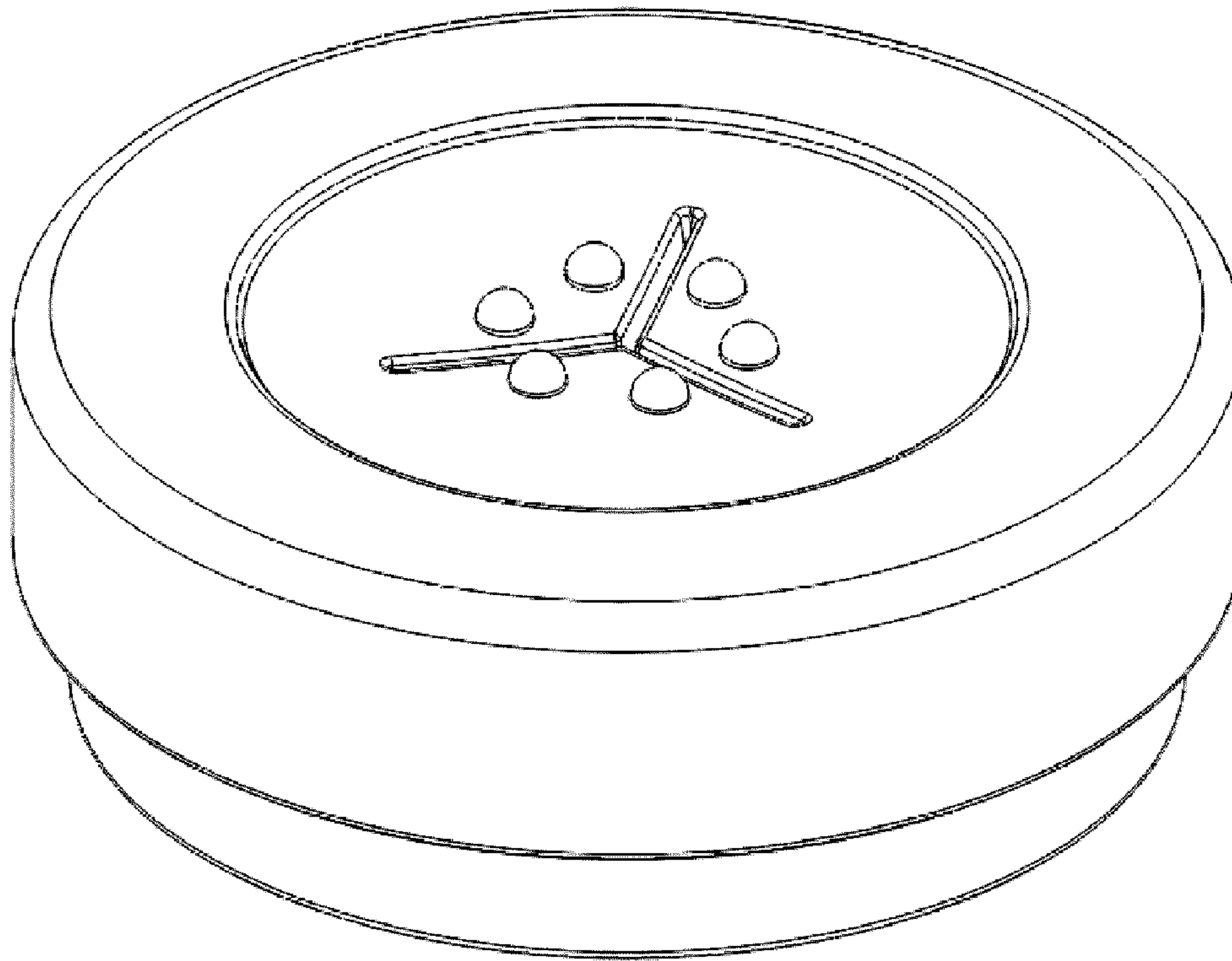




Figure 4

