



US00D730184S

(12) **United States Design Patent**
Matsushita

(10) **Patent No.:** **US D730,184 S**
(45) **Date of Patent:** **** May 26, 2015**

(54) **CONTAINER LID FOR COSMETICS**

D691,044 S * 10/2013 Toh et al. D9/449
D691,045 S * 10/2013 Toh et al. D9/449
D703,059 S * 4/2014 Chopdat et al. D9/529

(71) Applicant: **MTG Co., Ltd.**, Nakamura-ku,
Nagoya-shi Aichi-ken (JP)

(72) Inventor: **Tsuyoshi Matsushita**, Nagoya (JP)

(73) Assignee: **MTG, CO., LTD**, Nagoya (JP)

(**) Term: **14 Years**

(21) Appl. No.: **29/470,816**

(22) Filed: **Oct. 25, 2013**

(30) **Foreign Application Priority Data**

Apr. 30, 2013 (JP) 2013-009757

(51) **LOC (10) Cl.** **09-07**

(52) **U.S. Cl.**
USPC **D9/435**

(58) **Field of Classification Search**

USPC D3/318; D7/321, 387, 511, 526, 553.3,
D7/601, 602; D9/434, 435, 436, 441, 499,
D9/503, 504, 529, 555, 567, 770, 782;
215/200, 282, 400

See application file for complete search history.

(56) **References Cited**

U.S. PATENT DOCUMENTS

D65,098 S * 7/1924 Brewster D9/529
2,792,349 A * 5/1957 Le Vier et al. 510/148
D392,192 S * 3/1998 Fiore D9/529
D394,131 S * 5/1998 Litton D28/82
D394,210 S * 5/1998 Fiore D9/529
D397,518 S * 8/1998 Kudo D28/91
D413,263 S * 8/1999 Pritchard et al. D9/454
D495,956 S * 9/2004 Martinez D9/529
D502,649 S * 3/2005 Martinez D9/529
D525,131 S * 7/2006 Davies et al. D9/504
D582,283 S * 12/2008 O'Donahue D9/529
D648,626 S * 11/2011 Oates et al. D9/449
D656,029 S * 3/2012 Nagata D9/529

OTHER PUBLICATIONS

The Fashion Post. Madonna To Collaborate With MTG on new Skincare Brand. Feb. 14, 2014 [online], [site visited Dec. 15, 2014]. Available from Internet, <URL:http://fashionpost.jp/archives/24535?lang=en>.*

* cited by examiner

Primary Examiner — Robert M Spear

Assistant Examiner — Darcey E Helfin

(74) *Attorney, Agent, or Firm* — Scott A. Felder; Wiley Rein LLP

(57) **CLAIM**

The ornamental design for a container for cosmetics, as shown and described.

DESCRIPTION

FIG. 1 is a front, right side, and top perspective view of a container for cosmetics according to the novel design.

FIG. 2 is a front view of a container for cosmetics according to the novel design; the rear view is a mirror image of the front view.

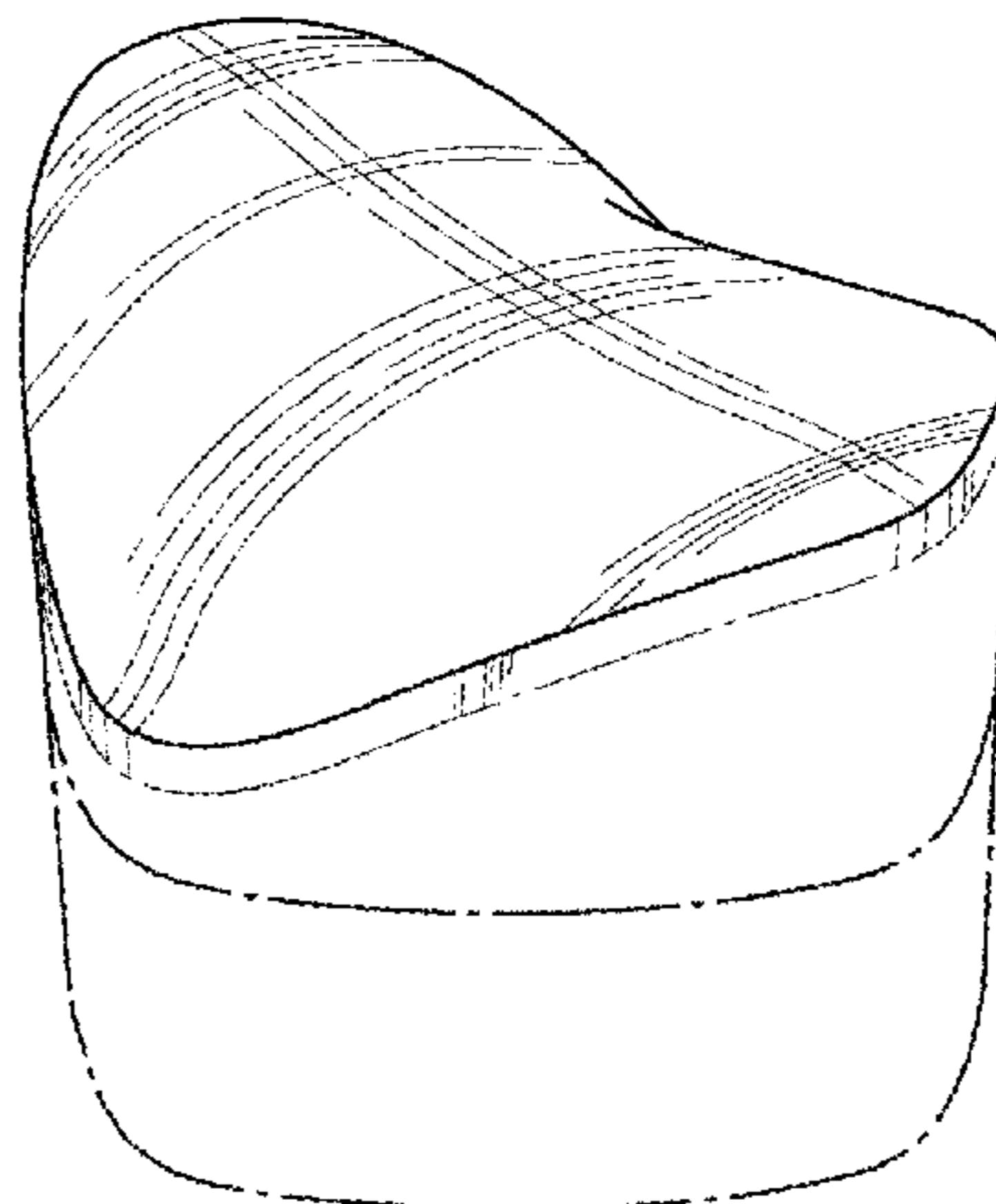
FIG. 3 is a right side of a container for cosmetics according to the novel design; the left side view is a mirror image of the right side view.

FIG. 4 is a top view of a container for cosmetics according to the novel design; and,

FIG. 5 is a bottom view of a container for cosmetics according to the novel design.

The broken lines immediately adjacent shaded surfaces represent boundaries of the claim; all other broken lines depict elements of the container lid for cosmetics that are not part of the claimed design.

1 Claim, 2 Drawing Sheets



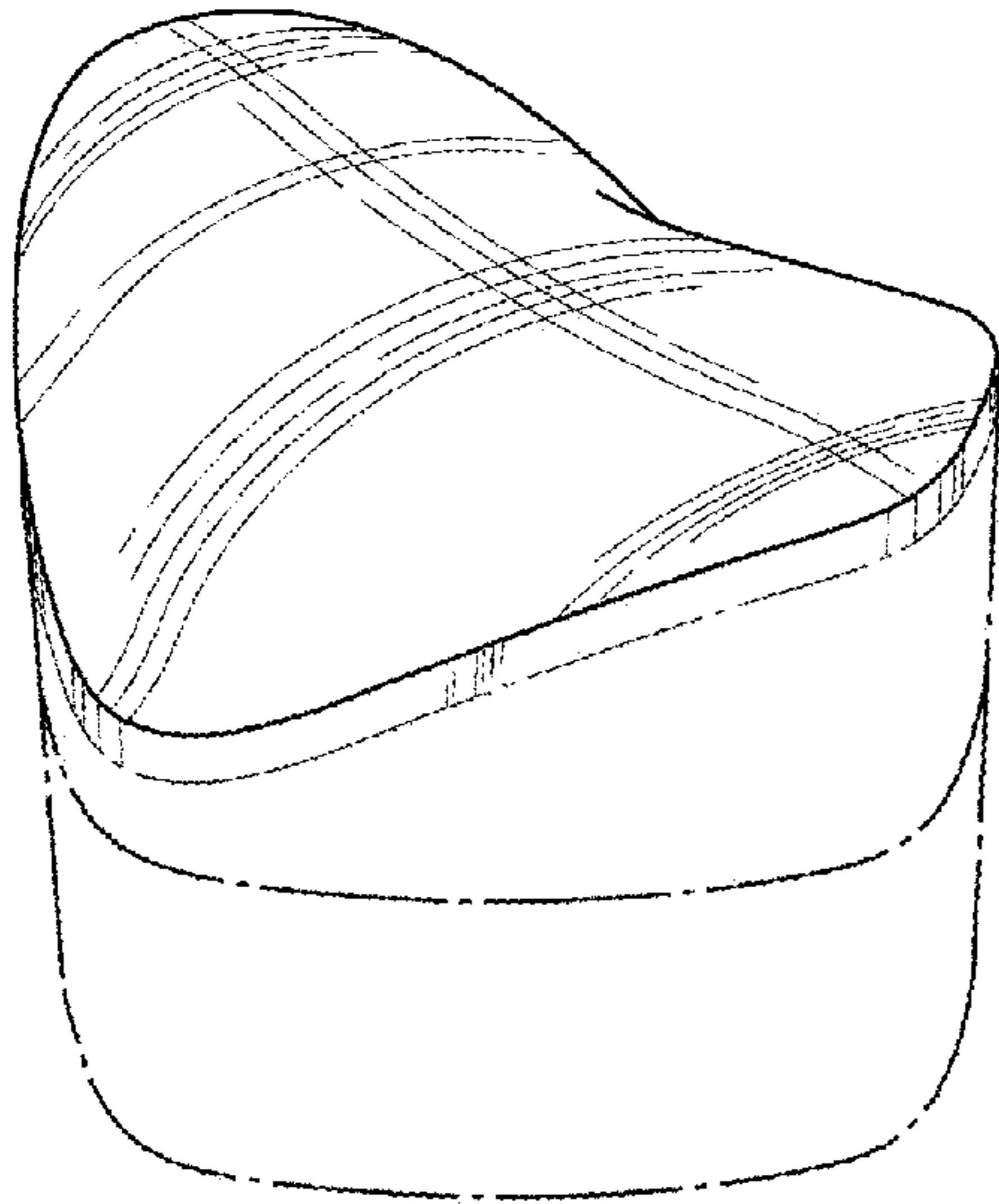


Fig.1

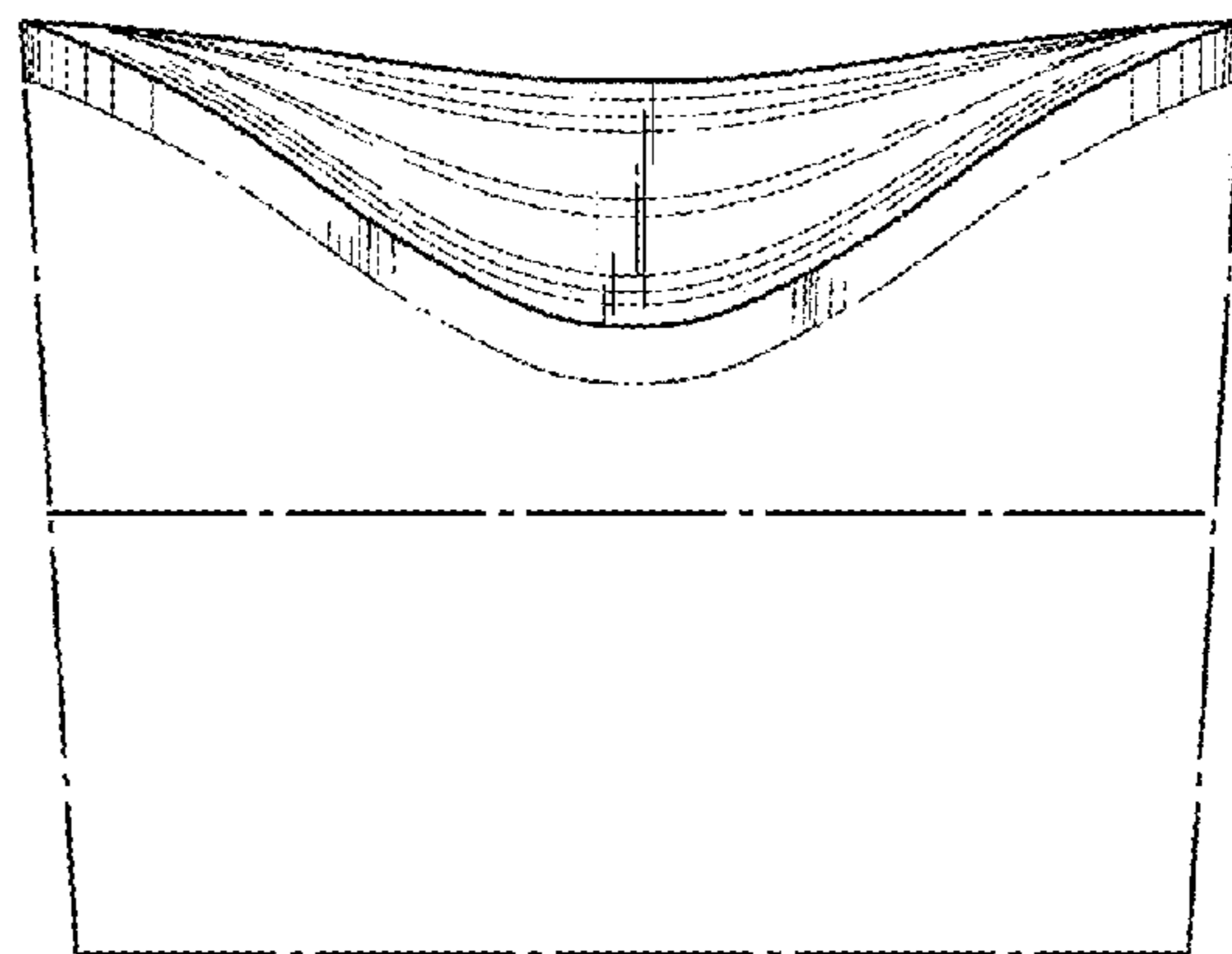


Fig.2

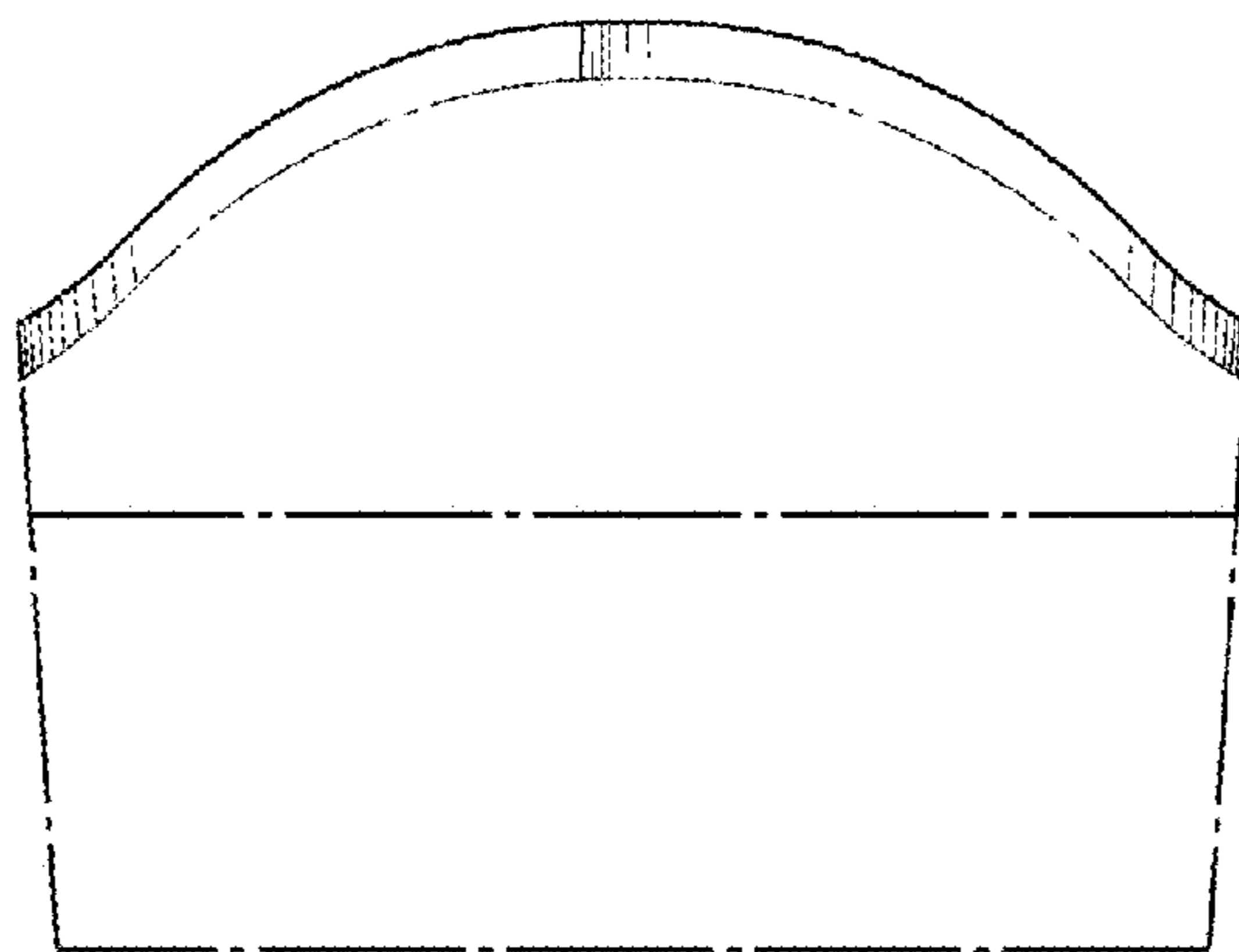


Fig.3

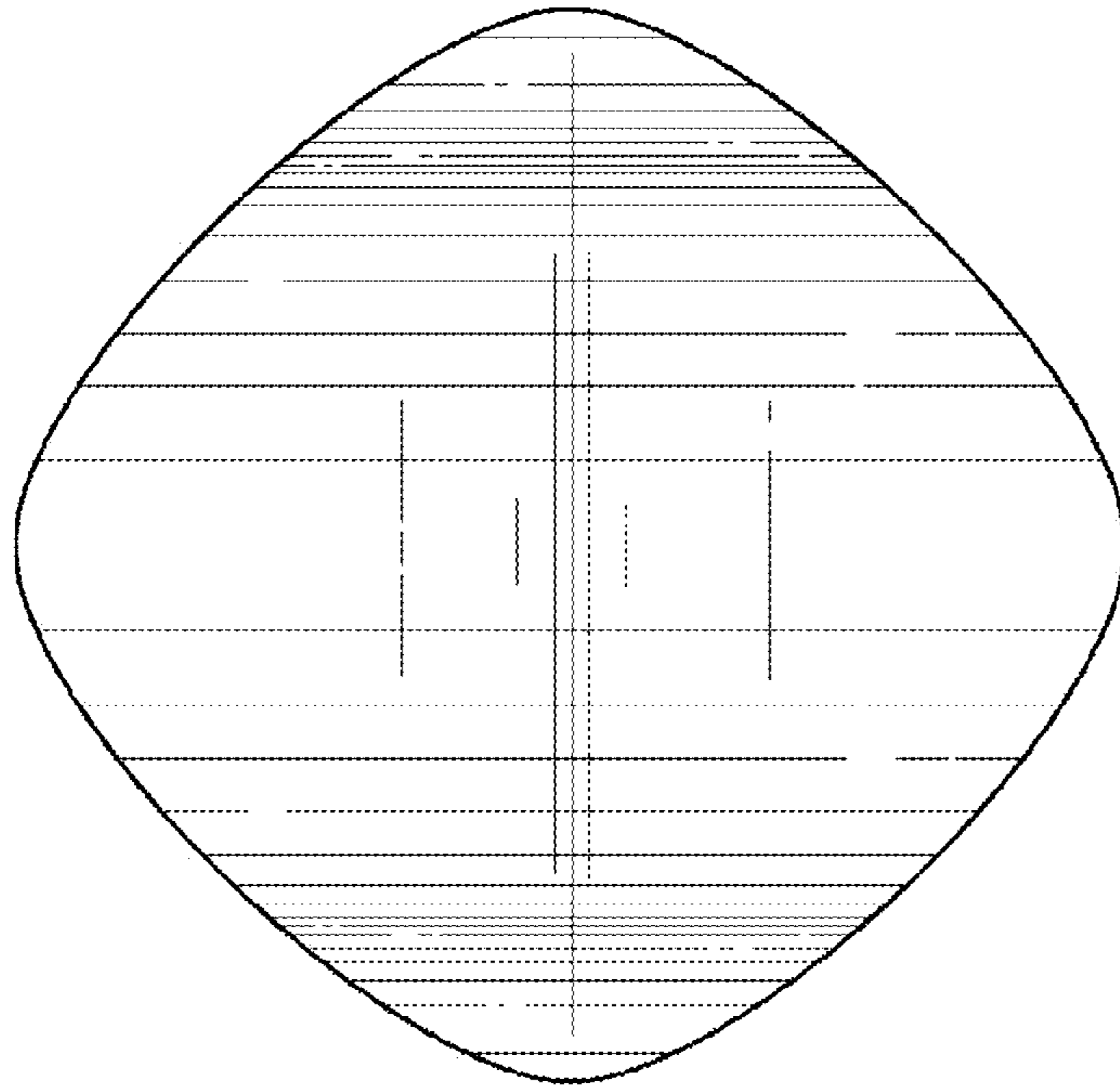


Fig. 4

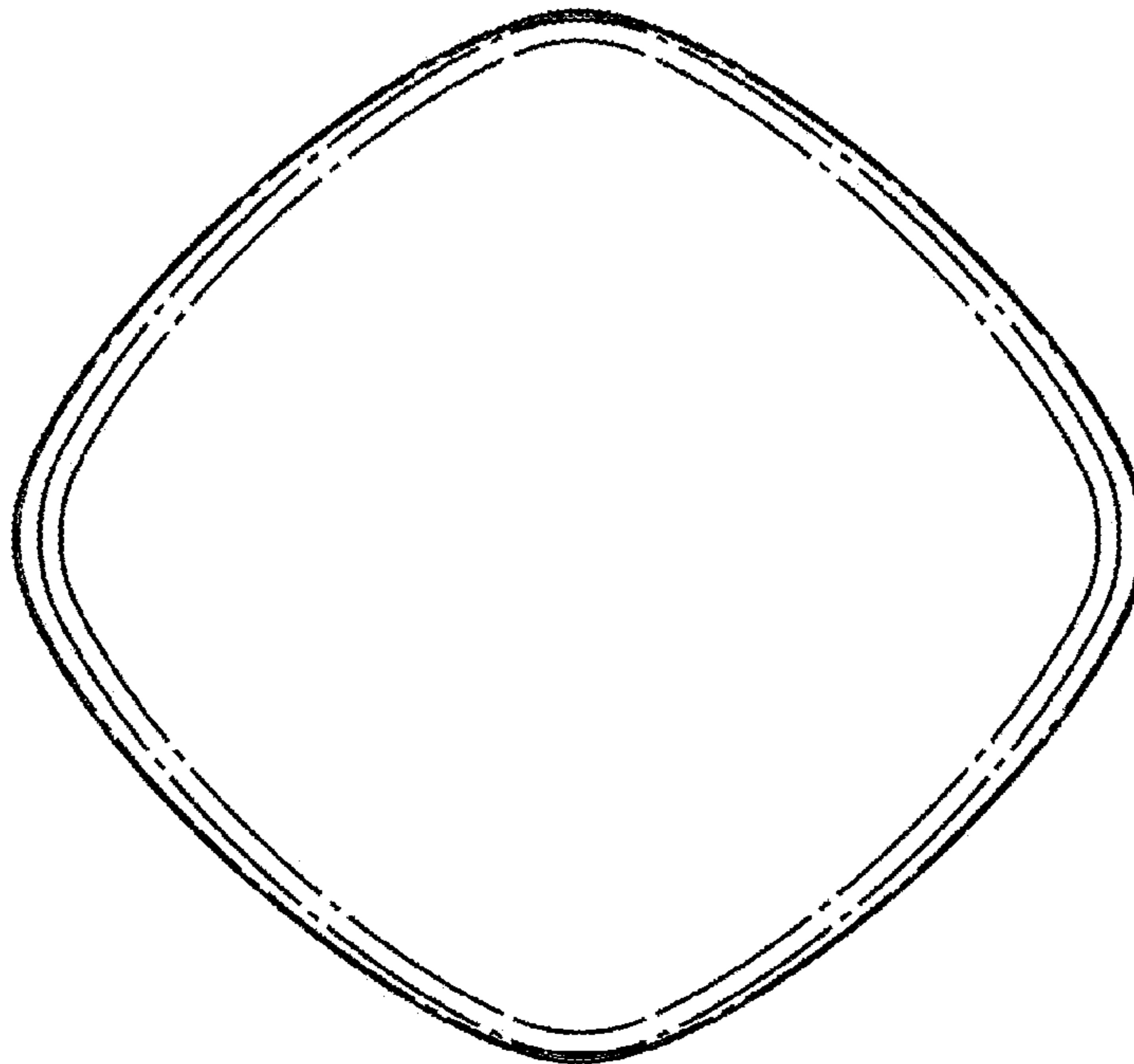


Fig. 5