

US00D730182S

(12) **United States Design Patent**
Leung et al.

(10) **Patent No.:** **US D730,182 S**
(45) **Date of Patent:** **** May 26, 2015**

(54) **EIGHT SECTION SMOOTH REACH-IN ORIFICE FOR DISPENSING COVERS ON A TUB**

(71) Applicants: **Valentin Chee Kai Leung**, Tai Wai (HK); **John Violet**, Tsuen Wan (HK)

(72) Inventors: **Valentin Chee Kai Leung**, Tai Wai (HK); **John Violet**, Tsuen Wan (HK)

(73) Assignee: **Global Dispensing Ltd**, Hong Kong (HK)

(**) Term: **14 Years**

(21) Appl. No.: **29/457,003**

(22) Filed: **Jun. 6, 2013**

(51) **LOC (10) Cl.** **09-07**

(52) **U.S. Cl.**
USPC **D9/435**

(58) **Field of Classification Search**
USPC D7/391, 392.1, 607, 608, 622, 624.2, D7/624.3, 629; D9/424, 425, 431, 432, D9/434, 435, 436, 438, 443, 444, 445, 455, D9/456; 215/223, 228, 237, 243, 252, 253, 215/256, 328, 352; 220/780, 781, 784, 796, 220/802

See application file for complete search history.

(56) **References Cited**

U.S. PATENT DOCUMENTS

D630,899 S *	1/2011	Samartgis	D7/602
D636,257 S *	4/2011	Bougoulas et al.	D9/420
D642,049 S *	7/2011	Samartgis	D9/435
D642,050 S *	7/2011	Samartgis	D9/435
D642,051 S *	7/2011	Samartgis	D9/435
D642,052 S *	7/2011	Samartgis	D9/435

D642,053 S *	7/2011	Samartgis	D9/435
D642,457 S *	8/2011	Samartgis	D9/435
D642,458 S *	8/2011	Samartgis	D9/435
D642,459 S *	8/2011	Samartgis	D9/435
D642,460 S *	8/2011	Samartgis	D9/435
D642,461 S *	8/2011	Samartgis	D9/435
D642,462 S *	8/2011	Samartgis	D9/435
D642,905 S *	8/2011	Samartgis	D9/424
D642,906 S *	8/2011	Samartgis	D9/424
D642,907 S *	8/2011	Samartgis	D9/424
D643,710 S *	8/2011	Samartgis	D9/424
D643,711 S *	8/2011	Samartgis	D9/424
D643,712 S *	8/2011	Samartgis	D9/424
D661,403 S *	6/2012	Connelly et al.	D24/224
D706,573 S *	6/2014	Carlson	D7/391

* cited by examiner

Primary Examiner — Susan Bennett Hattan

Assistant Examiner — Leanne Was

(74) *Attorney, Agent, or Firm* — White-Welker & Welker, LLC; Matthew T. Welker, Esq.

(57) **CLAIM**

We claim the ornamental design for an eight section smooth reach-in orifice for dispensing covers on a tub.

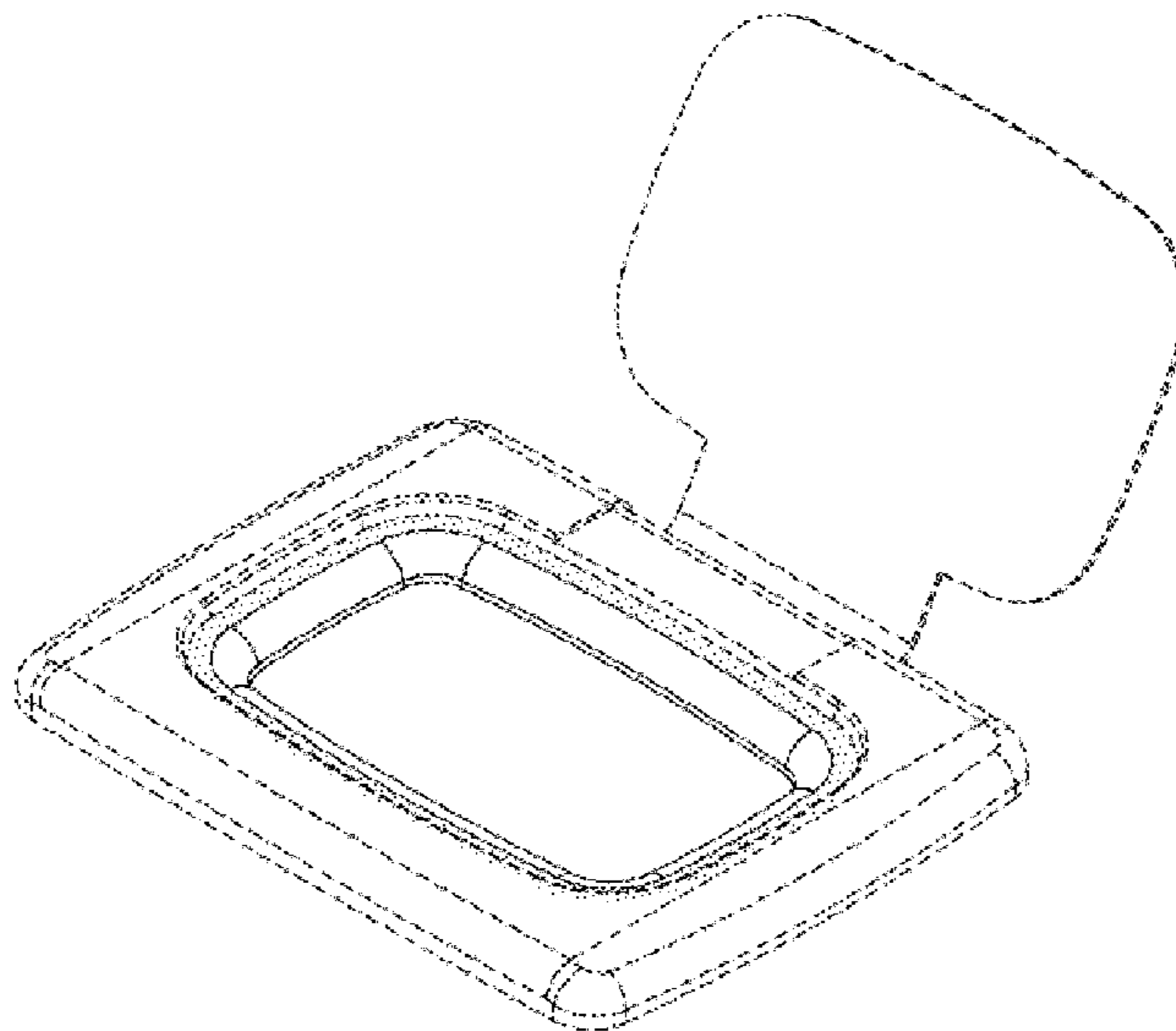
DESCRIPTION

FIG. 1 is a front, top perspective view of an eight section smooth reach-in orifice for dispensing covers on a tub showing the design;

FIG. 2 is a top planar view of an eight section smooth reach-in orifice for dispensing covers on a tub showing the design; and, FIG. 3 is a bottom planar view of an eight section smooth reach-in orifice for dispensing covers on a tub showing the design.

The broken lines in the drawing depict environmental subject matter only and form no part of the claimed design.

1 Claim, 3 Drawing Sheets



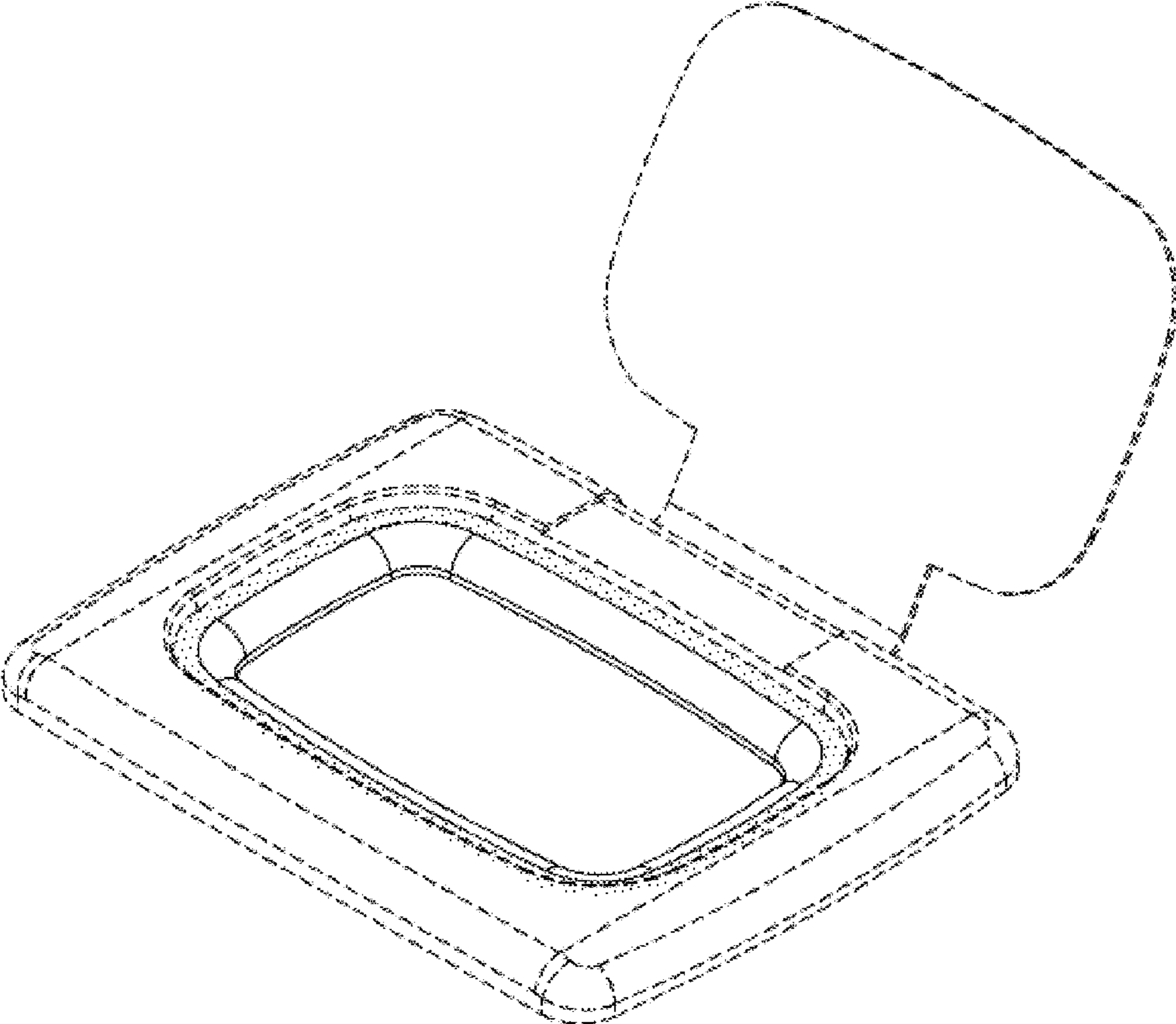


Fig. 1

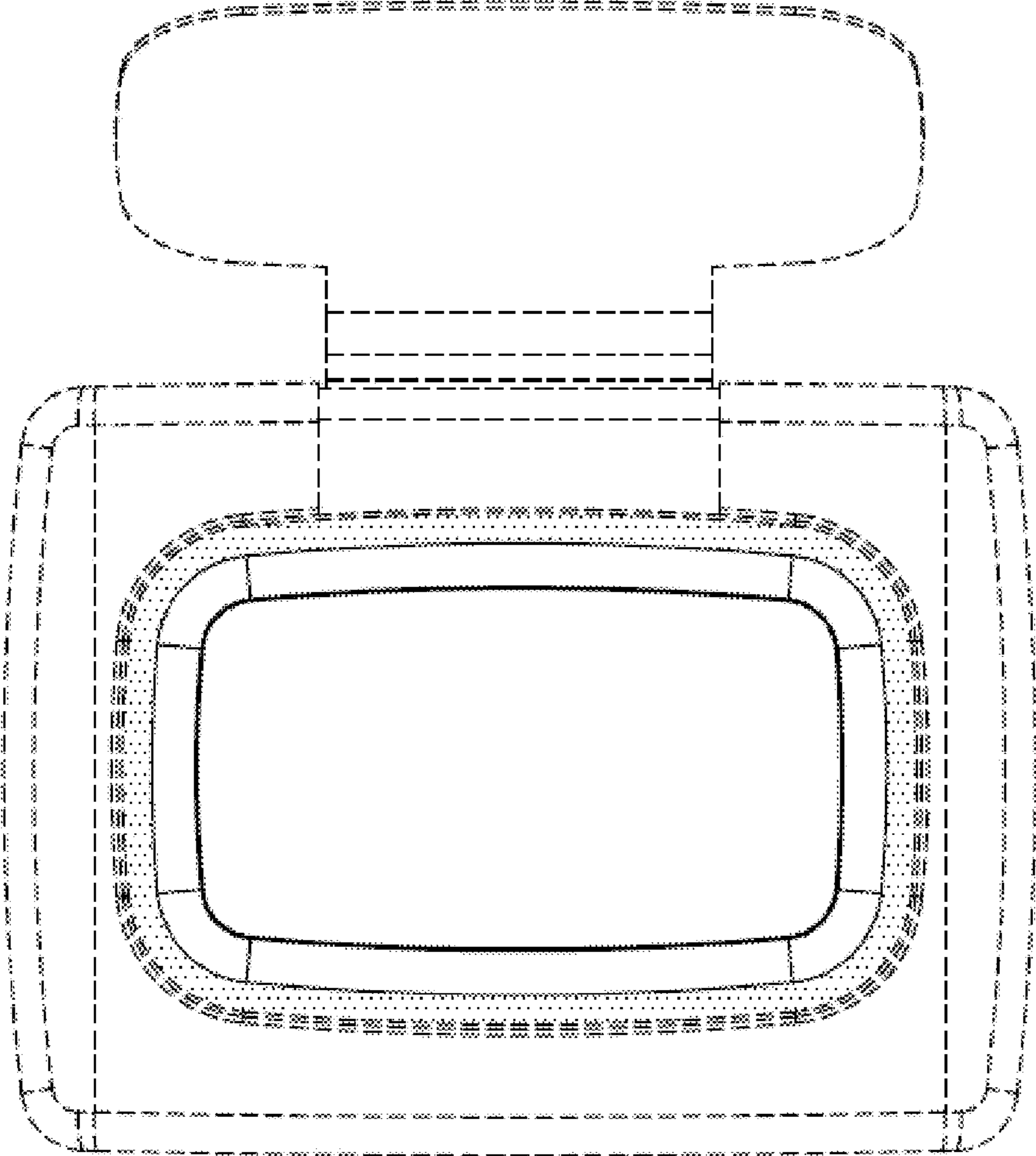


Fig. 2

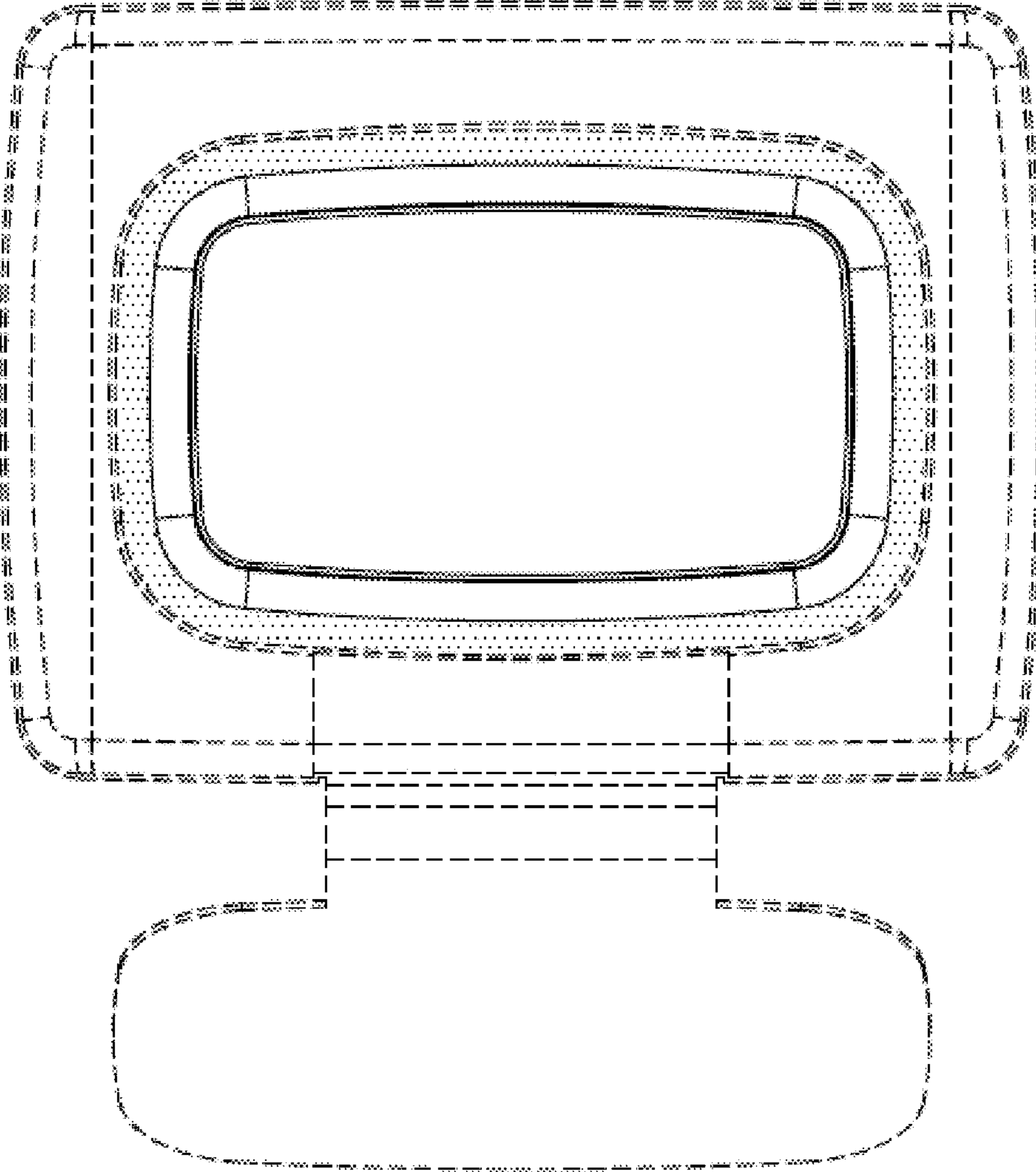


Fig. 3