

US00D730181S

(12) **United States Design Patent**
Leung et al.

(10) **Patent No.:** **US D730,181 S**

(45) **Date of Patent:** **** May 26, 2015**

(54) **FOUR SECTION SMOOTH REACH-IN
ORIFICE FOR DISPENSING COVERS ON A
TUB**

(71) Applicants: **Valentin Chee Kai Leung**, Tai Wai
(HK); **John Violet**, Tsuen Wan (HK)

(72) Inventors: **Valentin Chee Kai Leung**, Tai Wai
(HK); **John Violet**, Tsuen Wan (HK)

(73) Assignee: **Global Dispensing Ltd**, Hong Kong
(HK)

(**) Term: **14 Years**

(21) Appl. No.: **29/457,001**

(22) Filed: **Jun. 6, 2013**

(51) **LOC (10) Cl.** **09-07**

(52) **U.S. Cl.**
USPC **D9/435**

(58) **Field of Classification Search**
USPC D7/615; D9/414, 423, 432, 433, 435,
D9/443, 516, 560, 574; D32/36, 37;
D34/1-11; 220/262, 263, 780, 789,
220/796

See application file for complete search history.

(56) **References Cited**

U.S. PATENT DOCUMENTS

D403,582	S	*	1/1999	Nask et al.	D9/435
D403,583	S	*	1/1999	Nask et al.	D9/435
D420,182	S	*	2/2000	Roudebush	D32/37
D422,176	S	*	4/2000	Laib	D7/392.1
D431,888	S	*	10/2000	Roudebush	D32/53
2014/0001196	A1	*	1/2014	Bushman et al.	221/45

* cited by examiner

Primary Examiner — Susan Hattan

Assistant Examiner — Leanne Was

(74) *Attorney, Agent, or Firm* — White-Welker & Welker,
LLP; Matthew T. Welker, Esq.

(57) **CLAIM**

We claim the ornamental design for a four section smooth reach-in orifice for dispensing covers on a tub.

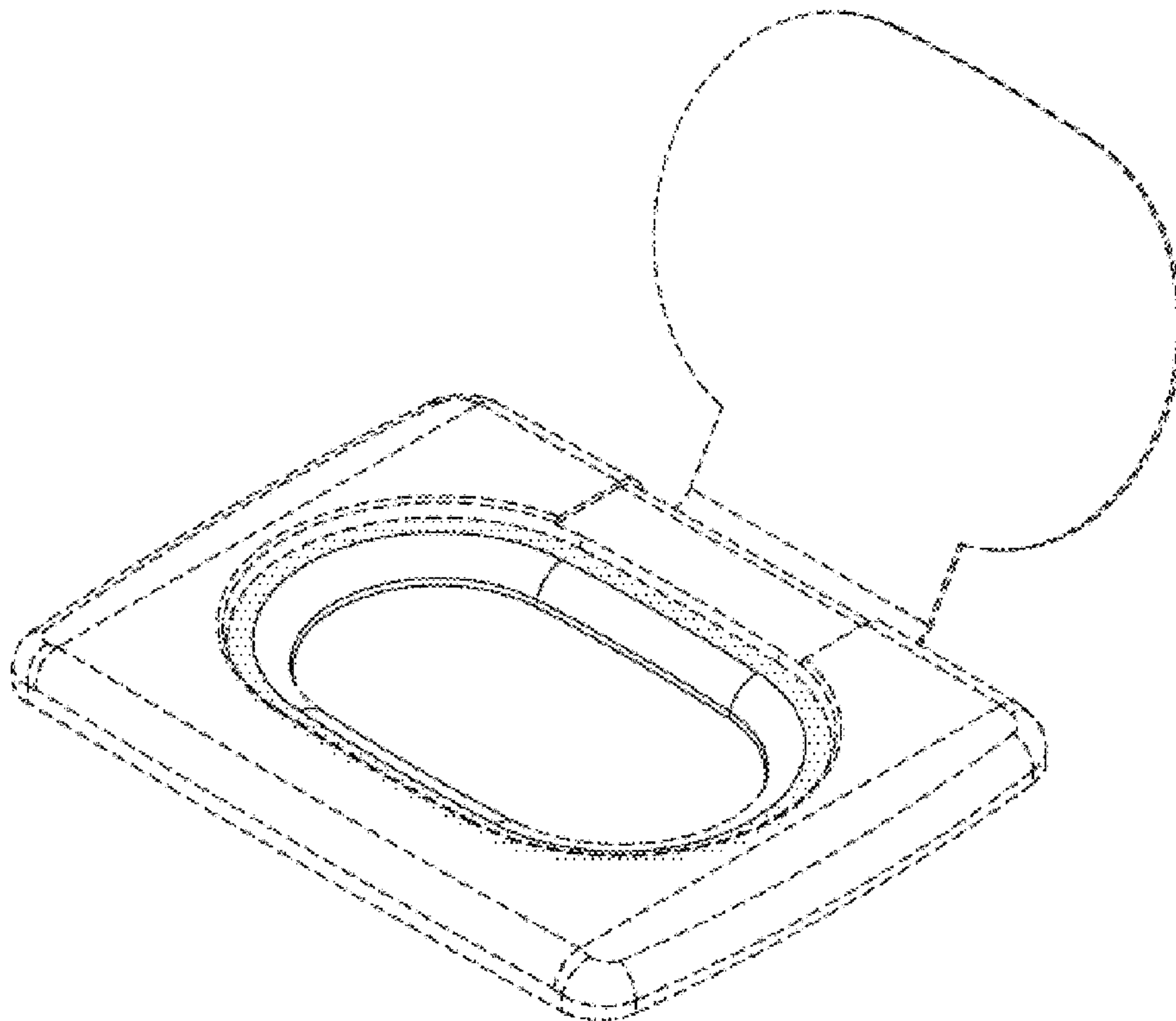
DESCRIPTION

FIG. 1 is a front, top perspective view of the four section smooth reach-in orifice for dispensing covers on a tub showing the design;

FIG. 2 is a top planar view of the four section smooth reach-in orifice for dispensing covers on a tub showing the design; and, FIG. 3 is a bottom planar view of the four section smooth reach-in orifice for dispensing covers on a tub showing the design.

The broken lines in the drawing depict environmental subject matter only and form no part of the claimed design.

1 Claim, 3 Drawing Sheets



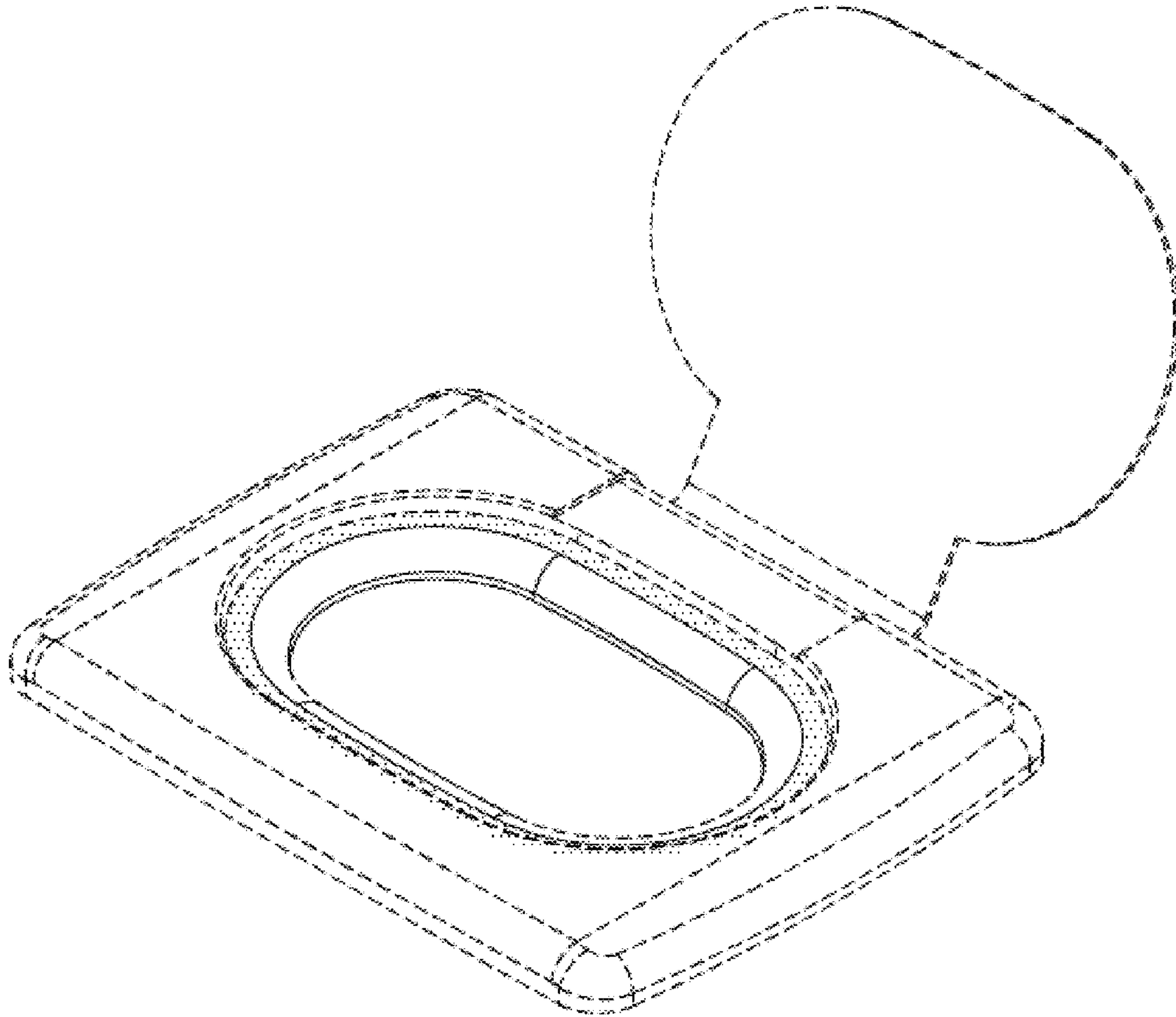


Fig. 1

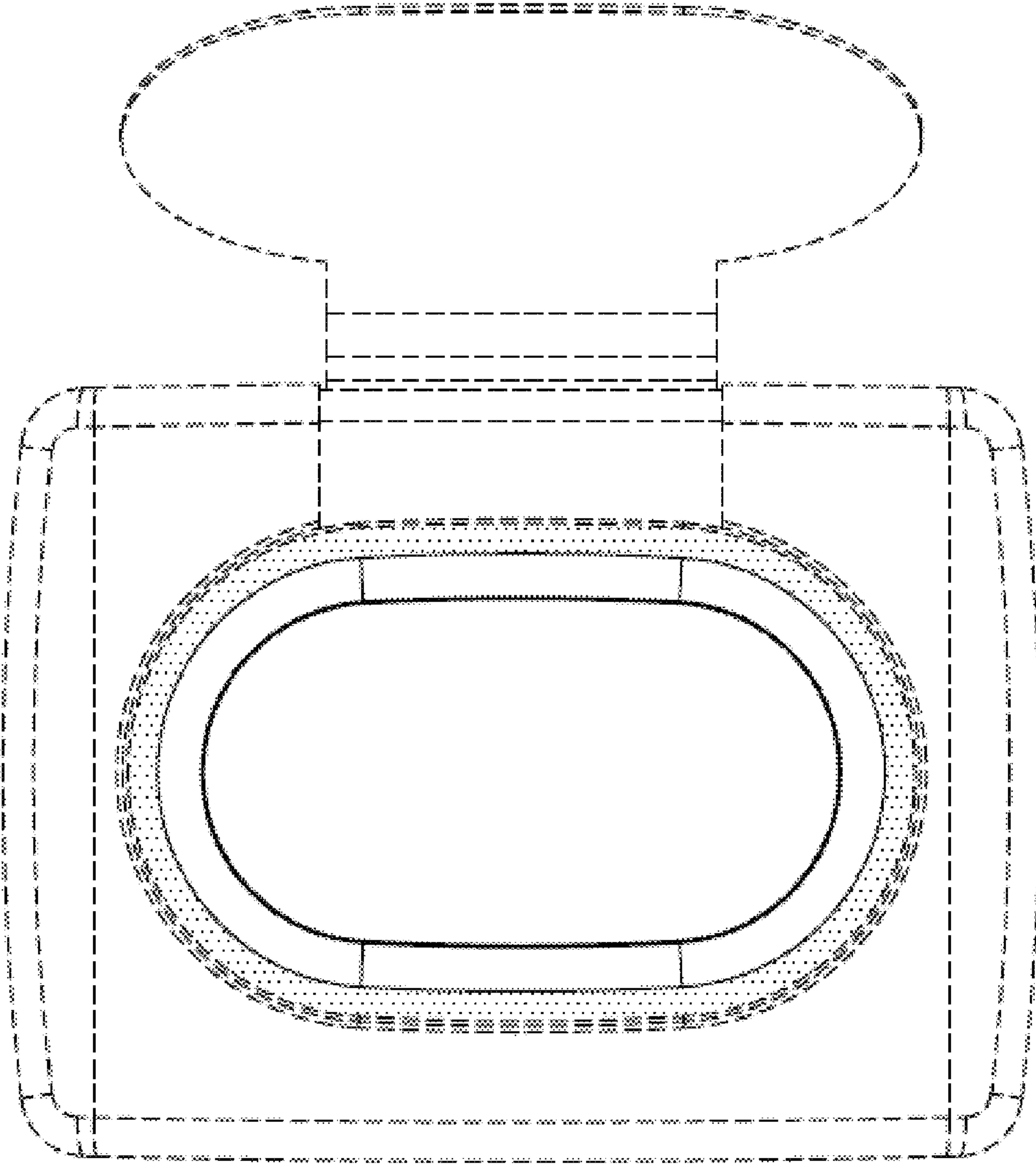


Fig. 2

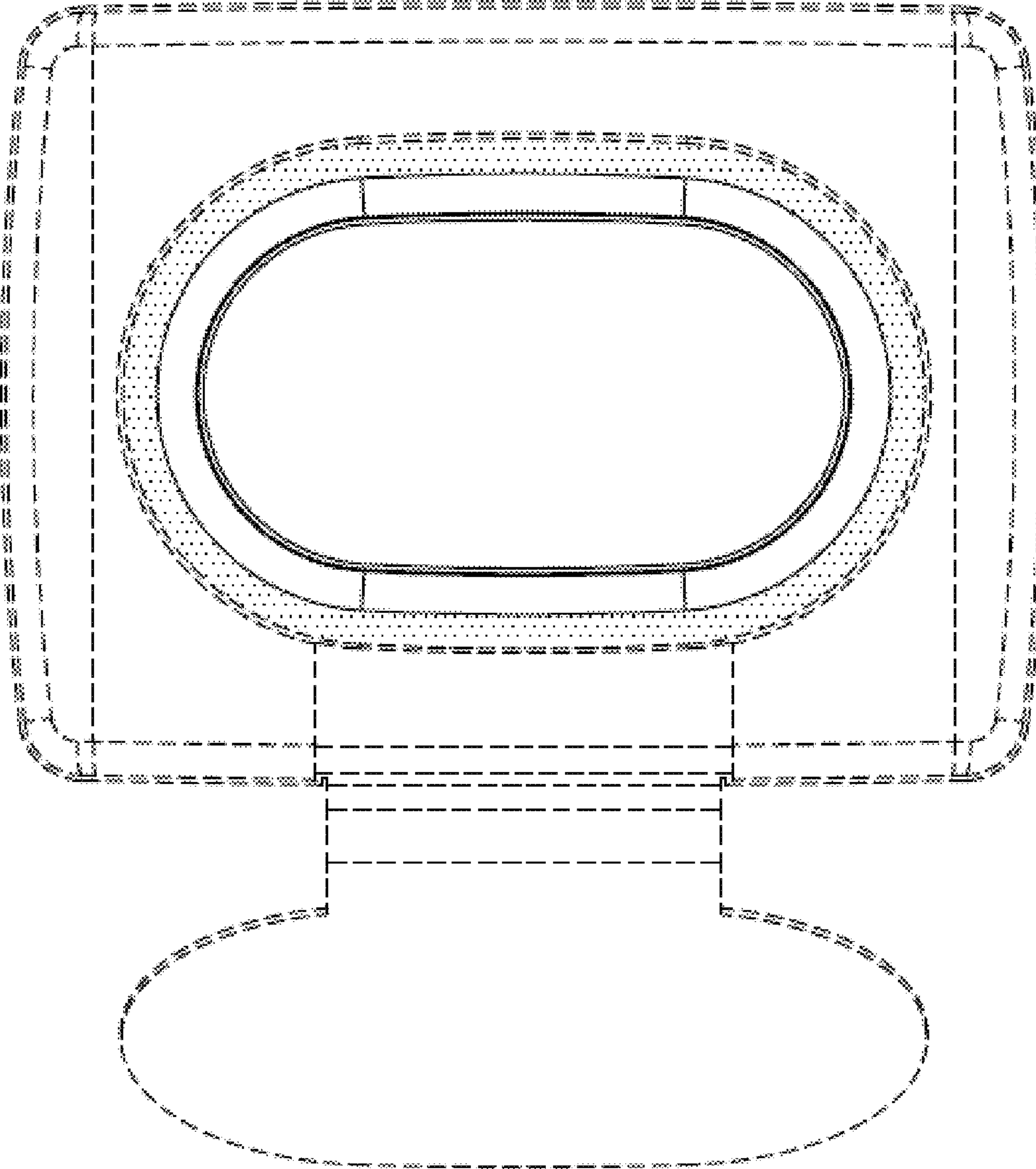


Fig. 3