



US00D730175S

(12) **United States Design Patent**
Barad et al.

(10) **Patent No.:** **US D730,175 S**

(45) **Date of Patent:** **** May 26, 2015**

(54) **PACKAGING**

(71) Applicant: **Microsoft Corporation**, Redmond, WA (US)

(72) Inventors: **Vivian Barad**, San Francisco, CA (US); **Ricardo Figueiroa Monteiro**, San Francisco, CA (US); **Scott Tong**, San Francisco, CA (US); **Jeffrey Allen Loth**, Sammamish, WA (US); **Robyn Lynne Yoder**, North Bend, WA (US)

(73) Assignee: **Microsoft Corporation**, Redmond, WA (US)

(**) Term: **14 Years**

(21) Appl. No.: **29/449,971**

(22) Filed: **Mar. 15, 2013**

(51) **LOC (10) Cl.** **09-03**

(52) **U.S. Cl.**
USPC **D9/432**

(58) **Field of Classification Search**
USPC D6/406.4, 632, 630; D9/414, 416, D9/420-426, 430, 432, 433, 435, 522, 572, D9/575, 701, 702, 710, 715; D14/474-479; 206/307, 307.1, 206/308.1-308.3, 387.13, 472

See application file for complete search history.

(56) **References Cited**

U.S. PATENT DOCUMENTS

D417,812 S * 12/1999 Rubin D6/632
D434,652 S * 12/2000 Mori D9/701
D540,665 S * 4/2007 Gupta et al. D9/732

D560,487 S 1/2008 Boettcher et al.
D561,604 S * 2/2008 Galor D9/702
D614,025 S * 4/2010 Paredes et al. D9/432
D622,590 S * 8/2010 Tayama D9/432
D623,937 S * 9/2010 Tearle D9/423
D656,768 S * 4/2012 Zealer D6/632
D661,016 S * 5/2012 Borges et al. D27/189
D661,996 S * 6/2012 Hollyman D9/702
2009/0159473 A1 * 6/2009 Roth et al. 206/308.1
2011/0036734 A1 * 2/2011 Meador, III 206/308.1
2011/0062037 A1 * 3/2011 Bertuzzi et al. 206/267

* cited by examiner

Primary Examiner — Robert M Spear

Assistant Examiner — Keith Frank

(74) *Attorney, Agent, or Firm* — Banner & Witcoff, Ltd.

(57) **CLAIM**

The ornamental design for packaging, as shown and described.

DESCRIPTION

FIG. 1 is a front perspective view of the packaging showing our new design;

FIG. 2 is a bottom view thereof;

FIG. 3 is a top view thereof;

FIG. 4 is a right side view thereof;

FIG. 5 is a left side view thereof;

FIG. 6 is a front view thereof; and,

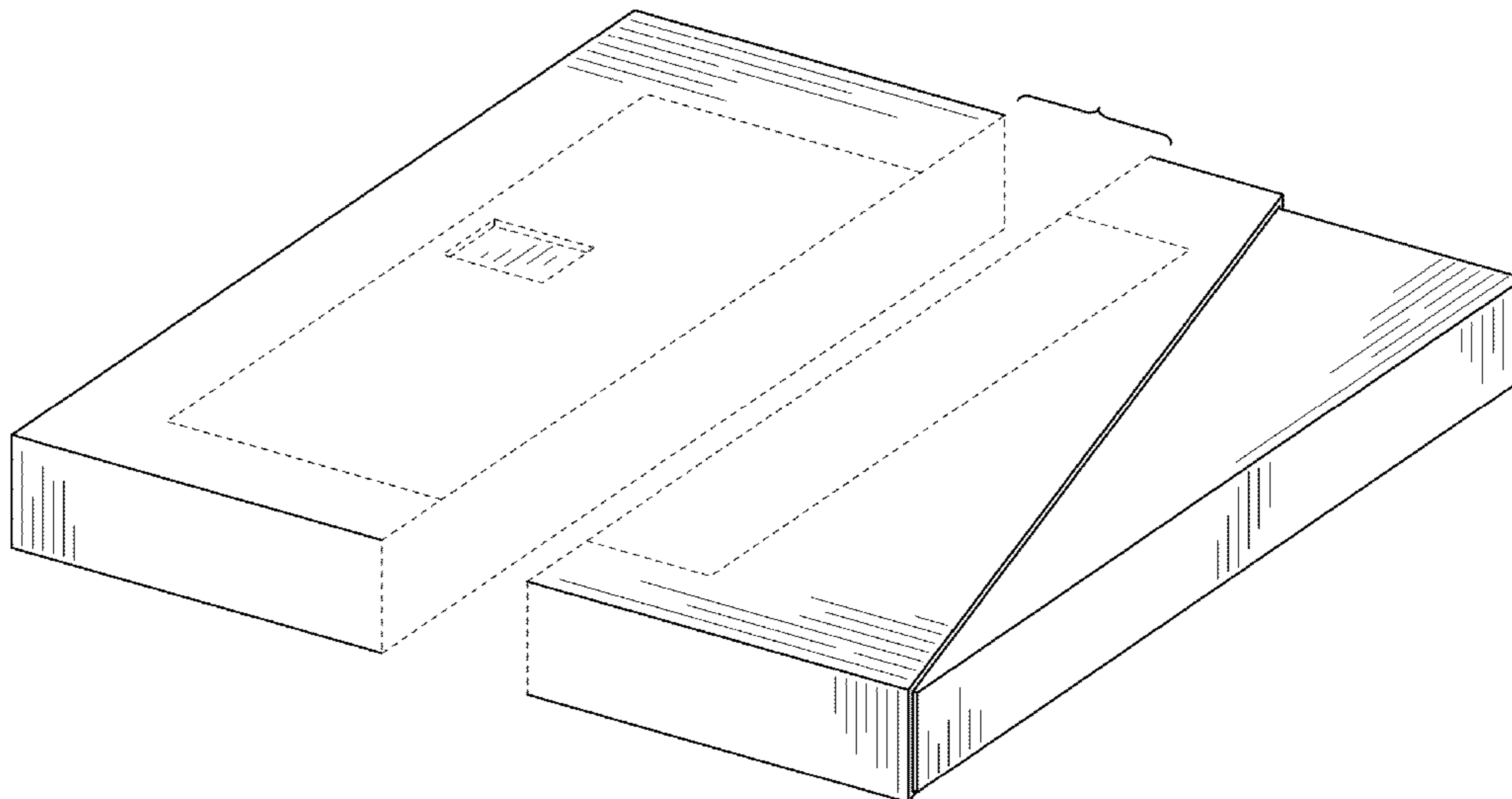
FIG. 7 is a rear view thereof.

The broken line showing of the front surface portions and the unshaded region therein depicts environmental subject matter only and forms no part of the claimed design.

The packaging is shown with a symbolic break in its width.

The appearance of any portion of the article between the break lines forms no part of the claimed design.

1 Claim, 4 Drawing Sheets



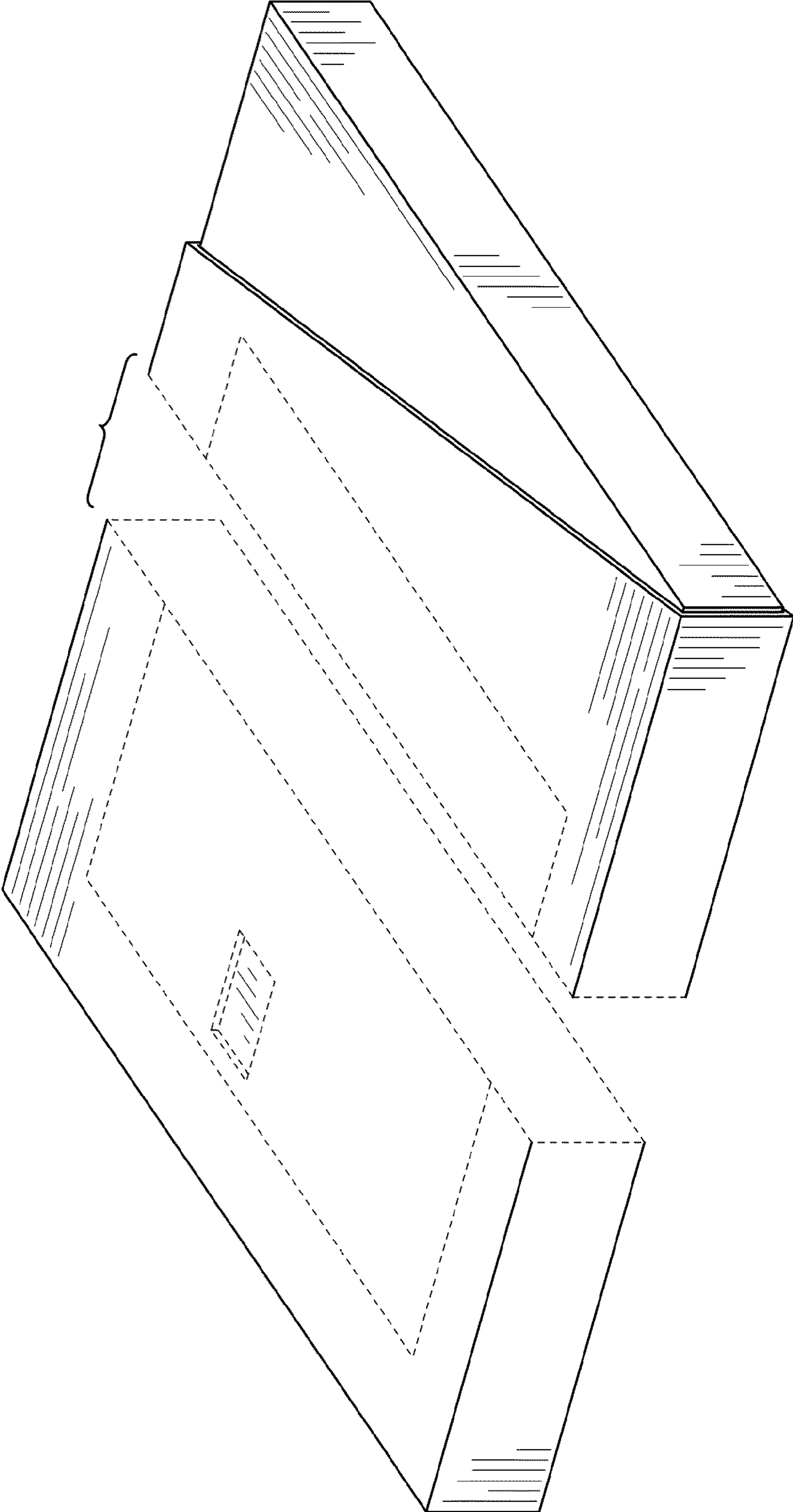


FIG. 1

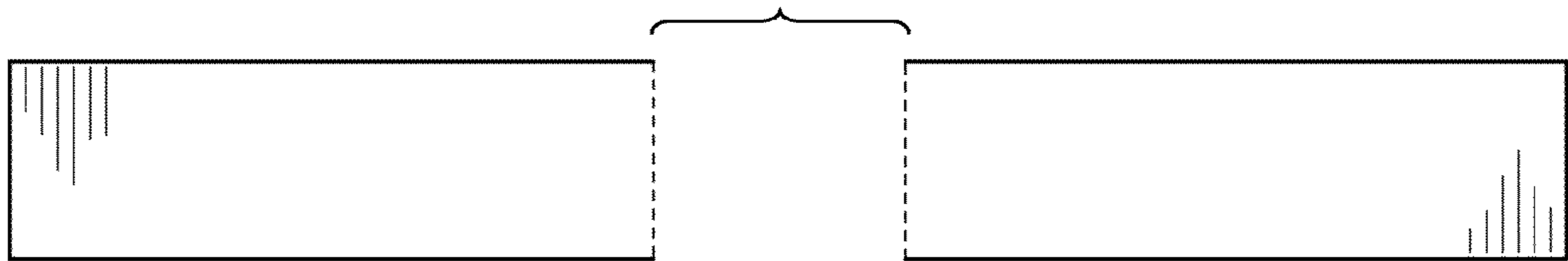


FIG. 2

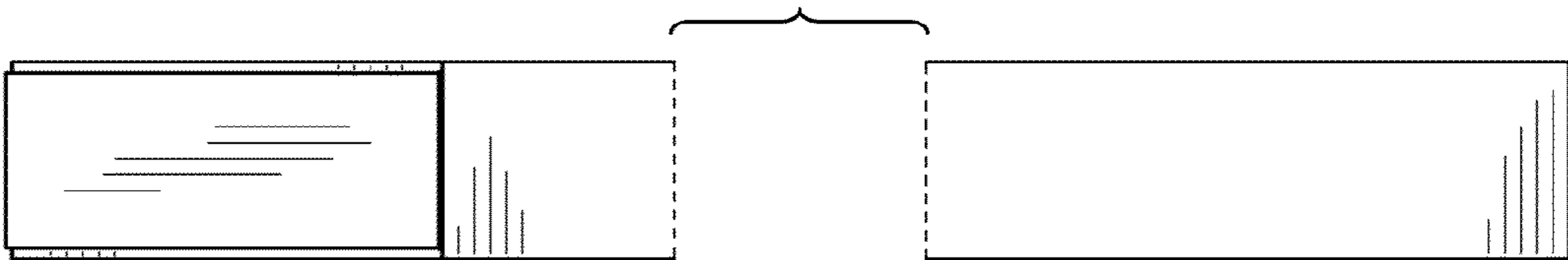


FIG. 3

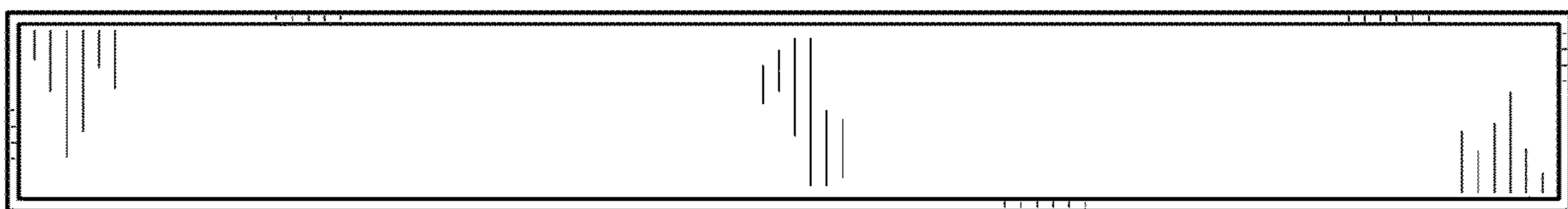


FIG. 4

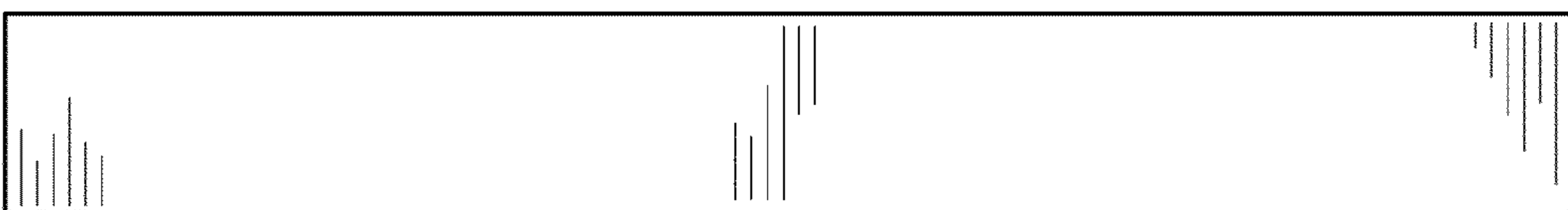


FIG. 5

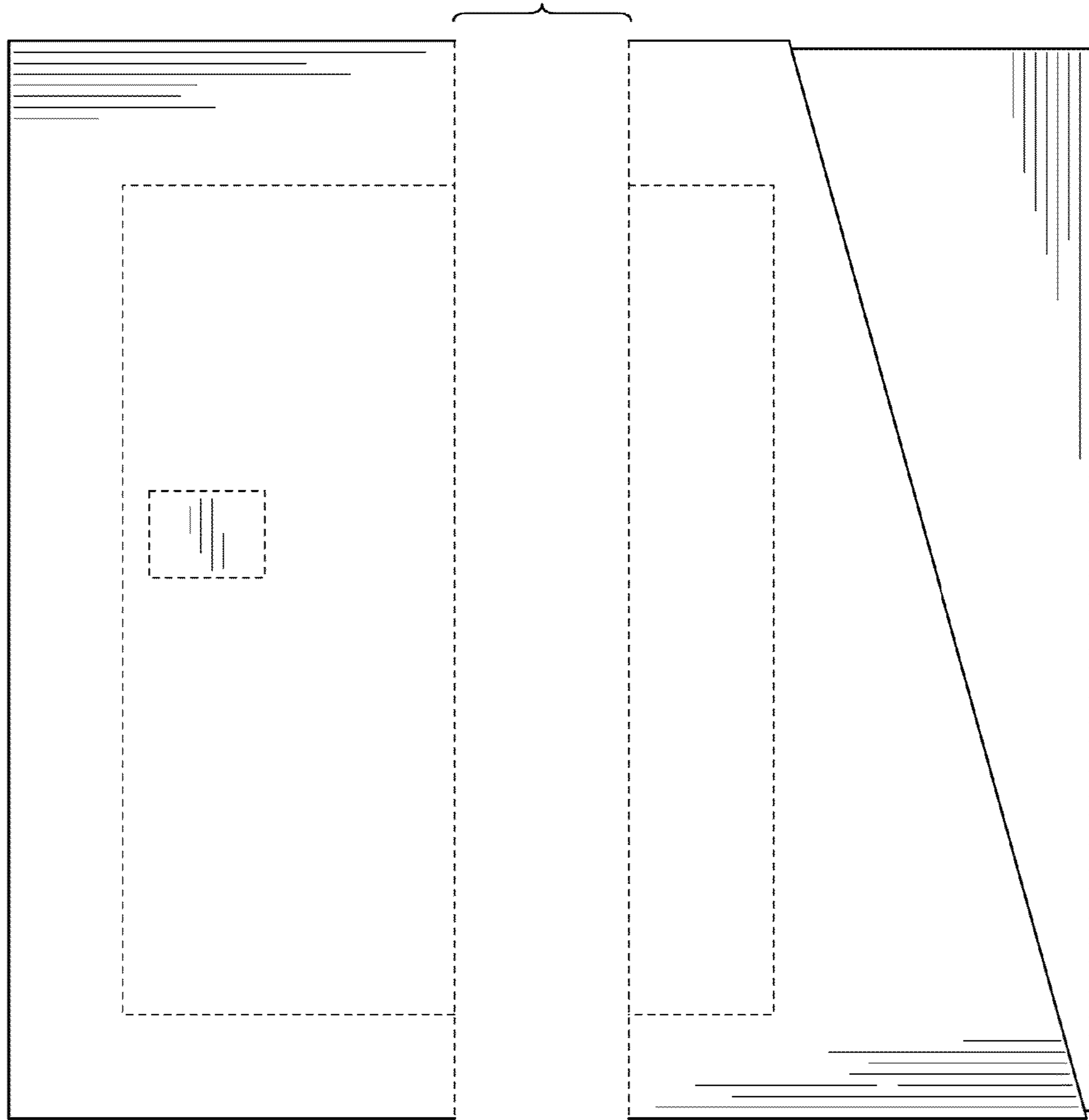


FIG. 6

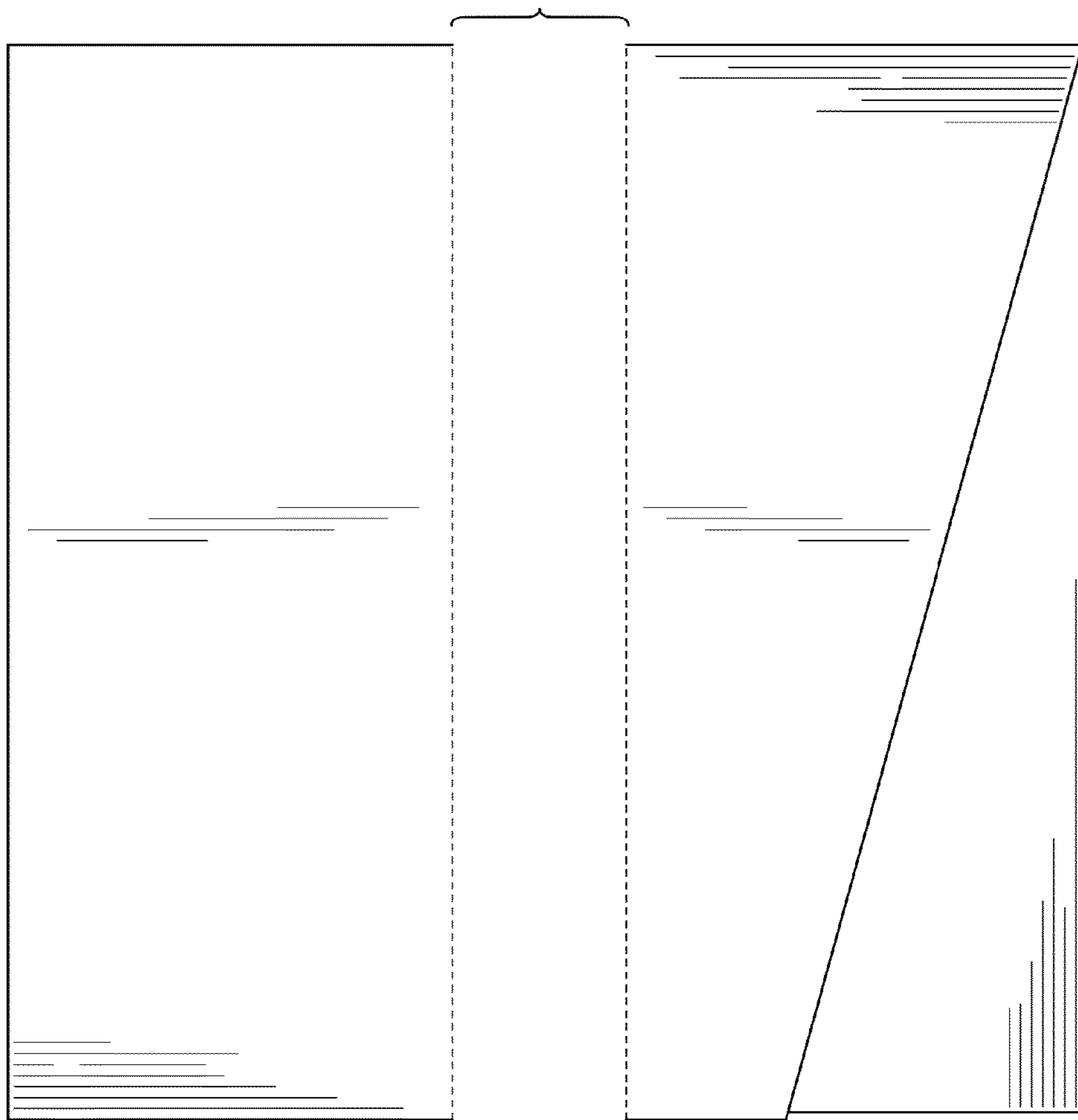


FIG. 7