



US00D730172S

(12) **United States Design Patent**
Asai

(10) **Patent No.:** **US D730,172 S**
(45) **Date of Patent:** **** May 26, 2015**

(54) **PACKAGING CONTAINER**

FOREIGN PATENT DOCUMENTS

(71) Applicant: **CHOKOKU PLANT CORPORATION**, Osaka-shi, Osaka (JP)

FR 1 461 469 2/1966
JP 47-5223 9/1972

(Continued)

(72) Inventor: **Kenichi Asai**, Neyagawa (JP)

OTHER PUBLICATIONS

(73) Assignee: **CHOKOKU PLAST CORPORATION**, Osaka-shi, Osaka (JP)

Form PCT/ISA/220 Notification of Transmittal of International Search Report issued in Application No. PCT/JP2013/058281 dated Jun. 18, 2013 (1 page).

(Continued)

(**) Term: **14 Years**

Primary Examiner — Susan Bennett Hattan

(21) Appl. No.: **29/450,939**

Assistant Examiner — Vy Koenig

(22) Filed: **Mar. 26, 2013**

(74) *Attorney, Agent, or Firm* — Flynn, Thiel, Boutell & Tanis, P.C.

(30) **Foreign Application Priority Data**

(57) **CLAIM**

The ornamental design for a packaging container, as shown and described.

Sep. 28, 2012 (JP) 2012-23844
Sep. 28, 2012 (JP) 2012-23853
Oct. 3, 2012 (JP) 2012-221636
Mar. 22, 2013 (JP) PCT/JP2013/058281

DESCRIPTION

(51) **LOC (10) Cl.** **09-03**

(52) **U.S. Cl.**
USPC **D9/417; D9/432**

(58) **Field of Classification Search**
CPC B65D 5/00; B65D 5/0015; B65D 5/0045;
B65D 5/18; B65D 5/40; B65D 5/2033;
B65D 1/22; B65D 1/225; B65D 1/24; B65D
1/34; B65D 1/38
USPC D9/414-433, 444-445, 456, 711, 715,
D9/718, 748; D7/601, 602, 538, 540,
D7/550.1; D3/203.5, 202, 207, 210;
D4/116
See application file for complete search history.

FIG. 1 is a front elevational perspective view of an embodiment of a packaging container of my design;
FIG. 2 is a rear elevational perspective view of thereof;
FIG. 3 is a front elevational view thereof;
FIG. 4 is a rear elevational view thereof;
FIG. 5 is a right side elevational view thereof;
FIG. 6 is a left side elevational view thereof;
FIG. 7 is a top plan view thereof;
FIG. 8 is a bottom plan view thereof;
FIG. 9 is a sectional view taken along plane 9-9 of FIG. 3;
FIG. 10 is a front elevational perspective view of a second embodiment of a packaging container of my design;
FIG. 11 is a rear elevational perspective view of thereof;
FIG. 12 is a front elevational view thereof;
FIG. 13 is a rear elevational view thereof;
FIG. 14 is a right side elevational view thereof, the left side elevational view thereof being a mirror image and symmetrical to the right side elevational view thereof and being omitted;
FIG. 15 is a top plan view thereof;
FIG. 16 is a bottom plan view thereof; and,
FIG. 17 is a sectional view taken along plane 17-17 of FIG. 12.

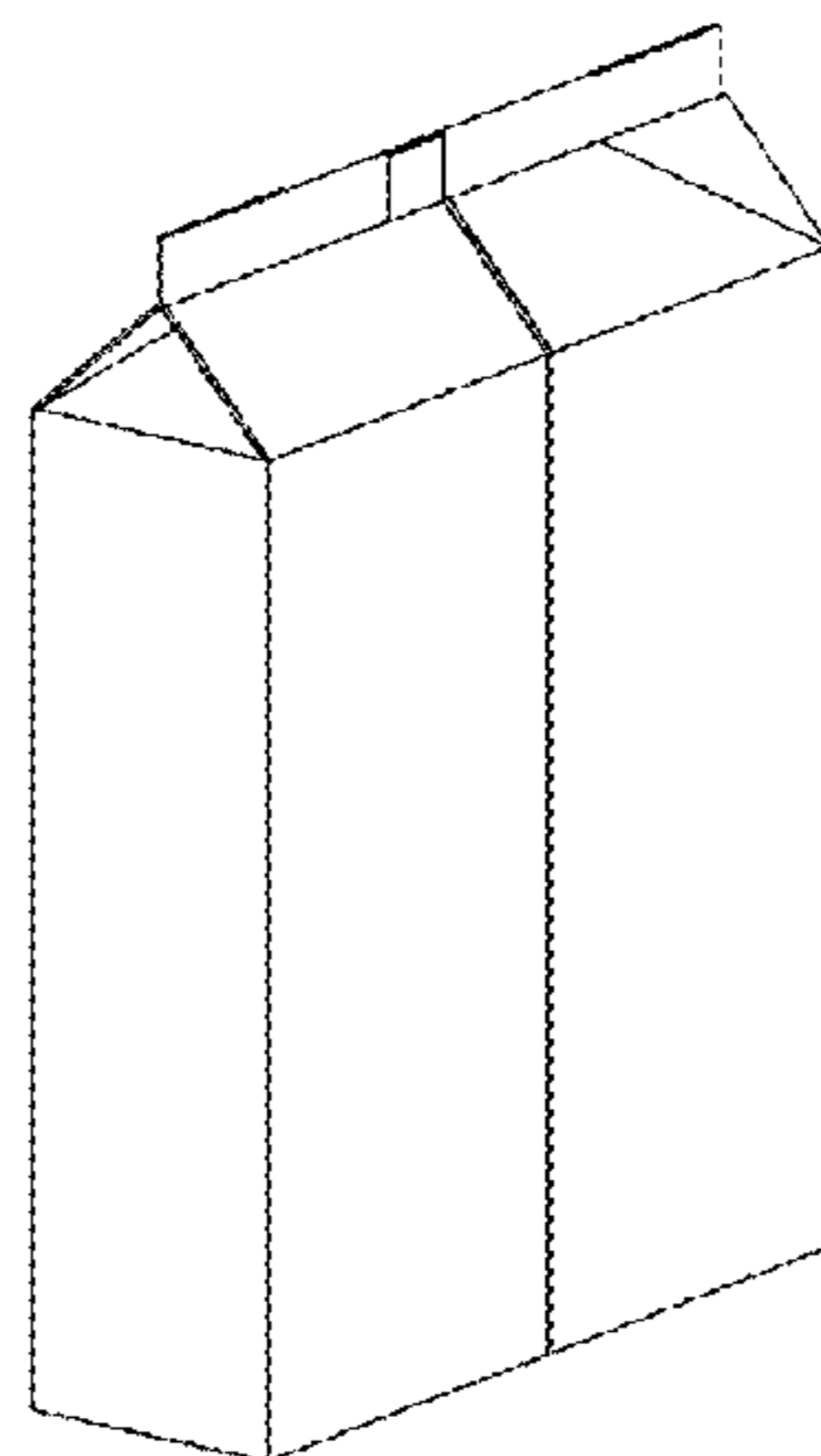
(56) **References Cited**

U.S. PATENT DOCUMENTS

3,163,350 A * 12/1964 Zinn 229/214
3,167,232 A 1/1965 Partridge

(Continued)

1 Claim, 9 Drawing Sheets



(56)

References Cited

OTHER PUBLICATIONS

U.S. PATENT DOCUMENTS

3,197,112	A *	7/1965	Meyer-Jagenberg	229/101
3,924,796	A *	12/1975	Rausing et al.	229/214
4,483,464	A *	11/1984	Nomura	222/83
5,683,339	A *	11/1997	Mills et al.	493/58
5,744,289	A *	4/1998	Kobayashi et al.	430/465
D486,390	S *	2/2004	Auclair et al.	D9/416
D532,702	S *	11/2006	Berman	D9/708
D583,680	S *	12/2008	Berman	D9/707
D597,853	S *	8/2009	Kerr et al.	D9/705
D601,417	S *	10/2009	Berman	D9/431
D690,590	S *	10/2013	Fux	D9/431

FOREIGN PATENT DOCUMENTS

JP	2000-203598	A	7/2000
JP	2000-211637	A	8/2000
JP	2000-229662	A	8/2000

Form PCT/ISA/210 International Search Report with English translation issued in Application No. PCT/JP2013/058281 dated Jun. 18, 2013 (4 pages).

Form PCT/ISA/237 Written Opinion of the International Searching Authority with English translation issued in Application No. PCT/JP2013/058281 dated Jun. 18, 2013 (7 pages).

Form PCT/IB/338 English translation of Notification of Transmittal of copies of Translation of International Preliminary Report issued in Application No. PCT/JP2013/058281 dated Oct. 2, 2014 (1 page).

Form PCT/IB/373 English translation of International Preliminary Report of Patentability issued in Application No. PCT/JP2013/058281 dated Sep. 23, 2014 (1 page).

* cited by examiner

FIG. 1

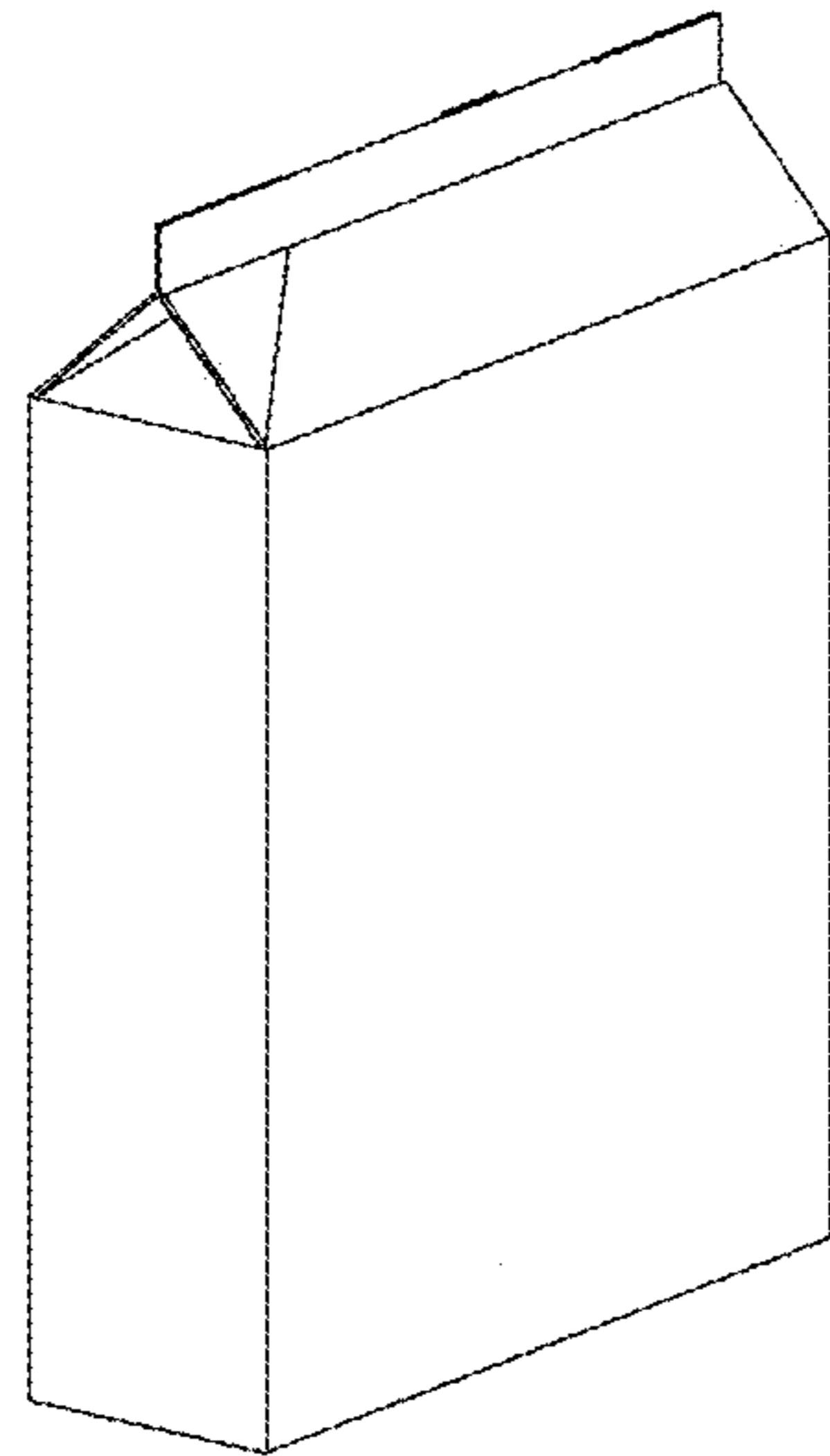


FIG. 2

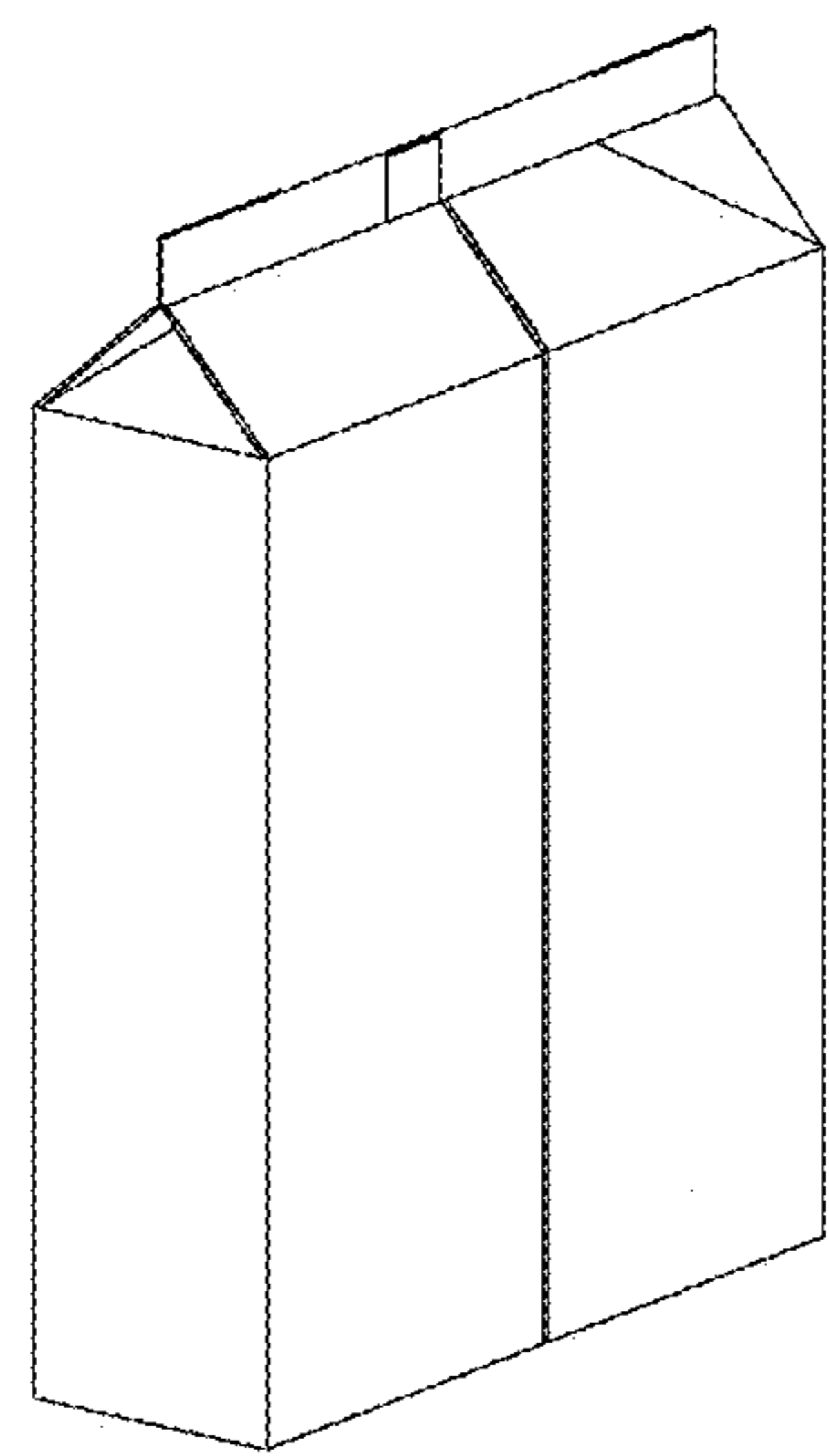


FIG. 3

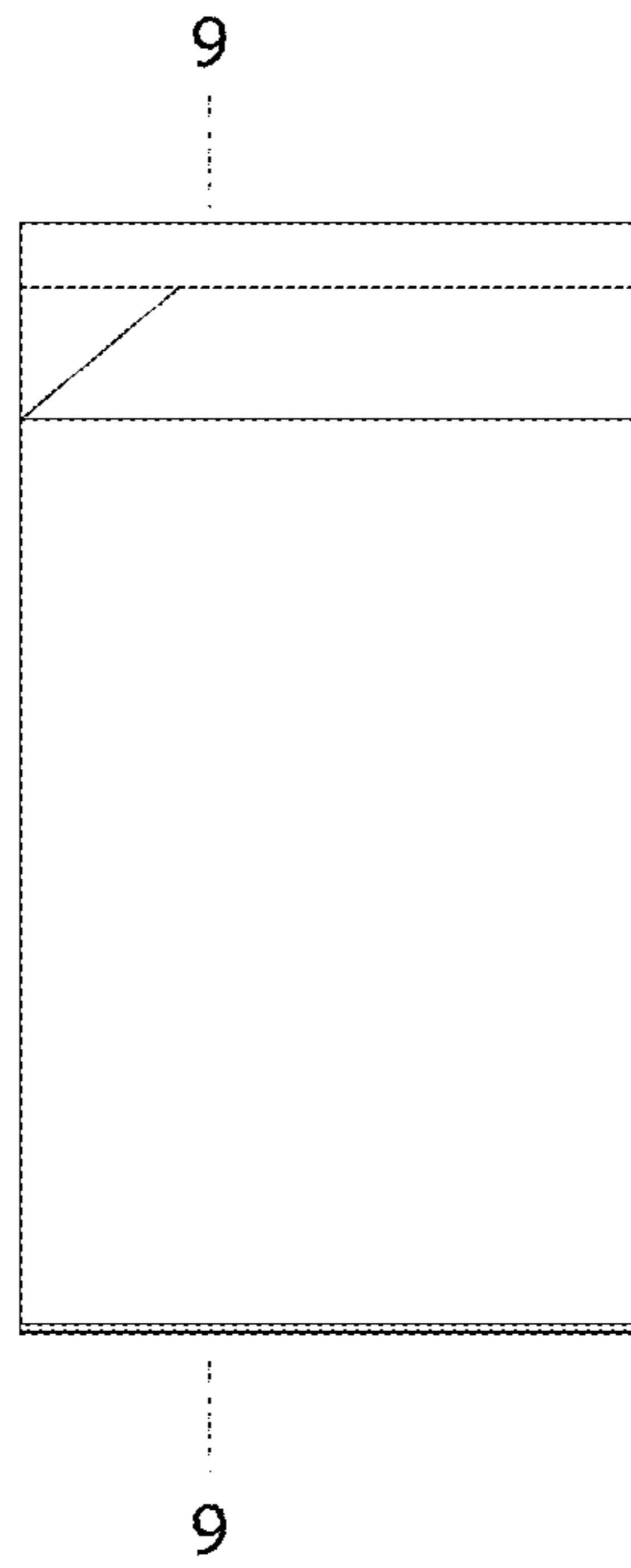


FIG. 4

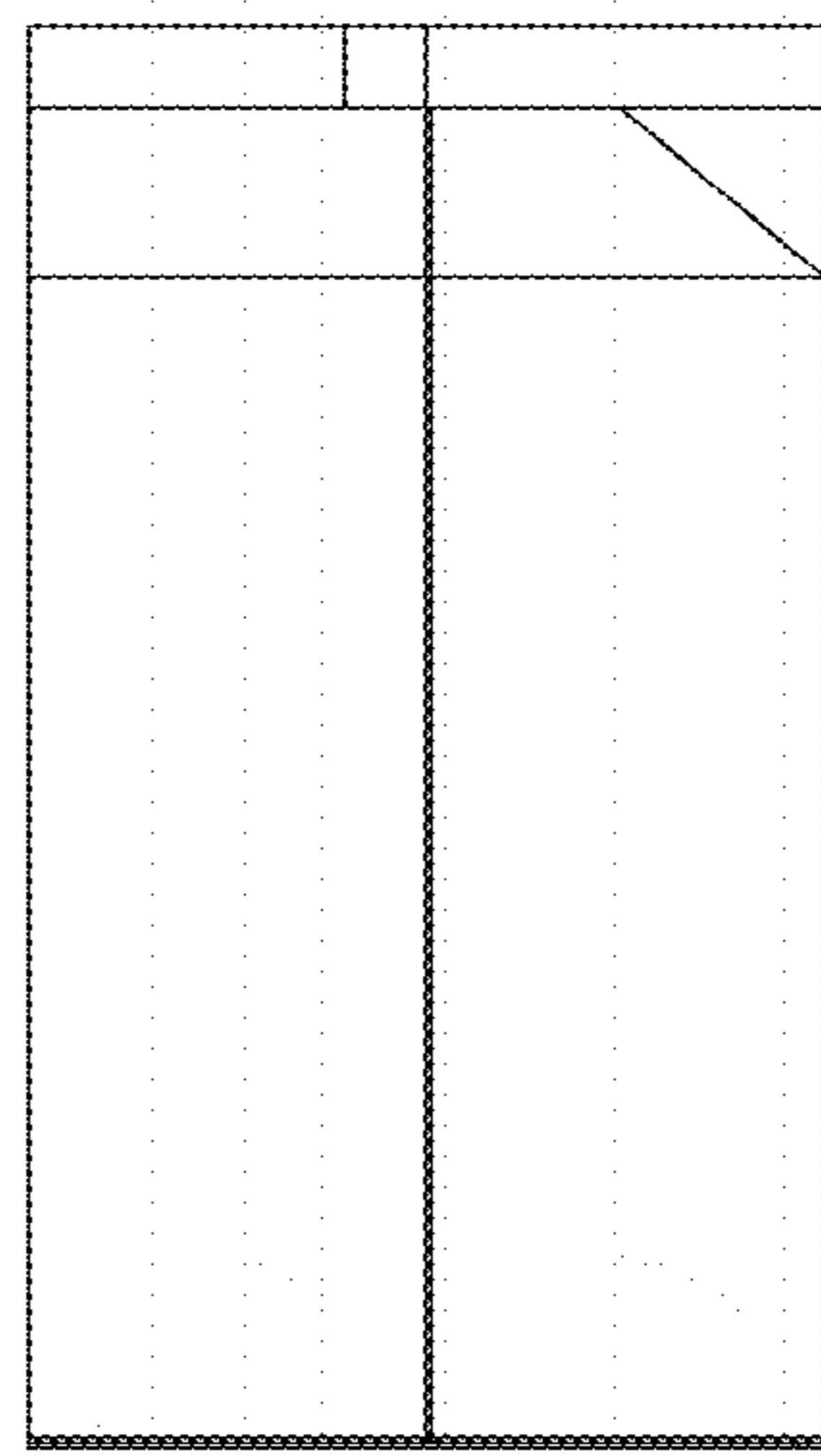


FIG. 5

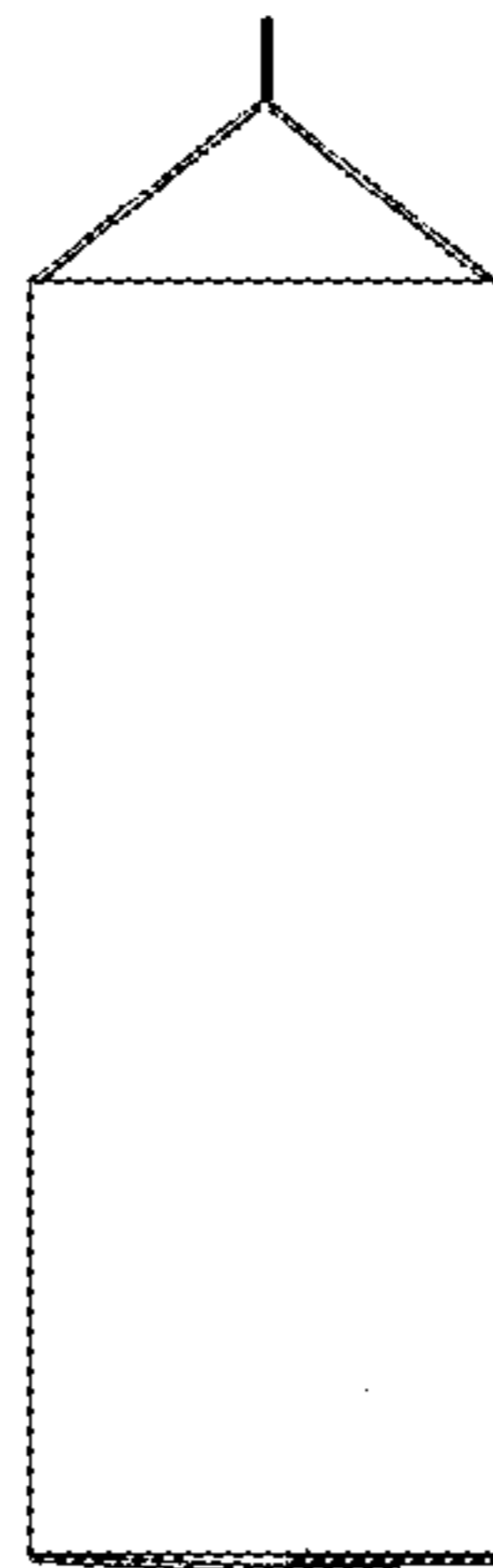


FIG. 6

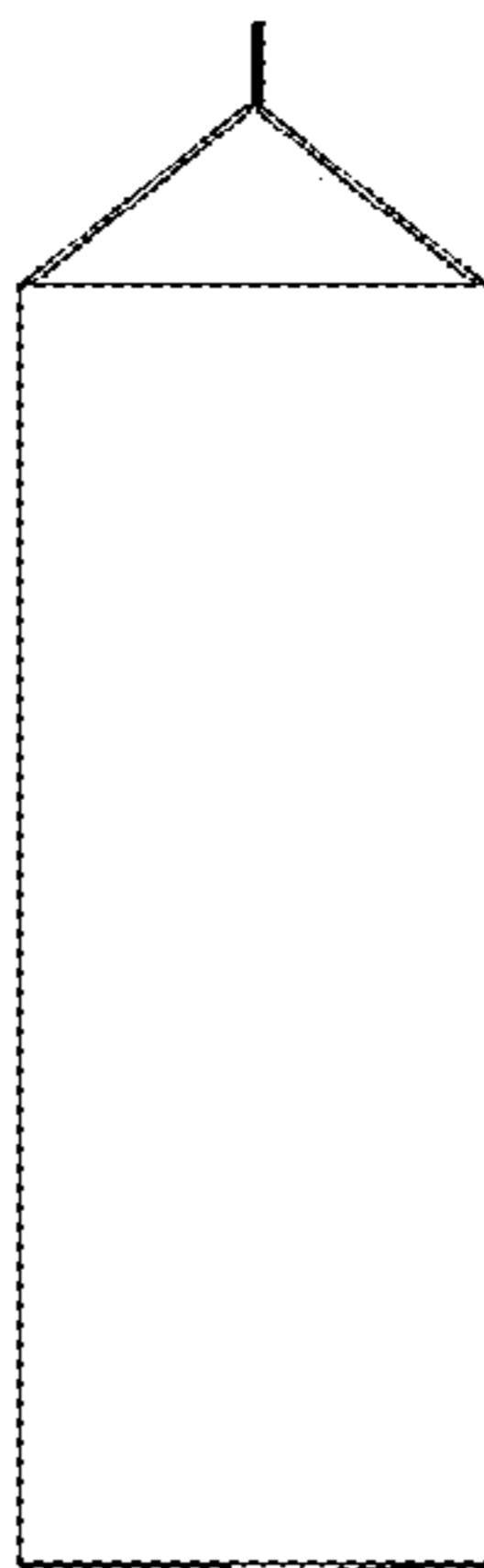


FIG. 7

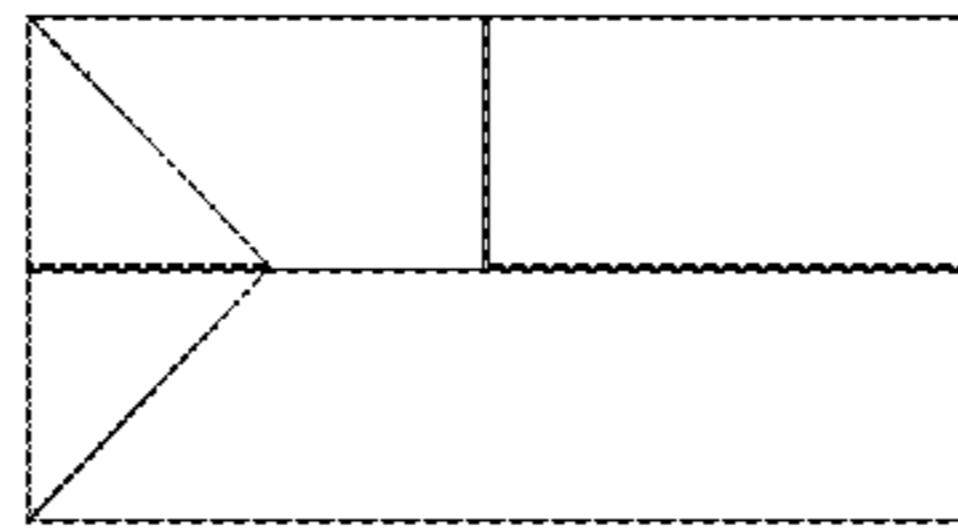


FIG. 8

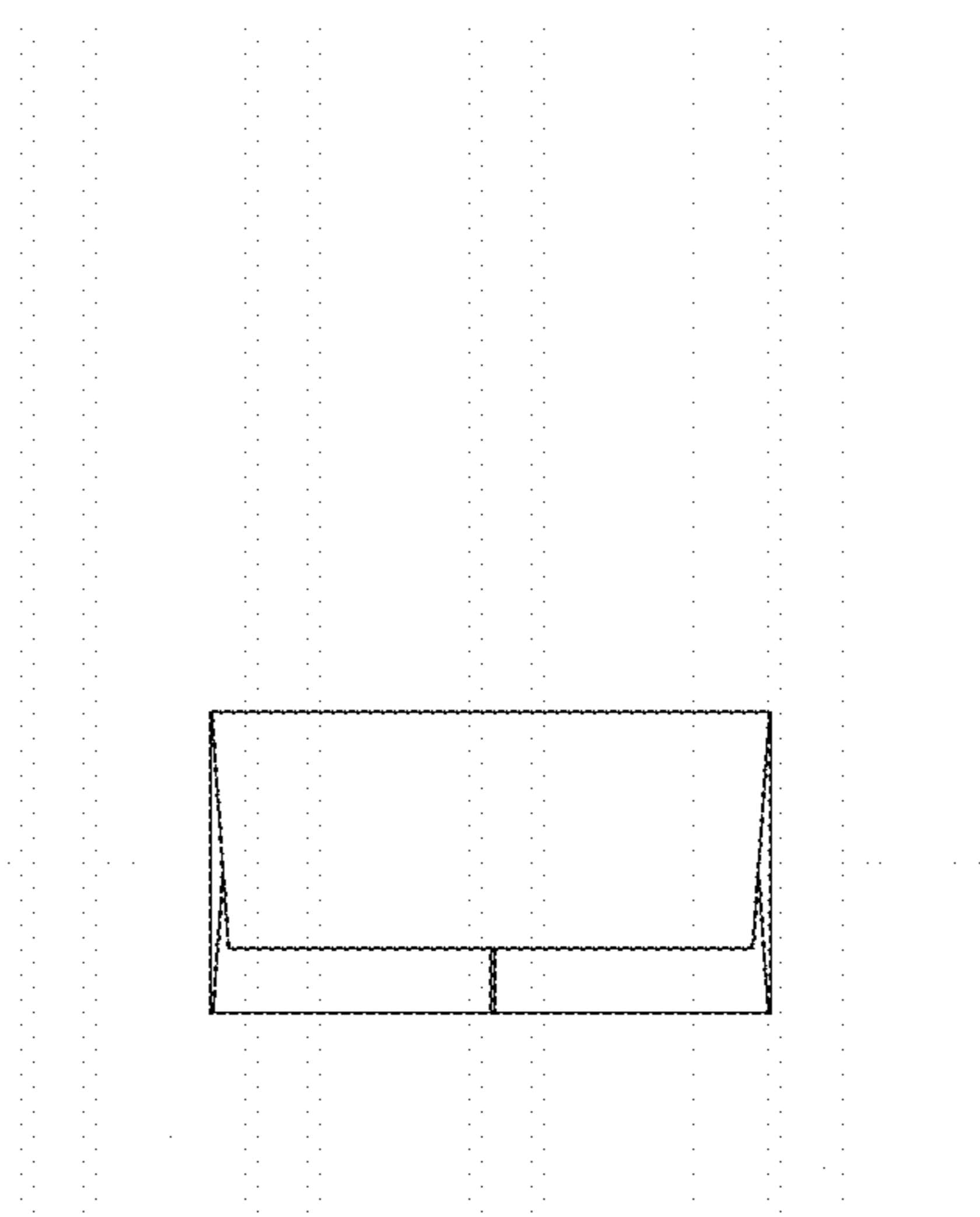


FIG. 9

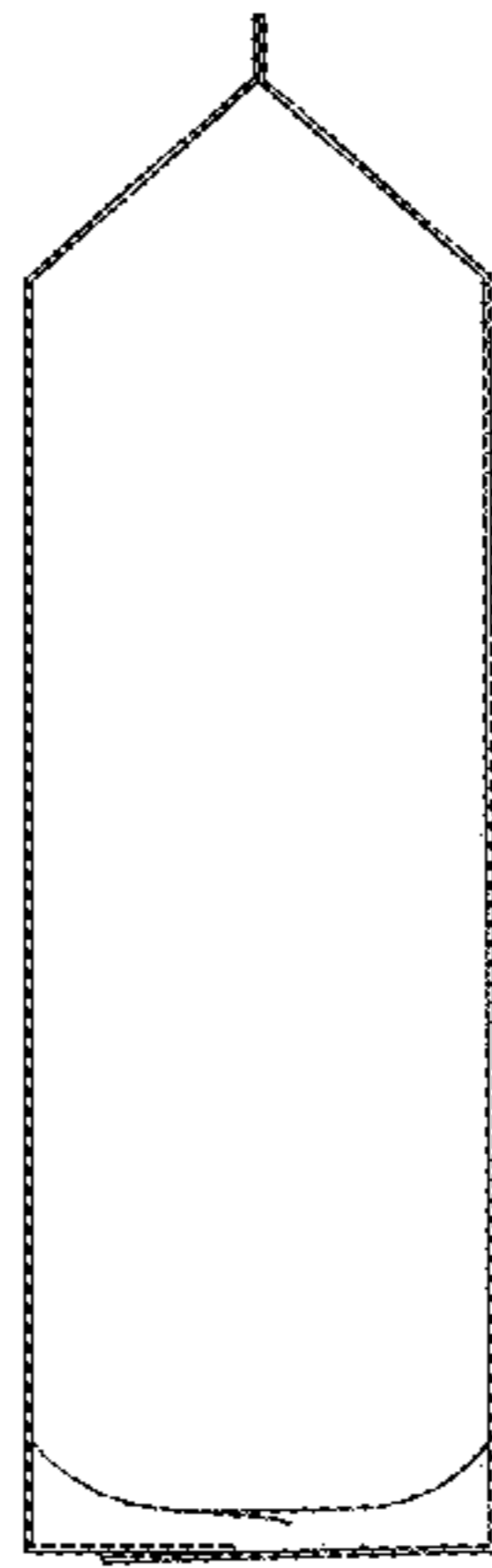


FIG. 10

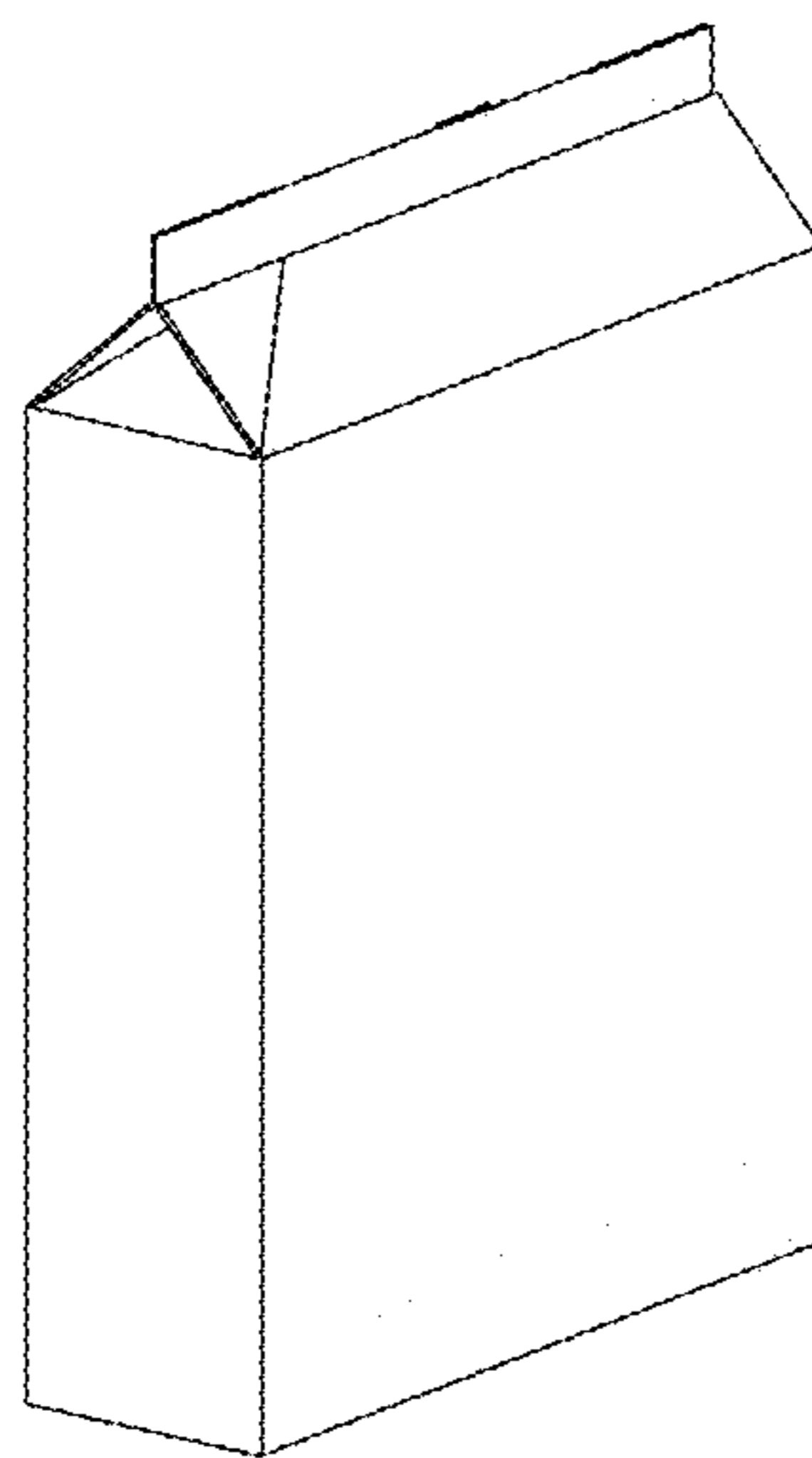


FIG. 11

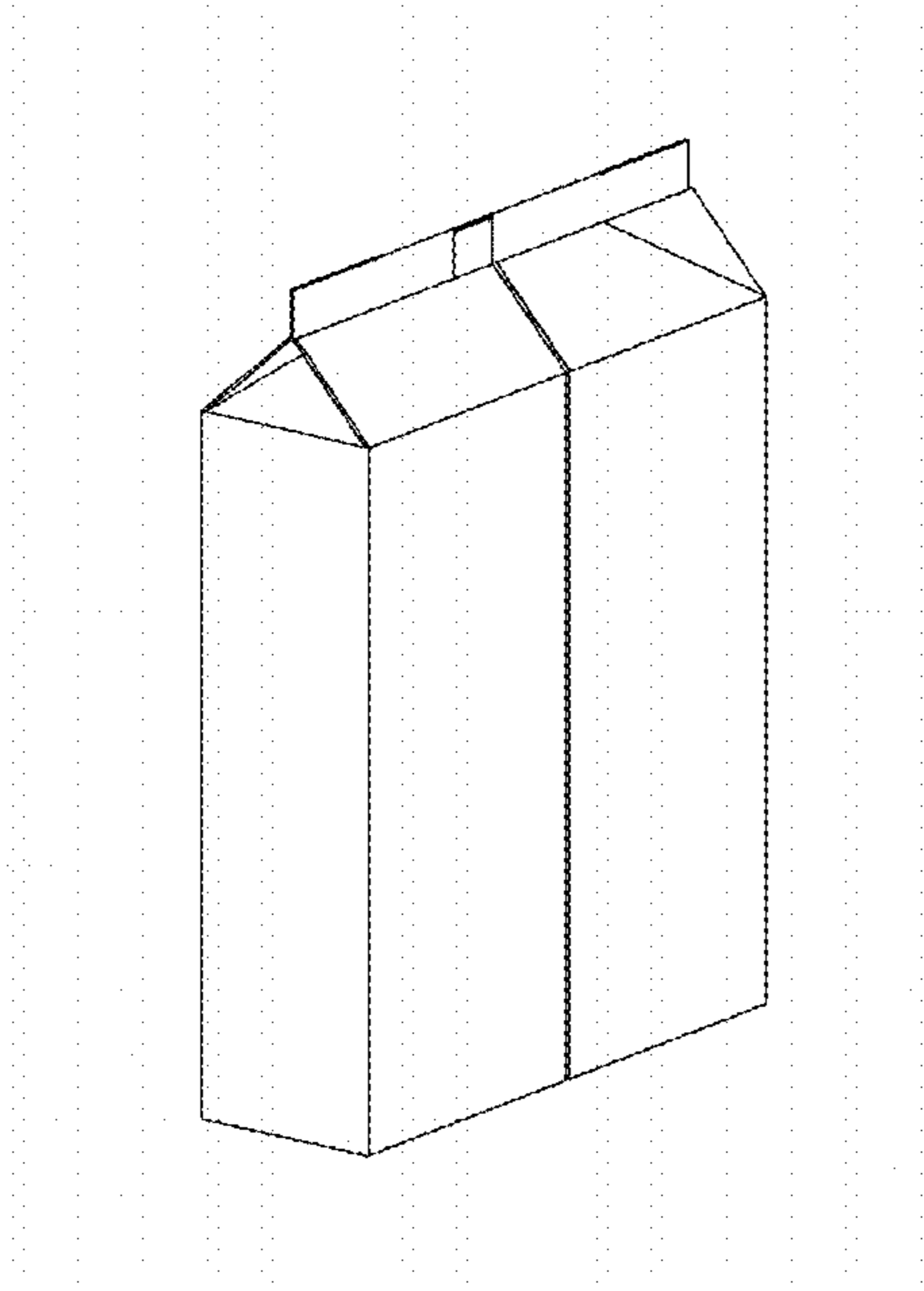


FIG. 12

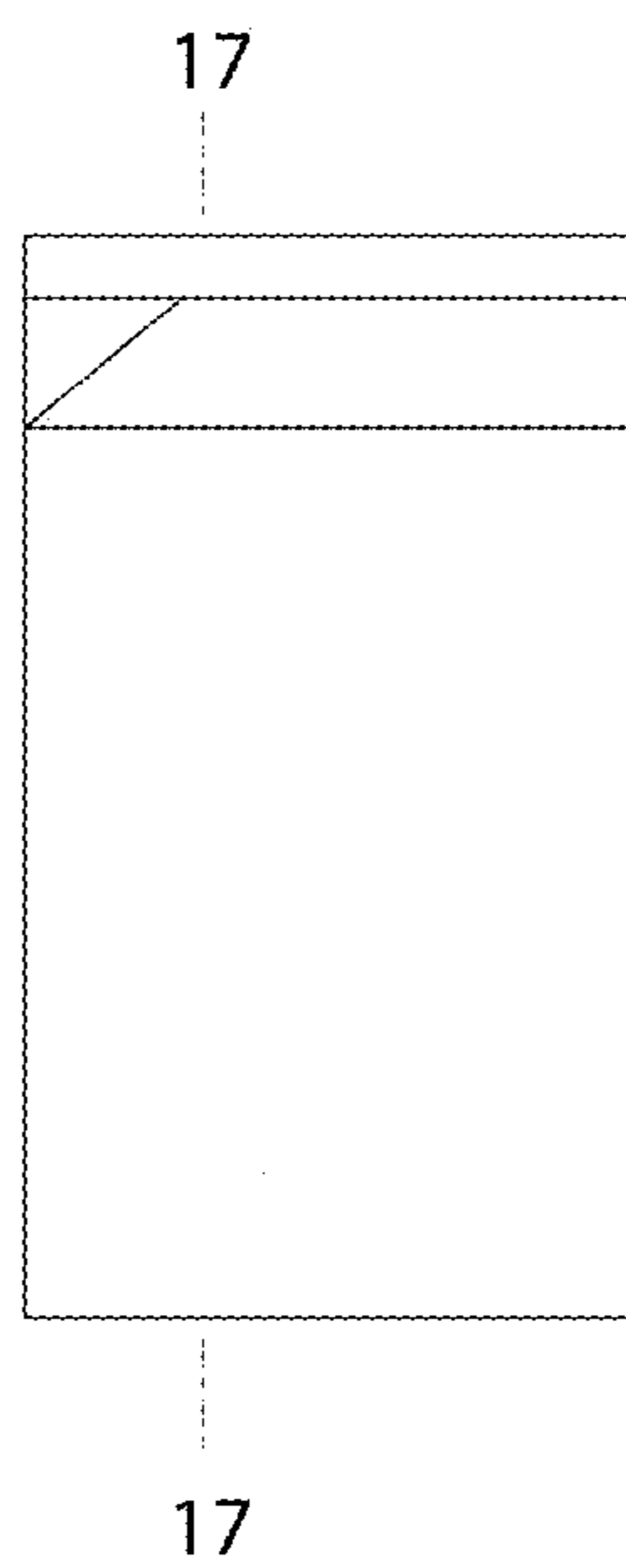


FIG. 13

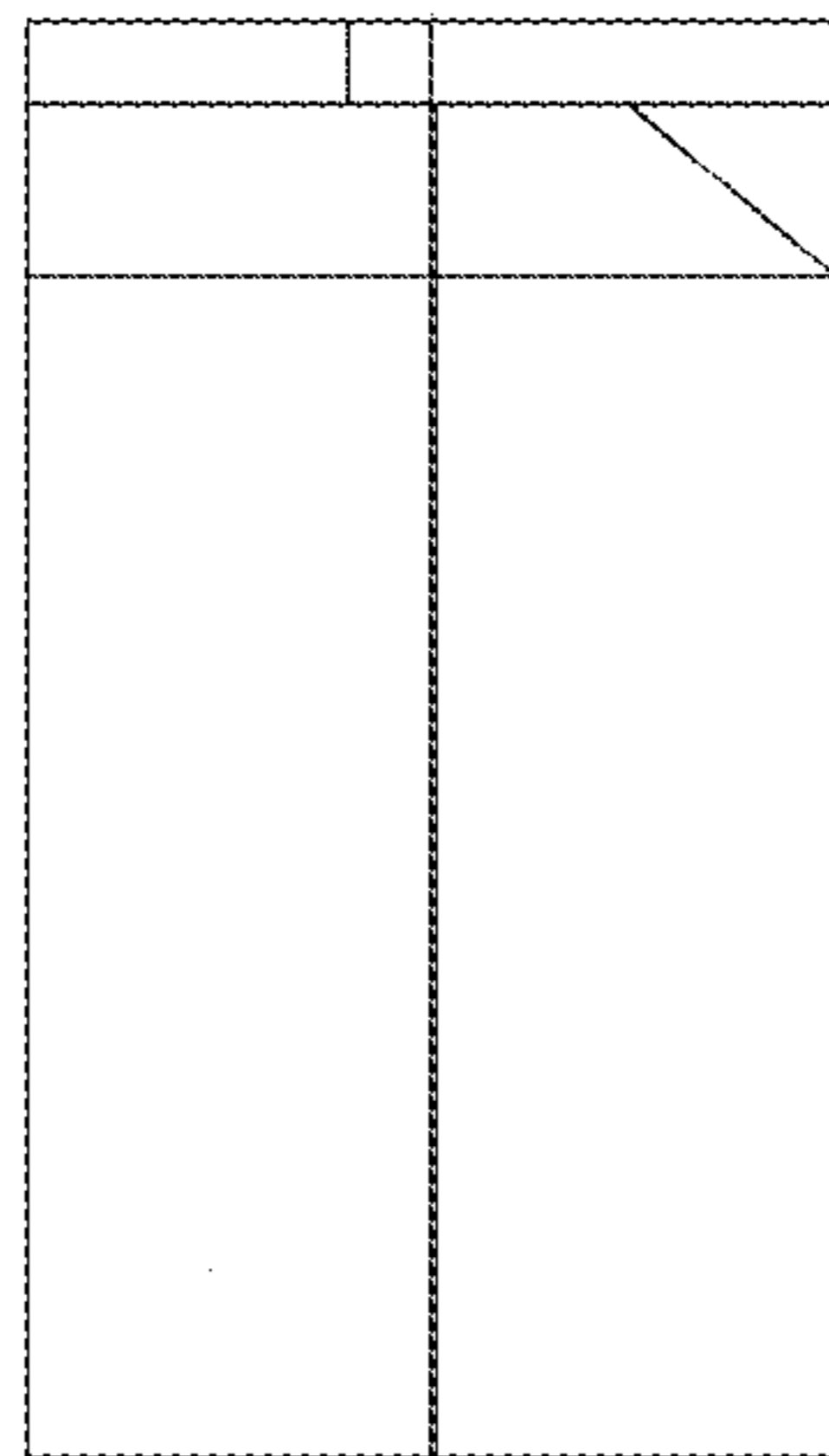


FIG. 14

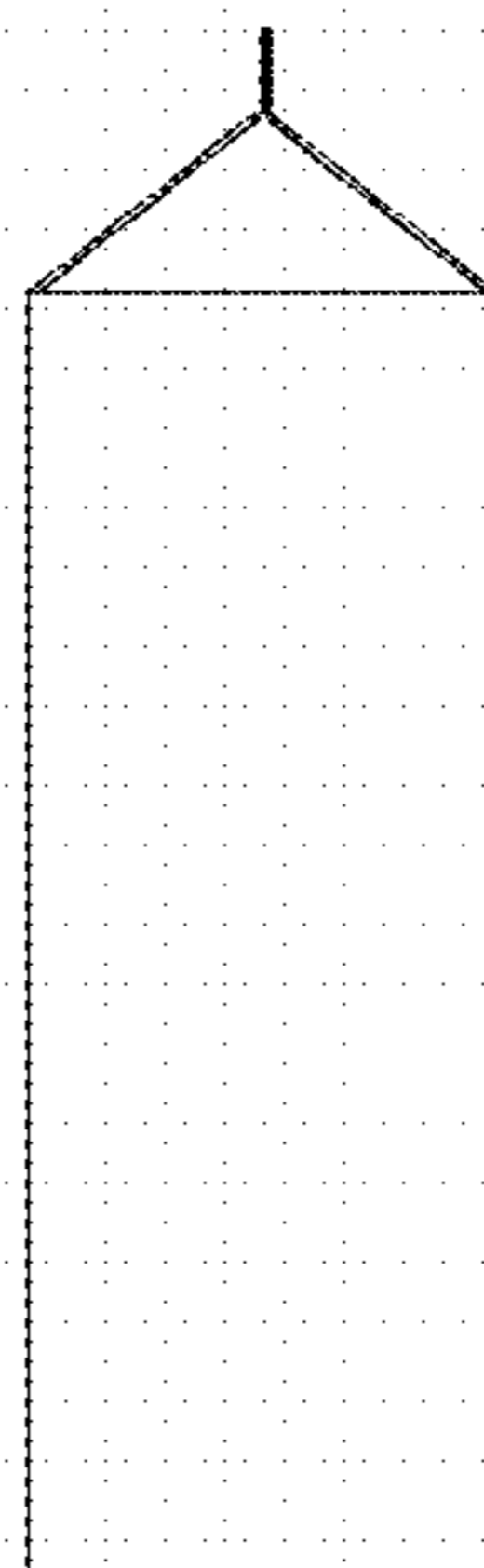


FIG. 15

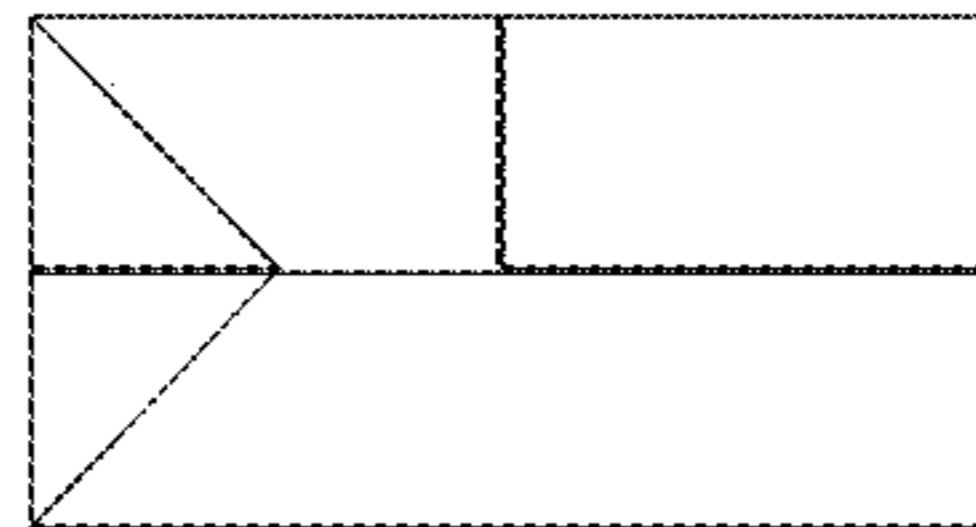


FIG. 16

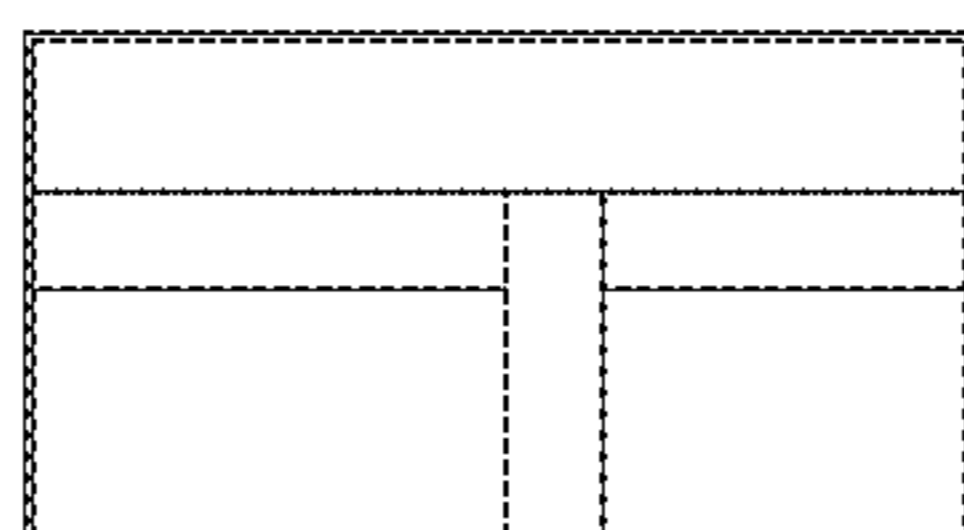


FIG. 17

