



US00D730168S

(12) **United States Design Patent**
Deshpande et al.

(10) **Patent No.:** **US D730,168 S**

(45) **Date of Patent:** **** May 26, 2015**

(54) **PACKAGE FOR POINT OF SALE**

(71) Applicant: **Cequent Consumer Products, Inc.**,
Solon, OH (US)

(72) Inventors: **Dhananjay B. Deshpande**, Twinsburg,
OH (US); **Cynthia Eubank**, Barberton,
OH (US); **Laurie Michelle Heiser**,
Sagamore Hills, OH (US); **Matt**
Romanak, Garfield Hts., OH (US)

(73) Assignee: **Cequent Consumer Products, Inc.**,
Solon, OH (US)

(**) Term: **14 Years**

(21) Appl. No.: **29/464,998**

(22) Filed: **Aug. 22, 2013**

(51) **LOC (10) Cl.** **09-03**

(52) **U.S. Cl.**
USPC **D9/415**

(58) **Field of Classification Search**
USPC D9/415, 722, 456, 457, 749, 418, 423,
D9/424, 428, 431, 499; 229/407, 406;
206/731, 769, 770, 461, 462, 776, 495
See application file for complete search history.

(56) **References Cited**

U.S. PATENT DOCUMENTS

42,493	A *	5/1864	Hance	211/76
2,322,057	A *	6/1943	Poutinen	206/348
2,839,185	A *	6/1958	Isaacs	206/49
5,919,074	A *	7/1999	Honda	446/268
D428,738	S *	8/2000	Brozak, Jr.	D6/473
6,170,674	B1 *	1/2001	Caterinacci	211/41.1

D597,766	S *	8/2009	Nealon et al.	D6/466
D625,530	S *	10/2010	Robbins, III	D6/466
8,522,970	B2 *	9/2013	Hsieh	206/320

* cited by examiner

Primary Examiner — Ian Simmons

Assistant Examiner — Rhea Shields

(74) *Attorney, Agent, or Firm* — McDonald Hopkins LLC;
Jeff Urian

(57) **CLAIM**

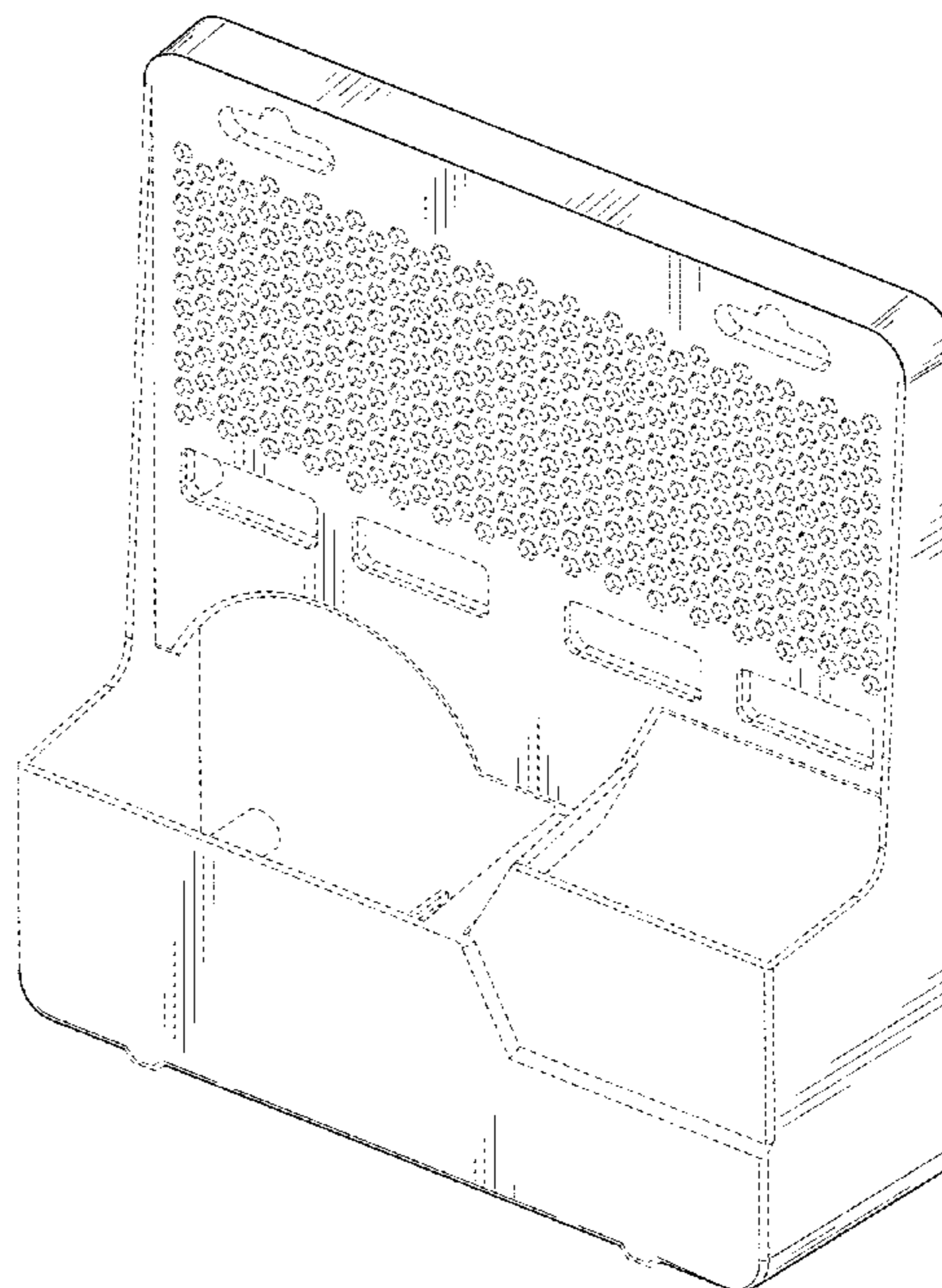
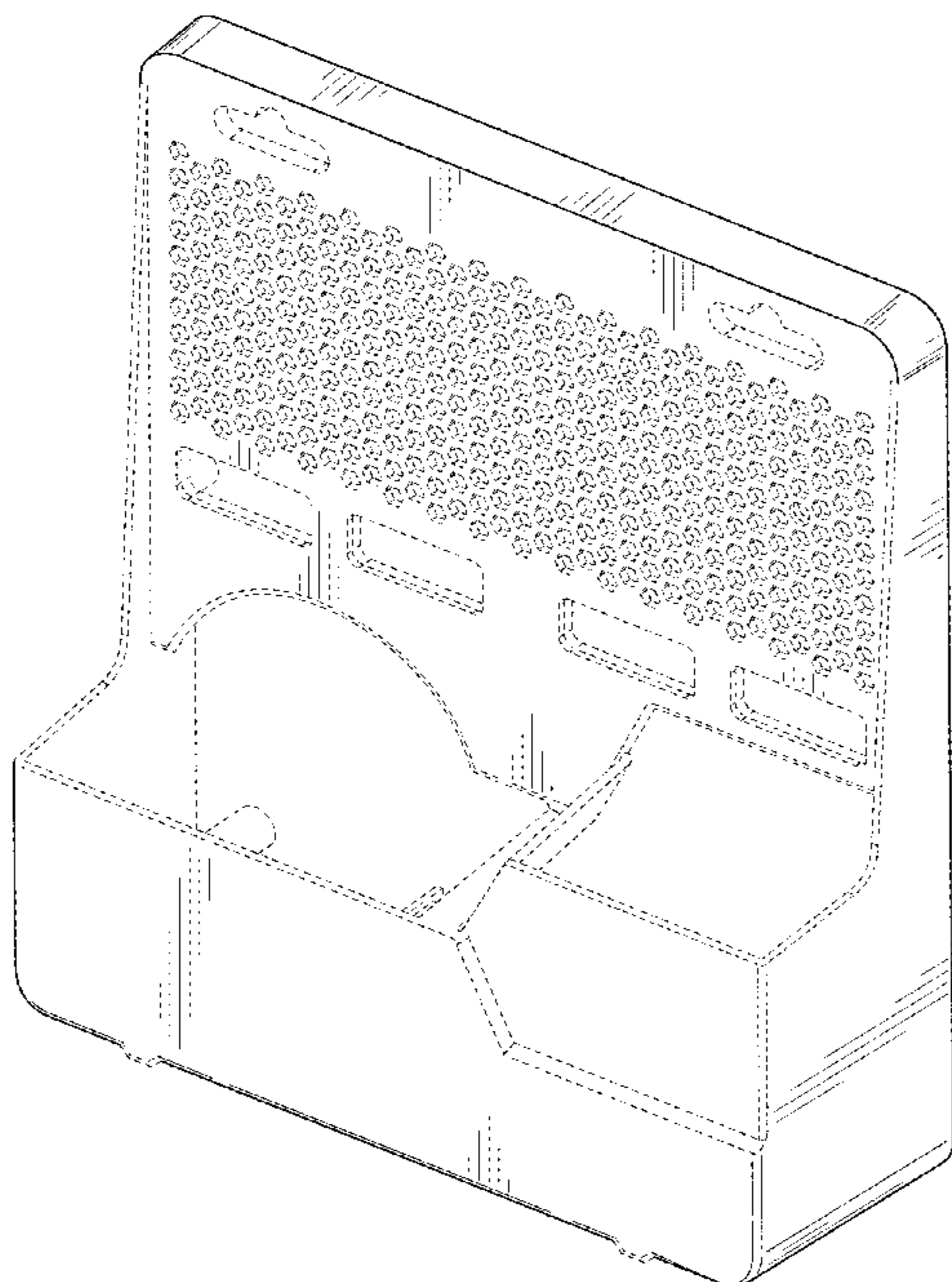
The ornamental design for a package for point of sale, as shown and described.

DESCRIPTION

FIG. 1 is a perspective view of a package for point of sale showing our new design;
FIG. 2 is a front view thereof;
FIG. 3 is a rear view thereof;
FIG. 4 is a first side view thereof;
FIG. 5 is a second side view thereof;
FIG. 6 is a top view thereof;
FIG. 7 is a bottom view thereof;
FIG. 8 is a perspective view of a second embodiment of a package for point of sale showing our new design;
FIG. 9 is a front view thereof;
FIG. 10 is a rear view thereof;
FIG. 11 is a first side view thereof;
FIG. 12 is a second side view thereof;
FIG. 13 is a top view thereof; and,
FIG. 14 is a bottom view thereof.

The broken lines in the figures are included for the purpose of illustrating portions of a package for point of sale and form no part of the claimed design.

1 Claim, 10 Drawing Sheets



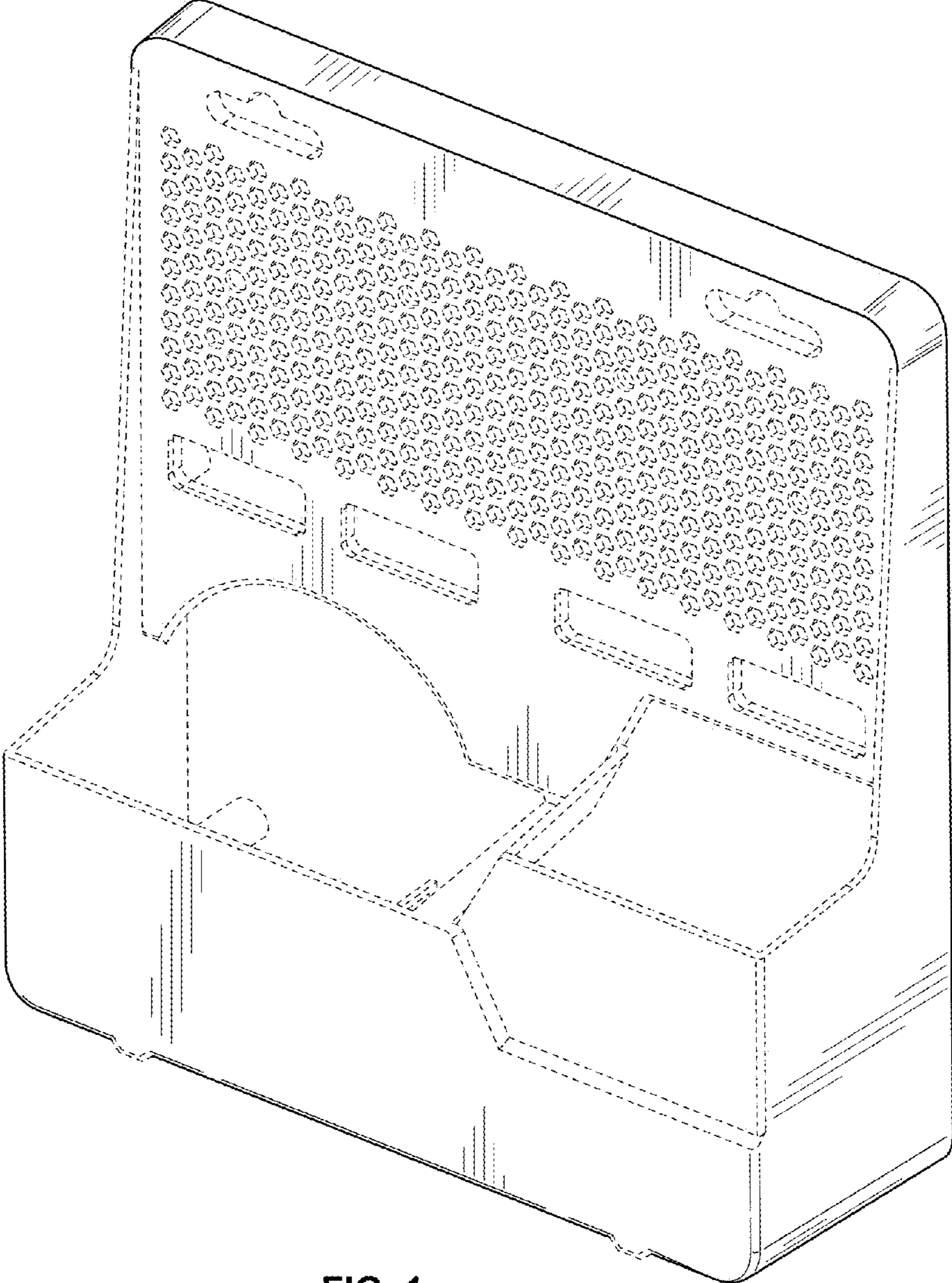


FIG. 1

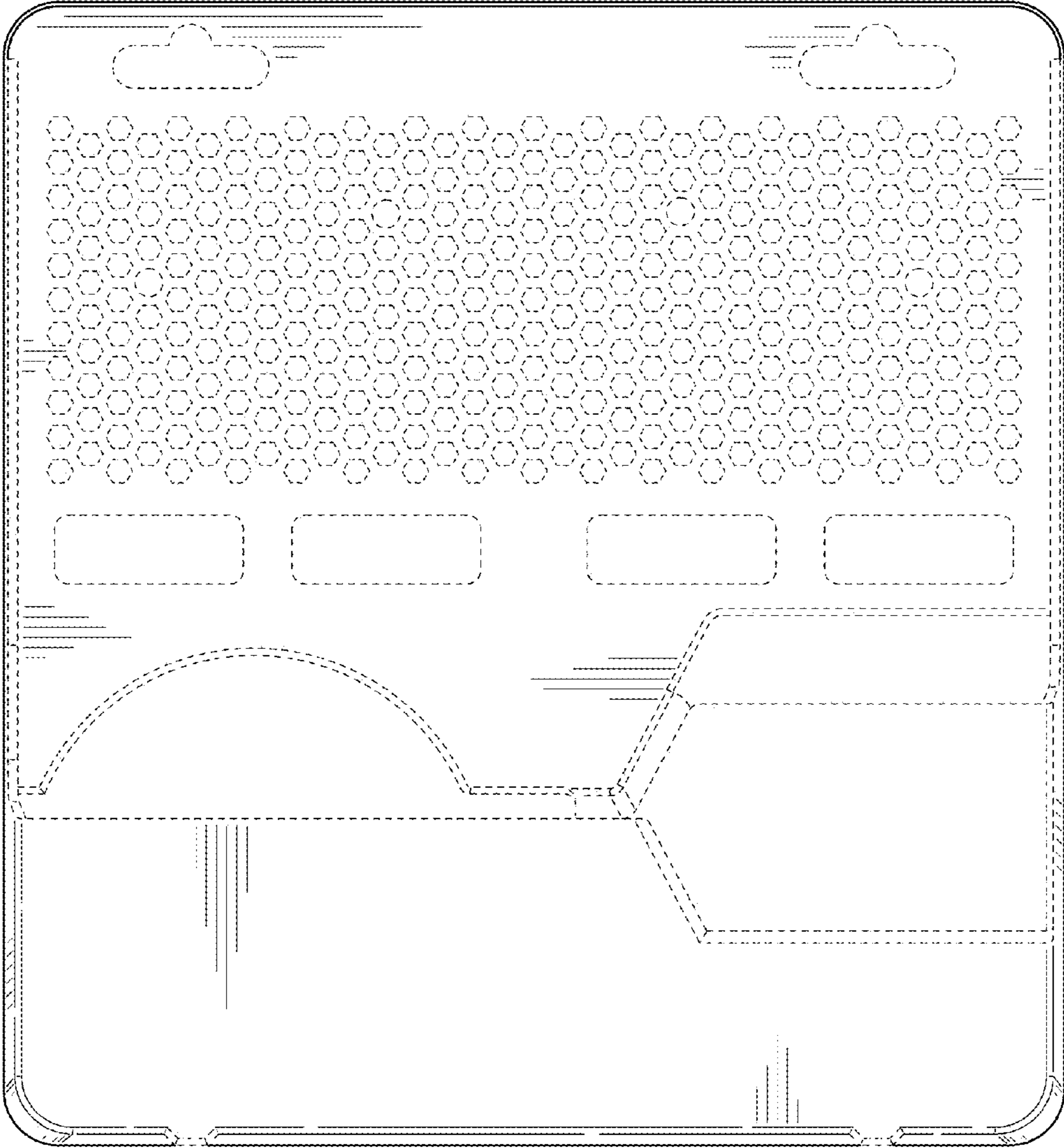


FIG. 2

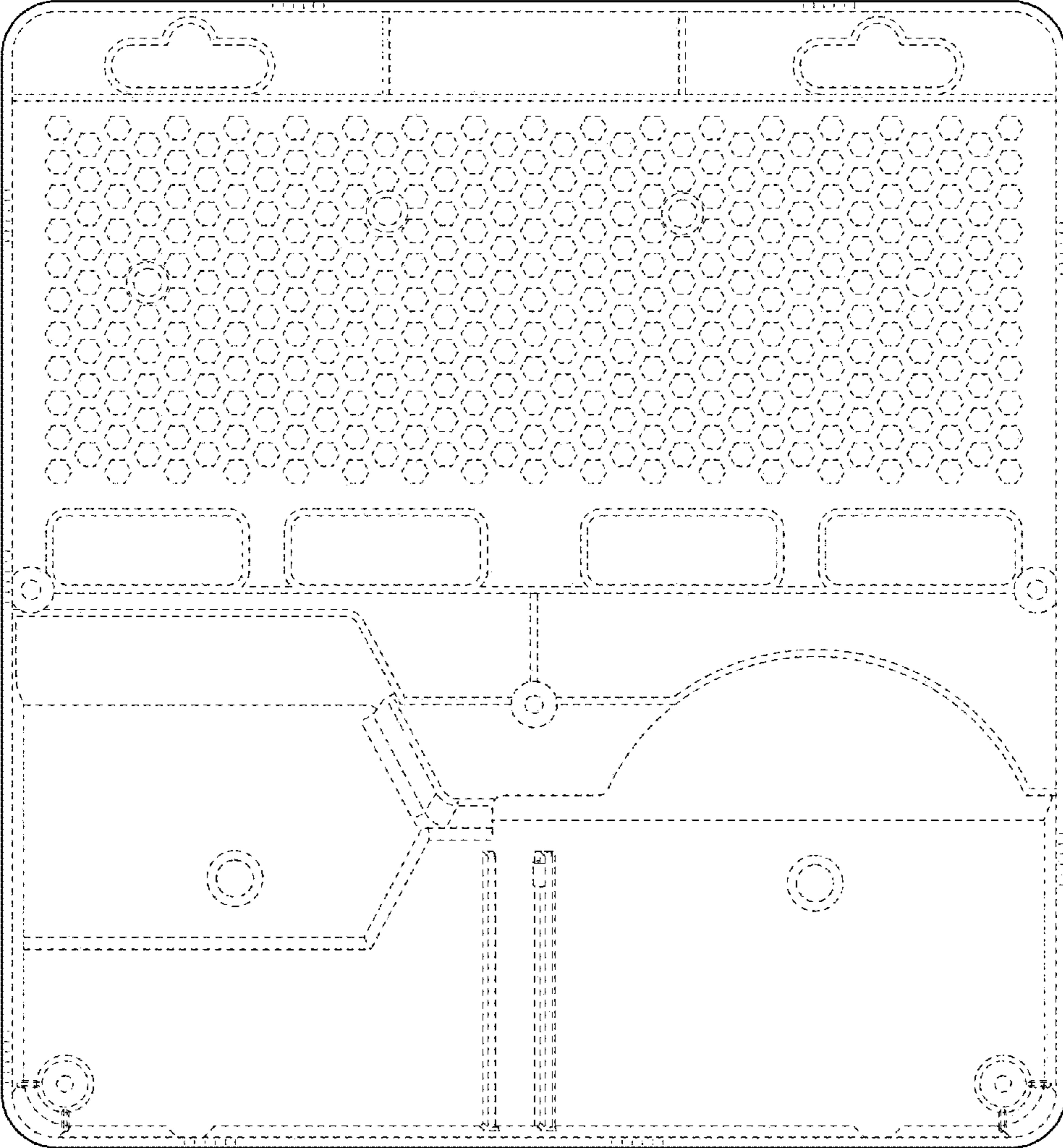


FIG. 3

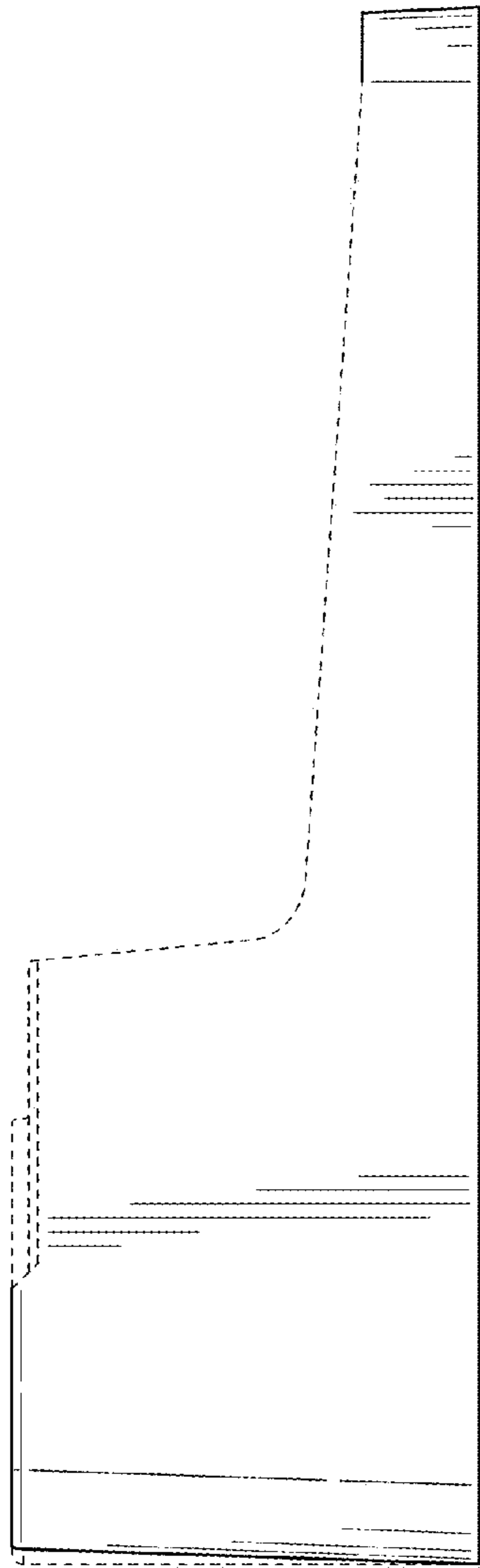


FIG. 4

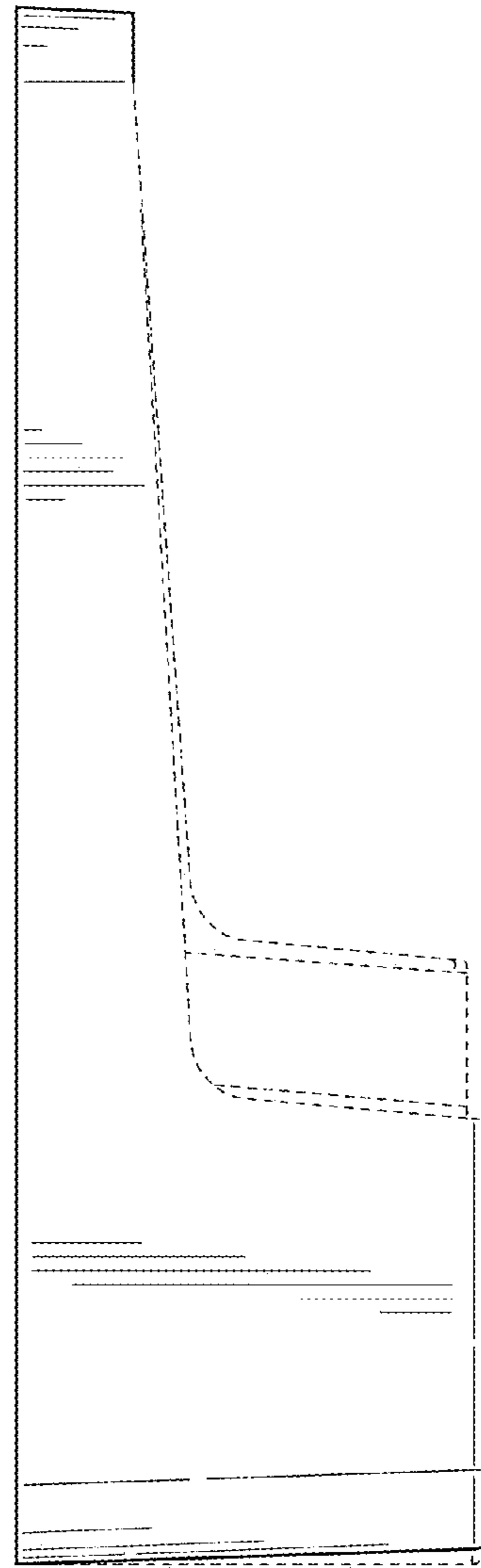


FIG. 5

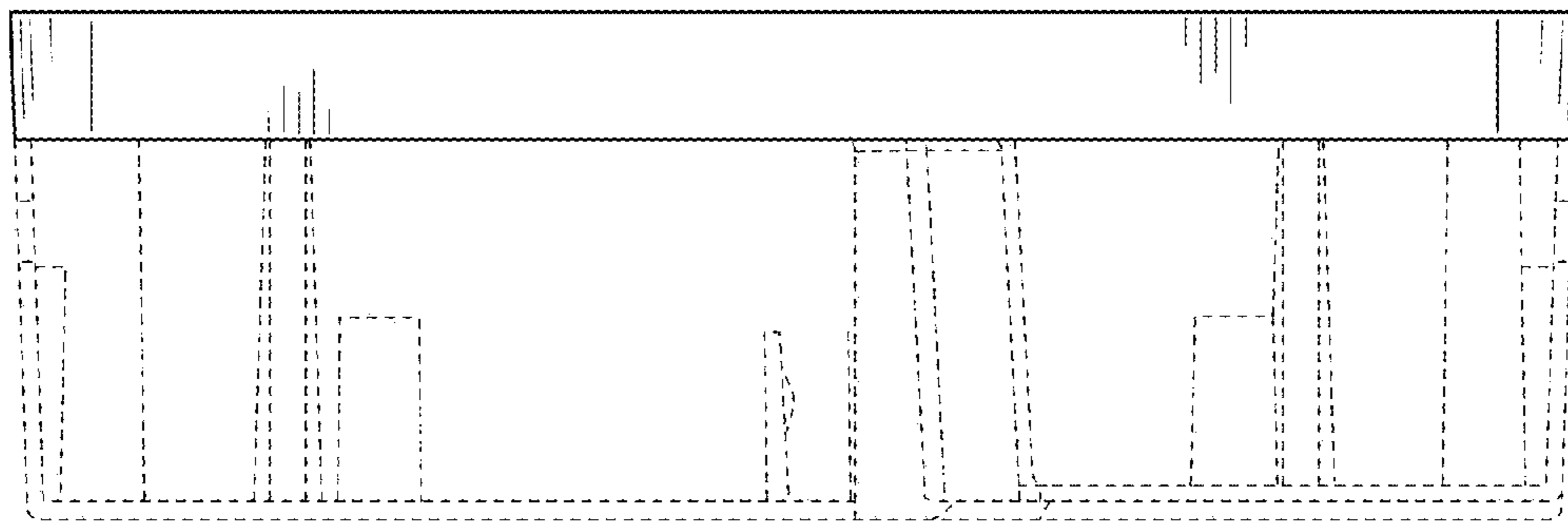


FIG. 6

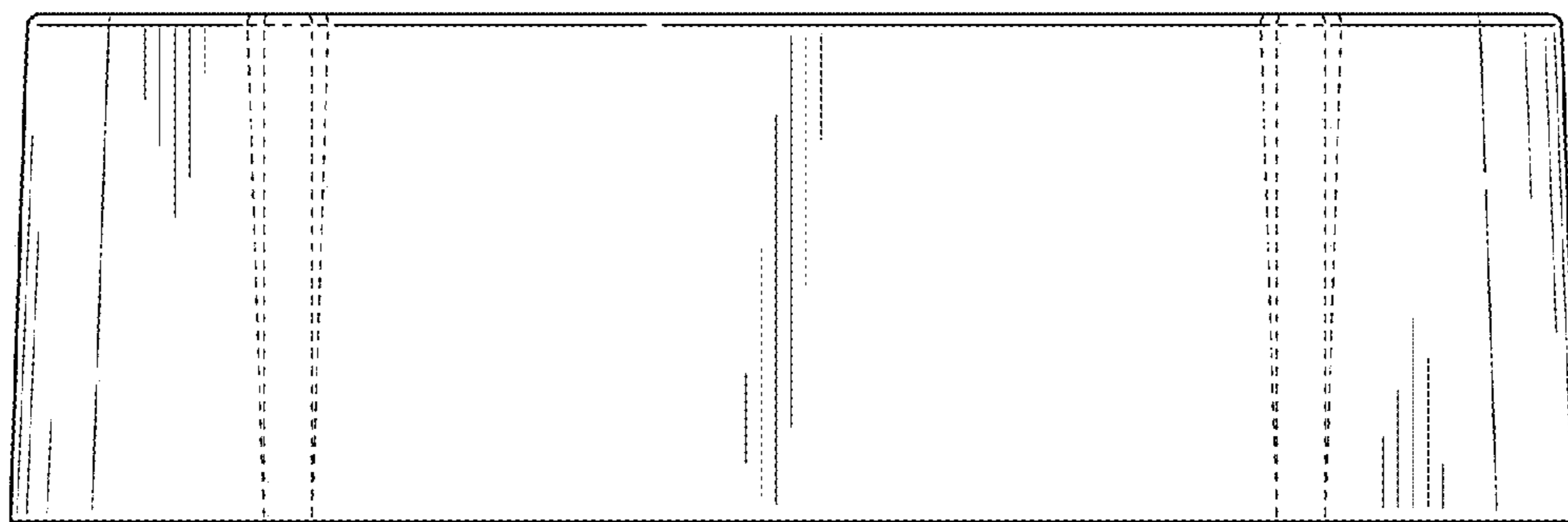


FIG. 7

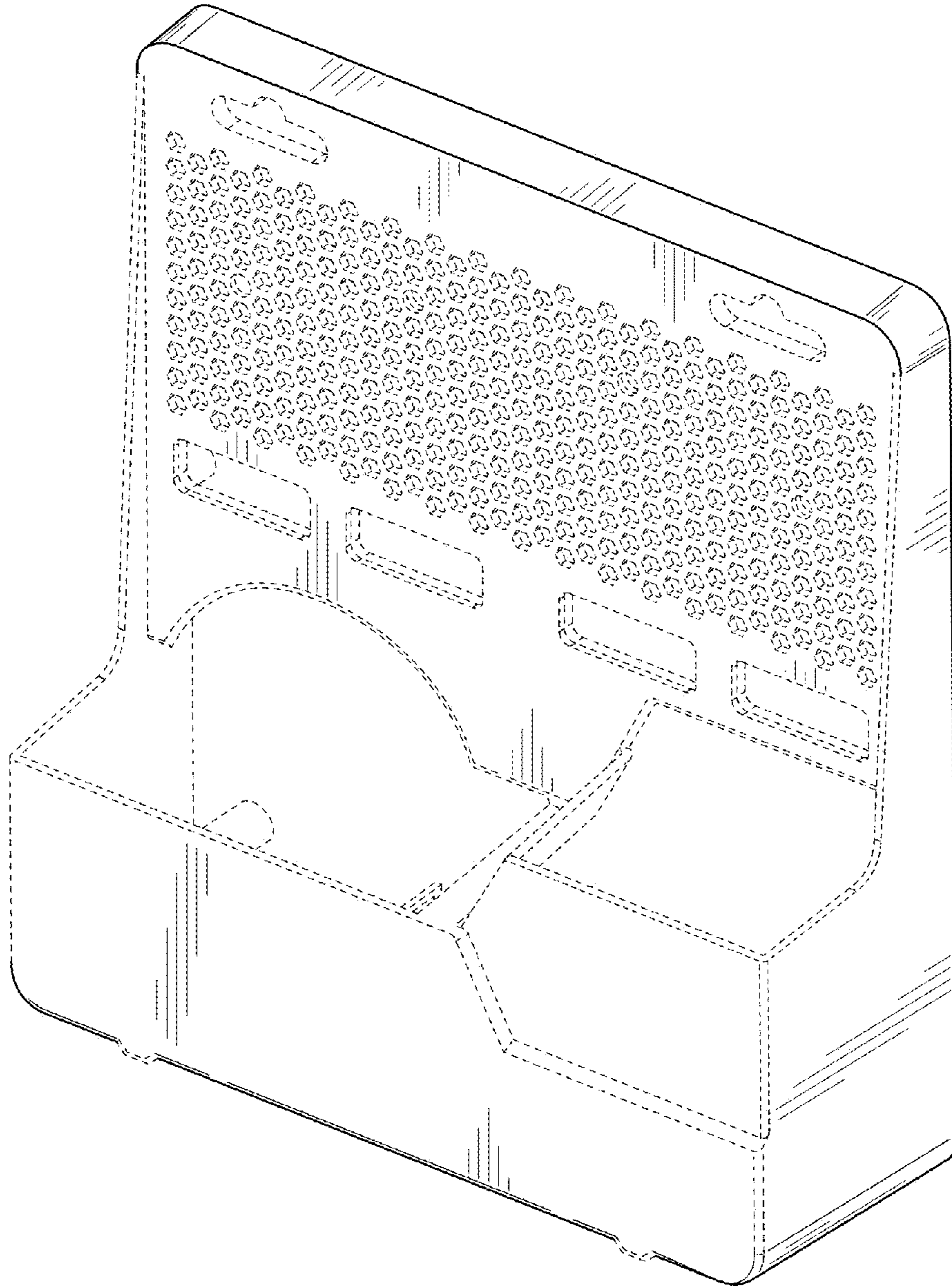


FIG. 8

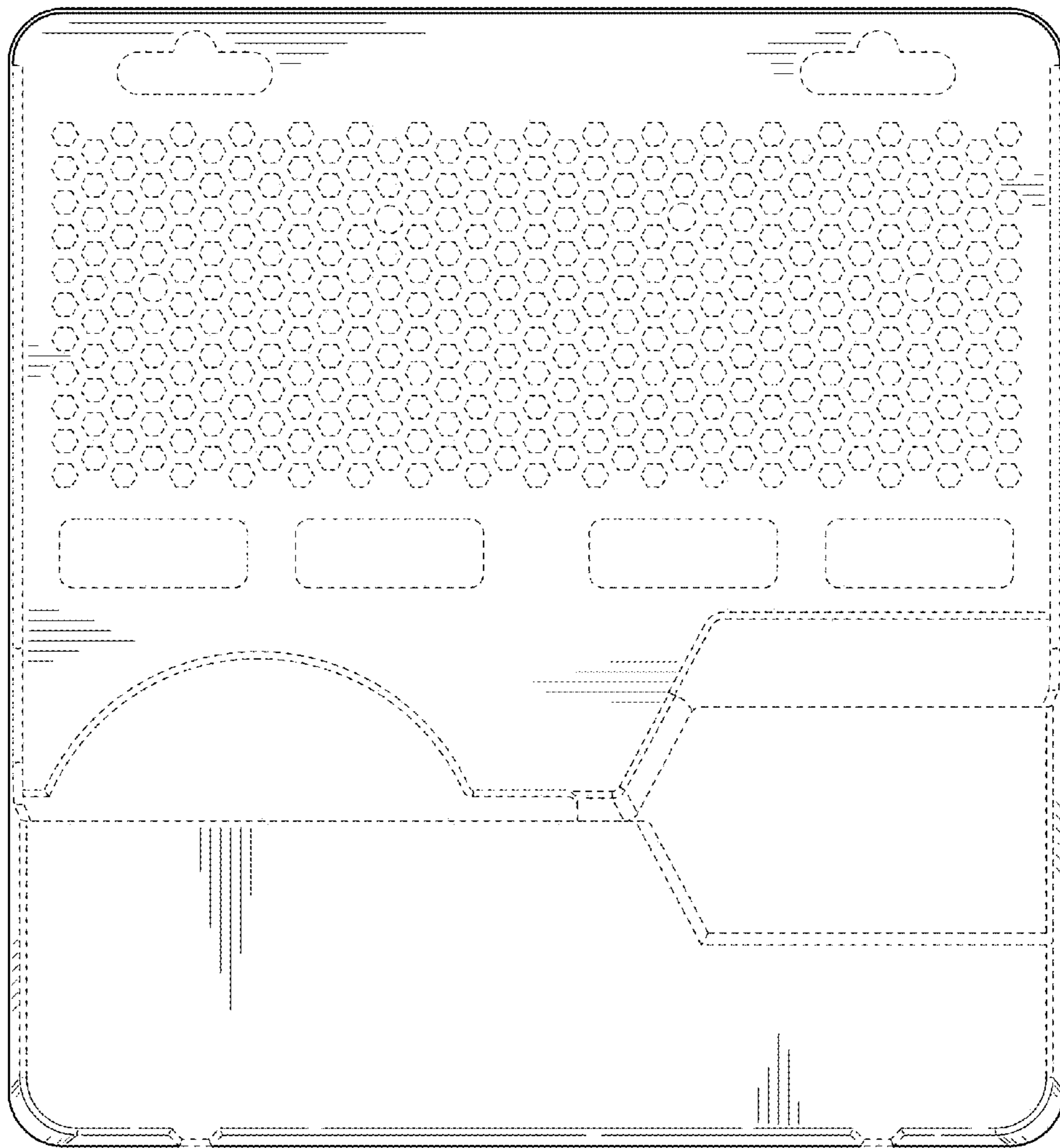


FIG. 9

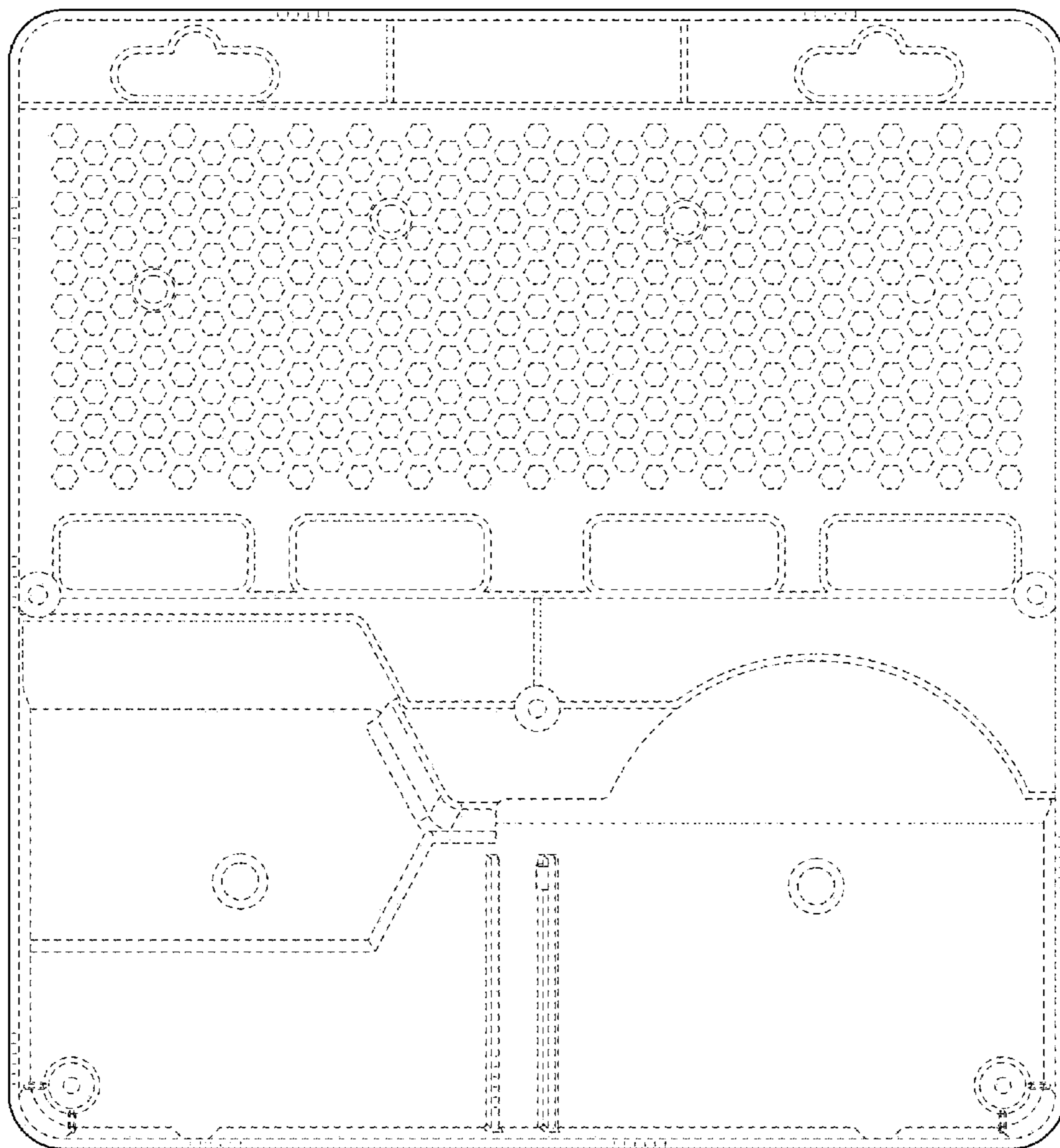


FIG. 10

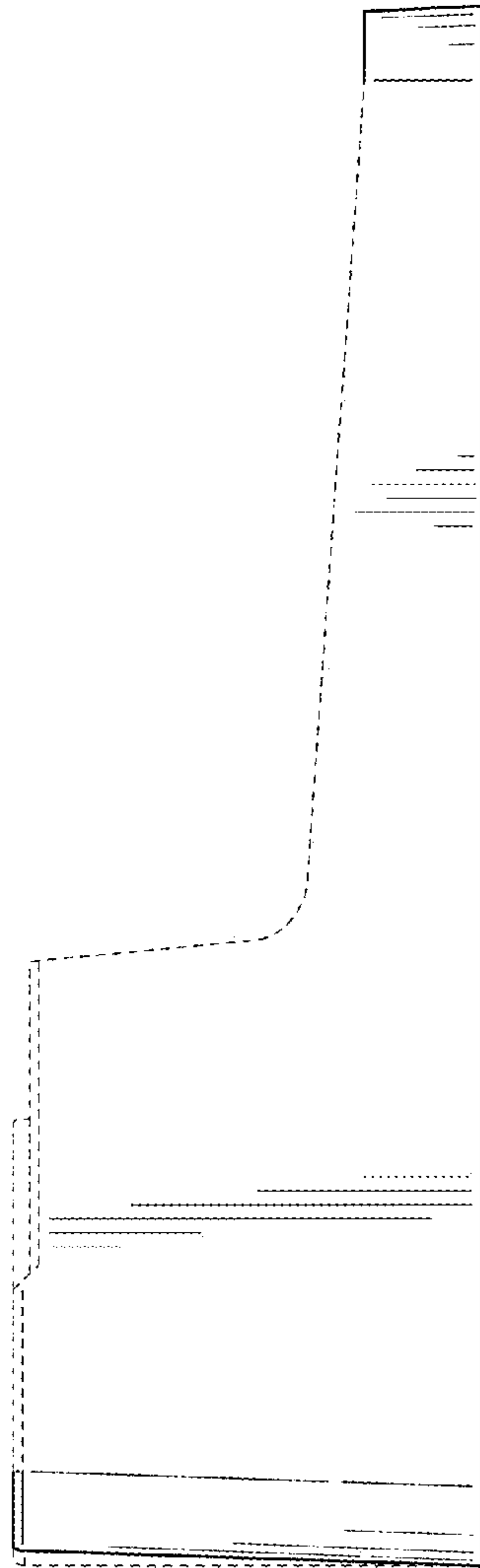


FIG. 11

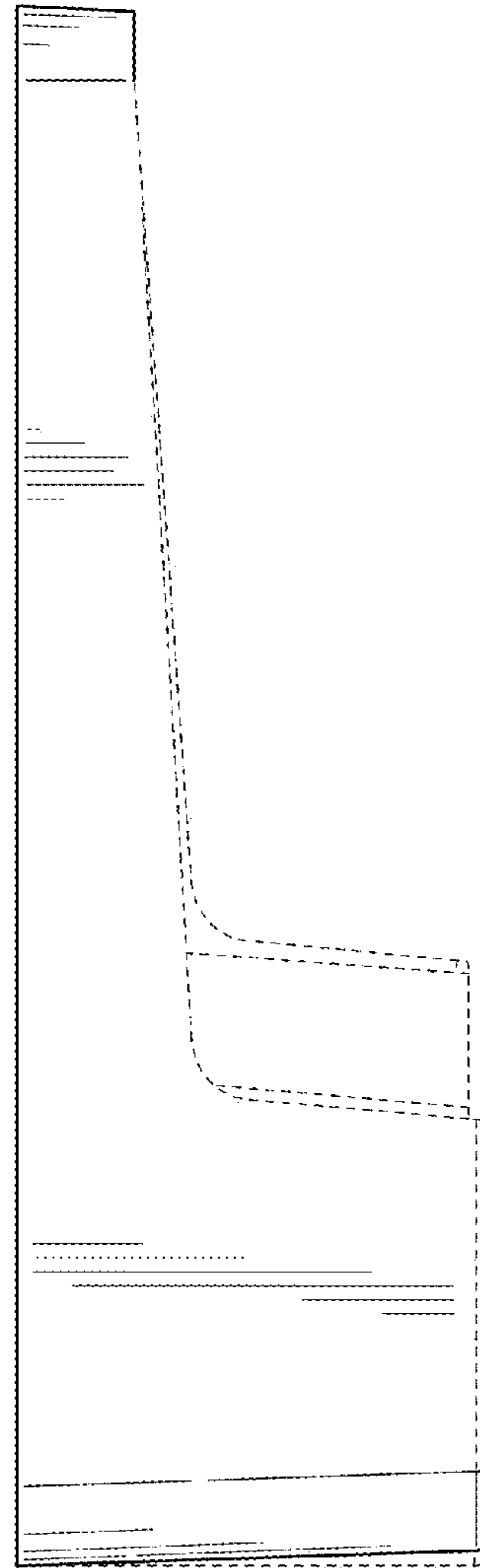


FIG. 12

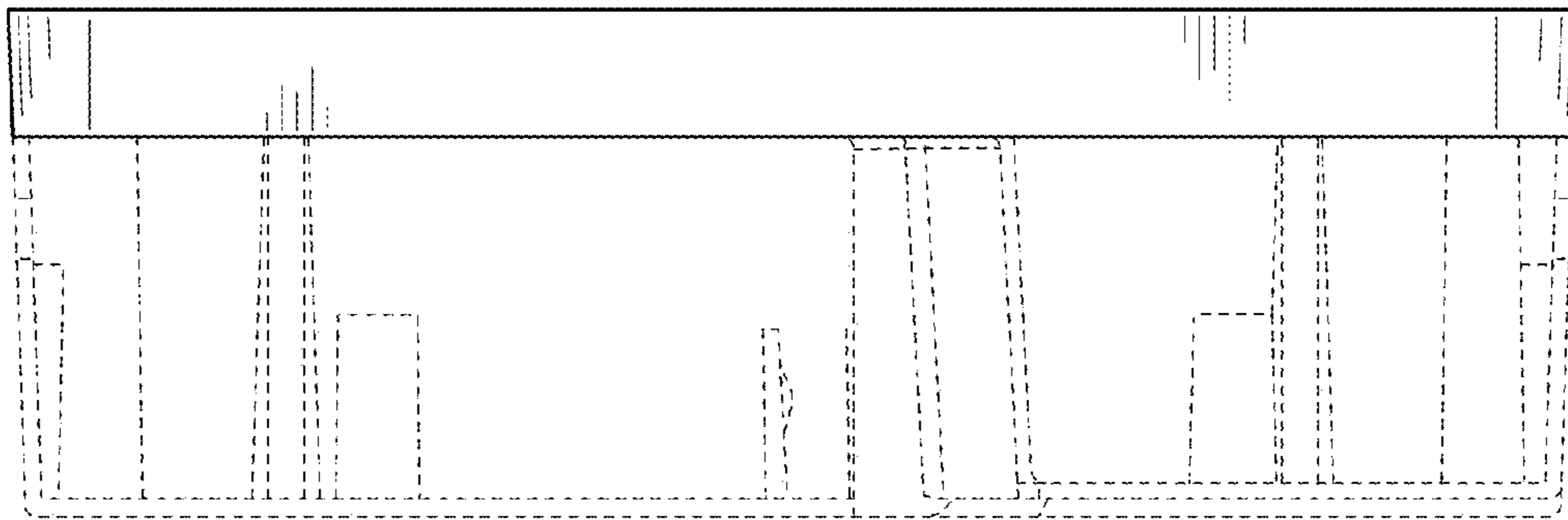


FIG. 13

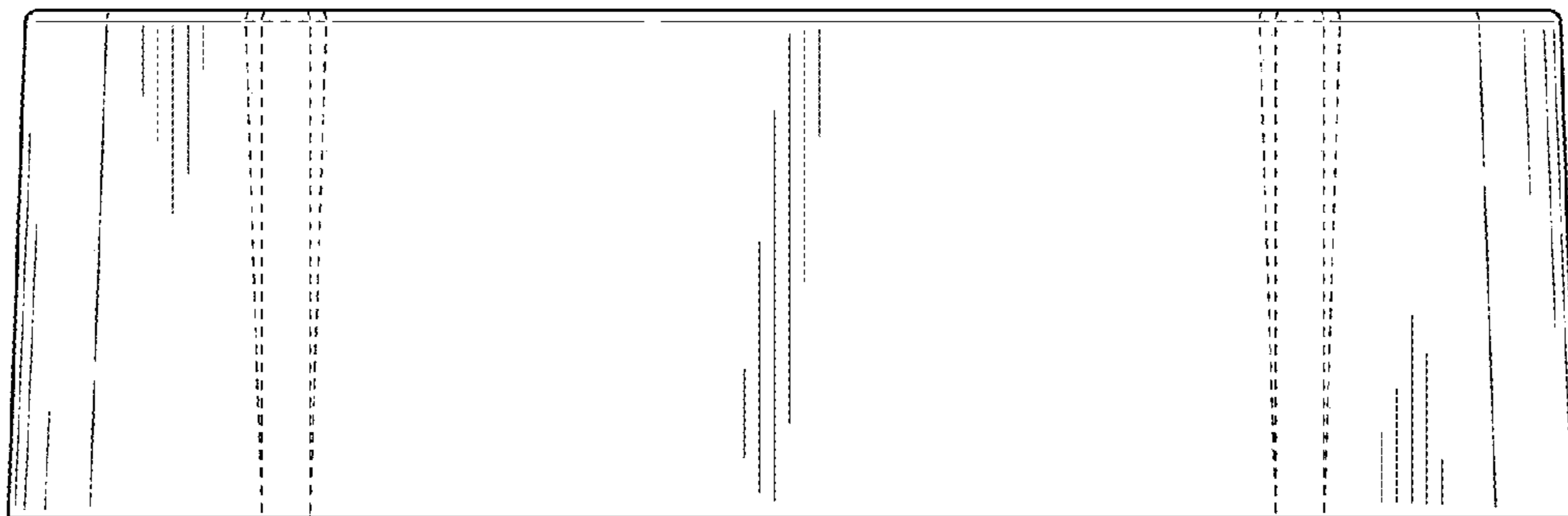


FIG. 14