



US00D730166S

(12) **United States Design Patent**
Wolfer

(10) **Patent No.:** **US D730,166 S**

(45) **Date of Patent:** **** May 26, 2015**

(54) **WOLF CLIP WITH SERRATED TOP AND BOTTOM CONTACT**

(71) Applicant: **Servi-Sure, LLC**, Chicago, IL (US)

(72) Inventor: **Michael Joseph Wolfer**, Riverside, IL (US)

(73) Assignee: **Servi-Sure, LLC**, Chicago, IL (US)

(**) Term: **14 Years**

(21) Appl. No.: **29/499,208**

(22) Filed: **Aug. 12, 2014**

(51) **LOC (10) Cl.** **08-08**

(52) **U.S. Cl.**
USPC **D8/395**

(58) **Field of Classification Search**
USPC D8/354, 356, 371, 394-396; D19/65,
D19/86; D24/128; 248/74.2, 215, 227.1, 49,
248/300, 301, 316.7, 51, 489; 24/570, 3.12;
D32/61; D11/78.1

See application file for complete search history.

(56) **References Cited**

U.S. PATENT DOCUMENTS

D24,158 S *	3/1895	Sager	D12/125
D34,060 S *	2/1901	Mowen	D19/65
803,464 A *	10/1905	Beck	24/339
D41,493 S *	6/1911	Schade, Jr.	D8/395
D46,621 S *	11/1914	Schade, Jr.	D8/395
2,041,514 A *	5/1936	Reiter	24/453
D199,348 S *	10/1964	Mussy	D28/40
D206,783 S *	1/1967	McCormick	D20/43
3,309,052 A *	3/1967	Borisof	248/205.3

D256,258 S *	8/1980	Varrin	D20/43
D262,063 S *	11/1981	Springer	D28/40
D376,535 S *	12/1996	Gary et al.	D8/395
D386,215 S *	11/1997	White et al.	D20/43
D547,171 S *	7/2007	Snell	D8/395
D562,675 S *	2/2008	Cox et al.	D8/395
D606,848 S *	12/2009	Jimenez	D8/395
D675,087 S *	1/2013	Gary et al.	D8/395
D675,510 S *	2/2013	Gary et al.	D8/395
D696,105 S *	12/2013	Devilliers et al.	D8/395

* cited by examiner

Primary Examiner — John Windmuller

(74) *Attorney, Agent, or Firm* — Knobbe, Martens, Olson & Bear, LLP

(57) **CLAIM**

The ornamental design for a wolf clip with serrated top and bottom contact, as shown and described.

DESCRIPTION

FIG. 1 is a front perspective view of the wolf clip with serrated top and bottom contact of the present design; FIG. 2 is a rear perspective view thereof; FIG. 3 is a front elevational view thereof; FIG. 4 is a rear elevational view thereof; FIG. 5 is a right side elevational view thereof, the left side elevational view being a mirror image thereof; FIG. 6 is a top plan view thereof; and, FIG. 7 bottom plan view thereof.

Broken lines are used to illustrate features of the wolf clip with serrated top and bottom contact which form no part of the claimed design.

1 Claim, 3 Drawing Sheets

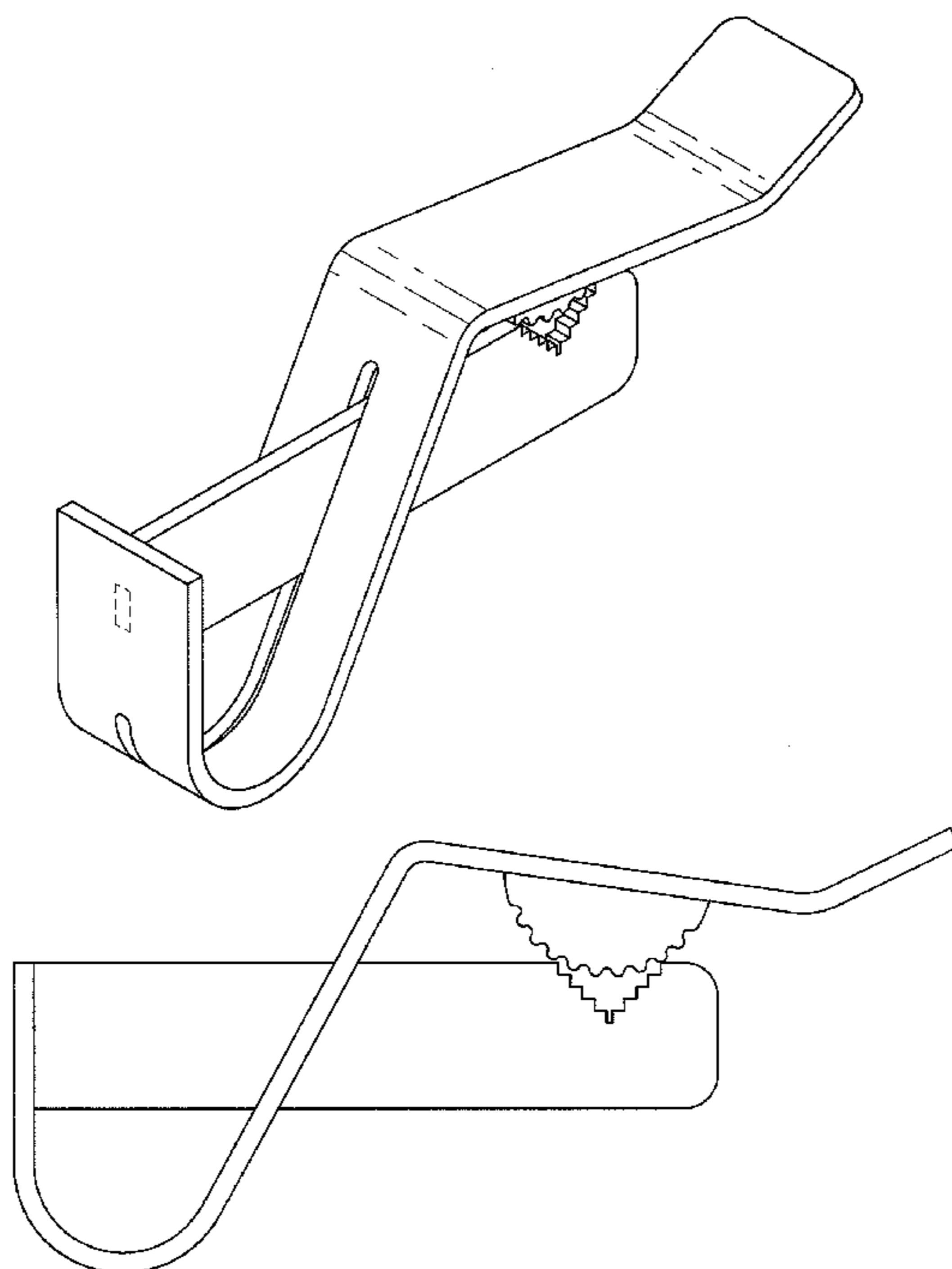


FIG. 1

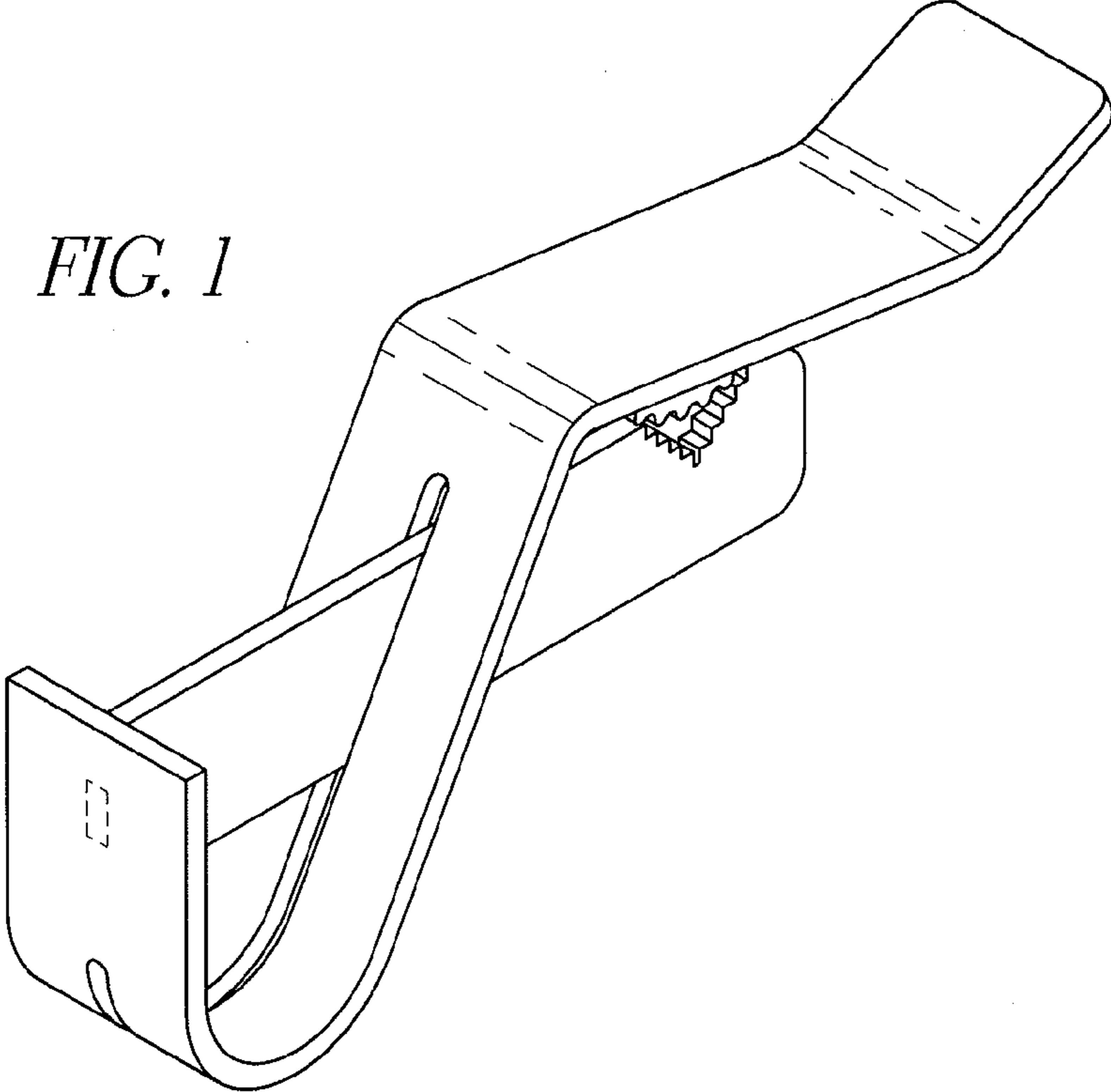
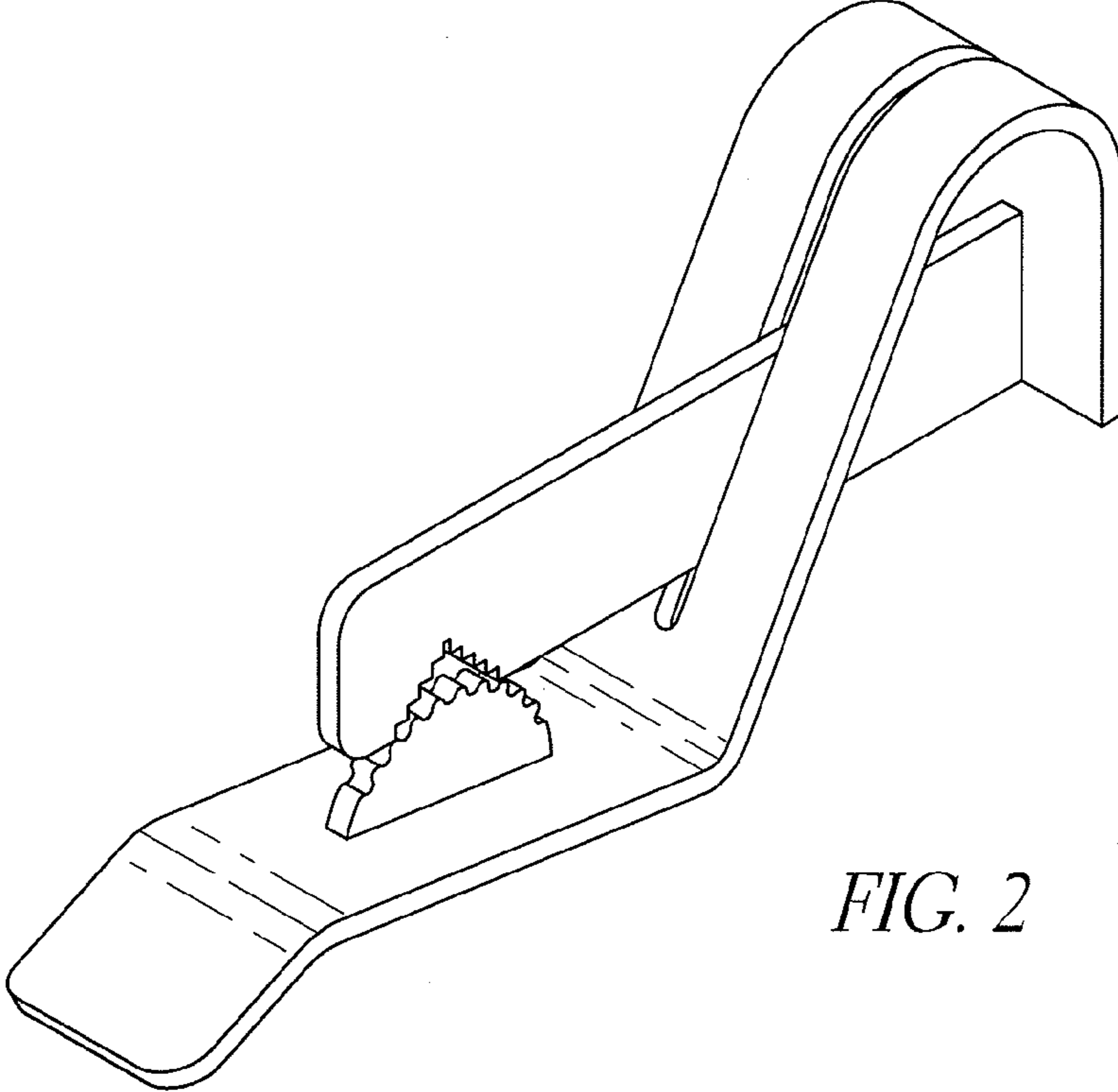


FIG. 2



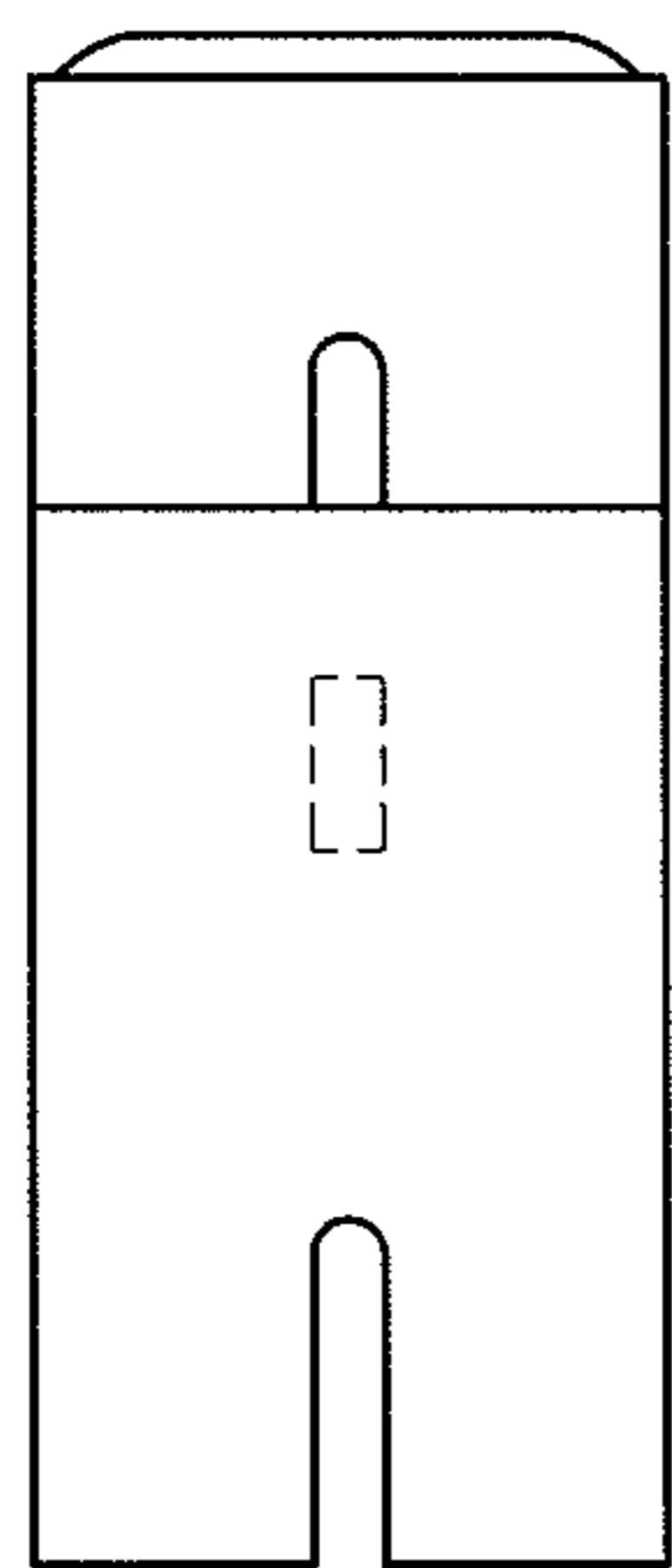


FIG. 3

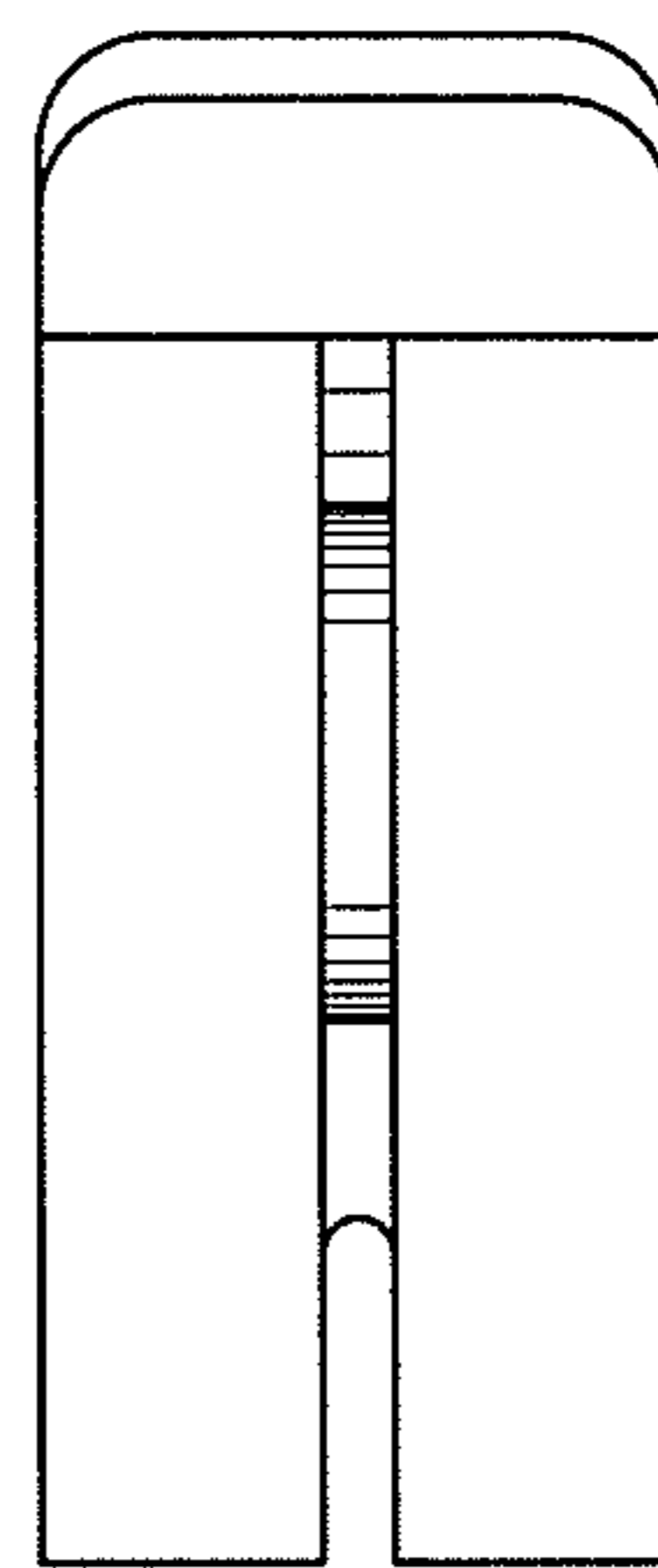


FIG. 4

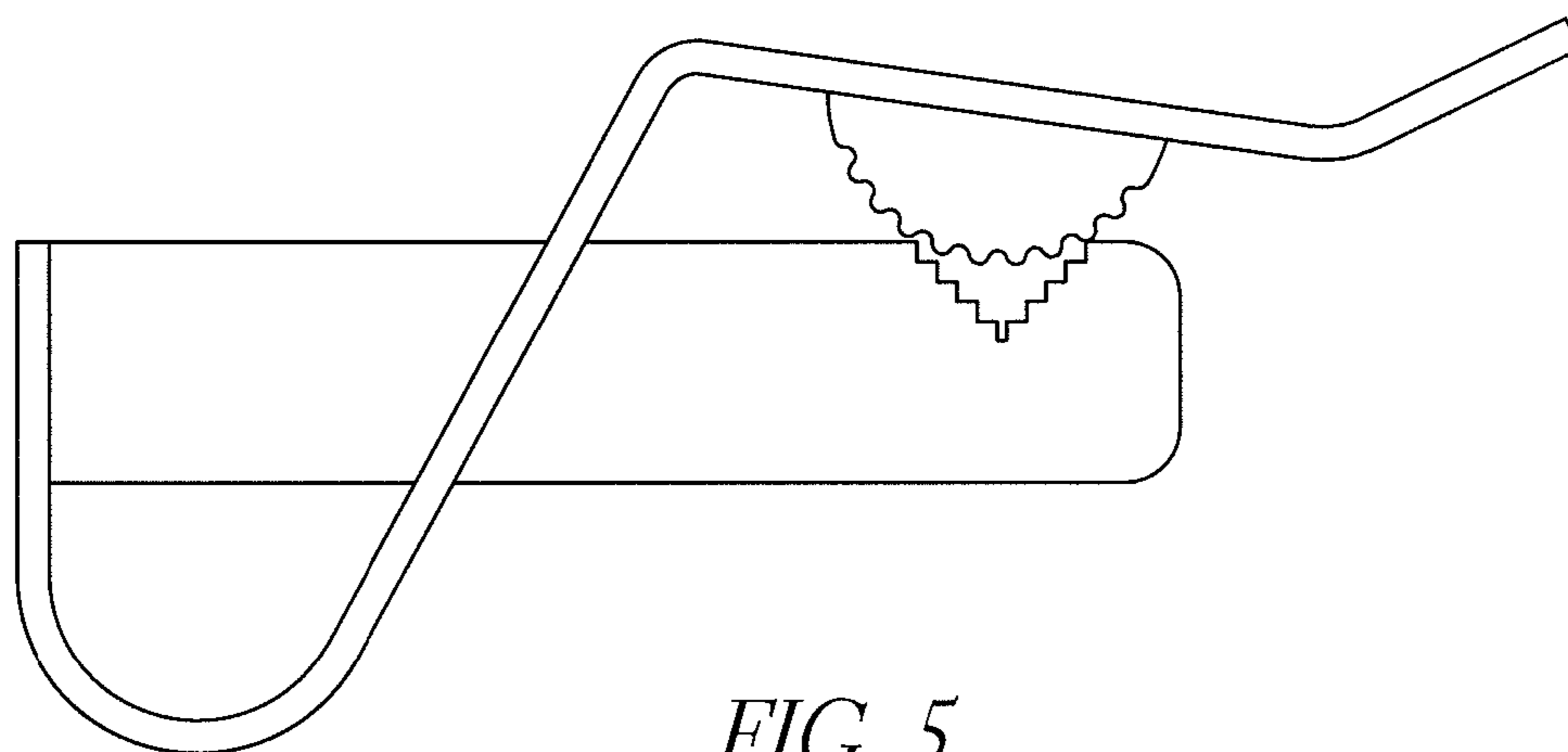


FIG. 5

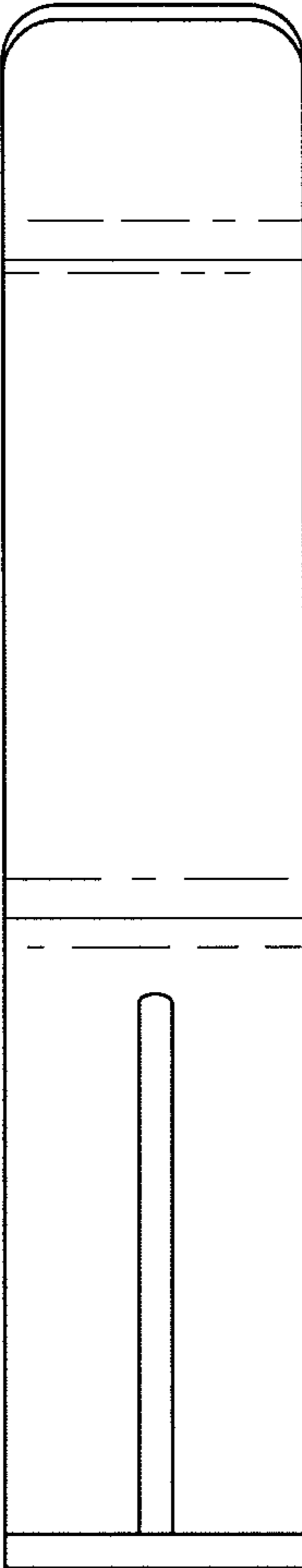


FIG. 6

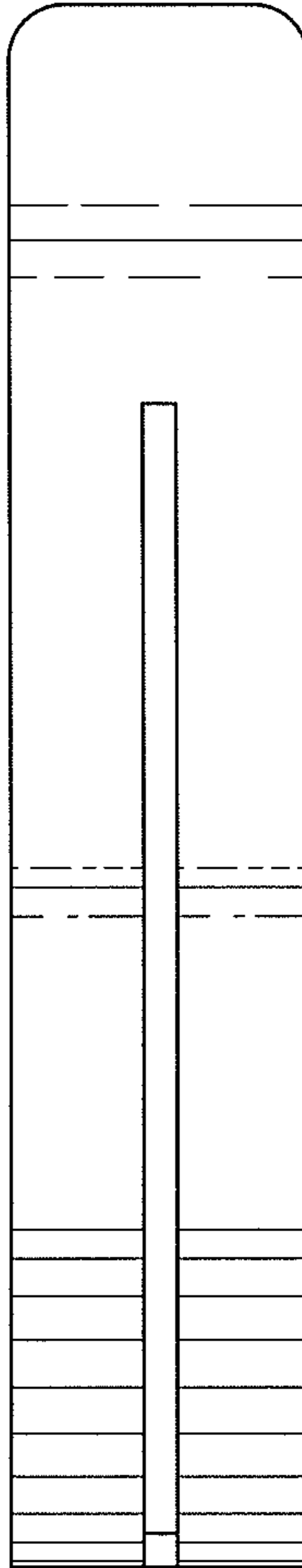


FIG. 7