



US00D730165S

(12) **United States Design Patent**
Refior et al.

(10) **Patent No.:** **US D730,165 S**
(45) **Date of Patent:** **** May 26, 2015**

(54) **CORD CLIP**

(75) Inventors: **Philipp H. Refior**, Tokyo (JP); **Noriko Kikuchi**, Kanagawa (JP); **Hajime Okuno**, Kanagawa Prefecture (JP); **Shinichi Togo**, Kanagawa (JP); **Manabu Kitsunai**, Saitama Prefecture (JP)

D637,877 S * 5/2011 Elkins D8/44
D650,951 S 12/2011 Connelly
8,096,017 B2 * 1/2012 Van Walraven et al. 16/2.1
D672,223 S 12/2012 Thompson
D675,086 S * 1/2013 Gary et al. D8/395
D675,512 S * 2/2013 Gary et al. D8/395

(Continued)

(73) Assignee: **3M INNOVATIVE PROPERTIES COMPANY**, St. Paul, MN (US)

(**) Term: **14 Years**

(21) Appl. No.: **29/426,351**

(22) Filed: **Jul. 3, 2012**

(30) **Foreign Application Priority Data**

Jan. 6, 2012 (JP) 2012-000147
Jan. 6, 2012 (JP) 2012-000148

(51) **LOC (10) Cl.** **08-08**

(52) **U.S. Cl.**
USPC **D8/395; D8/349**

(58) **Field of Classification Search**
CPC F16B 2/248; F16B 2/246
USPC 16/2.1; 248/71, 73, 222.12, 67.7, 74.4;
411/45, 54.1; D8/349, 394, 395, 44,
D8/354, 360.1, 356

See application file for complete search history.

(56) **References Cited**

U.S. PATENT DOCUMENTS

D393,201 S * 4/1998 Hearidge et al. D8/395
D459,194 S 6/2002 Johansson
D565,944 S * 4/2008 Pitcher D8/395
D576,478 S * 9/2008 Mead et al. D8/395
D601,098 S 9/2009 Phelps
7,866,612 B2 * 1/2011 Doi et al. 248/71
D632,554 S * 2/2011 Grzyb D8/395
D633,378 S 3/2011 Chan

FOREIGN PATENT DOCUMENTS

CA D146386 6/2013
GB D4015631 9/2010

(Continued)

OTHER PUBLICATIONS

Cord Clip, Manufactured by Asahi Electric Co., Ltd.
Nylon Sticker, Manufactured by Ohm Electric Inc.

Primary Examiner — Ian Simmons
Assistant Examiner — Harold Blackwell, II
(74) *Attorney, Agent, or Firm* — Irina Hass

(57) **CLAIM**

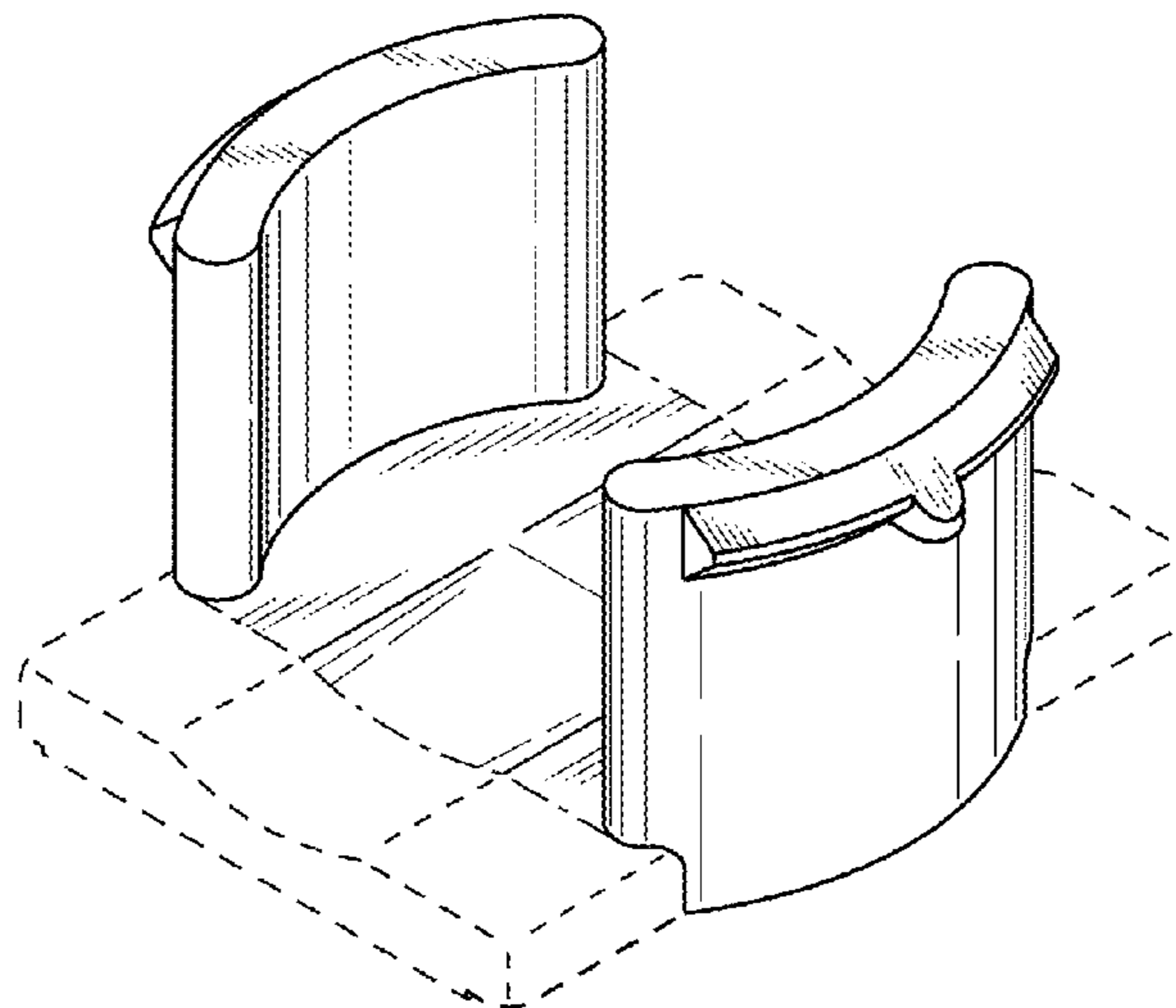
The ornamental design for a cord clip, as shown and described.

DESCRIPTION

FIG. 1 is a perspective view of the new design for a cord clip;
FIG. 2 is a front view thereof;
FIG. 3 is a rear view thereof;
FIG. 4 is a right side view thereof;
FIG. 5 is a left side view thereof;
FIG. 6 is a top view thereof; and,
FIG. 7 is a bottom view thereof.

The dot dash dot line immediately adjacent to the shaded areas represents the boundaries of the claim. The evenly-spaced dashed lines illustrate portions of the cord clip which form no part of the claimed design. None of the broken lines form part of the claimed design.

1 Claim, 2 Drawing Sheets



(56)

References Cited

D703,742 S 4/2014 Pennaz

U.S. PATENT DOCUMENTS

FOREIGN PATENT DOCUMENTS

D677,193 S 3/2013 MacDonald
8,496,420 B2 * 7/2013 Aoki et al. 411/45
D690,583 S * 10/2013 Sendra-Gonzalez et al. .. D8/394
D691,463 S * 10/2013 Sendra-Gonzalez et al. .. D8/394
D700,501 S * 3/2014 Ackerman et al. D8/349
8,662,455 B2 * 3/2014 Hernandez et al. 248/73

JP 2000-249260 9/2000
JP 2005-106279 4/2005
KR D300703597 8/2013
WO DM078718 1/2013

* cited by examiner

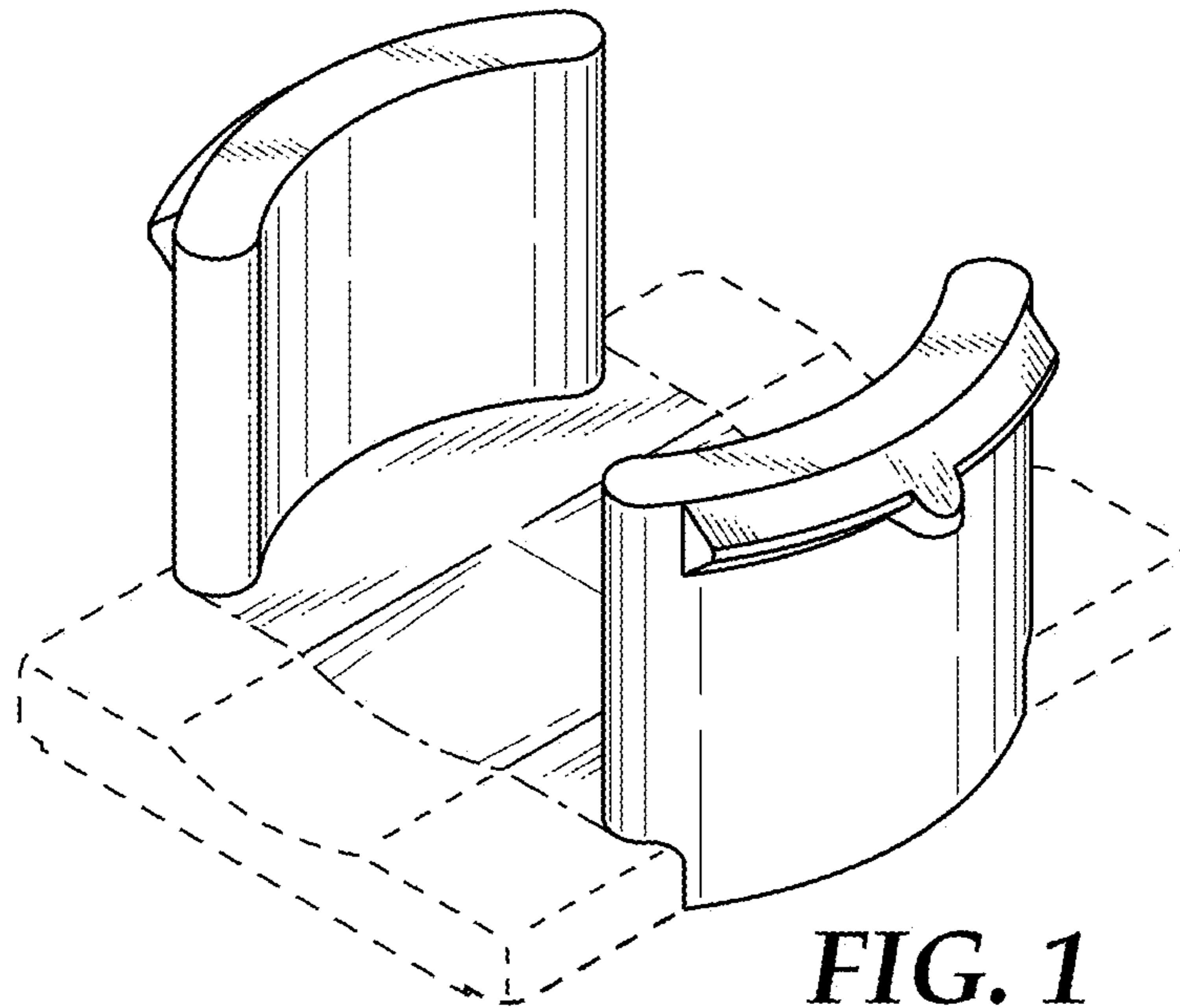


FIG. 1

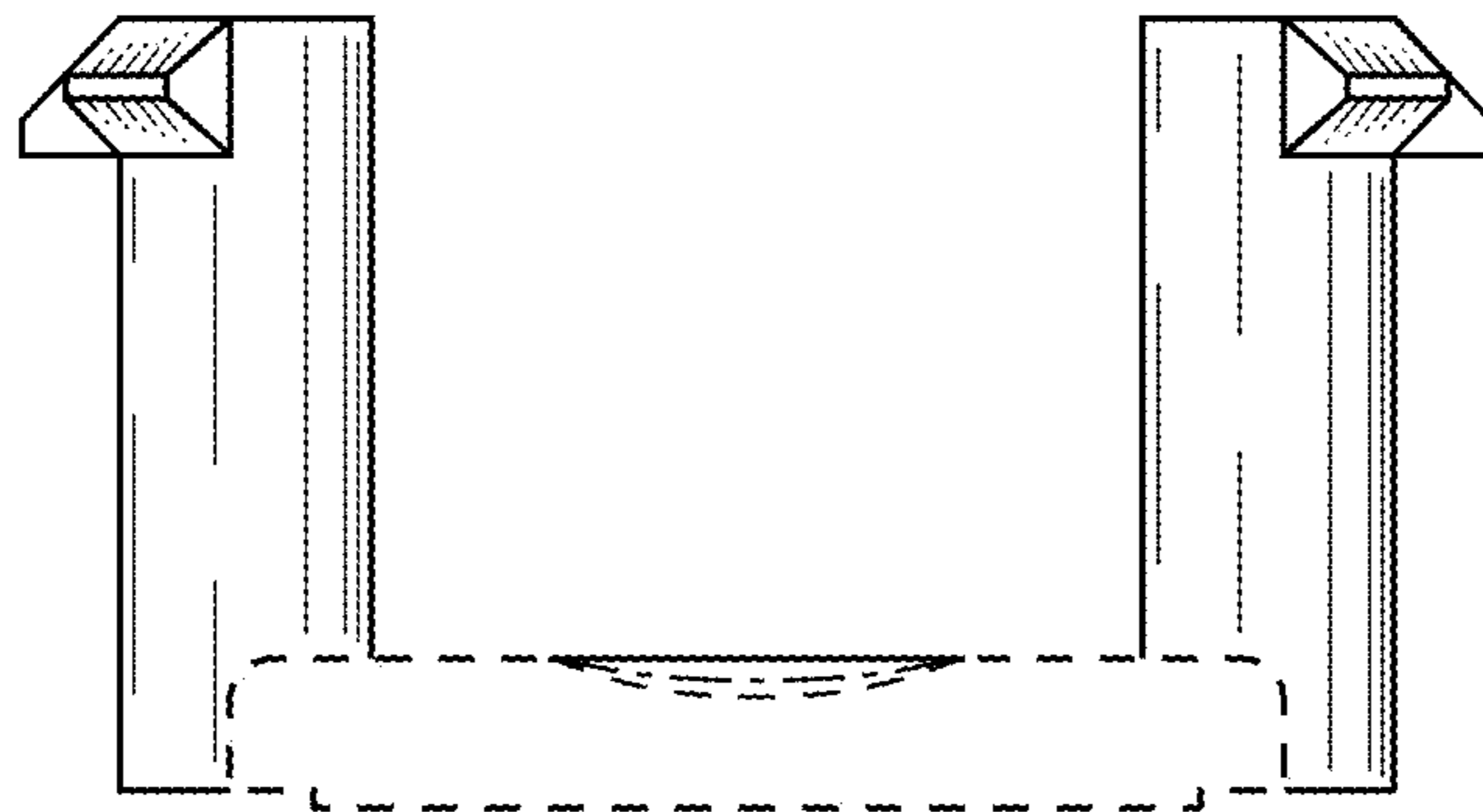


FIG. 2

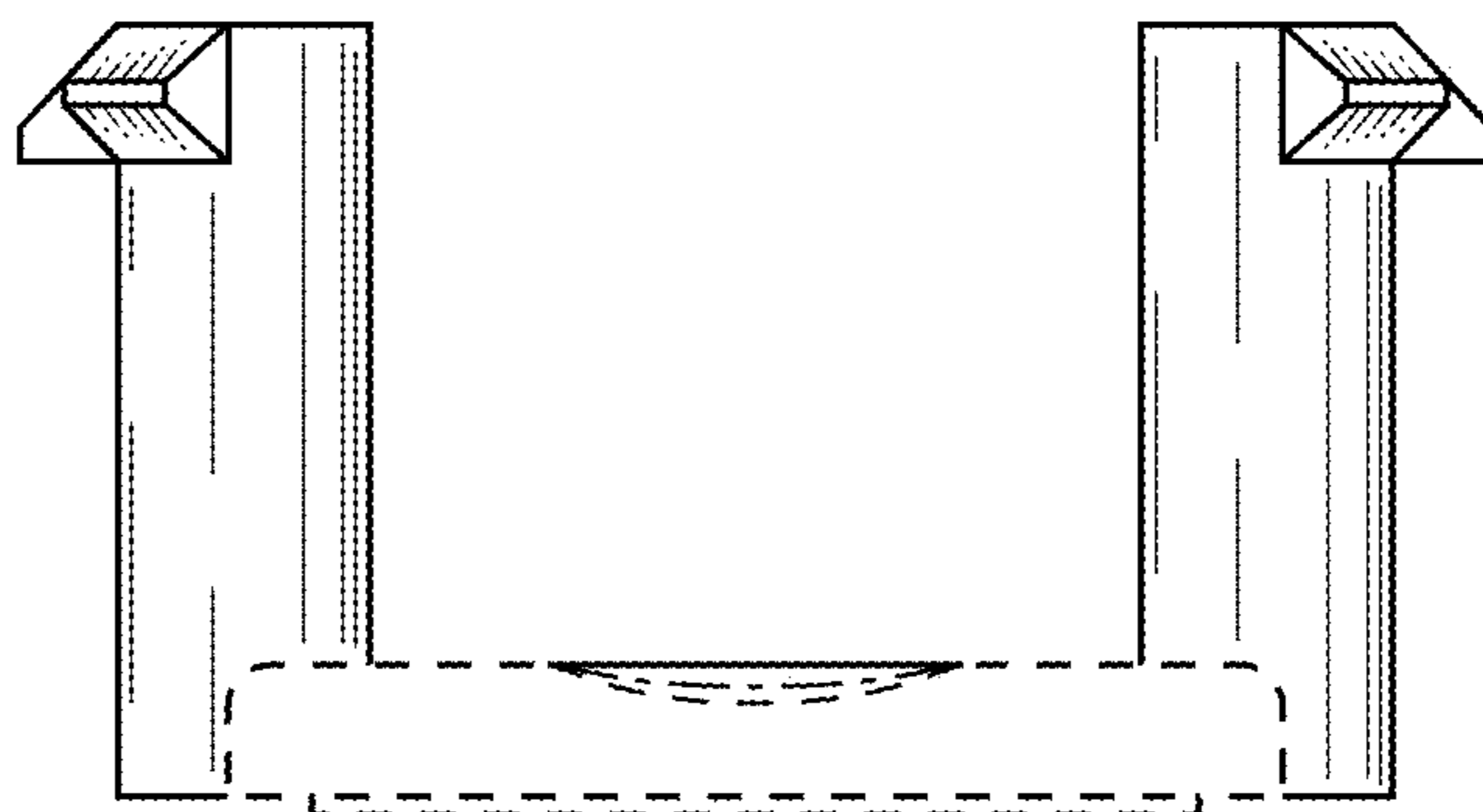


FIG. 3

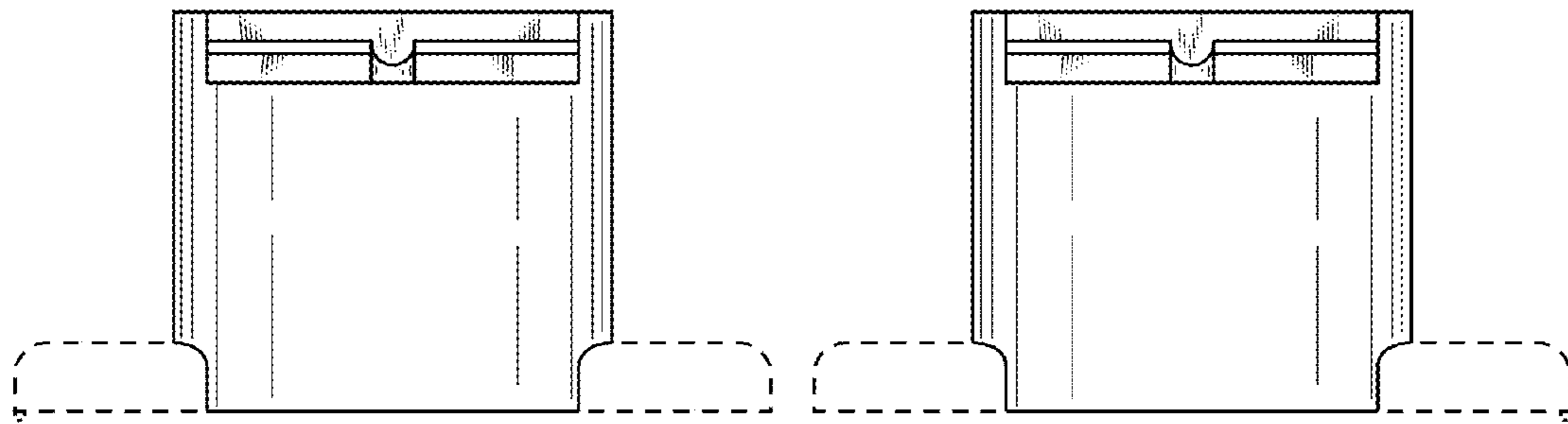


FIG. 4

FIG. 5

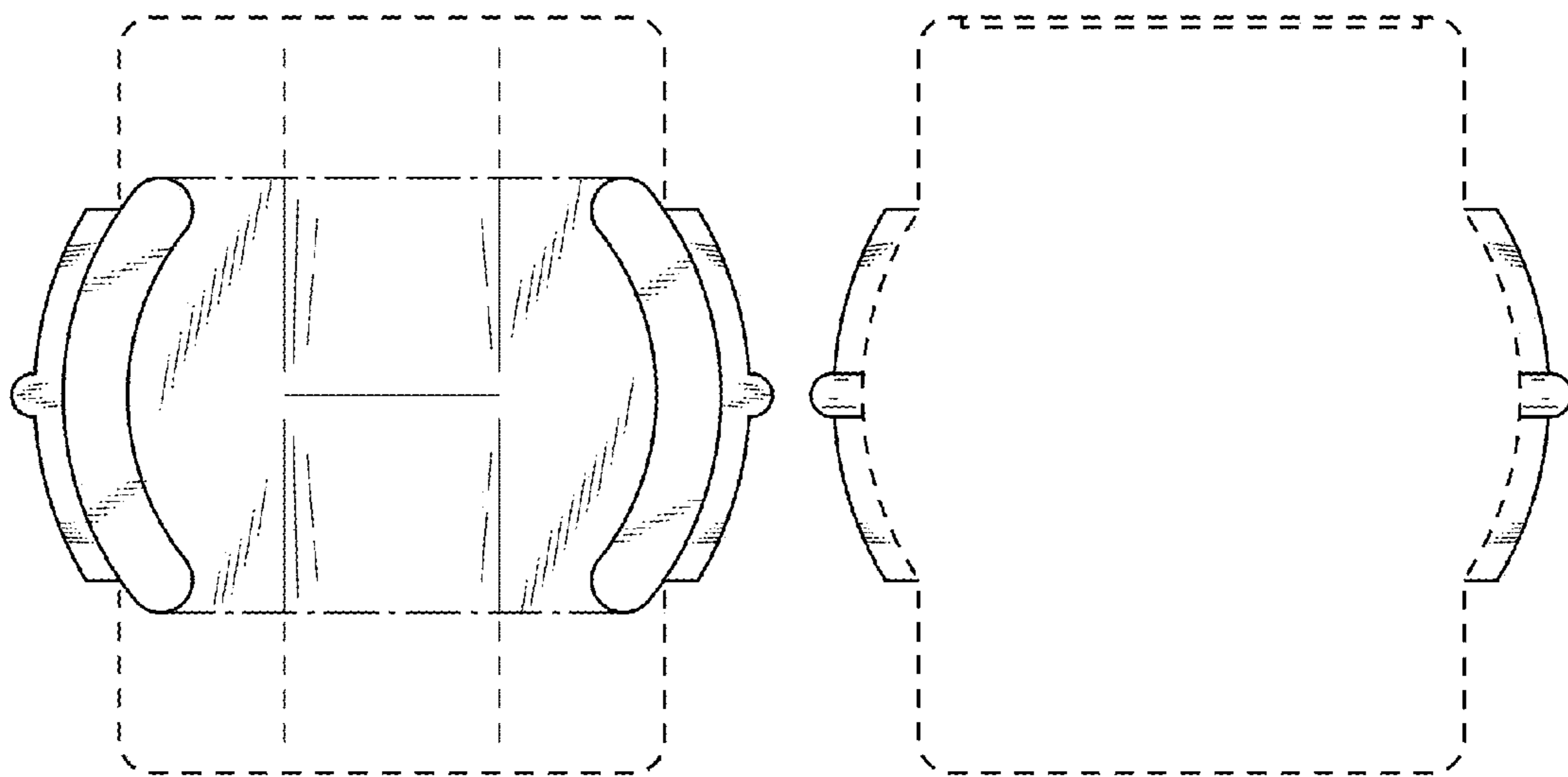


FIG. 6

FIG. 7