



US00D730163S

(12) **United States Design Patent**
Wu

(10) **Patent No.:** **US D730,163 S**

(45) **Date of Patent:** **** May 26, 2015**

(54) **ROD HANGING BRACKET**

(71) Applicant: **Chia-Lun Wu**, Tainan (TW)

(72) Inventor: **Chia-Lun Wu**, Tainan (TW)

(**) Term: **14 Years**

(21) Appl. No.: **29/473,090**

(22) Filed: **Nov. 19, 2013**

(51) **LOC (10) Cl.** **08-05**

(52) **U.S. Cl.**
USPC **D8/376**

(58) **Field of Classification Search**
USPC D8/14, 349, 354, 352, 356, 363, 380,
D8/499, 373, 376; 248/682, 683, 560,
248/205.3, 214, 251, 262
See application file for complete search history.

(56) **References Cited**

U.S. PATENT DOCUMENTS

D227,742 S *	7/1973	Logsdon	D8/354
D233,385 S *	10/1974	Friedman	D6/553
D242,986 S *	1/1977	Inglis	D8/363
D363,016 S *	10/1995	Sipprelle et al.	D8/395
D417,612 S *	12/1999	Jones	D8/395

D470,937 S *	2/2003	Gary et al.	D24/138
D585,268 S *	1/2009	Woolley	D8/380
D633,780 S *	3/2011	Barrese	D8/363
D648,620 S *	11/2011	Wagner	D8/396
D672,223 S *	12/2012	Thompson	D8/356
D682,464 S *	5/2013	Gary et al.	D26/142

* cited by examiner

Primary Examiner — Sheryl Lane

Assistant Examiner — Ieisha Price

(74) *Attorney, Agent, or Firm* — Alan D. Kamrath; Kamrath IP Lawfirm, P.A.

(57) **CLAIM**

The ornamental design for a rod hanging bracket, as shown and described.

DESCRIPTION

FIG. 1 is a perspective view of a rod hanging bracket showing my design;

FIG. 2 is a front elevational view thereof;

FIG. 3 is a rear elevational view thereof;

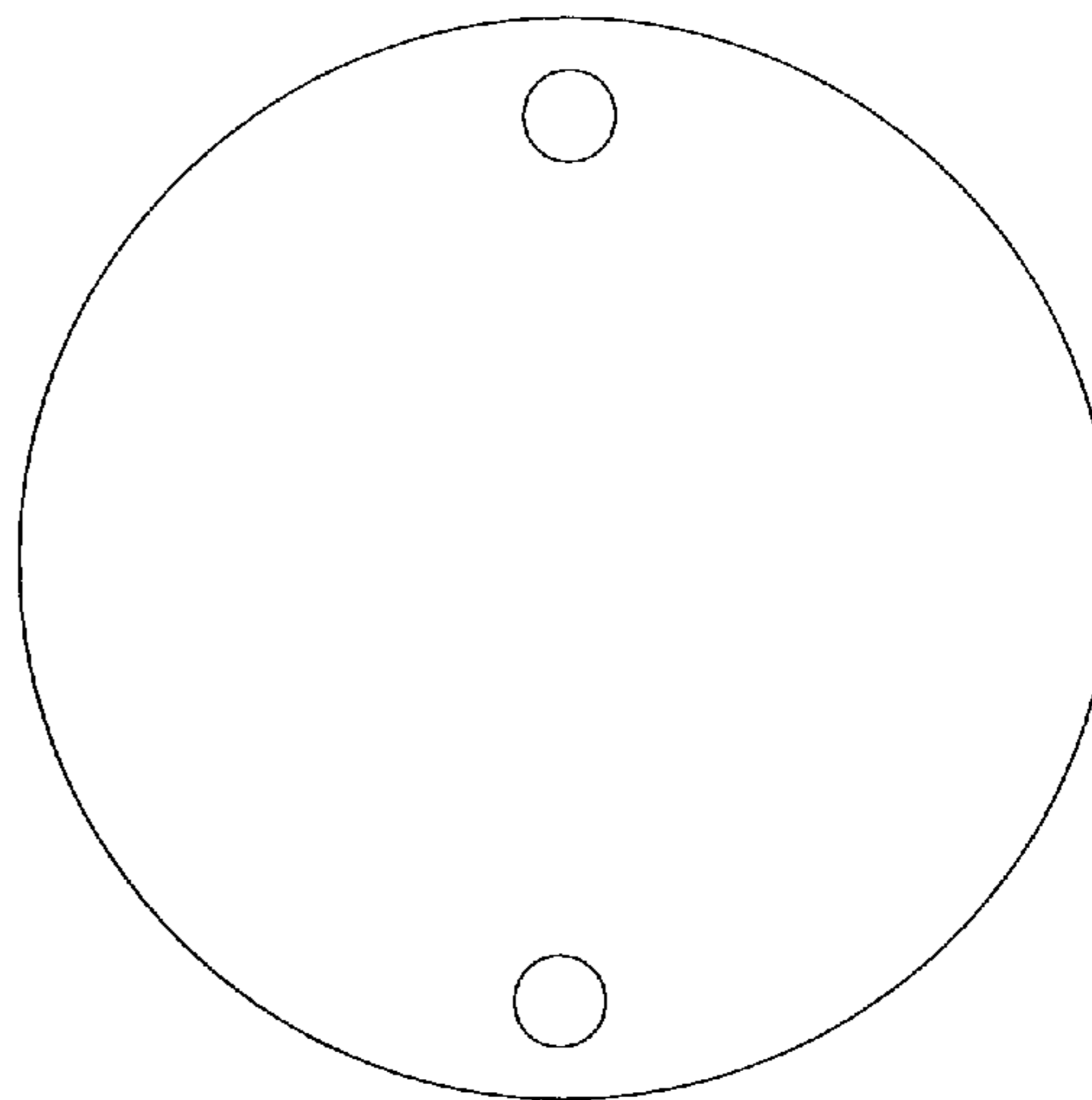
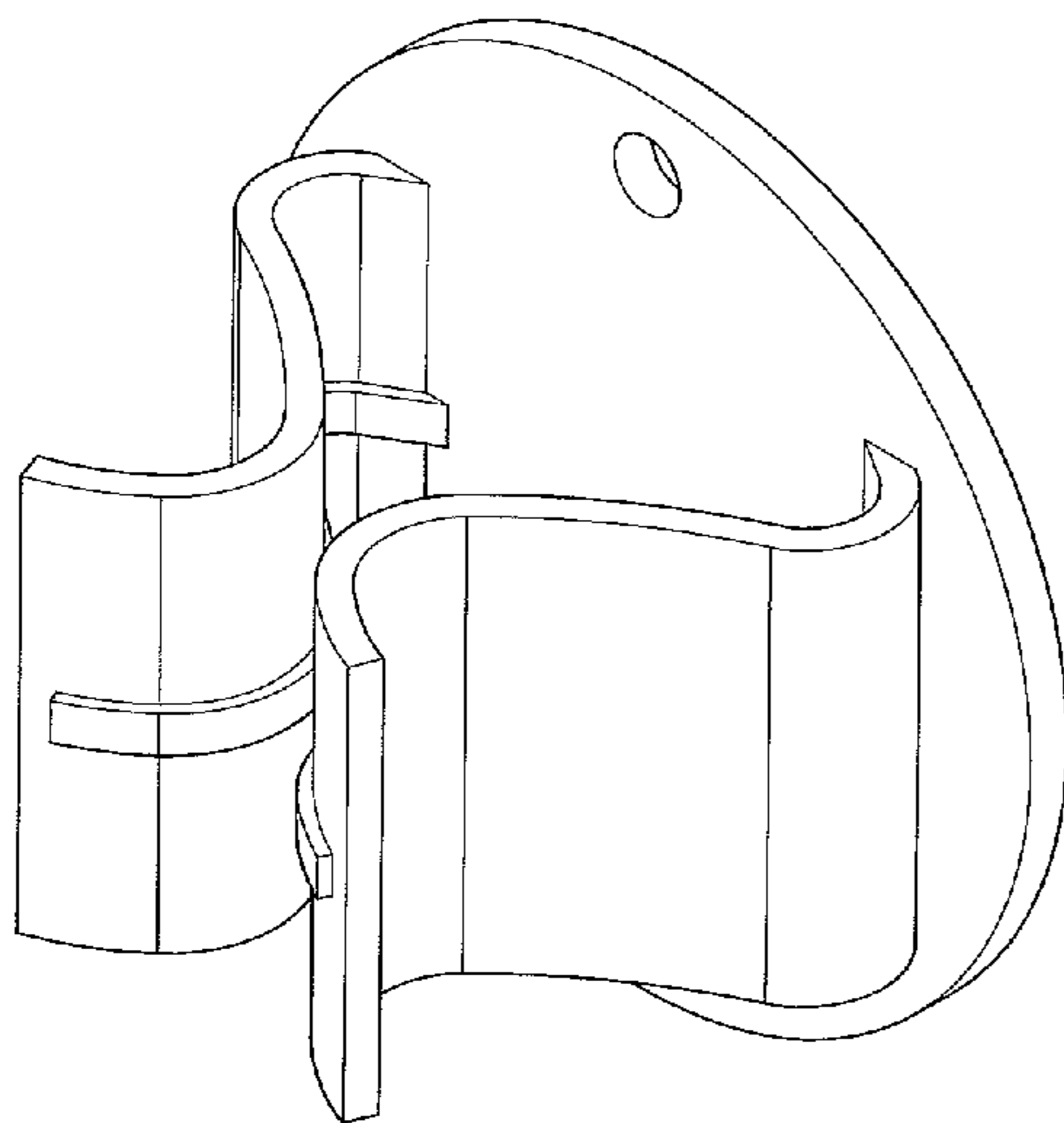
FIG. 4 is a left elevational view thereof;

FIG. 5 is a right elevational view thereof;

FIG. 6 is a top plan view thereof; and,

FIG. 7 is a bottom plan view thereof.

1 Claim, 4 Drawing Sheets



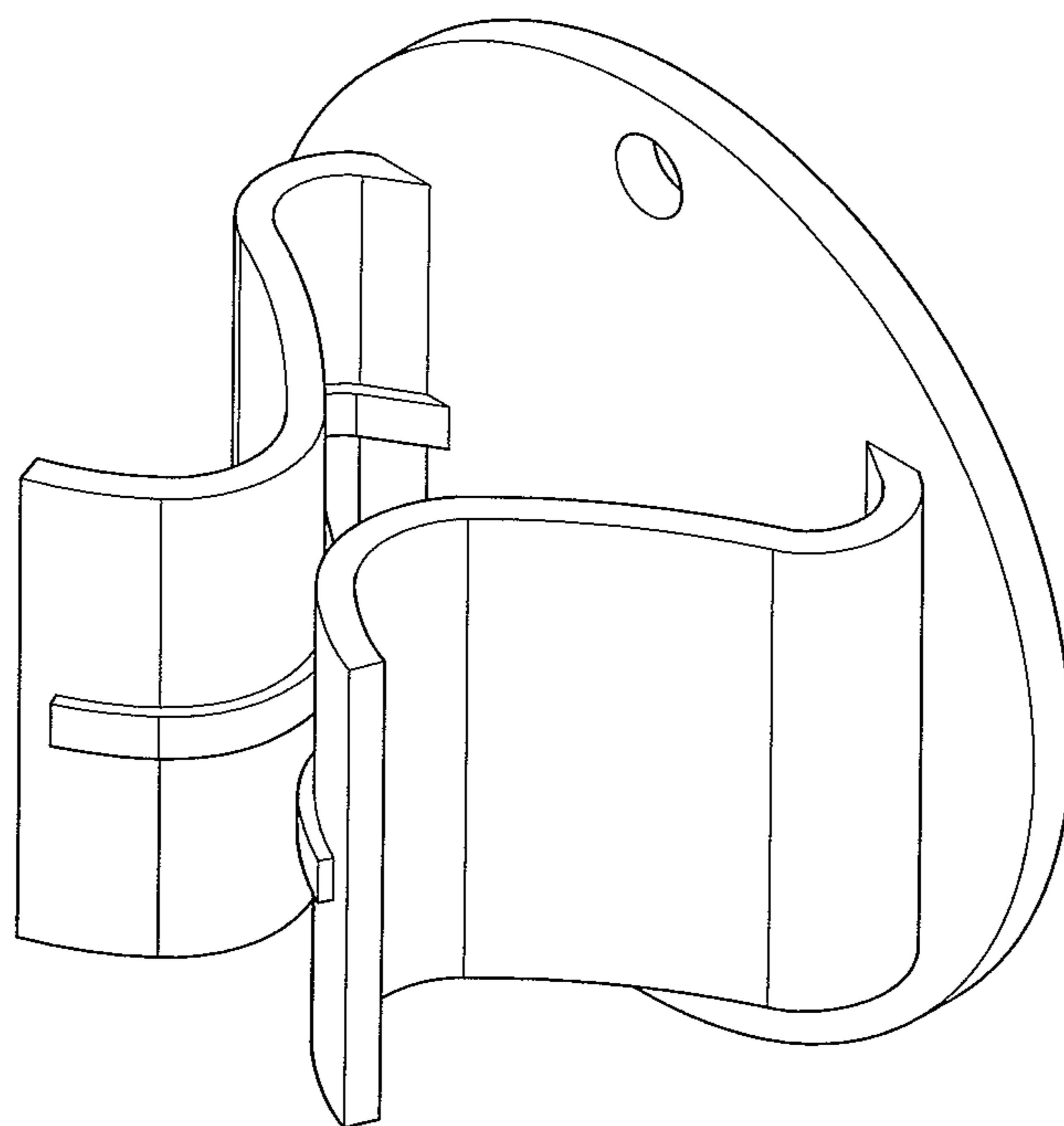


Fig. 1

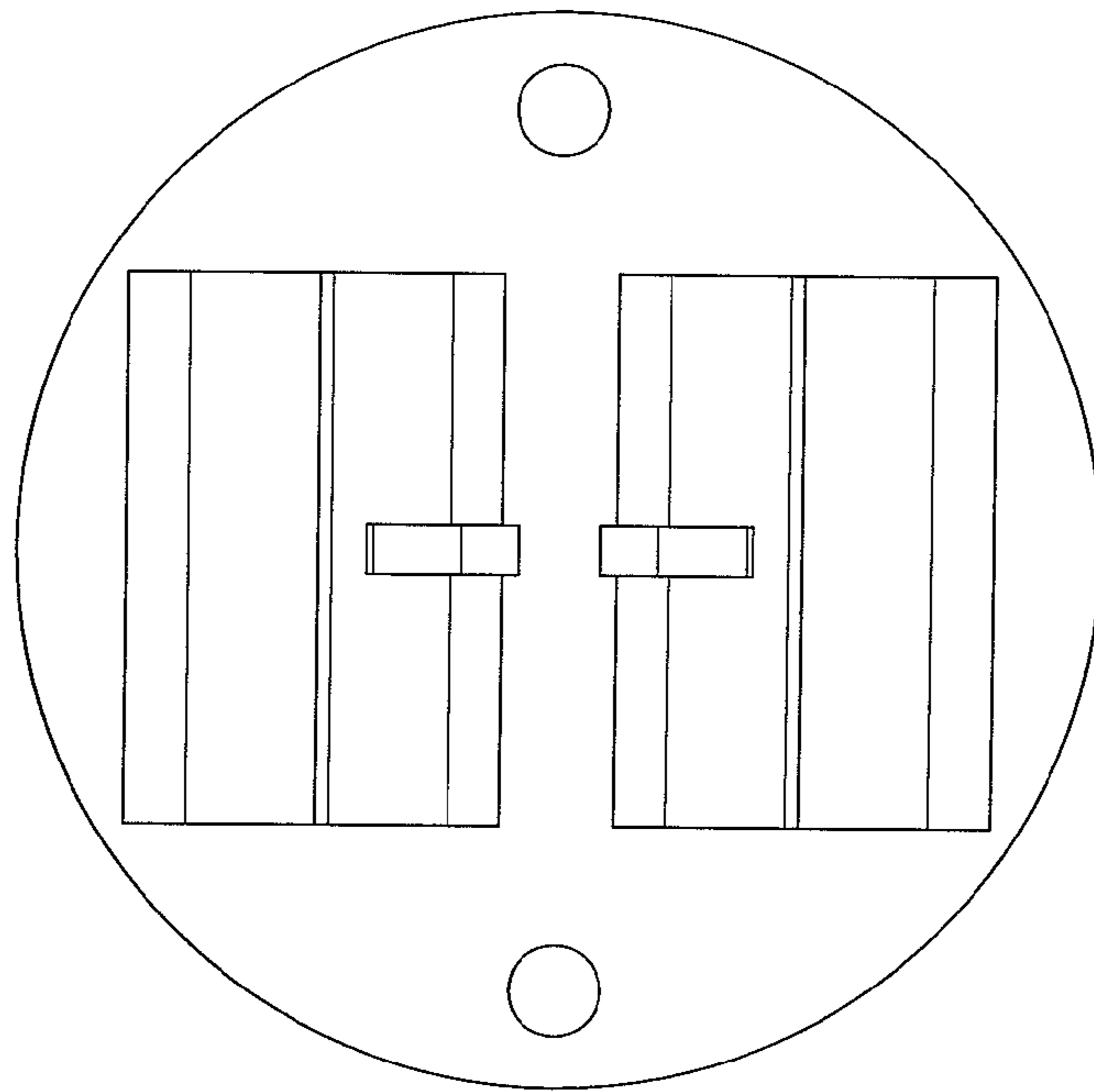


Fig. 2

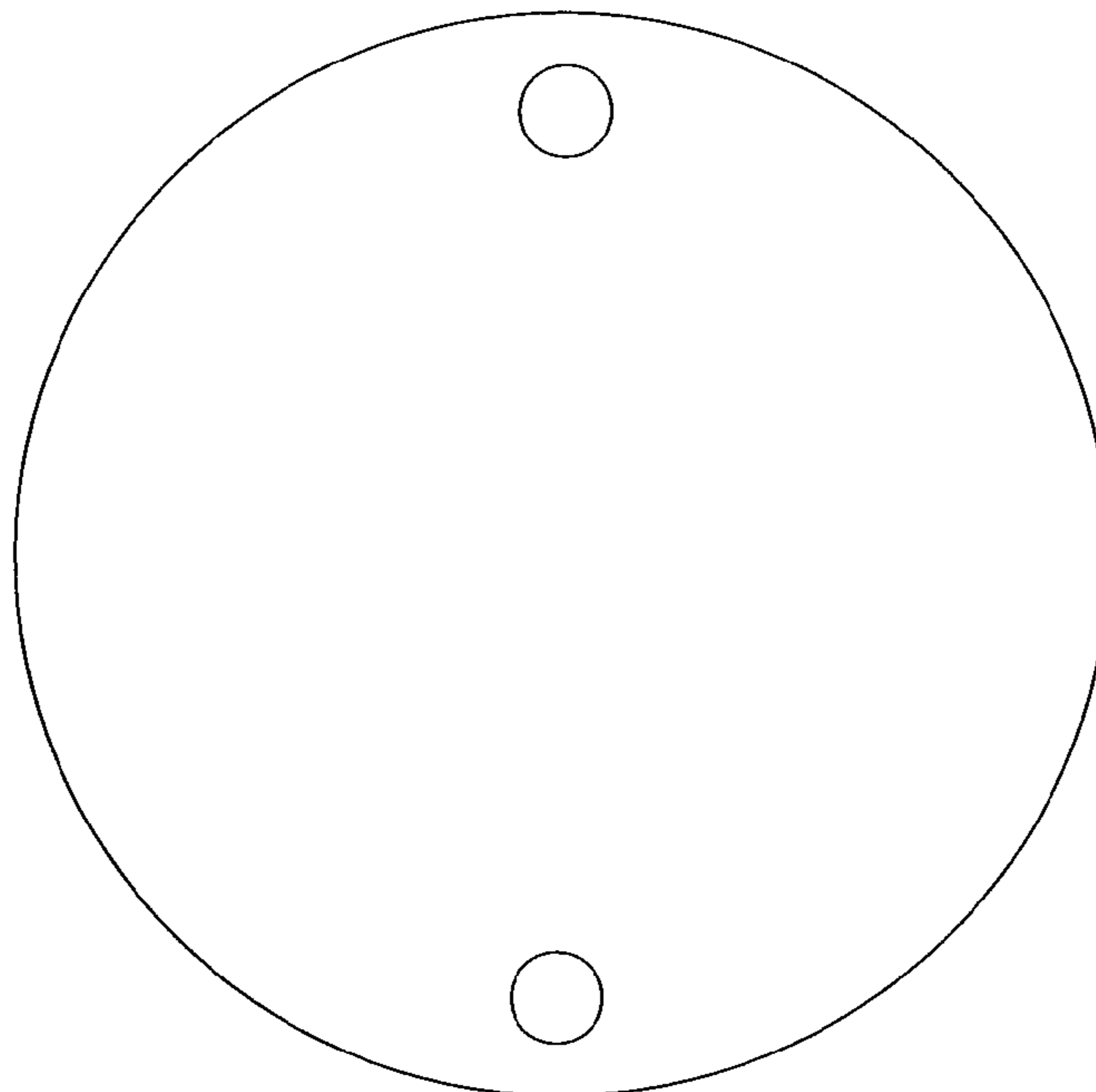


Fig. 3

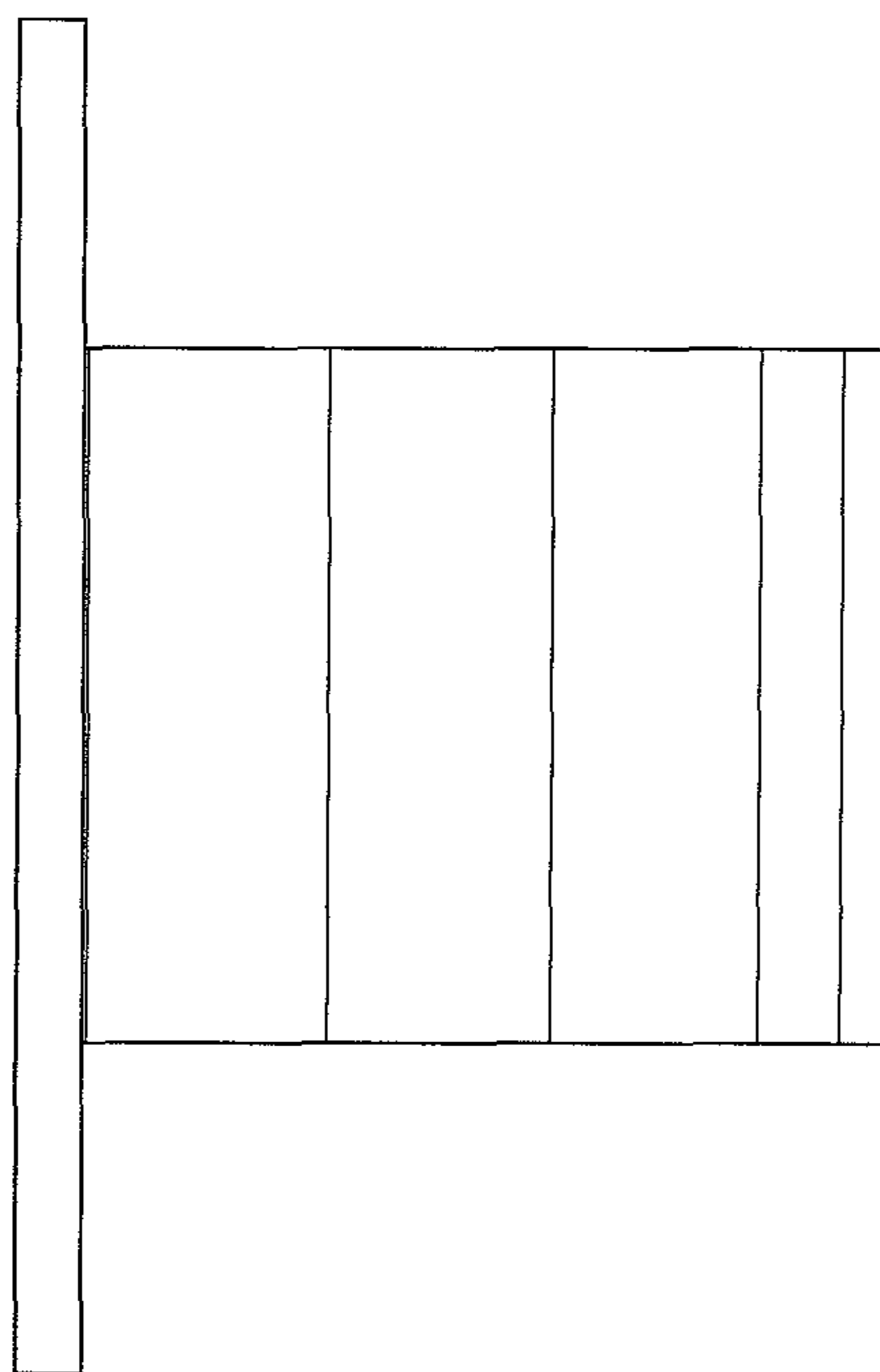


Fig. 4

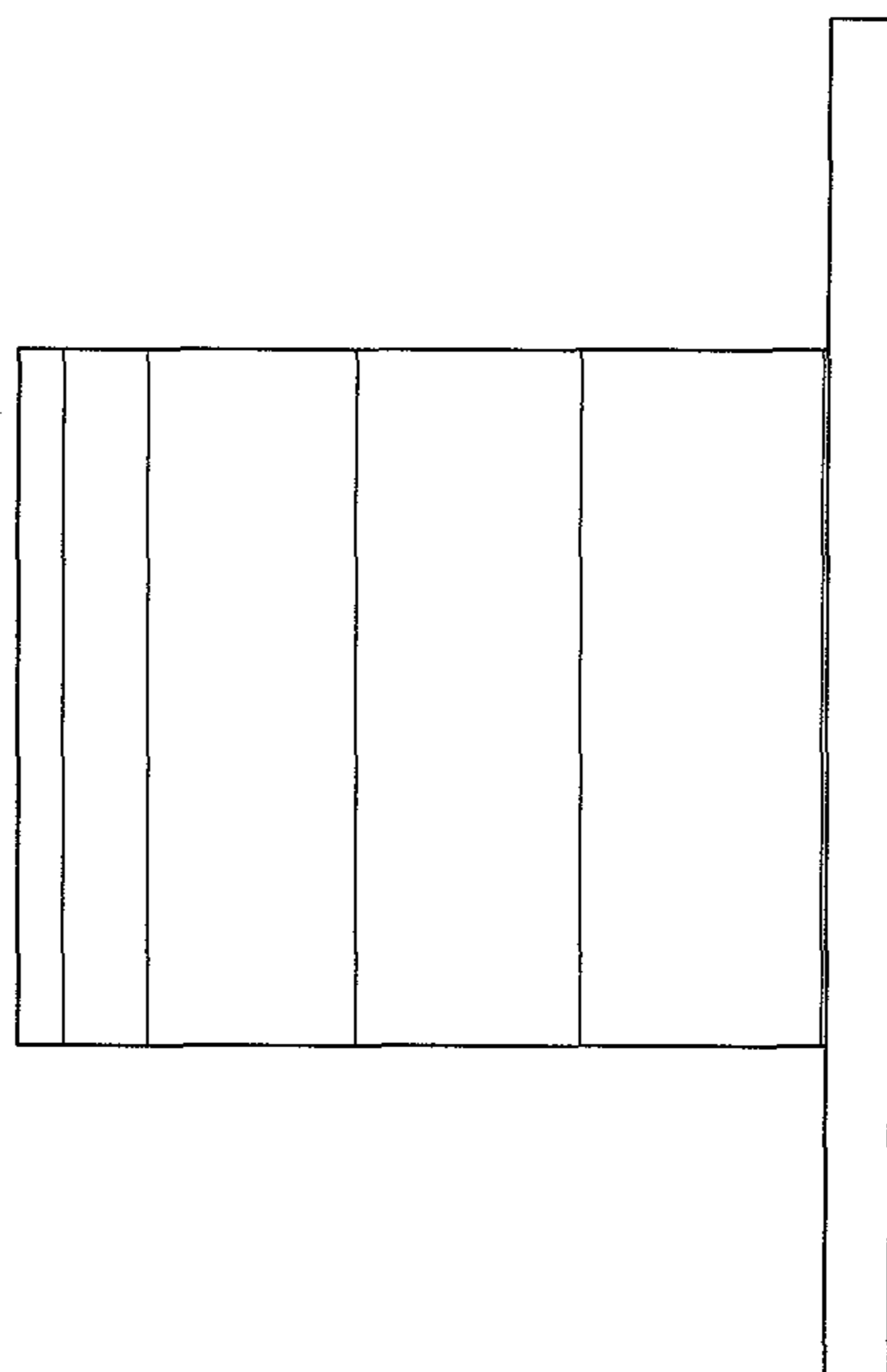


Fig. 5

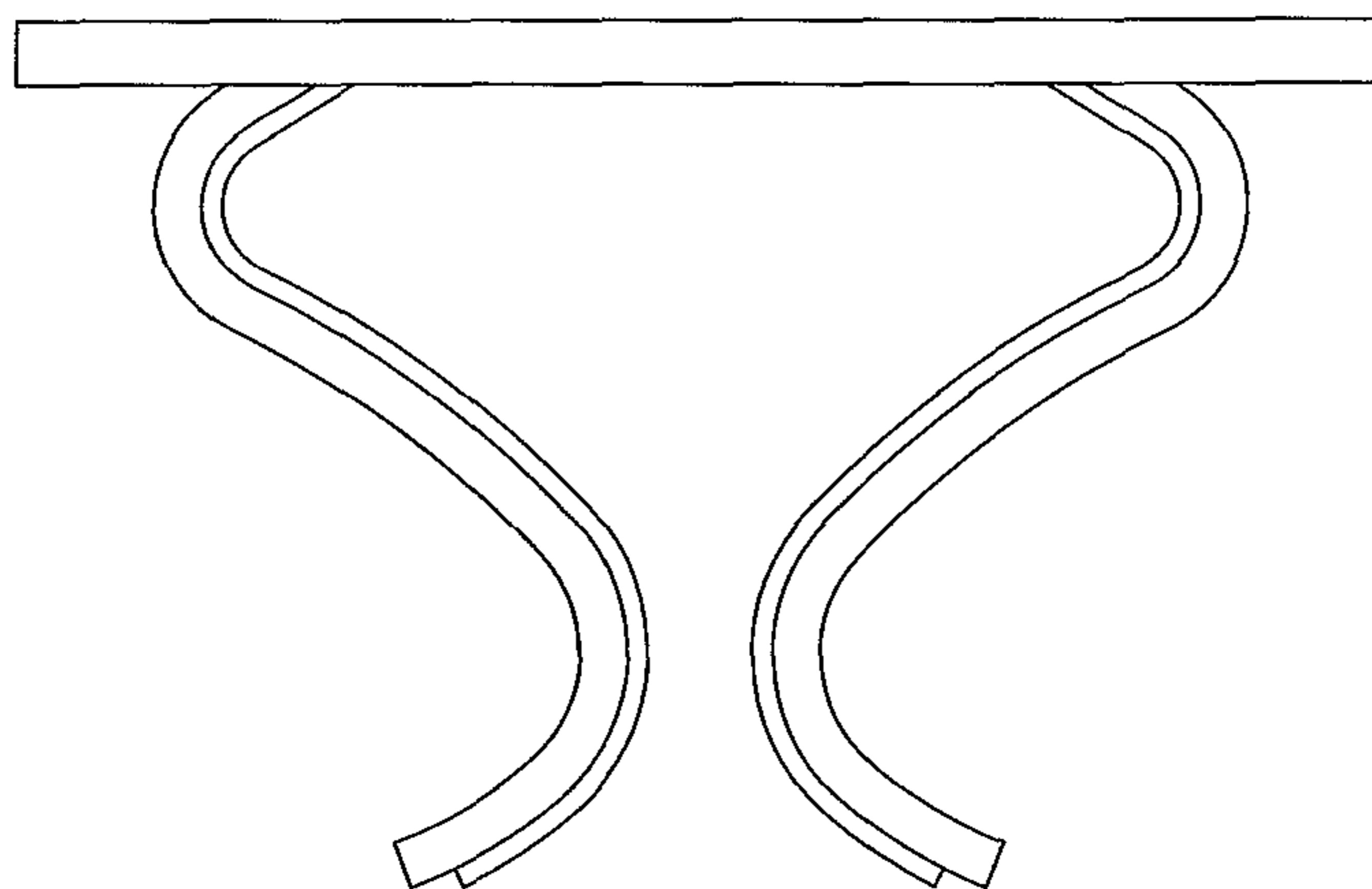


Fig. 6

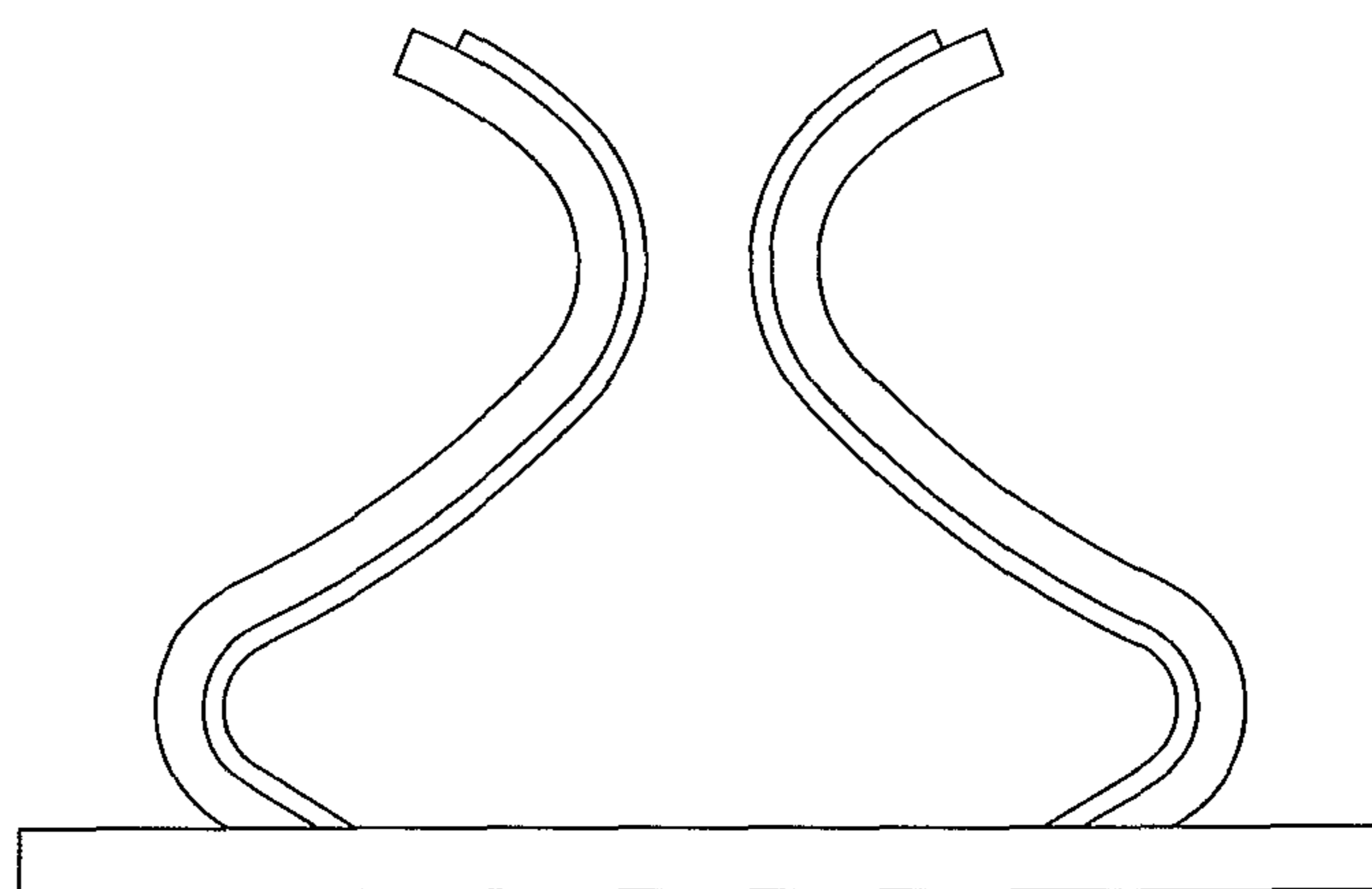


Fig. 7