

US00D730161S

(12) **United States Design Patent**
Veilleux

(10) **Patent No.:** **US D730,161 S**
(45) **Date of Patent:** **** May 26, 2015**

(54) **CEILING WALL HANGER**

(71) Applicant: **David Veilleux**, Stillwater, MN (US)

(72) Inventor: **David Veilleux**, Stillwater, MN (US)

(**) Term: **14 Years**

(21) Appl. No.: **29/453,003**

(22) Filed: **Apr. 24, 2013**

(51) **LOC (10) Cl.** **08-05**

(52) **U.S. Cl.**
USPC **D8/373**

(58) **Field of Classification Search**
CPC A47F 5/00; A47F 7/021; A47F 5/0006;
A47H 1/10; A47G 29/00; A47G 29/08;
A47B 97/00
USPC D8/349, 354, 373
See application file for complete search history.

(56) **References Cited**

U.S. PATENT DOCUMENTS

2,265,957 A *	12/1941	Tinnerman	24/295
2,353,796 A *	7/1944	Tinnerman	411/520
4,973,018 A *	11/1990	Agor	248/309.1
D339,981 S *	10/1993	Barnes	D8/373

* cited by examiner

Primary Examiner — Holly Baynham

(74) *Attorney, Agent, or Firm* — James A. Italia; Italia IP

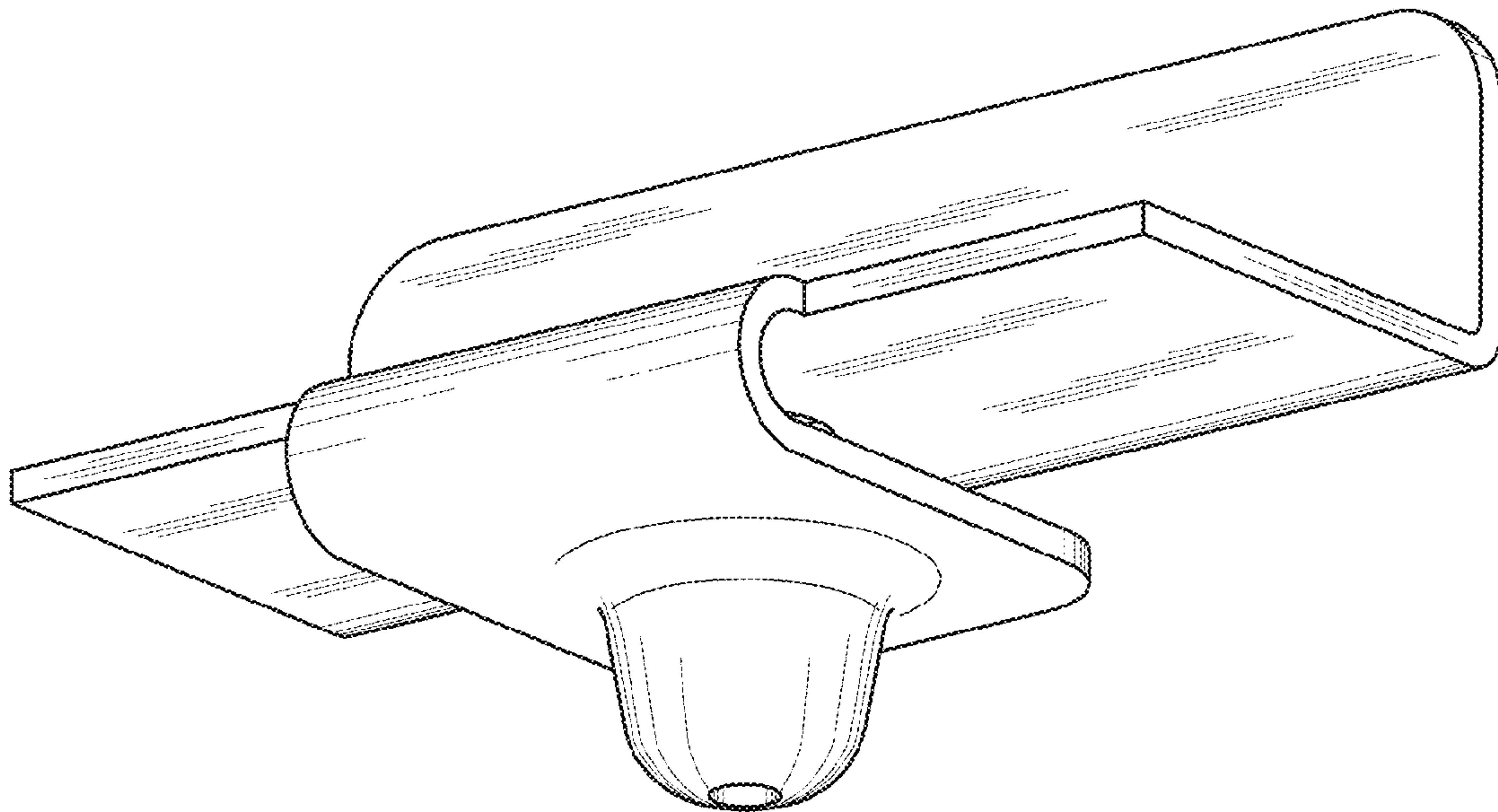
(57) **CLAIM**

The ornamental design for a ceiling wall hanger, as shown and described.

DESCRIPTION

FIG. 1 is a top perspective view of a ceiling wall hanger, showing my new design;
FIG. 2 is a front elevational view of the invention;
FIG. 3 is a rear elevational view of the invention;
FIG. 4 is a right-side elevational view of the invention;
FIG. 5 is a left-side elevational view of the invention;
FIG. 6 is a top plan view of the invention;
FIG. 7 is a bottom plan view of the invention; and,
FIG. 8 is a bottom perspective view of the invention.

1 Claim, 5 Drawing Sheets



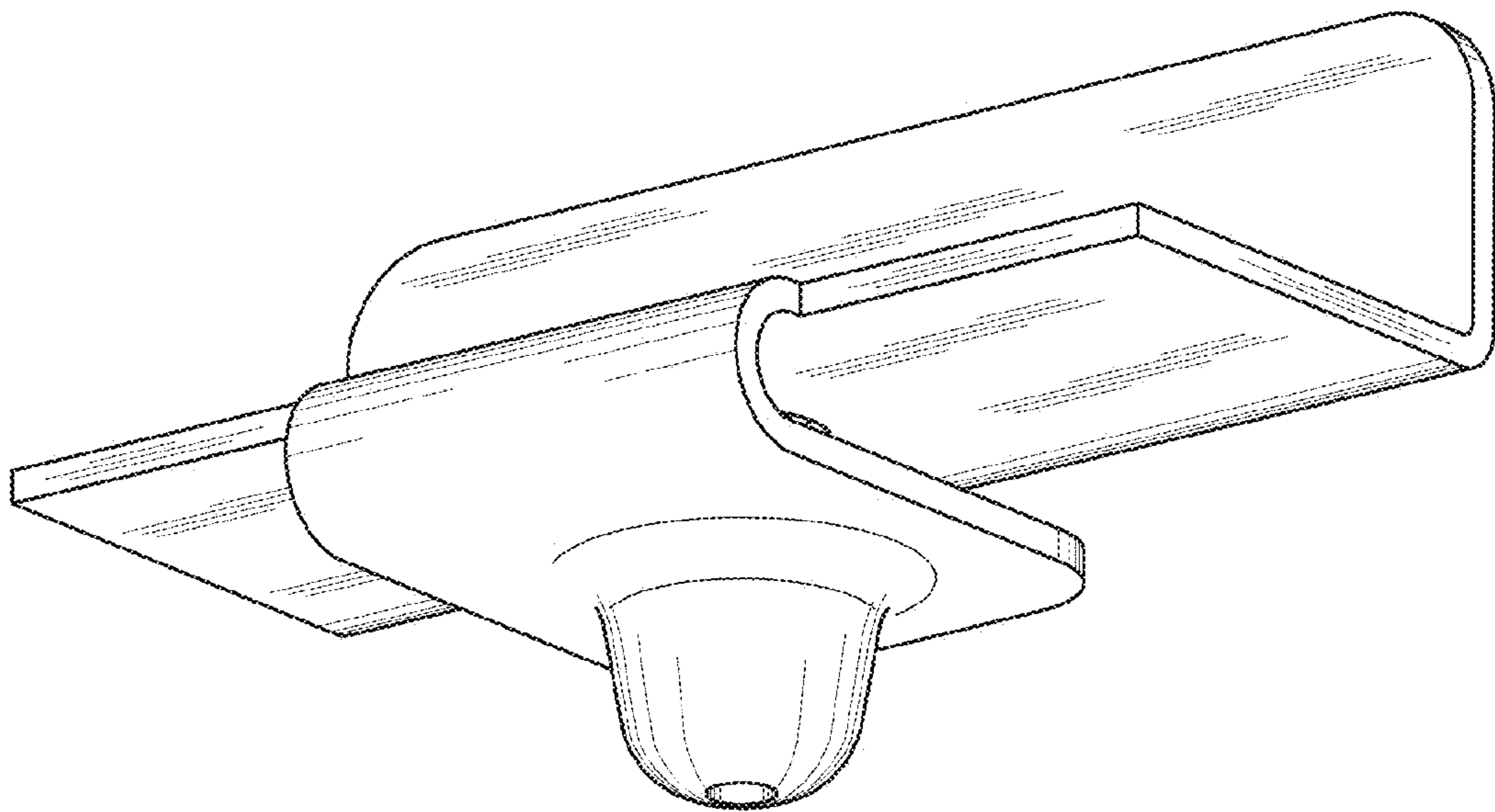


FIG. 1

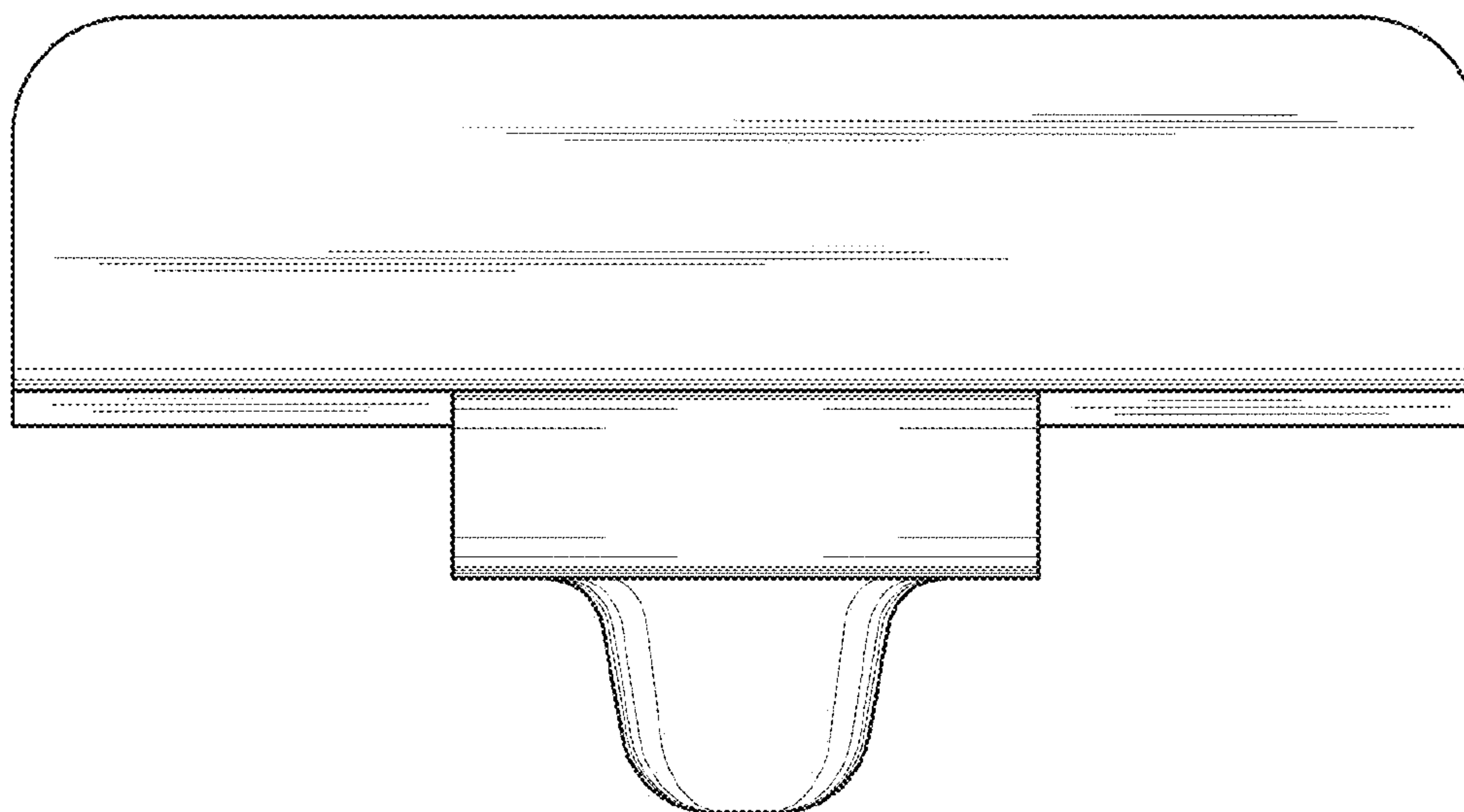


FIG. 2

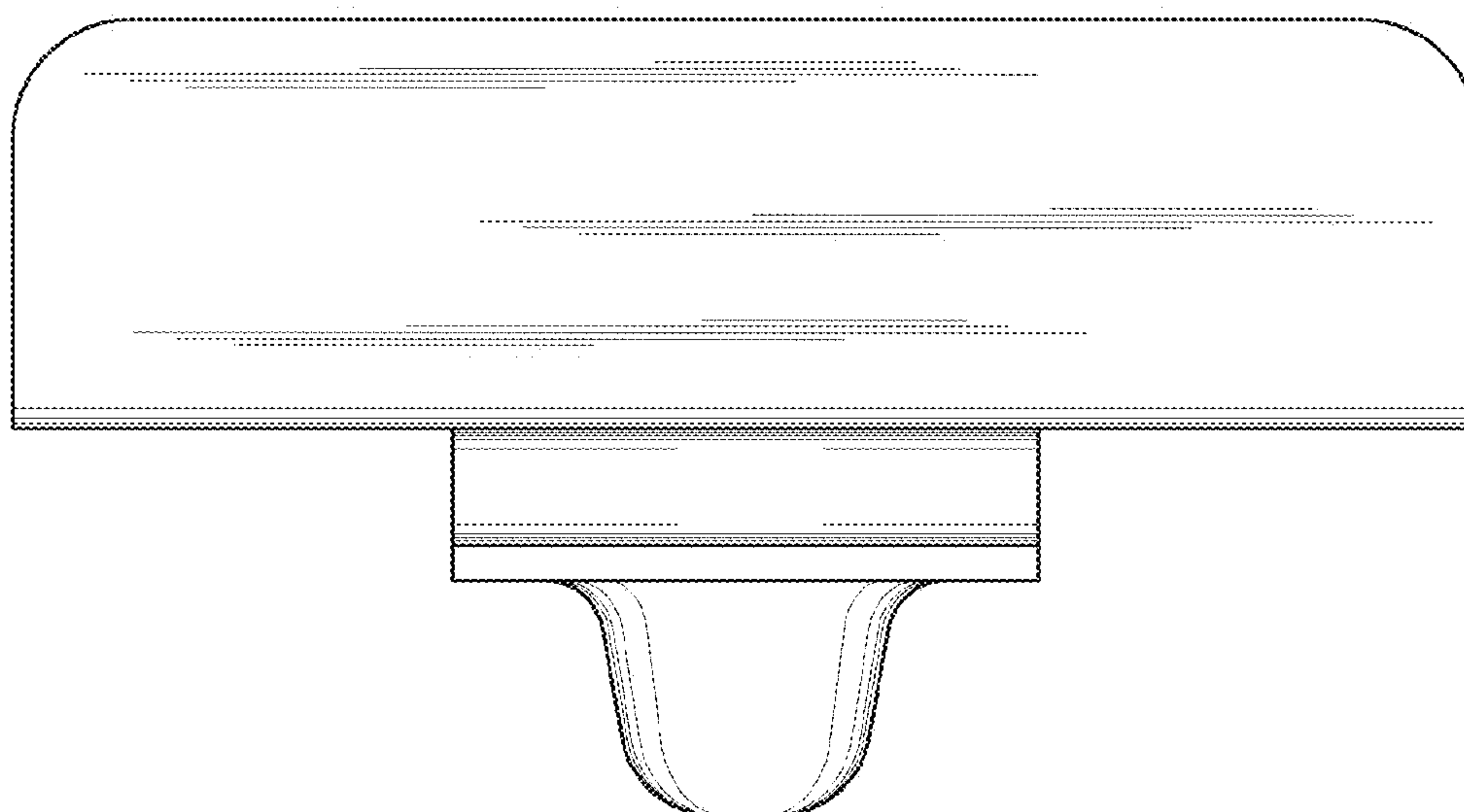


FIG. 3

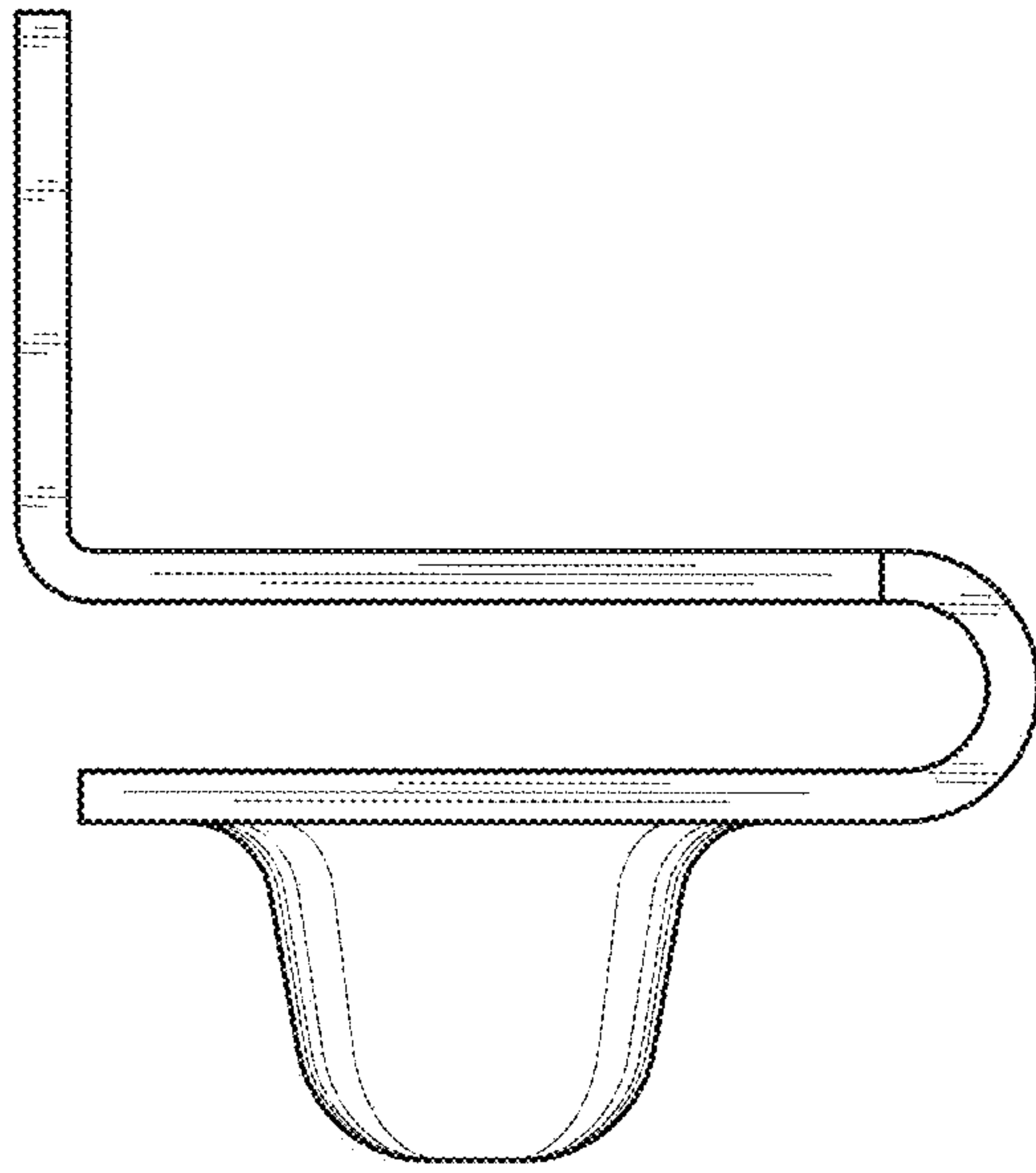


FIG. 4

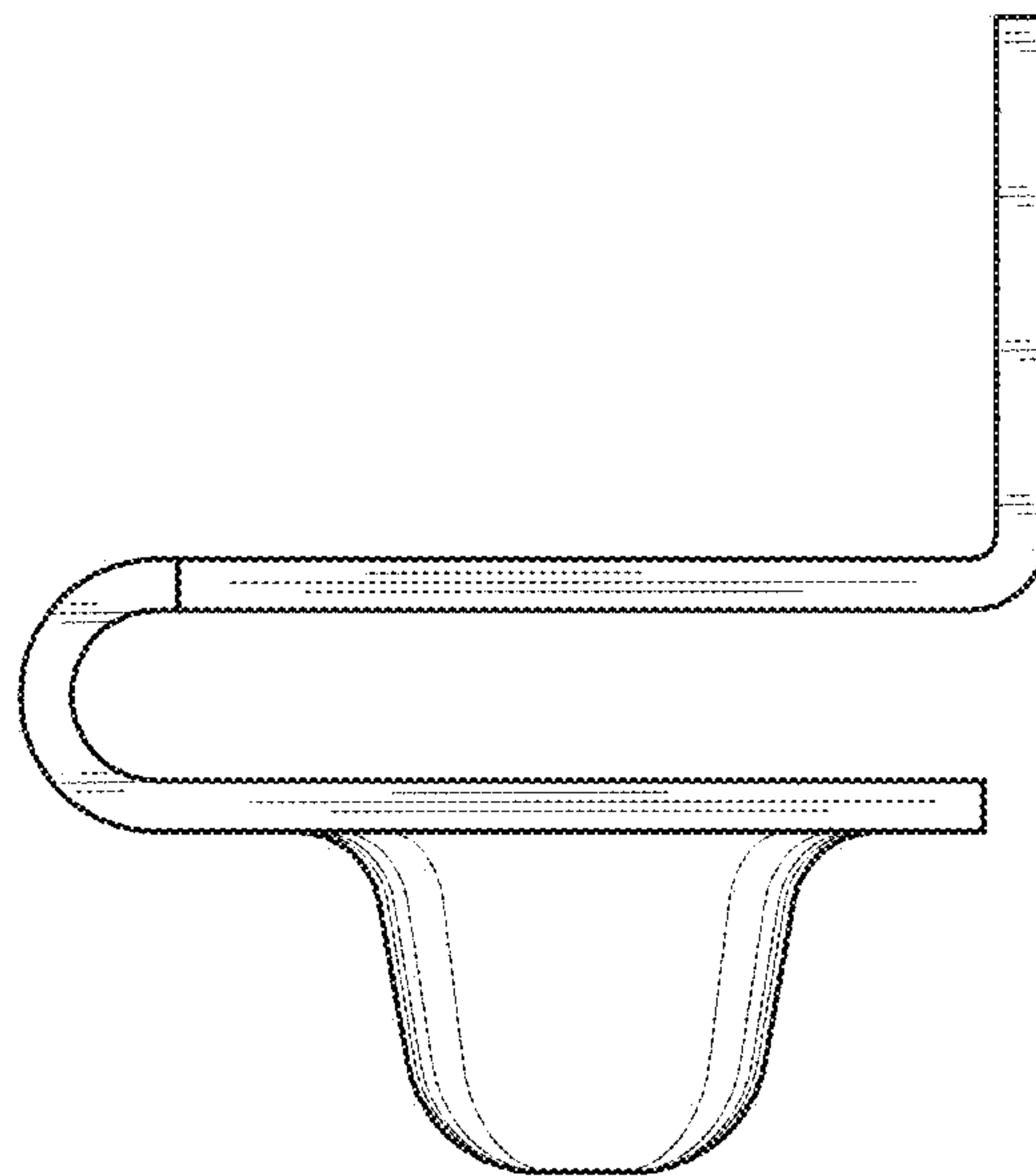


FIG. 5

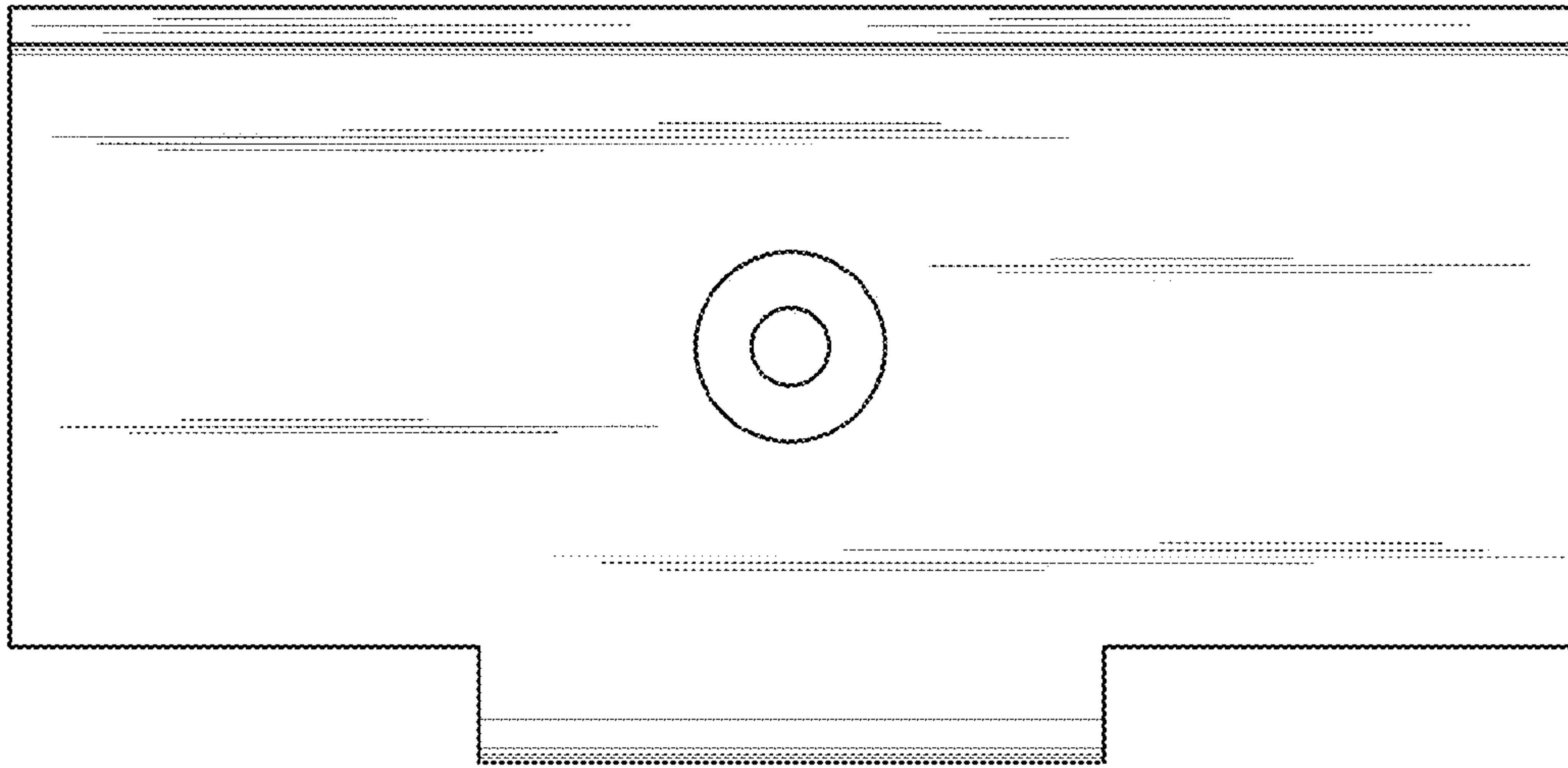


FIG. 6

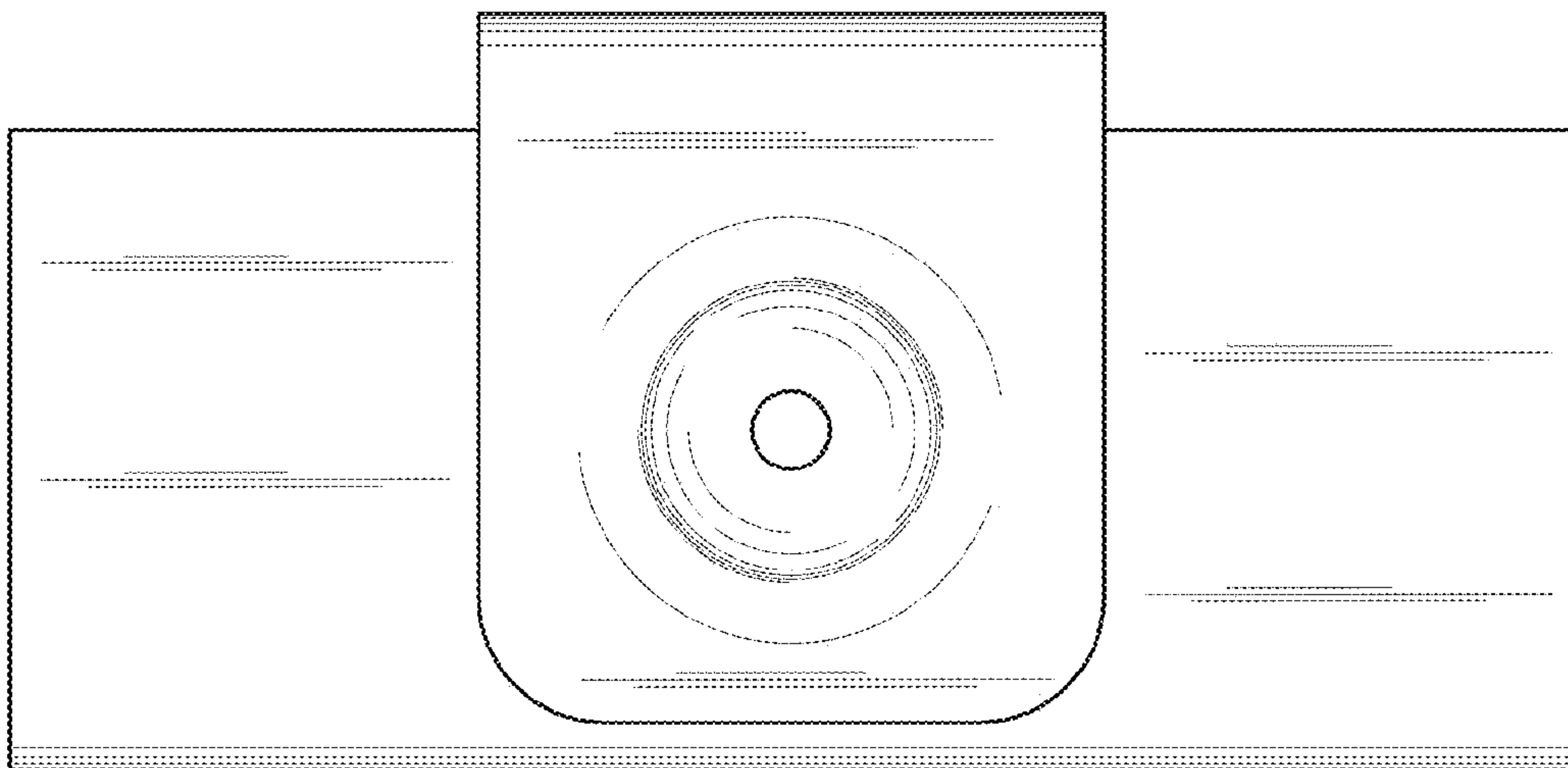


FIG. 7

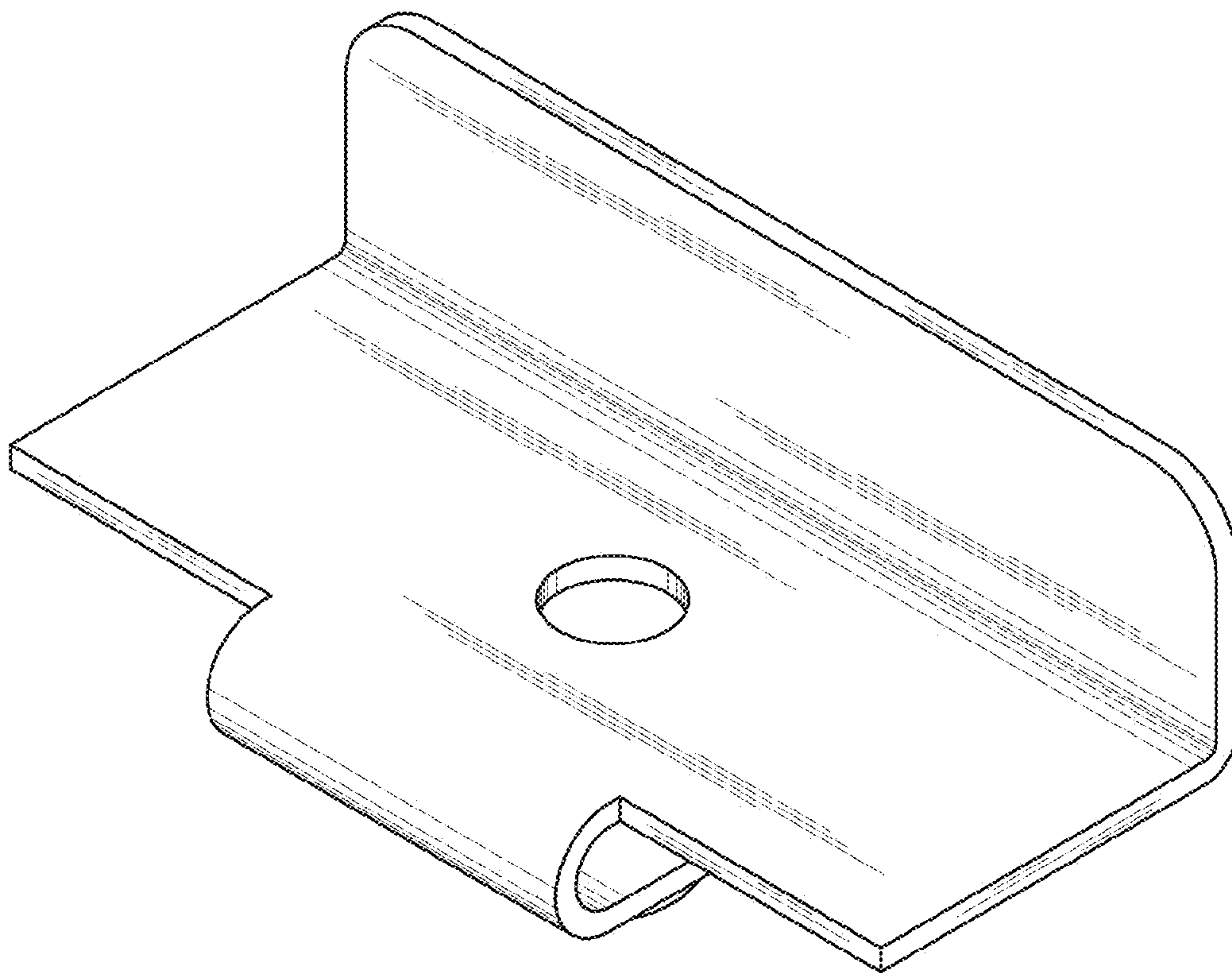


FIG. 8