



US00D730160S

(12) **United States Design Patent**
Rothbaum et al.

(10) **Patent No.:** **US D730,160 S**
(45) **Date of Patent:** **** May 26, 2015**

(54) **CLIP FOR A CORD MANAGEMENT SYSTEM**

(71) Applicant: **CJD LLC**, New York, NY (US)

(72) Inventors: **Wayne Philip Rothbaum**, New York, NY (US); **Allison S. Conner**, Brooklyn, NY (US); **Robert B. Curtis**, New York, NY (US); **Jonas K. Damon**, New York, NY (US); **Daniel A. Sanchez**, Brooklyn, NY (US)

(73) Assignee: **CJD LLC**, New York, NY (US)

(**) Term: **14 Years**

(21) Appl. No.: **29/485,515**

(22) Filed: **Mar. 19, 2014**

Related U.S. Application Data

(63) Continuation of application No. 29/443,389, filed on Jan. 16, 2013, now Pat. No. Des. 702,535, which is a continuation of application No. 29/401,360, filed on Sep. 11, 2011, now Pat. No. Des. 675,903.

(51) **LOC (10) Cl.** **08-05**

(52) **U.S. Cl.**
USPC **D8/356**

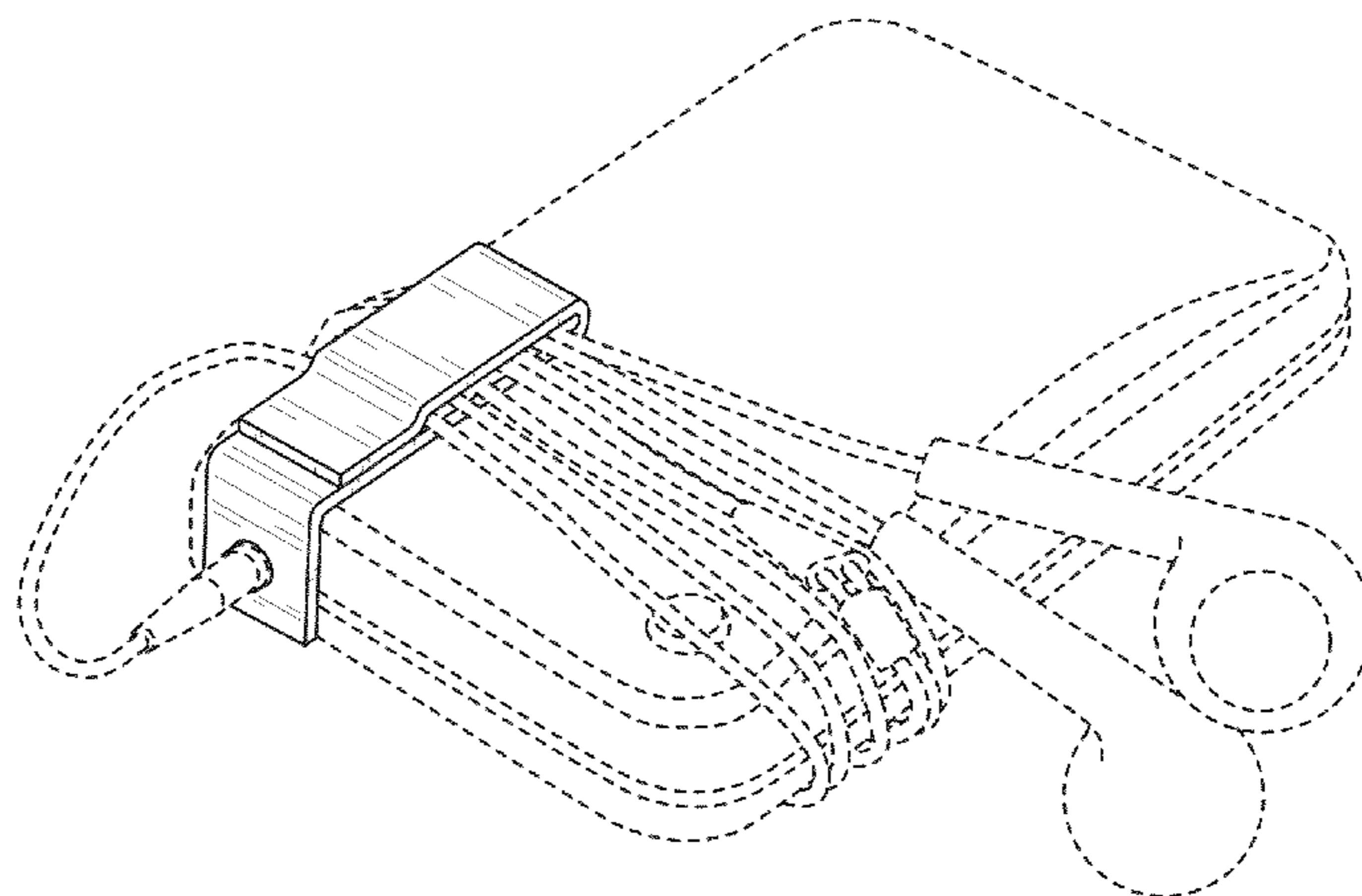
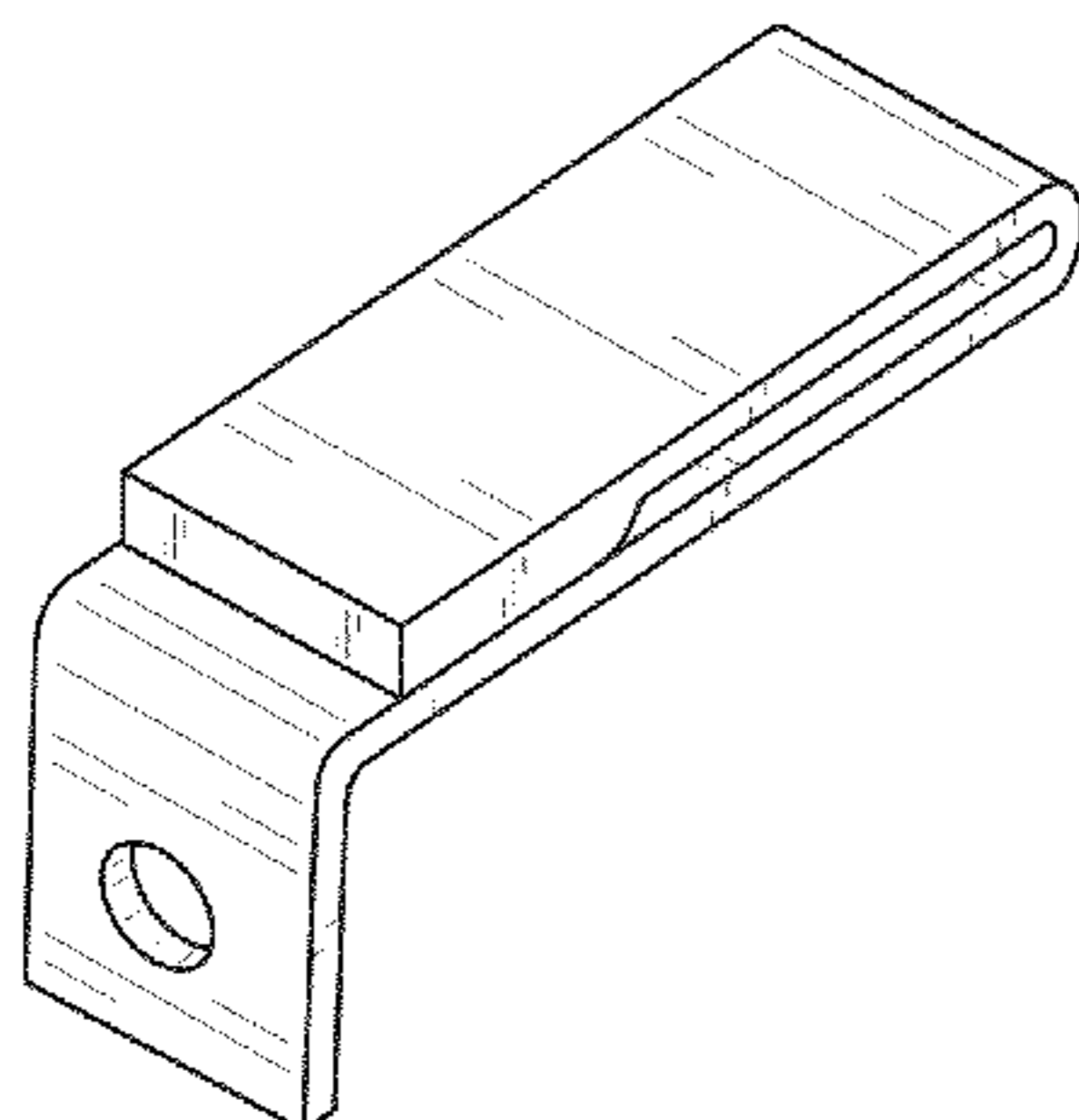
(58) **Field of Classification Search**
USPC D8/356, 354, 349; 220/575;
206/521.15; 24/302, 16 R, 306, 17 R;
439/501; 381/374; D14/217, 205
See application file for complete search history.

(56) **References Cited**

U.S. PATENT DOCUMENTS

D39,960 S	5/1909	Mussillon
1,544,386 A	6/1925	Fridolph
1,675,421 A	7/1928	Pettee et al.
1,722,498 A	7/1929	Fridolph
2,373,328 A	6/1943	Morehouse
2,826,796 A	3/1956	Davis
2,880,008 A	2/1957	Stoner
2,929,596 A	3/1960	Ewing
3,041,697 A	8/1960	Budreck

2,965,939 A	12/1960	Olsson	
D206,401 S	12/1966	Fisher	
3,529,328 A	9/1970	Davison	
D224,960 S	10/1972	Wilson	
3,919,740 A	11/1975	Scherb	
3,994,048 A	11/1976	Rosenthal	
D259,242 S *	5/1981	Gilb	D8/373
4,815,172 A	3/1989	Ward	
4,920,235 A	4/1990	Yamaguchi	
4,940,427 A	7/1990	Pearson	
4,957,232 A	9/1990	Sprague	
5,048,158 A	9/1991	Koerner	
5,086,543 A	2/1992	Mitchell	
5,130,899 A	7/1992	Larkin et al.	
5,136,759 A	8/1992	Armour, II	
5,142,743 A	9/1992	Hahn	
5,168,603 A	12/1992	Reed	
5,185,499 A	2/1993	Yahraus	
5,274,889 A	1/1994	Morita	
D353,990 S	1/1995	Alfreds	
5,392,497 A	2/1995	Defner	
D357,739 S	4/1995	Stewart et al.	
5,402,971 A	4/1995	Bower	
5,517,838 A	5/1996	Moore	
5,518,214 A	5/1996	Spencer	
5,572,773 A	11/1996	Bauer	
5,584,452 A	12/1996	Koike	
5,586,760 A	12/1996	Hauter	
5,595,014 A	1/1997	Moore	
5,604,961 A	2/1997	Cole	
D381,023 S	7/1997	Accardo	
D381,888 S	8/1997	Gonda et al.	
D384,669 S	10/1997	Collier	
5,682,653 A	11/1997	Berglof et al.	
D390,447 S	2/1998	Colen, Jr.	
5,722,126 A	3/1998	Reiter	
5,732,445 A	3/1998	Stodolka et al.	
5,745,958 A	5/1998	Kaldor	
5,802,676 A	9/1998	Tolan	
5,806,346 A	9/1998	Schlinger et al.	
D401,137 S	11/1998	Boelling	
5,845,374 A	12/1998	Briggs	
D405,352 S	2/1999	Rosenbauer	
6,044,525 A	4/2000	Sastre et al.	
6,085,393 A	7/2000	Tsui et al.	
6,087,594 A	7/2000	Chou	
6,131,200 A	10/2000	McNamara	
6,279,804 B1	8/2001	Gregg	
6,301,754 B1	10/2001	Grunberger et al.	
6,317,933 B1 *	11/2001	Suenaga	24/16 R
6,344,021 B1	2/2002	Juster et al.	
D454,235 S	3/2002	Kaplan	
6,427,290 B1	8/2002	Liu	



6,467,132 B1 10/2002 Robley
 6,474,520 B1 11/2002 Finkelstein
 6,490,767 B2 12/2002 Haiduk
 6,499,199 B2 12/2002 Frazier
 6,581,885 B2 6/2003 Polad
 6,588,074 B2 7/2003 Galkiewicz et al.
 6,676,674 B1 * 1/2004 Dudai 606/151
 6,701,580 B1 3/2004 Bandyopadhyay
 D488,374 S 4/2004 Hussaini et al.
 D491,046 S 6/2004 Johnson
 6,763,554 B1 7/2004 Torrey et al.
 D495,972 S 9/2004 Pettingill
 6,880,270 B2 4/2005 Prather
 D505,785 S 6/2005 Woody
 6,992,253 B1 1/2006 Spellman et al.
 7,025,509 B2 4/2006 Martin
 7,039,958 B2 5/2006 Henricksen
 7,080,430 B2 7/2006 Wemmer
 7,096,544 B2 8/2006 Lusardi
 7,213,278 B2 5/2007 Peterson et al.
 D543,833 S 6/2007 Folk et al.
 7,334,354 B2 * 2/2008 Foxen et al. 36/89
 D566,526 S 4/2008 Robbins, III et al.
 D567,630 S 4/2008 Brassard
 D567,631 S 4/2008 Brassard
 7,356,888 B2 * 4/2008 Chao et al. 24/442
 D572,156 S 7/2008 Payne
 D580,257 S 11/2008 Squyres
 7,448,689 B2 11/2008 Carter et al.
 7,516,591 B2 4/2009 Wolner et al.
 7,543,359 B2 6/2009 Moughelbay et al.
 D599,196 S 9/2009 Ruffin et al.
 7,624,480 B2 * 12/2009 Coronel 24/306
 D611,317 S 3/2010 McGrath et al.
 D613,137 S 4/2010 Wieberdink et al.
 7,712,696 B2 5/2010 Loh
 7,731,069 B2 6/2010 Lopreiato
 D619,883 S 7/2010 Hansort
 D619,884 S 7/2010 Hansort
 D624,378 S 9/2010 Wysopal
 7,793,892 B1 * 9/2010 Bowen et al. 248/49
 D625,579 S 10/2010 Lee et al.
 D631,327 S 1/2011 Maraia
 D631,328 S 1/2011 Chen
 7,914,475 B2 * 3/2011 Wyatt et al. 602/21
 D636,659 S 4/2011 Rothbaum et al.
 D639,963 S 6/2011 Kase
 8,002,159 B2 8/2011 Cragg
 D645,333 S 9/2011 Rothbaum et al.
 8,103,352 B2 1/2012 Fried et al.
 D654,052 S 2/2012 Lee et al.
 D660,740 S 5/2012 Cullen et al.
 D662,087 S 6/2012 Peller
 8,203,077 B2 6/2012 Honeycutt et al.
 D664,831 S 8/2012 Scherer
 D666,076 S * 8/2012 Muratore et al. D8/349
 D666,896 S 9/2012 Pinholster, Jr. et al.
 D667,043 S 9/2012 Couch, III
 8,261,416 B2 9/2012 Rothbaum et al.
 D675,123 S 1/2013 Nunez
 D676,425 S 2/2013 Nishimura et al.
 D676,733 S 2/2013 Zach et al.
 8,366,058 B2 2/2013 Tiedemann, Sr.
 D677,652 S 3/2013 Gifford
 8,413,306 B2 4/2013 Gallant et al.
 8,453,899 B1 6/2013 Calkin
 8,458,864 B1 * 6/2013 Patton et al. 24/306
 8,590,823 B2 11/2013 Rothbaum et al.
 D707,831 S * 6/2014 Klutts D24/190
 D710,969 S * 8/2014 Bradford et al. D23/209
 D717,132 S * 11/2014 Van Dyke D7/708
 2001/0013277 A1 * 8/2001 Galkiewicz et al. 100/2
 2001/0035242 A1 11/2001 Hughs et al.
 2002/0033271 A1 3/2002 Fritschle et al.
 2002/0073516 A1 6/2002 Behar
 2002/0078536 A1 * 6/2002 Martin et al. 24/450
 2002/0112323 A1 8/2002 Nire
 2002/0139823 A1 10/2002 Johnson
 2003/0110596 A1 * 6/2003 Graham et al. 24/16 R

2003/0167605 A1 9/2003 Schultz
 2004/0167456 A1 * 8/2004 Kingsford et al. 602/48
 2005/0016760 A1 1/2005 Vasichek
 2005/0025329 A1 2/2005 Lee
 2005/0255898 A1 11/2005 Huang
 2006/0008106 A1 1/2006 Harper
 2006/0032032 A1 * 2/2006 Cheng 24/306
 2006/0121962 A1 6/2006 Kohli
 2006/0178041 A1 8/2006 Lund et al.
 2006/0186150 A1 8/2006 Willows et al.
 2006/0206986 A1 9/2006 Straiton
 2007/0086617 A1 4/2007 Loh
 2007/0152008 A1 7/2007 Case
 2008/0041897 A1 2/2008 Malhotra
 2008/0083096 A1 4/2008 Wilkinson
 2008/0149679 A1 6/2008 Case et al.
 2008/0164157 A1 7/2008 Sween et al.
 2009/0013504 A1 1/2009 Crespo
 2009/0016559 A1 1/2009 Cleary
 2009/0314515 A1 12/2009 Bevirt et al.

FOREIGN PATENT DOCUMENTS

CN 201352845 Y 11/2009
 GB 2420552 A 5/2006
 JP 63-125493 U 8/1988
 JP 11-317995 A 11/1999
 JP 2001-169381 A 6/2001
 JP 2003-230418 A 8/2003
 JP 2003-319484 A 11/2003
 JP 2006-081130 A 3/2006
 JP 2006-222712 A 8/2006
 JP 2009-212918 A 9/2009
 KR 20-0301311 1/2003
 WO WO 2004/71056 A1 8/2004

OTHER PUBLICATIONS

CJD LLC, International Search Report / Written Opinion, PCT/US2010/031087, Apr. 29, 2011, 24 pgs.
 Earbud Clips, Wetjetset.com, Jun. 7, 2010, 3 pgs.
 Headphone cable tidy—pack of 3—accessories for PDA, smartphone . . . , Jun. 7, 2010, 2 pgs.
 Quogue Capital LLC, ISR/WO, PCT/US2009/067927, Jul. 14, 2010, 8 pgs.
 Rothbaum, International Search Report / Written Opinion, PCT/US2010/053244, Jun. 24, 2011, 24 pgs.
 Rothbaum, Notice of Allowance, U.S. Appl. No. 29/443,386, Feb. 26, 2014, 7 pgs.
 Rothbaum, Notice of Allowance, U.S. Appl. No. 29/368,746, Dec. 29, 2010, 8 pgs.
 Rothbaum, Notice of Allowance, U.S. Appl. No. 29/368,755, May 15, 2012, 8 pgs.
 Rothbaum, Notice of Allowance, U.S. Appl. No. 29/388,372, Jul. 14, 2011, 5 pgs.
 Rothbaum, Notice of Allowance, U.S. Appl. No. 29/401,359, Nov. 15, 2012, 7 pgs.
 Rothbaum, Notice of Allowance, U.S. Appl. No. 29/401,359, Mar. 22, 2013, 12 pgs.
 Rothbaum, Notice of Allowance, U.S. Appl. No. 29/401,360, Sep. 28, 2012, 5 pgs.
 Rothbaum, Notice of Allowance, U.S. Appl. No. 29/401,643, Sep. 18, 2012, 8 pgs.
 Rothbaum, Notice of Allowance, U.S. Appl. No. 29/401,930, Nov. 23, 2012, 7 pgs.
 Rothbaum, Notice of Allowance, U.S. Appl. No. 29/428,997, Feb. 27, 2013, 7 pgs.
 Rothbaum, Notice of Allowance, U.S. Appl. No. 29/443,386, Aug. 6, 2013, 6 pgs.
 Rothbaum, Notice of Allowance, U.S. Appl. No. 29/443,386, Nov. 14, 2013, 9 pgs.
 Rothbaum, Notice of Allowance, U.S. Appl. No. 29/443,387, May 24, 2013, 8 pgs.
 Rothbaum, Notice of Allowance, U.S. Appl. No. 29/443,389, Aug. 6, 2013, 6 pgs.

Rothbaum, Notice of Allowance, U.S. Appl. No. 29/443,389, Nov. 14, 2013, 8 pgs.

Rothbaum, Notice of Allowance, U.S. Appl. No. 29/444,911, Jan. 15, 2014, 6 pgs.

Rothbaum, Notice of Allowance, U.S. Appl. No. 29/444,911, Sep. 25, 2013, 8 pgs.

Rothbaum, Notice of Allowance, U.S. Appl. No. 29/465,282, Feb. 14, 2014, 7 pgs.

Rothbaum, Notice of Allowance, U.S. Appl. No. 29/465,282, Oct. 25, 2013, 8 pgs.

Rothbaum, Office Action, U.S. Appl. No. 29/368,754, Jul. 19, 2011, 5 pgs.

Sumajin smartwrap earphone cord manager, www.ilounge.com, Jun. 7, 2010, 3 pgs.

Use magnetic paper clips to keep cords from tangling, Jun. 7, 2010, 5 pgs.

* cited by examiner

Primary Examiner — Cynthia Underwood

(74) *Attorney, Agent, or Firm* — Morgan, Lewis & Bockius LLP

(57) **CLAIM**

The ornamental design for a clip for a cord management system, as shown and described.

DESCRIPTION

The present application relates to the following Patents and Applications:

to U.S. utility patent application Ser. No. 12/761,326, filed Apr. 15, 2010, (now abandoned),

to U.S. design patent application Ser. No. 29/368,746, filed Aug. 27, 2010 (now U.S. Pat. No. D636,659),

to U.S. design patent application Ser. No. 29/368,755, filed Aug. 27, 2010, (now U.S. Pat. No. D667,291),

to U.S. design application Ser. No. 29/388,372, filed Mar. 28, 2011, (now U.S. Pat. No. D645,332),

to U.S. design application Ser. No. 29/401,643, filed Sep. 11, 2011,

to U.S. design application Ser. No. 29/401,359, filed Sep. 11, 2011, and

to U.S. design application Ser. No. 29/401,930, filed Sep. 16, 2011.

FIG. 1 is a perspective view of an embodiment of our new design of a clip for a cord management system.

FIG. 2 is a view of a first side of the embodiment of FIG. 1.

FIG. 3 is a view of a second side of the embodiment of FIG. 1.

FIG. 4 is a view of a third side of the embodiment of FIG. 1.

FIG. 5 is a view of a fourth side of the embodiment of FIG. 1.

FIG. 6 is a view of a fifth side of the embodiment of FIG. 1.

FIG. 7 is a view of a sixth side of the embodiment of FIG. 1.

FIG. 8 is another perspective view of the embodiment of FIG. 1

provided for illustrative purposes, the perspective view illustrating the embodiment when used in conjunction with an object.

FIG. 9 is another embodiment of our new design of a clip for a cord management system, the only difference between this embodiment and the embodiment of FIG. 1 being the specific shape of the cord retention portion, it being understood that all other portions of the clip are the same as those of the embodiment of FIG. 1; and,

FIG. 10 is another embodiment of our new design of a clip for a cord management system, the only difference between this embodiment and the embodiment of FIG. 1 being the specific shape of the cord retention portion, it being understood that all other portions of the clip are the same as those of the embodiment of FIG. 1.

The broken lines represent environment and form no part of the claim.

1 Claim, 7 Drawing Sheets

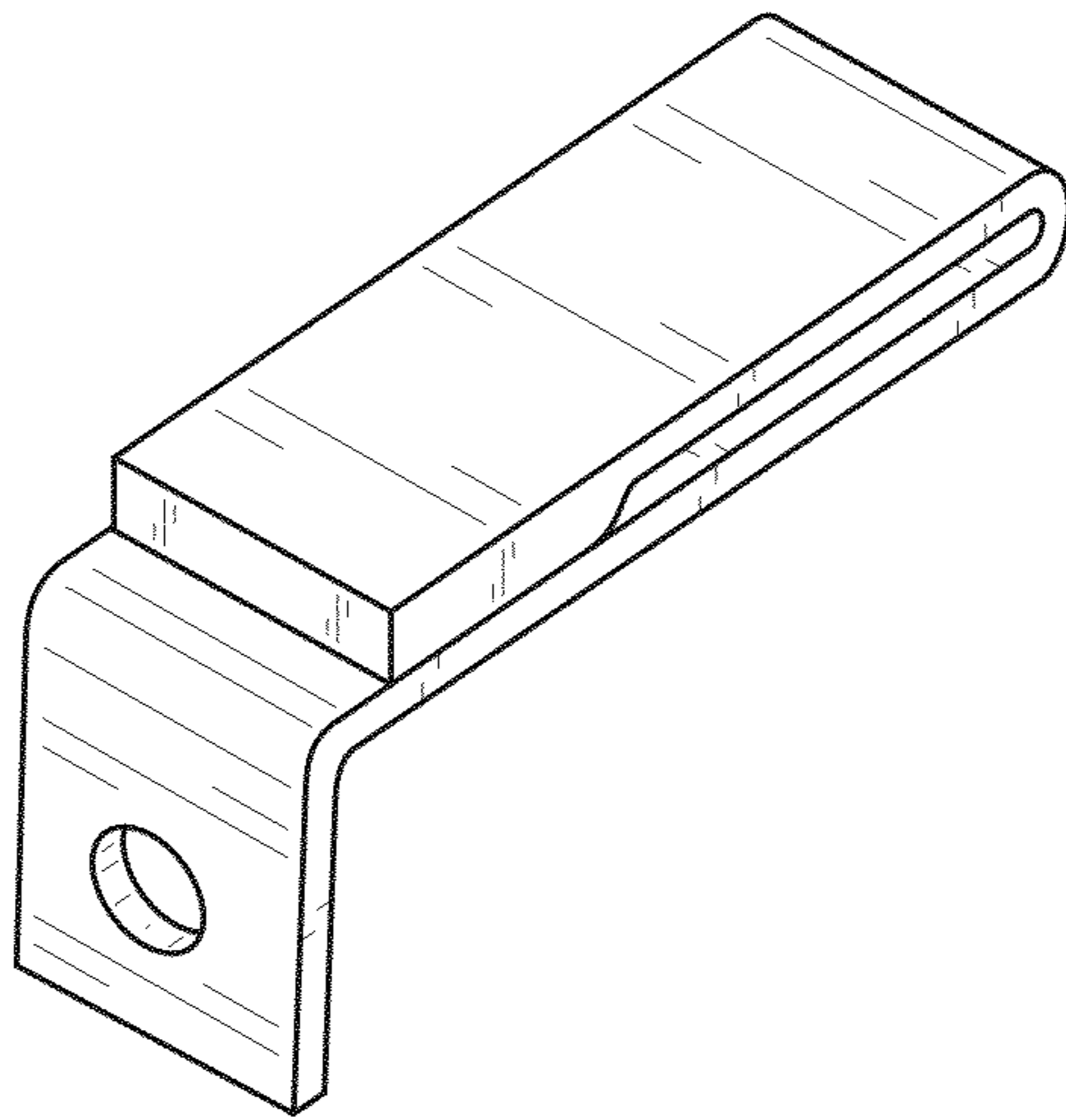


FIG. 1

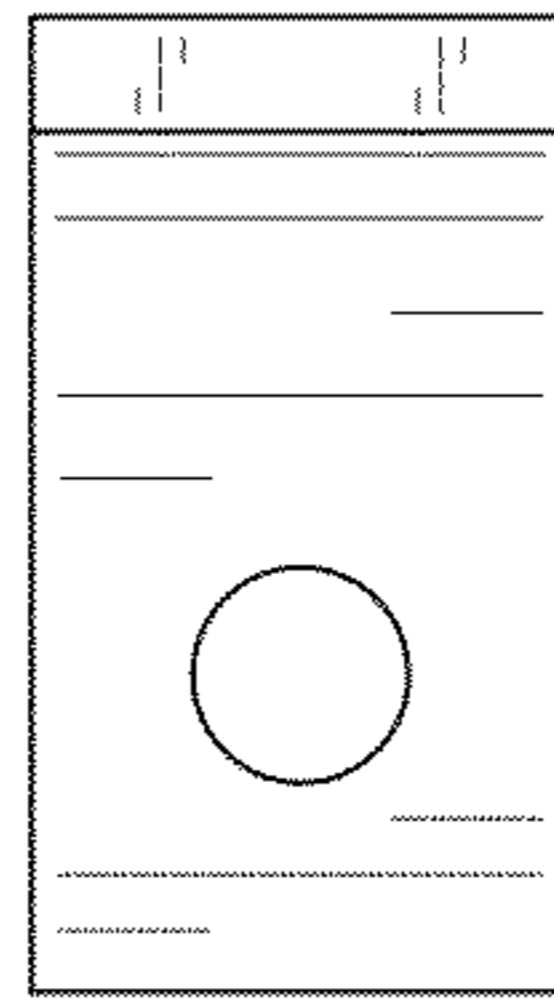


FIG. 2

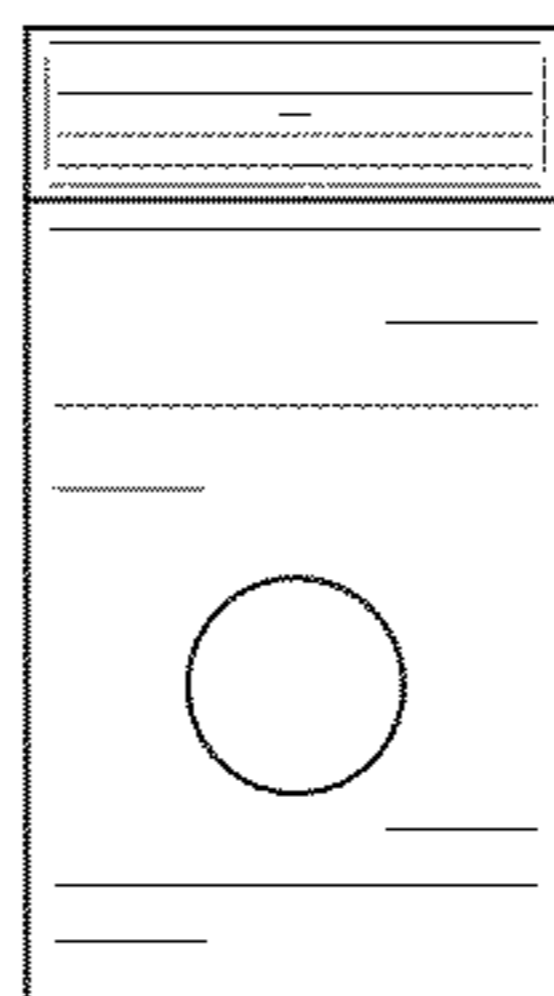


FIG. 3

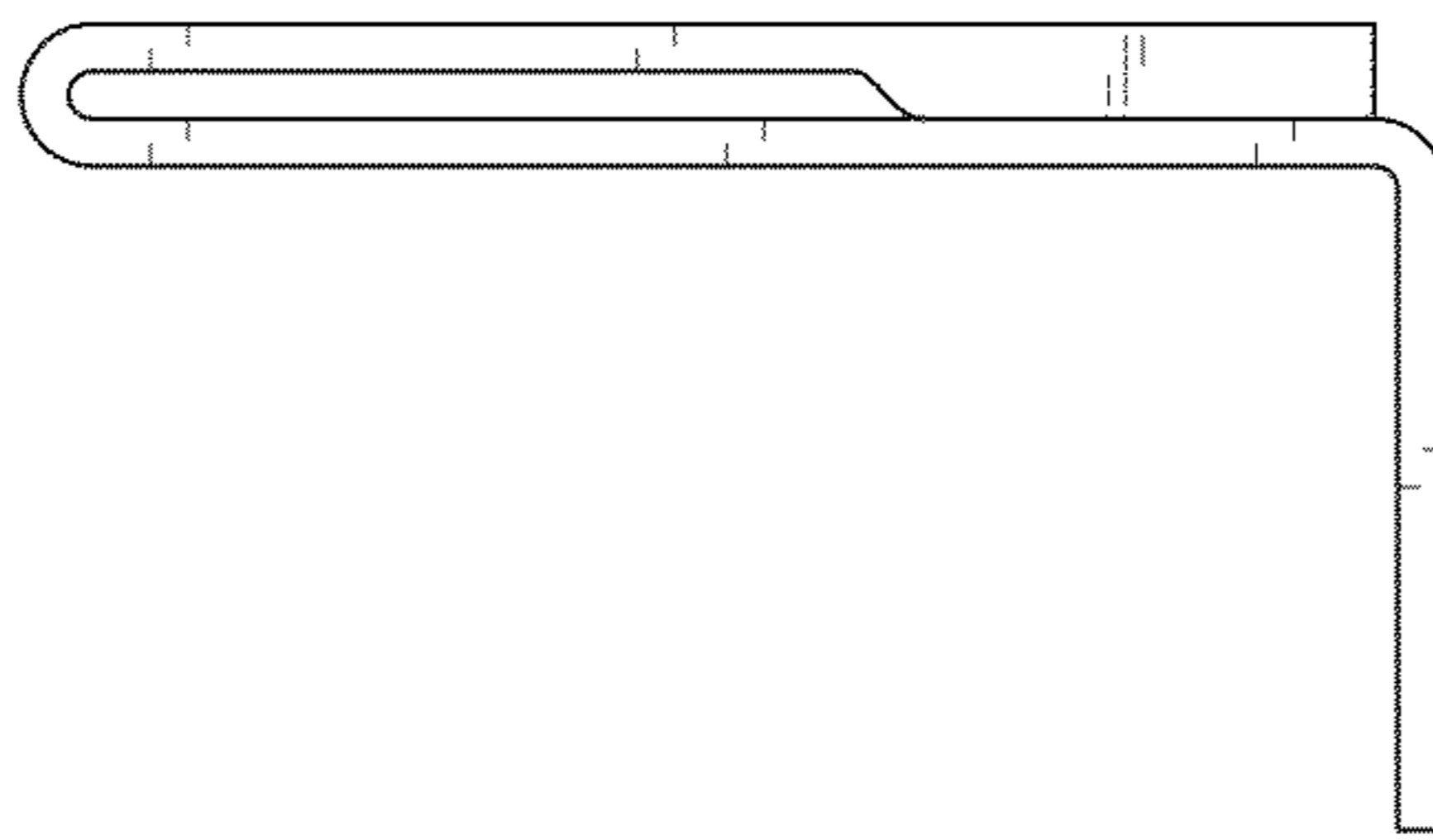


FIG. 4

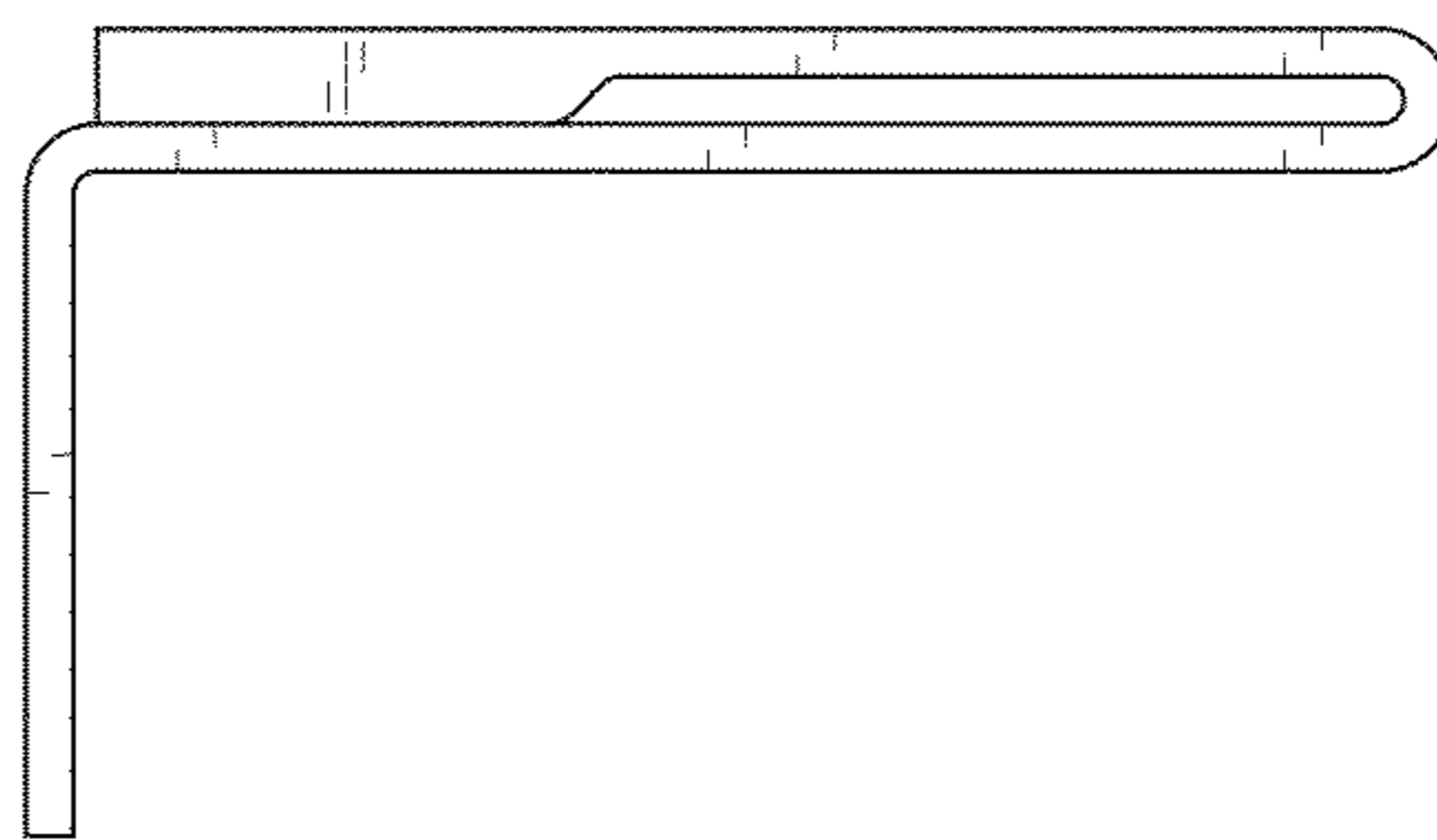


FIG. 5

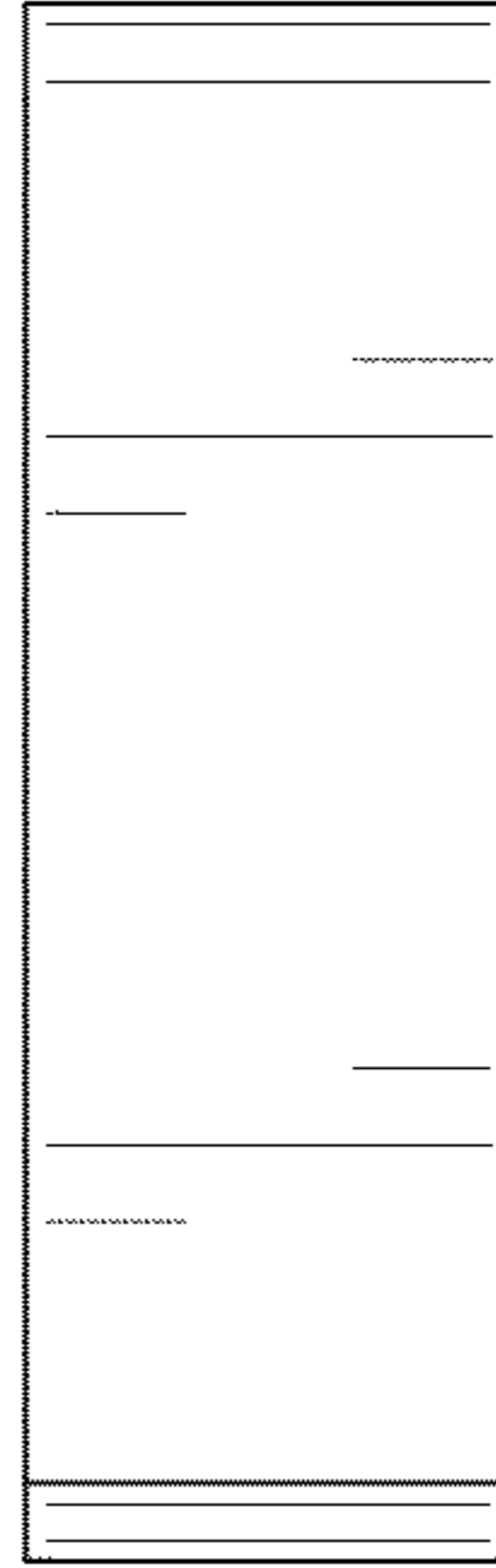


FIG. 6

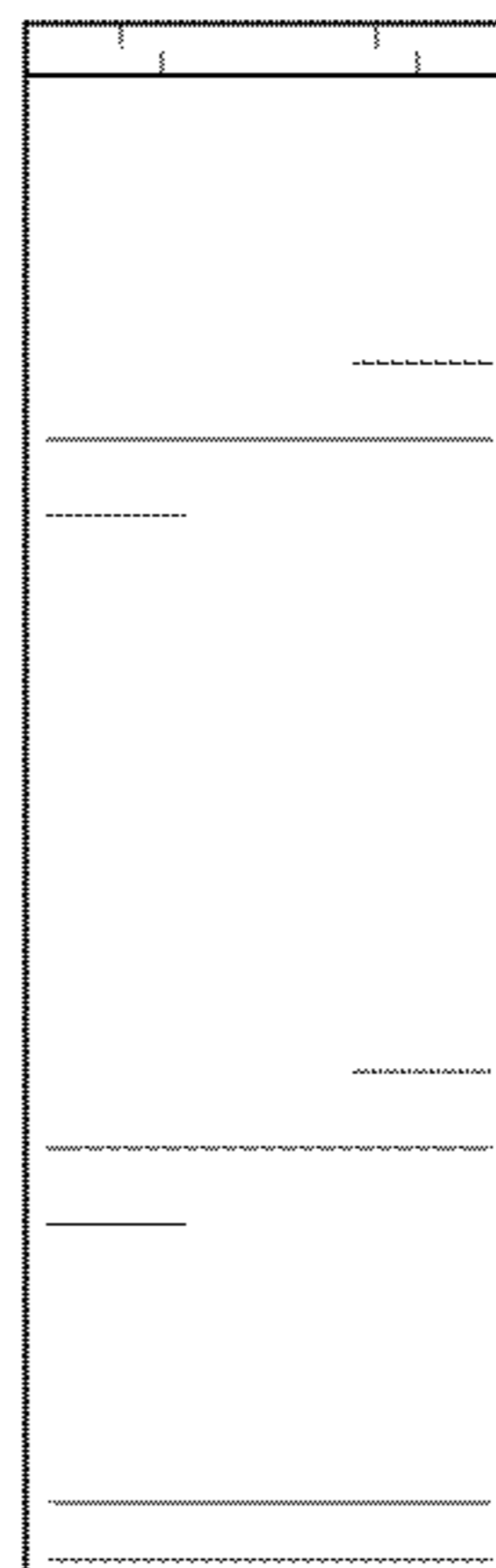


FIG. 7

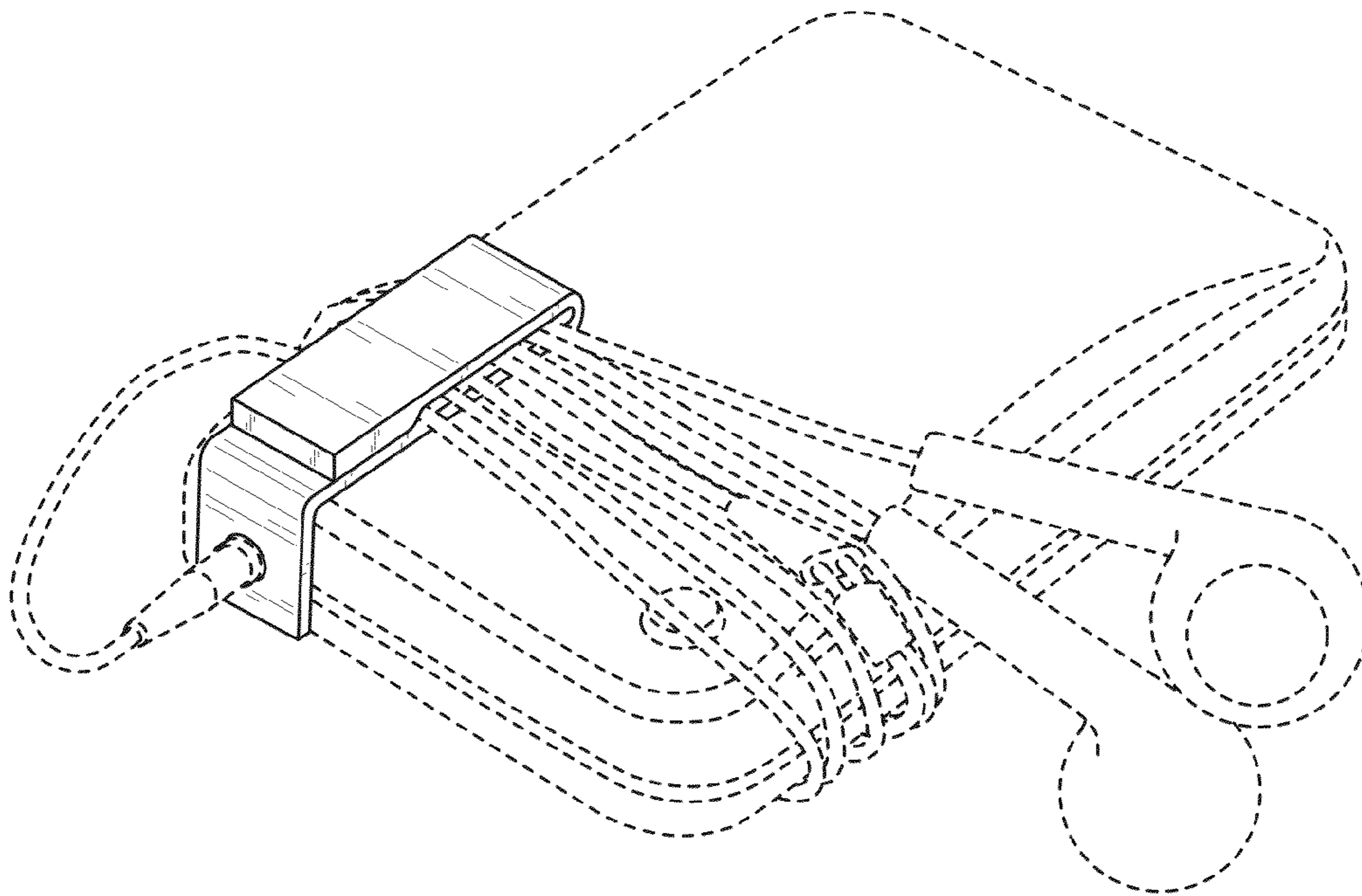


FIG. 8

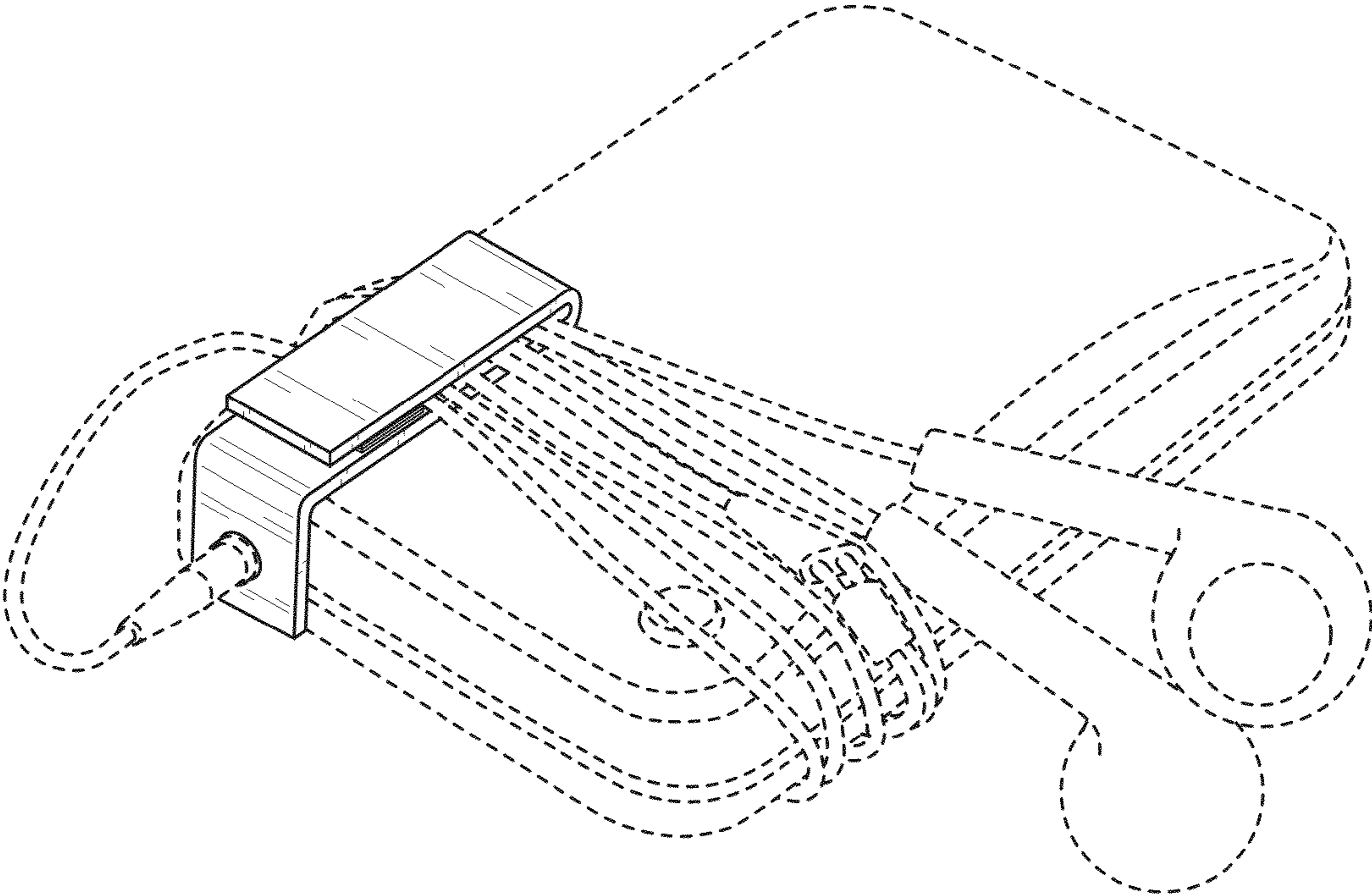


FIG. 9

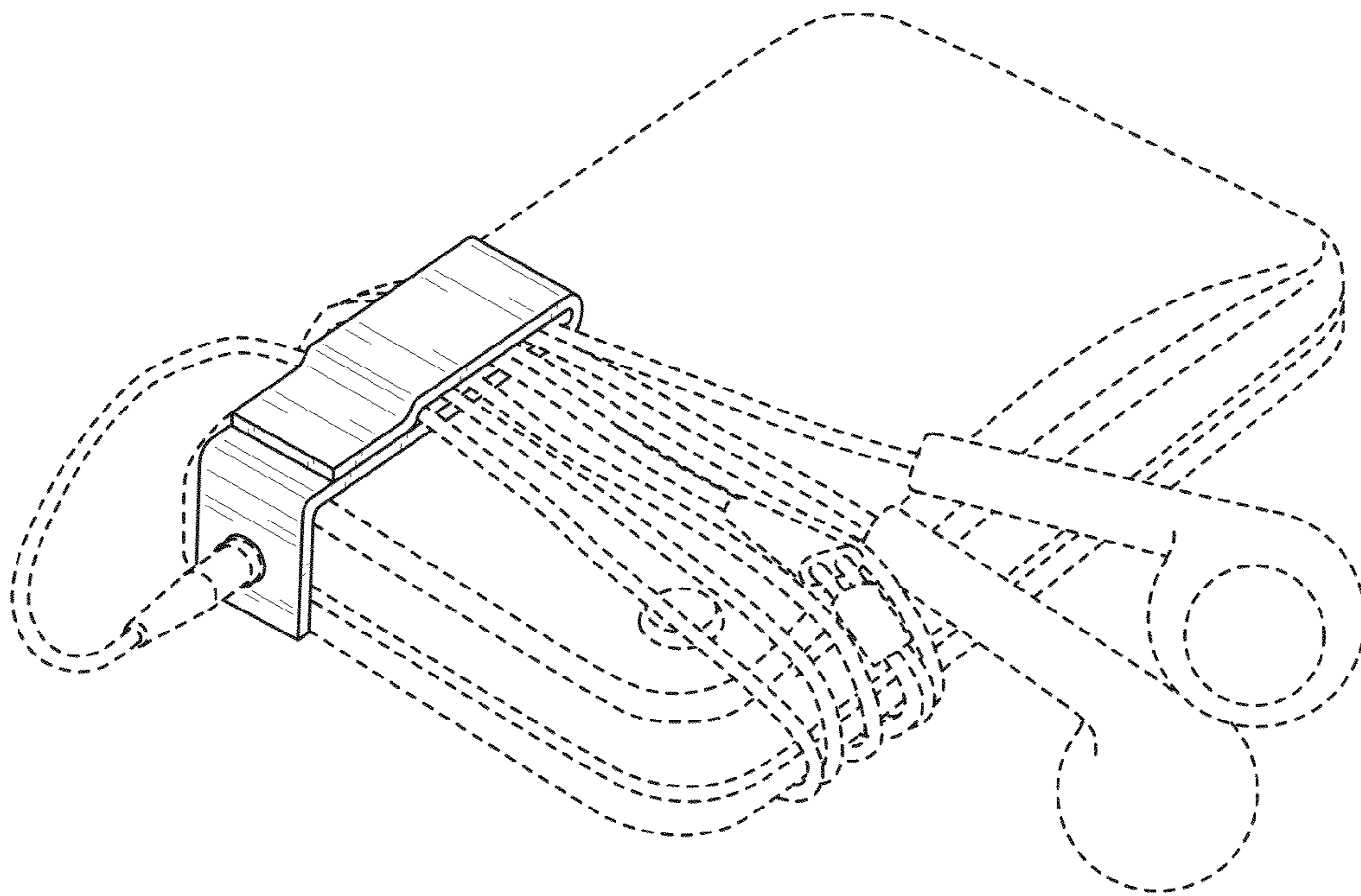


FIG. 10