



US00D730157S

(12) **United States Design Patent**
Buchman

(10) **Patent No.:** **US D730,157 S**

(45) **Date of Patent:** **** May 26, 2015**

(54) **MODULAR INSULATION ANCHOR**

(75) Inventor: **Randall Loren Buchman**, Broken Arrow, OK (US)

(73) Assignee: **Refractory Anchors, Inc.**, Broken Arrow, OK (US)

(**) Term: **14 Years**

(21) Appl. No.: **29/429,084**

(22) Filed: **Aug. 7, 2012**

(51) **LOC (10) Cl.** **08-05**

(52) **U.S. Cl.**
USPC **D8/349**

(58) **Field of Classification Search**
USPC D8/349, 350, 353, 354, 355, 356, 359, D8/366, 367, 373, 374, 394; 248/56, 58, 248/61, 62, 63, 74.1, 74.2, 74.4; 410/96, 410/101, 106, 109, 113, 116; D11/200, D11/201, 206, 221; 24/381, 399, 405, 415, 24/429, 430, 431; D13/152, 154, 155
See application file for complete search history.

(56) **References Cited**

U.S. PATENT DOCUMENTS

3,889,440	A	*	6/1975	Sutter	52/714
D245,312	S	*	8/1977	Rasmussen et al.	D8/356
D248,367	S	*	7/1978	Haft	D8/356
D272,719	S	*	2/1984	Skjaeveland	D8/394
D276,978	S	*	1/1985	Fee	D8/382
D285,647	S	*	9/1986	Sachs	D8/356
D289,008	S	*	3/1987	Hamel	D8/356
4,805,325	A	*	2/1989	Cassard	40/759
4,850,171	A	*	7/1989	Deren	52/506.02
4,908,915	A	*	3/1990	Ruggles et al.	24/336
D312,205	S	*	11/1990	de Rooij	D8/373
5,353,567	A	*	10/1994	Knight et al.	52/506.03
D353,990	S	*	1/1995	Alfreds	D8/356
D376,805	S	*	12/1996	Johansson	D14/253
5,595,031	A	*	1/1997	Commins	52/264
D425,403	S	*	5/2000	Medina	D8/354
D492,888	S	*	7/2004	Wilson	D8/349

D556,015	S	*	11/2007	Muchnik	D8/354
D573,448	S	*	7/2008	Young, IV	D8/356
D573,873	S	*	7/2008	Wall	D8/354
D576,867	S	*	9/2008	Kretz	D8/356
D580,191	S	*	11/2008	Vieira et al.	D6/411
D599,191	S	*	9/2009	Alexander	D8/354
D621,691	S	*	8/2010	Tezak et al.	D8/349
D632,158	S	*	2/2011	Yang et al.	D8/349
D637,070	S	*	5/2011	Wall	D8/382
D656,391	S	*	3/2012	McClain et al.	D8/382

* cited by examiner

Primary Examiner — Karen S Acker

Assistant Examiner — Bao-Yen Nguyen

(74) *Attorney, Agent, or Firm* — Head, Johnson & Kachigian, P.C.

(57) **CLAIM**

The ornamental design for a modular insulation anchor, as shown and described.

DESCRIPTION

FIG. 1 is a perspective view of a modular insulation anchor showing the claimed design;

FIG. 2 is a side view of a modular insulation anchor as shown in FIG. 1;

FIG. 3 is a top view of a modular insulation anchor as shown in FIG. 1;

FIG. 4 is a bottom view of a modular insulation anchor as shown in FIG. 1;

FIG. 5 is an end view of a modular insulation anchor as shown in FIG. 1;

FIG. 6 is a cross-sectional view along line 6-6 of the modular insulation anchor as shown in FIG. 2; and,

FIG. 7 is a perspective view of a modular insulation anchor as shown in FIG. 1 in use.

The broken lines depict a portion of the modular insulation anchor that forms no part of the claimed design. Further, the broken lines showing a ceramic fiber module in FIG. 7 represent the environment in which the design resides and form no part of the claim.

1 Claim, 3 Drawing Sheets

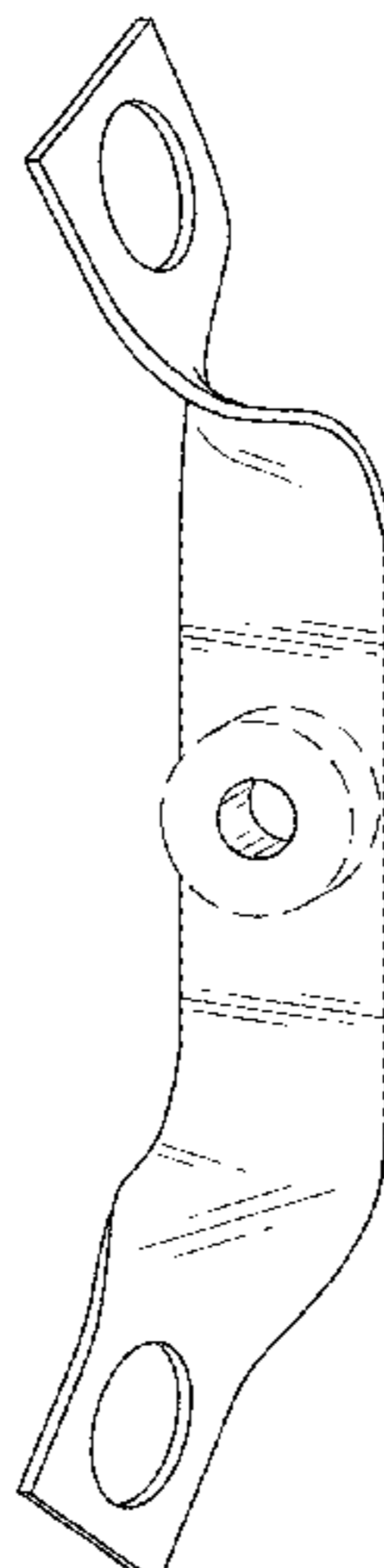


FIG. 1

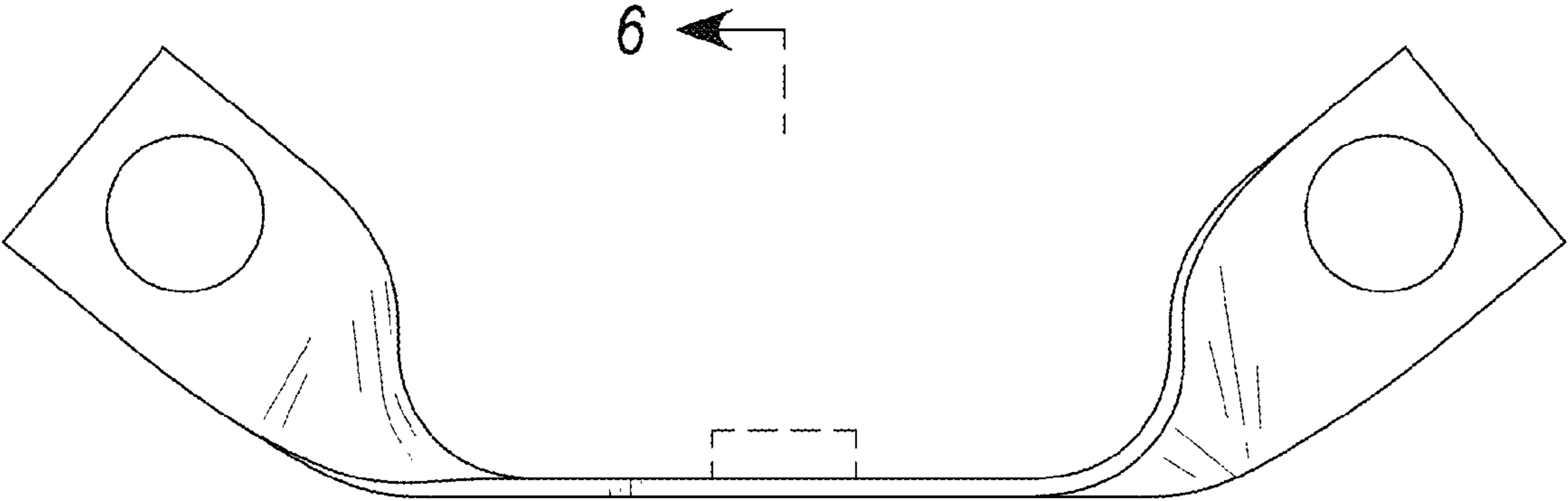
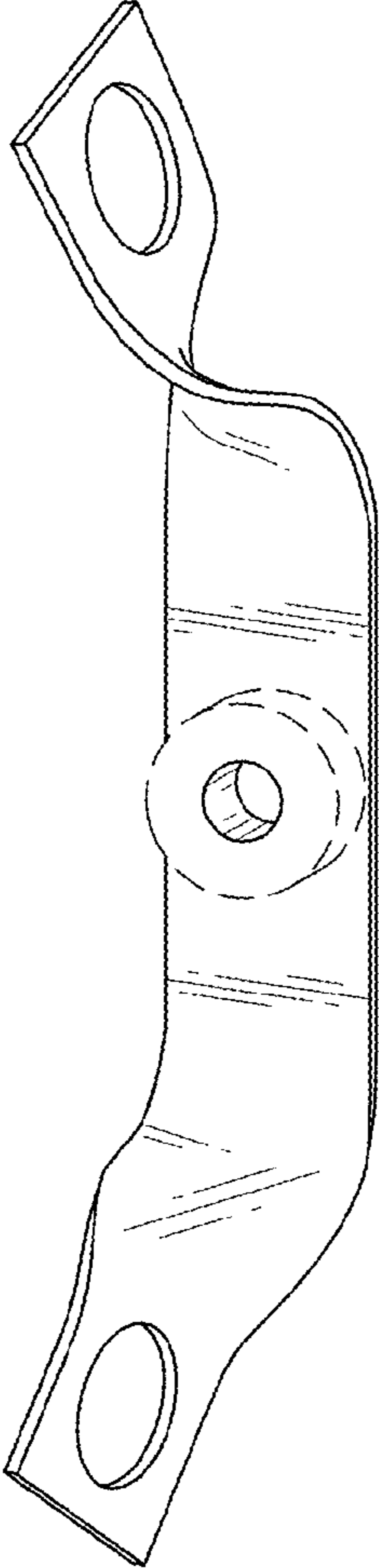


FIG. 2

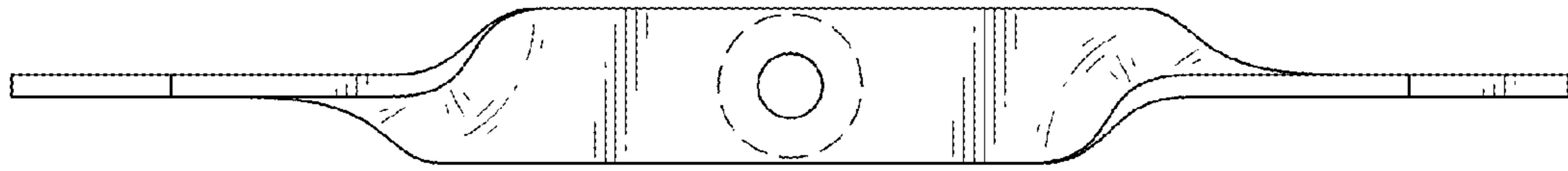


FIG. 3

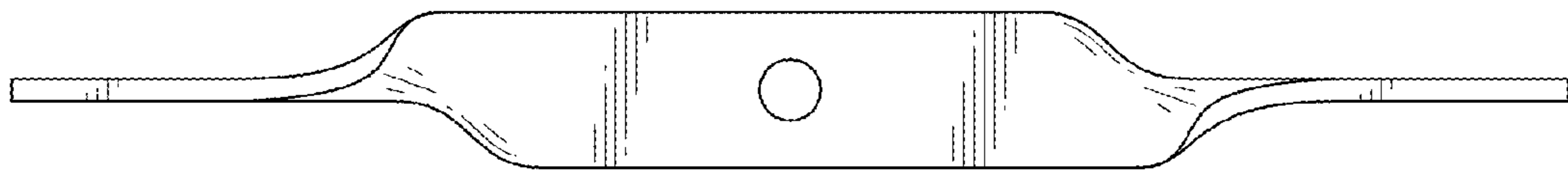


FIG. 4

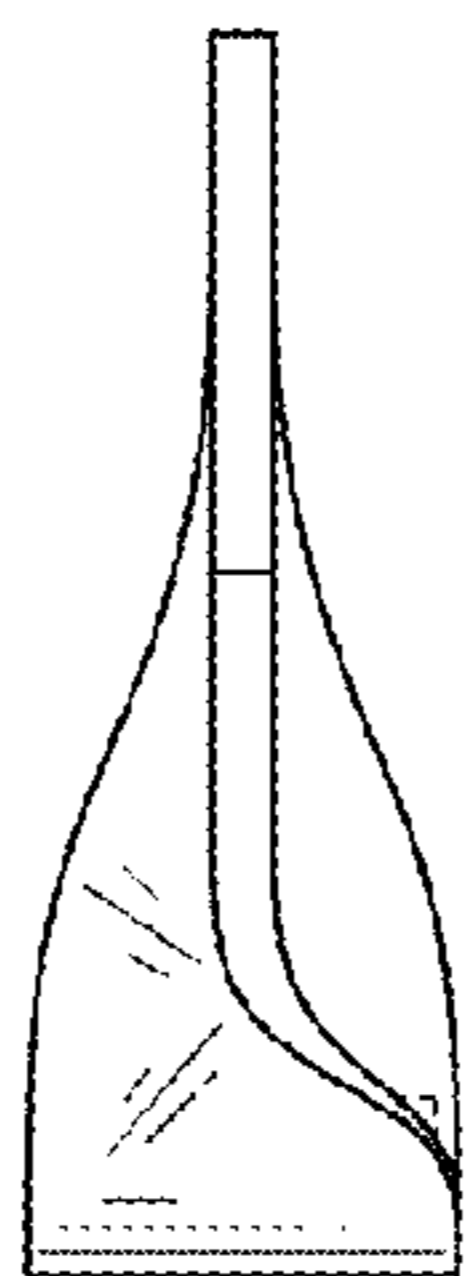


FIG. 5



FIG. 6

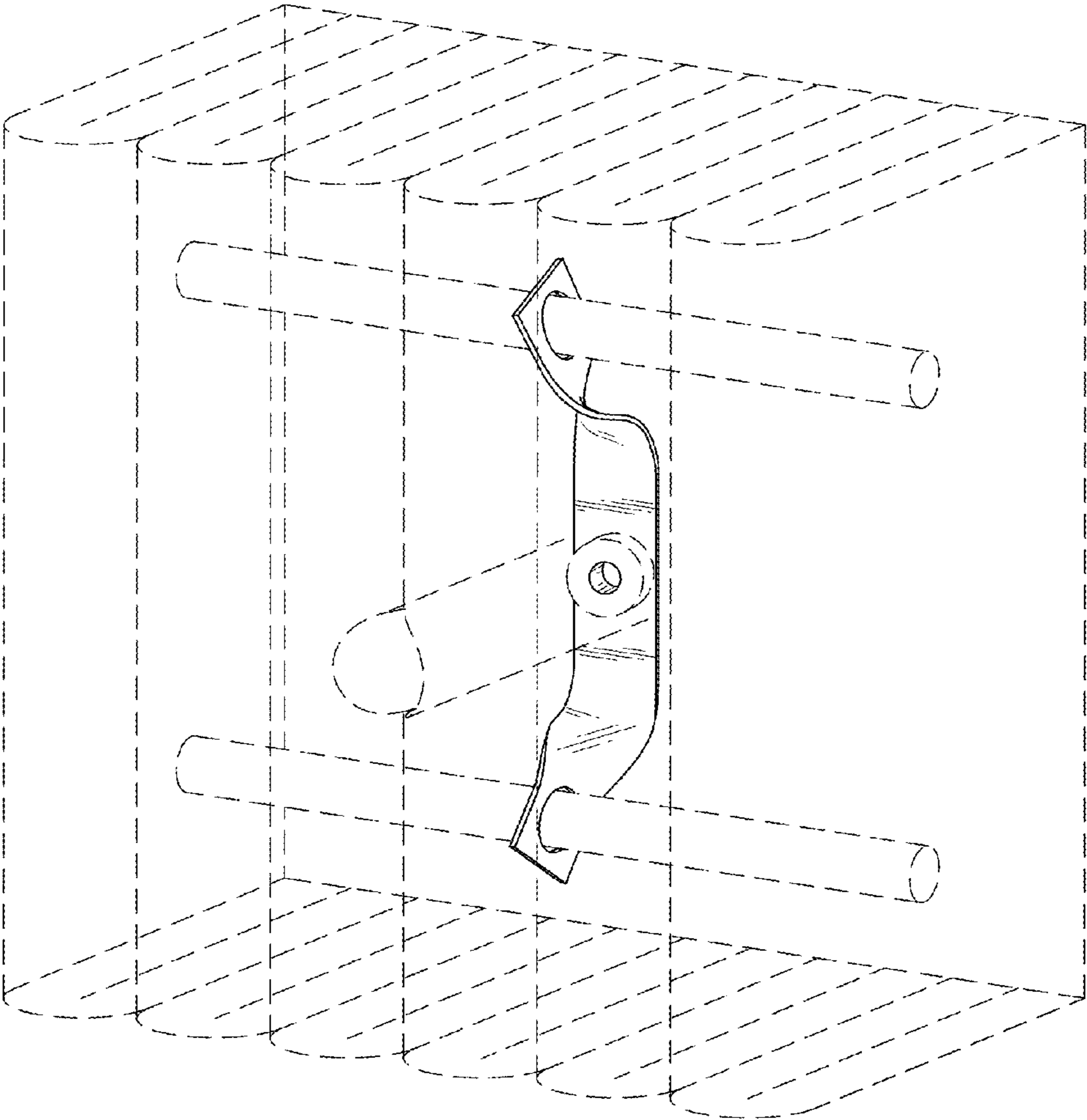


FIG. 7