



US00D730156S

(12) **United States Design Patent**
Johnson et al.

(10) **Patent No.:** **US D730,156 S**
(45) **Date of Patent:** **** May 26, 2015**

- (54) **MOUNTING CLAMP**
- (75) Inventors: **William Dale Johnson**, Inver Grove Heights, MN (US); **David Stephen Warwick**, Mounds View, MN (US)
- (73) Assignee: **THERMO KING CORPORATION**, Minneapolis, MN (US)
- (**) Term: **14 Years**
- (21) Appl. No.: **29/417,908**
- (22) Filed: **Apr. 10, 2012**
- (51) **LOC (10) Cl.** **08-05**
- (52) **U.S. Cl.**
USPC **D8/349; D8/354**
- (58) **Field of Classification Search**
USPC D8/330, 349, 350, 352, 354, 355, 356, D8/363, 367, 382, 383; 248/58, 62, 72, 248/200, 201, 205.1, 207, 214, 229, 300; 73/493, 627, 628, 632, 649; D12/415; D13/173; D14/453; D99/43
See application file for complete search history.

- 5,113,667 A 5/1992 Sullivan
- D332,950 S * 2/1993 Kirwan et al. D14/453
- D333,421 S * 2/1993 Patti D8/356
- D359,944 S * 7/1995 Roberts et al. D12/415
- 5,647,178 A 7/1997 Cline
- D400,865 S * 11/1998 Korhonen D13/173
- D403,951 S * 1/1999 Lin D8/356
- D417,134 S * 11/1999 Workman D8/350
- D460,682 S * 7/2002 Conner et al. D8/354
- 6,595,472 B1 7/2003 Piszczak
- D480,290 S * 10/2003 Gonzales D8/354
- D495,115 S * 8/2004 Washington et al. D99/43
- 7,137,604 B2 11/2006 Fitzgerald
- D550,540 S * 9/2007 Nawrocki D8/354
- D563,771 S * 3/2008 Prechtel et al. D8/354
- D566,526 S * 4/2008 Robbins et al. D8/354
- D572,569 S * 7/2008 Magnessio et al. D8/354
- D575,631 S * 8/2008 Huang D8/354

(Continued)

Primary Examiner — Karen S Acker
Assistant Examiner — Bao-Yen Nguyen
(74) *Attorney, Agent, or Firm* — Hamre, Schumann, Mueller & Larson, P.C.

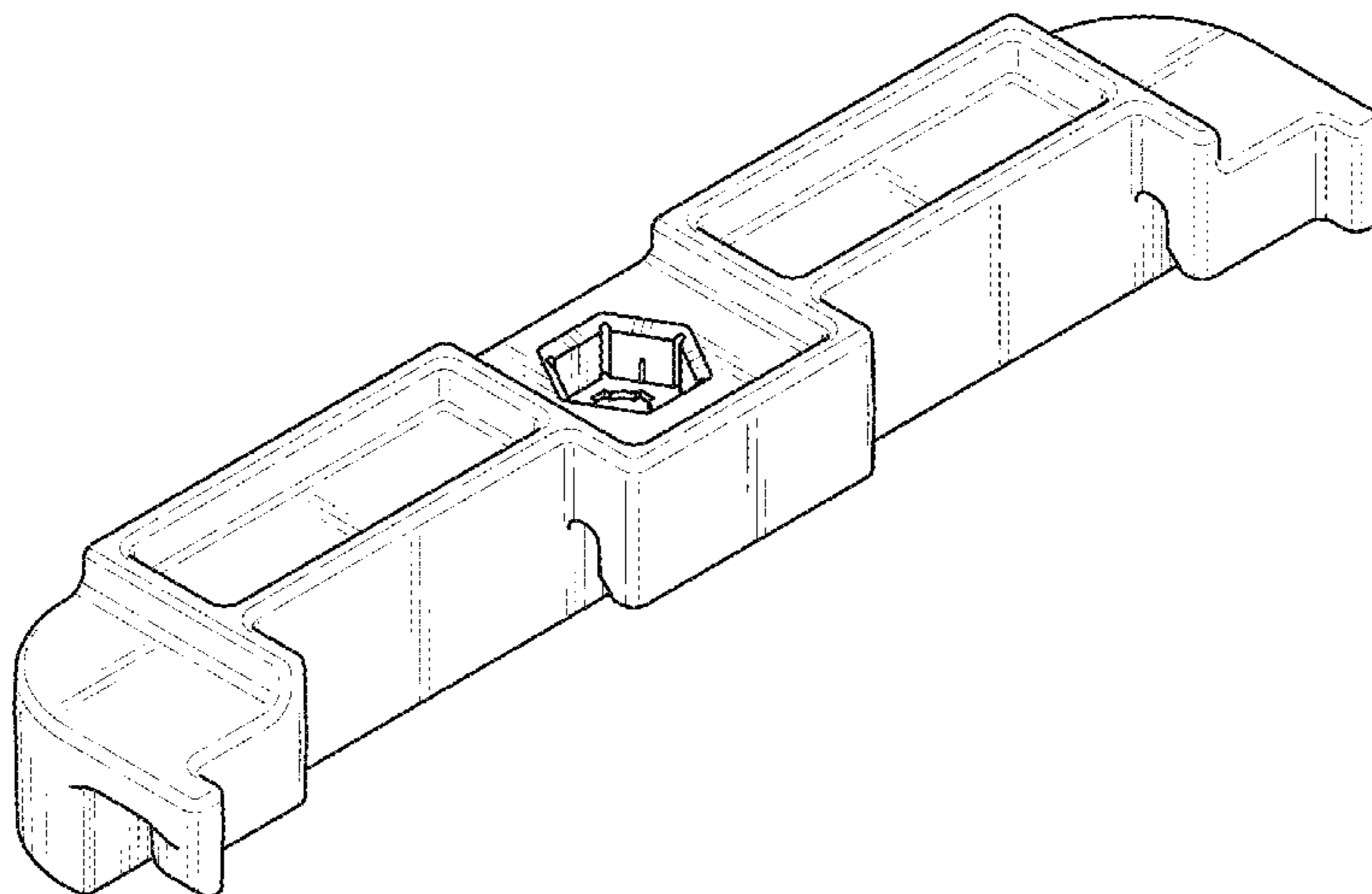
(57) **CLAIM**
The ornamental design for a mounting clamp, as shown and described.

- (56) **References Cited**
U.S. PATENT DOCUMENTS
- D25,027 S * 12/1895 Gunn D8/354
- 670,763 A 3/1901 Brodeur
- D35,000 S * 8/1901 Kendrick D6/503
- 1,835,728 A 12/1931 Urfer
- 3,036,673 A 5/1962 Santerre
- 3,199,624 A 8/1965 Burns et al.
- 3,325,692 A 6/1967 Manetti et al.
- 3,387,814 A 6/1968 Fischer
- 3,651,883 A 3/1972 Aldag
- D237,046 S * 10/1975 Sloan D8/363
- 4,199,072 A 4/1980 Jacks
- D259,394 S 6/1981 Smith
- 4,680,915 A 7/1987 Bush
- 4,813,809 A 3/1989 Stratman et al.
- D318,785 S * 8/1991 Dean D8/373

DESCRIPTION

FIG. 1 is a front perspective view of a mounting clamp showing our new design;
FIG. 2 is a bottom perspective view thereof;
FIG. 3 is a top elevational view thereof;
FIG. 4 is a bottom elevational view thereof;
FIG. 5 is a front side elevational view thereof;
FIG. 6 is rear side elevational view thereof; and,
FIG. 7 is a left elevational view thereof and the right elevational view is a mirror image of the left elevational view.
The broken lines shown in FIGS. 2 and 4 and the areas within the broken lines depict portions of the mounting clamp that form no part of the claimed design.

1 Claim, 3 Drawing Sheets



US D730,156 S

Page 2

(56)

References Cited

U.S. PATENT DOCUMENTS

D598,730 S *	8/2009	Luo et al.	D8/354	D613,593 S *	4/2010	King	D8/382
D599,190 S *	9/2009	Huang	D8/354	D625,168 S *	10/2010	Chen	D8/354
D599,193 S *	9/2009	Meyer et al.	D8/354	D629,987 S *	12/2010	D'Ulisse	D32/58
D602,765 S *	10/2009	Craiglow	D8/356	D635,008 S *	3/2011	Virgin	D8/349
				D651,503 S *	1/2012	Ellis	D8/349
				D658,484 S *	5/2012	Wall	D8/354

* cited by examiner

Fig. 1

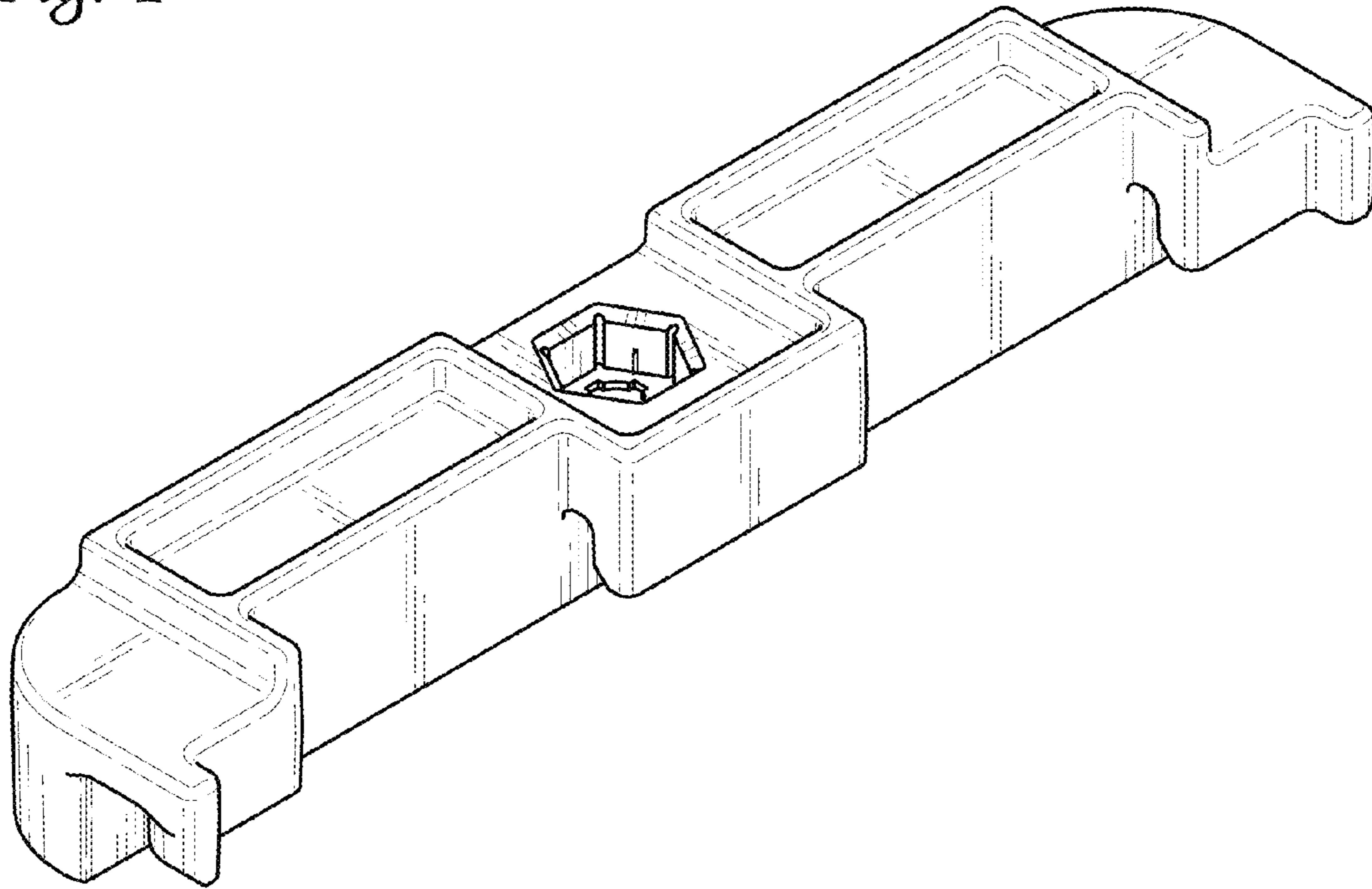


Fig. 2

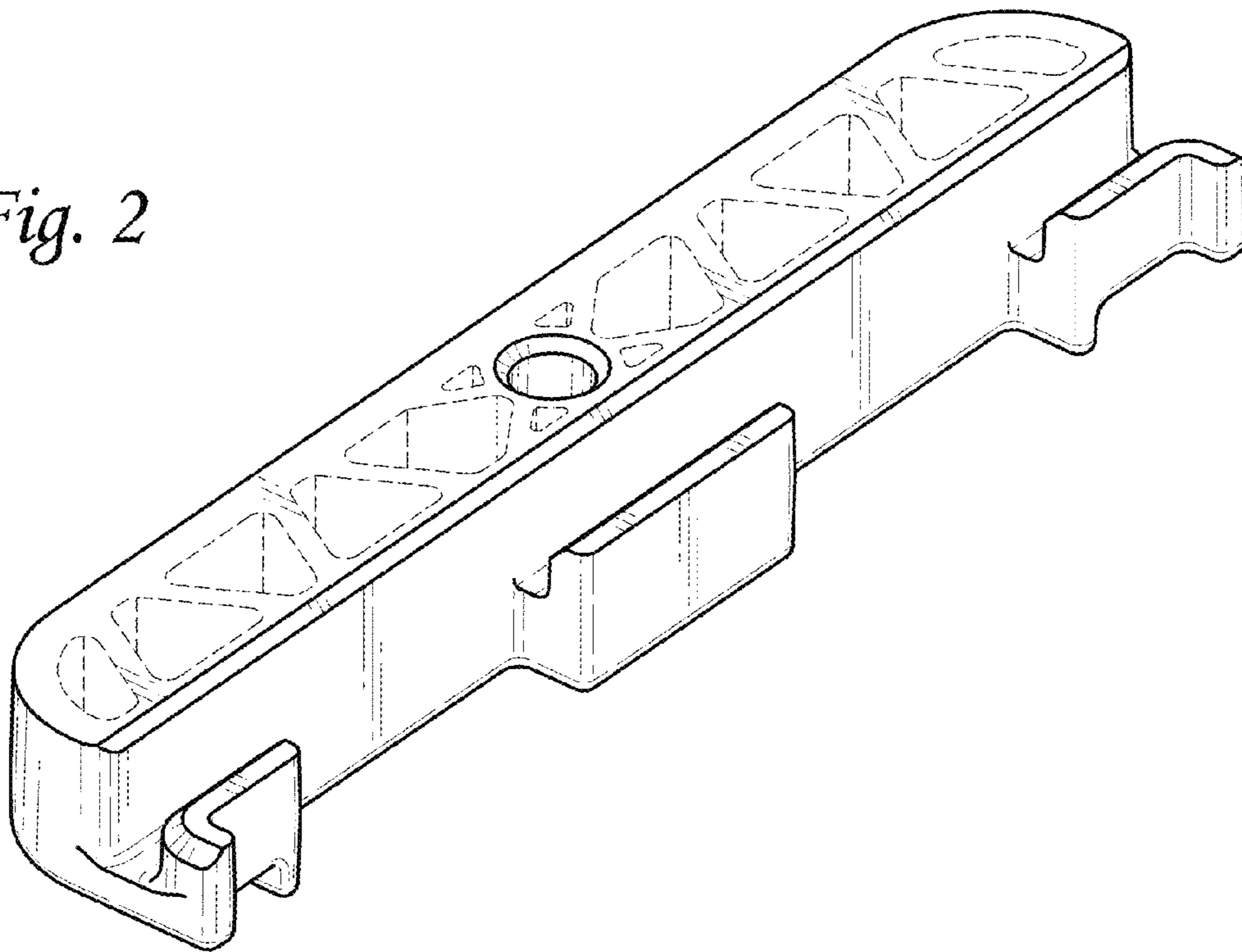


Fig. 3

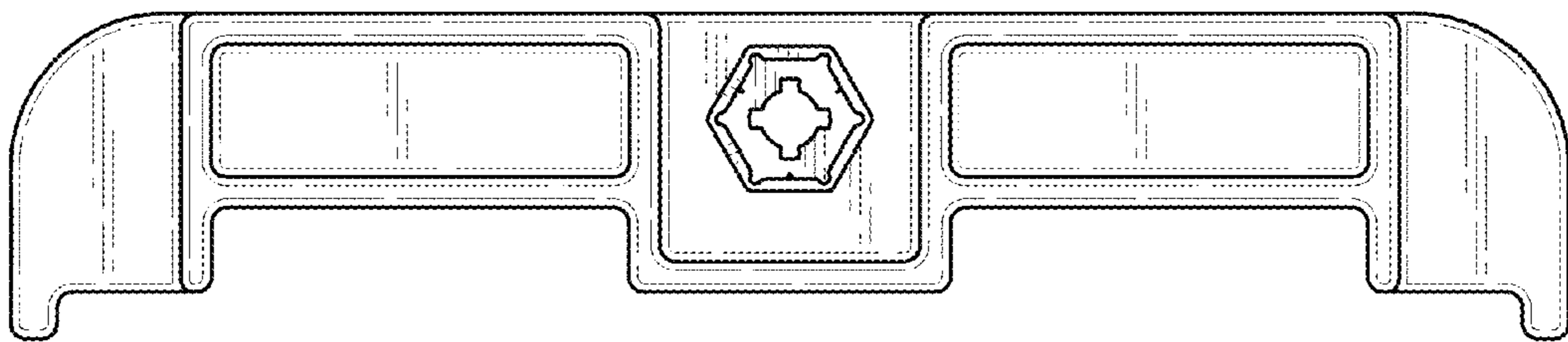


Fig. 4

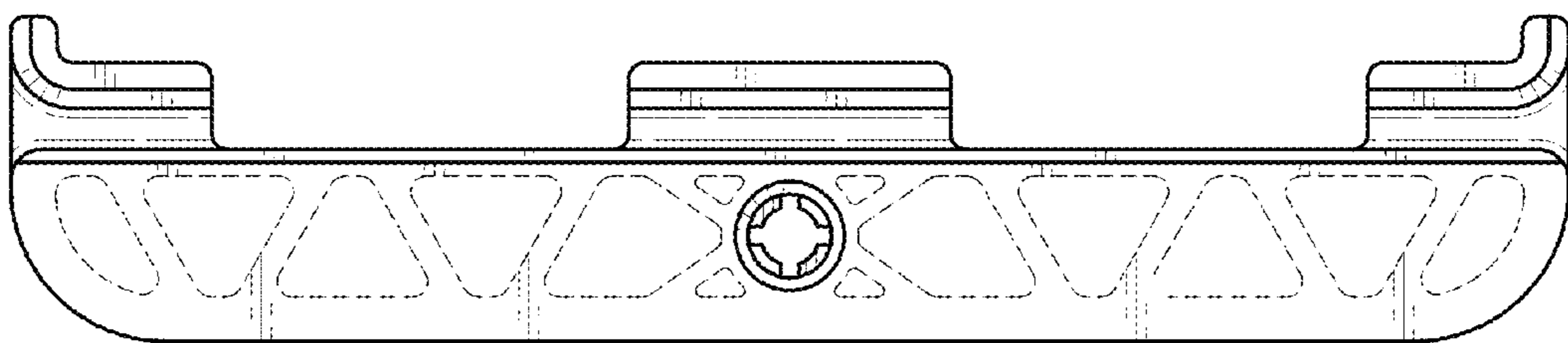


Fig. 5

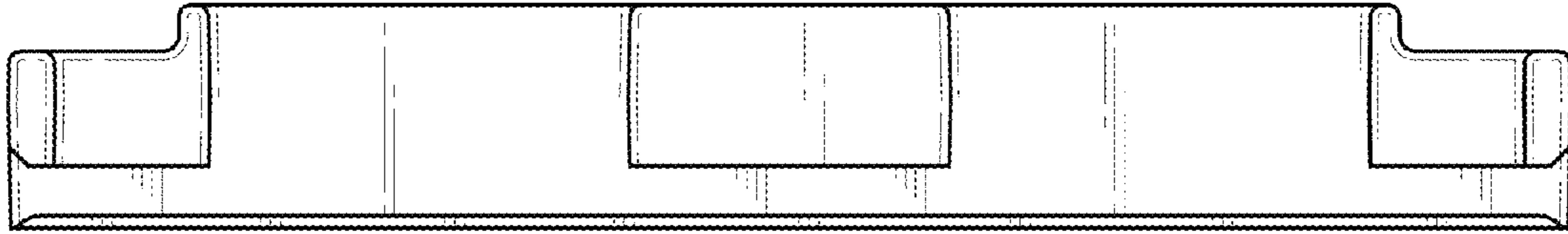


Fig. 6

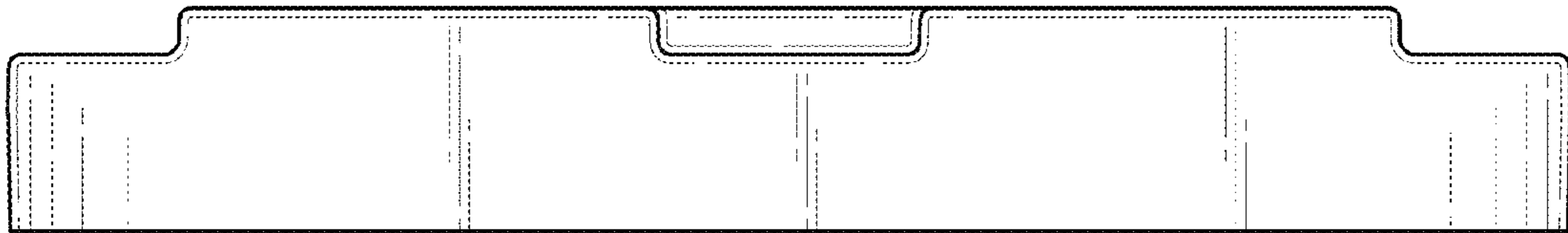


Fig. 7

