



US00D730149S

(12) **United States Design Patent**
Smith et al.

(10) **Patent No.:** **US D730,149 S**
(45) **Date of Patent:** **** May 26, 2015**

(54) **HINGE**

(56)

References Cited

(71) Applicant: **Centor Design Pty Ltd**, Eagle Farm (AU)

(72) Inventors: **Michael Smith**, Hamilton (AU); **Noel Woolley**, Eatons Hill (AU)

(73) Assignee: **Center Design Pty Ltd**, Eagle Farm (AU)

(**) Term: **14 Years**

(21) Appl. No.: **29/477,084**

(22) Filed: **Dec. 19, 2013**

(30) **Foreign Application Priority Data**

Jun. 20, 2013 (AU) 12847/2013

(51) **LOC (10) Cl.** **08-06**

(52) **U.S. Cl.**
USPC **D8/323**

(58) **Field of Classification Search**
USPC 220/575; 206/521.15; 24/302, 16 R, 24/306, 17 R; 439/501; 381/374; D14/217, D14/205; D8/323, 327, 323.349, 356; 16/225, 250, 682, 309, 235, 275, 244, 16/379, 390, 430, 241, 238, 245, 236, 243, 16/242, 385, 331, 274; D23/303; 4/236, 4/240

See application file for complete search history.

U.S. PATENT DOCUMENTS

D396,626	S	*	8/1998	Francom	D8/323
D443,196	S	*	6/2001	Sosa	D8/323
D544,779	S	*	6/2007	Loggen	D8/327
7,240,400	B2	*	7/2007	Bonham	16/238
D588,899	S	*	3/2009	Lucchini	D8/326
D624,388	S	*	9/2010	Eland	D8/323
D679,570	S	*	4/2013	Farnsworth et al.	D8/323
D699,093	S	*	2/2014	Farnsworth et al.	D8/323

* cited by examiner

Primary Examiner — Cynthia Underwood

(74) *Attorney, Agent, or Firm* — Wells St. John P.S.

(57)

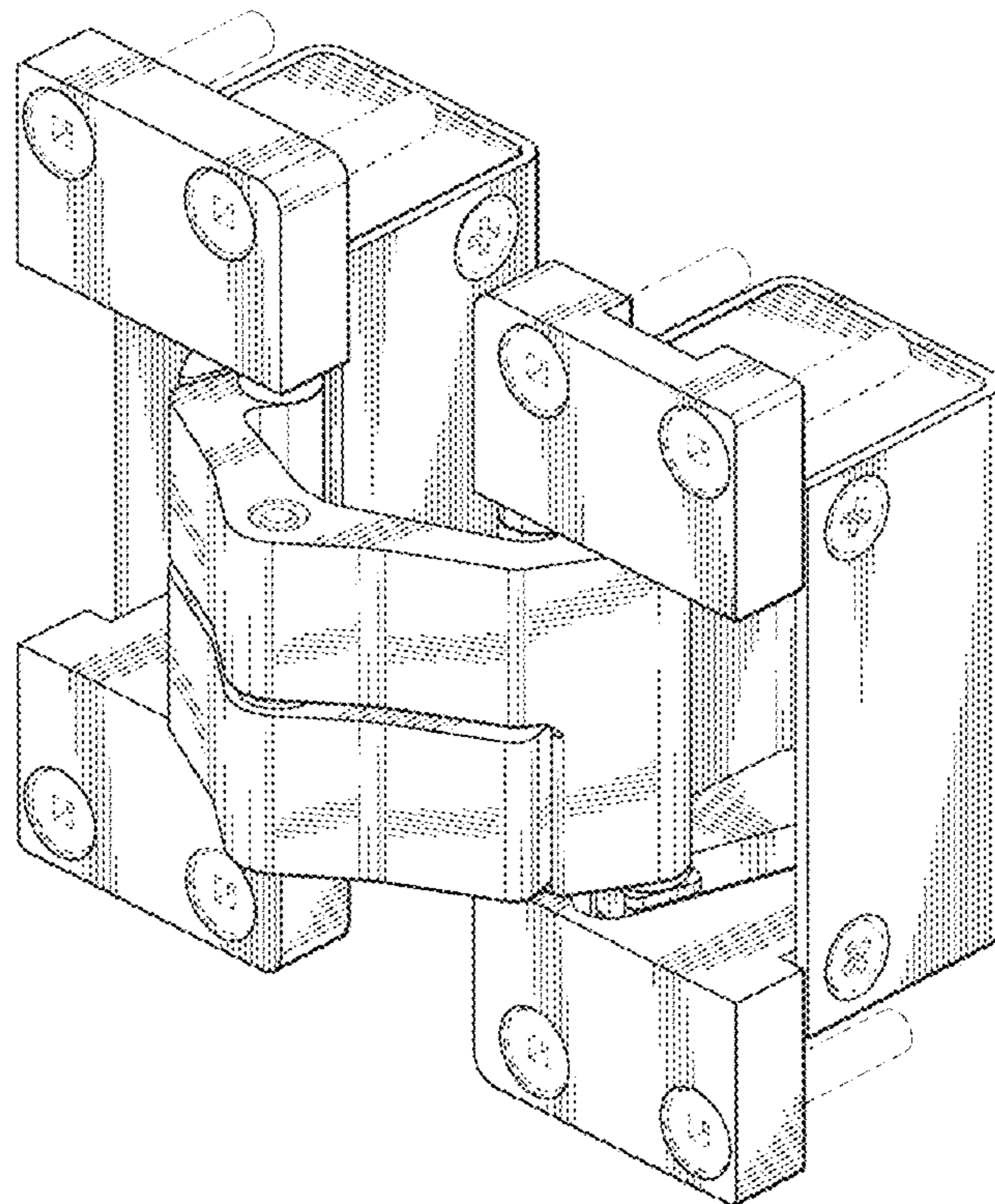
CLAIM

I claim the ornamental design for a hinge, as shown and described.

DESCRIPTION

FIG. 1 is a front perspective view of the design for a hinge; FIG. 2 is a side view thereof; FIG. 3 is a front view thereof; FIG. 4 is a side view opposite to FIG. 2 thereof; FIG. 5 is a rear view thereof; FIG. 6 is a top plan view thereof; and, FIG. 7 is a bottom plan view thereof. The broken lines are included for illustrative purposes and form no part of the claimed design.

1 Claim, 6 Drawing Sheets



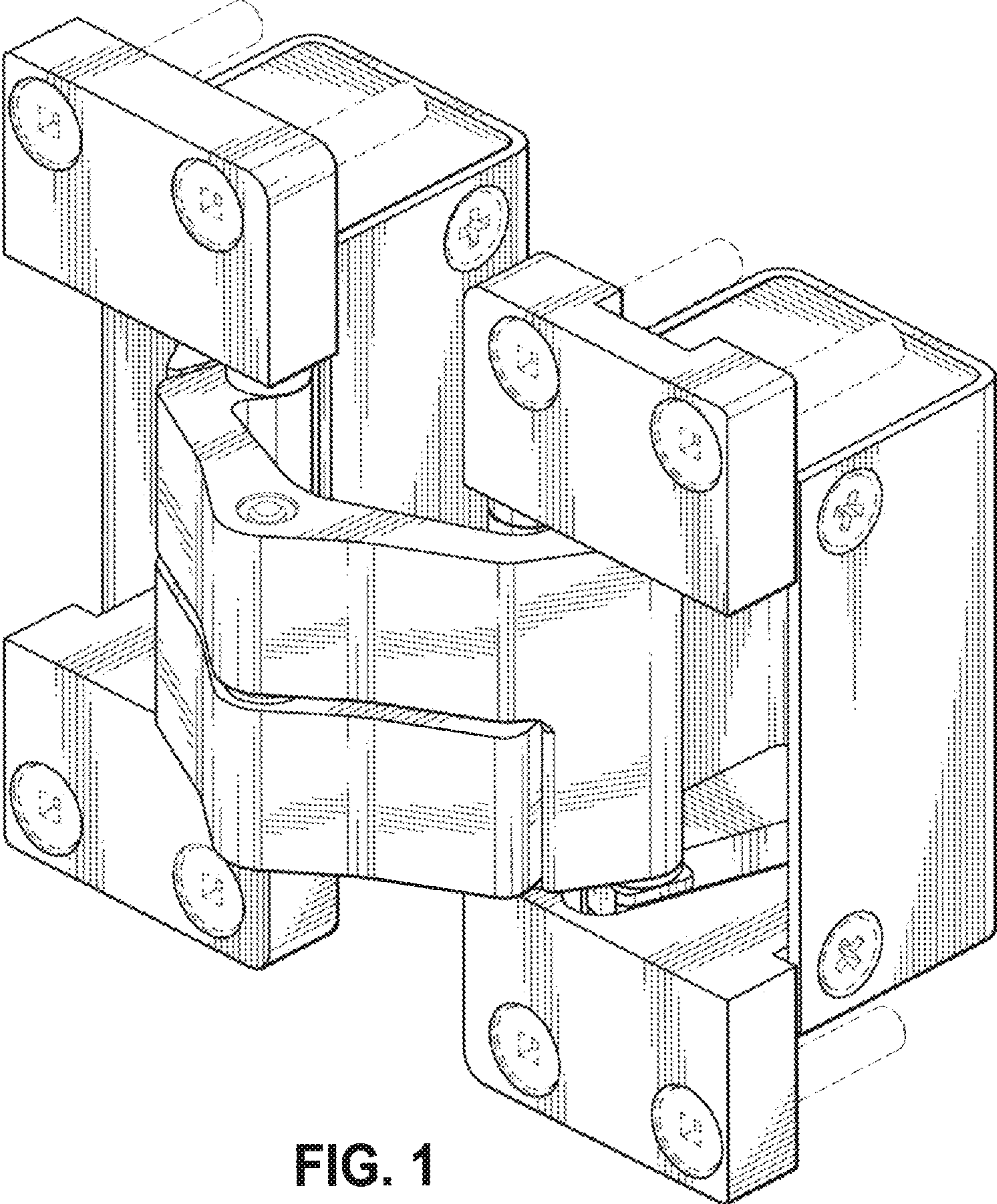


FIG. 1

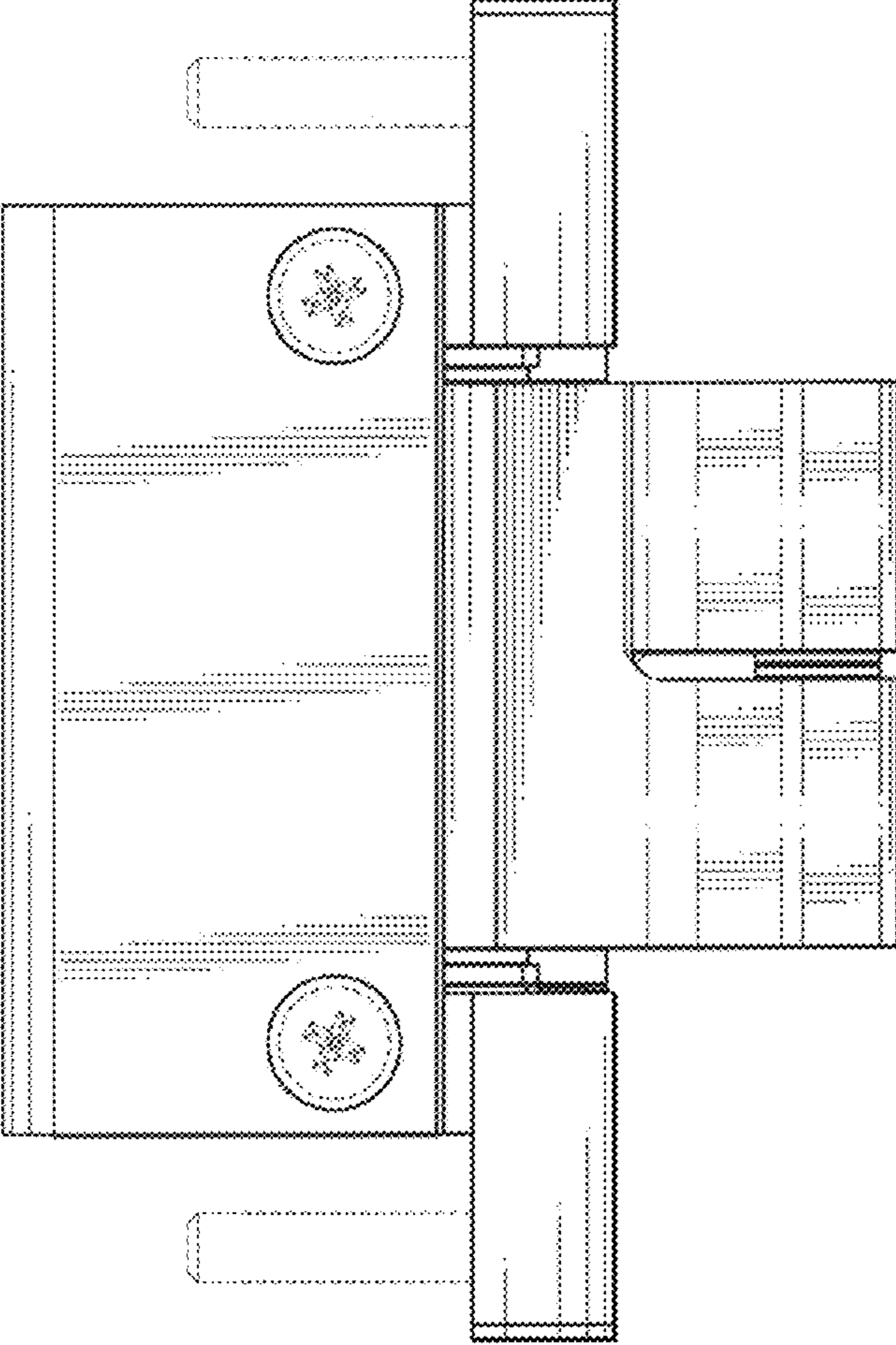


FIG. 2

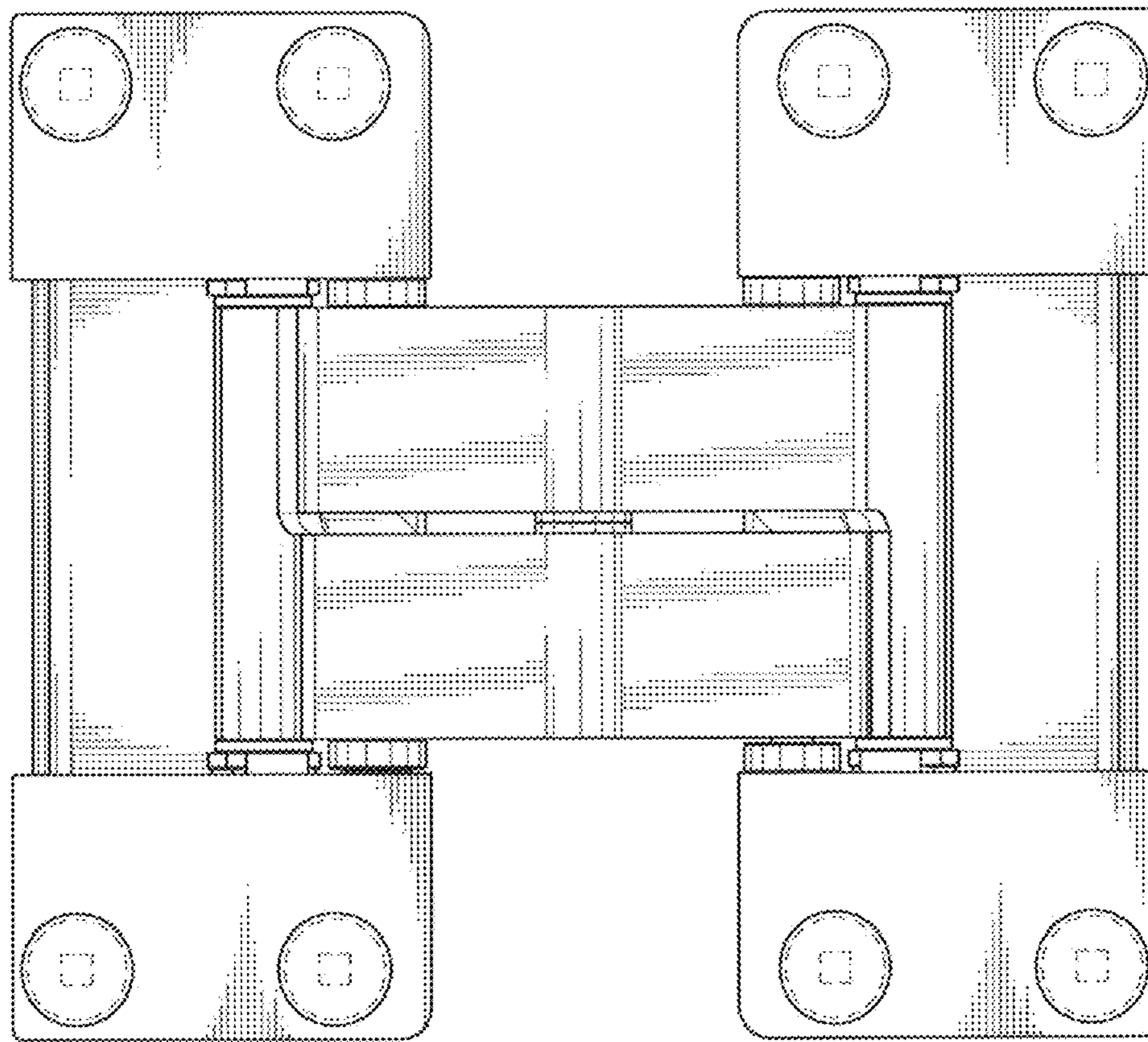


FIG. 3

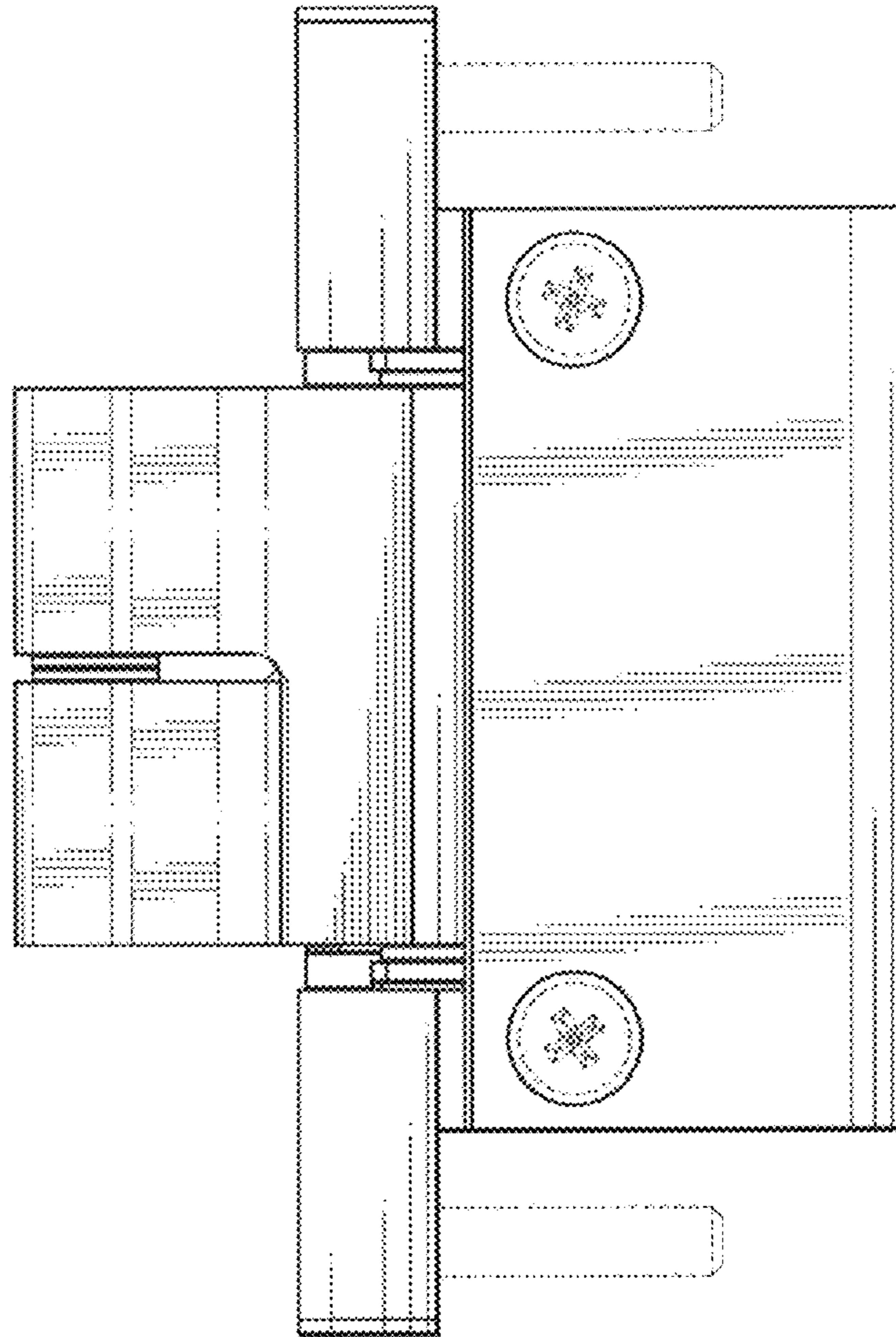


FIG. 4

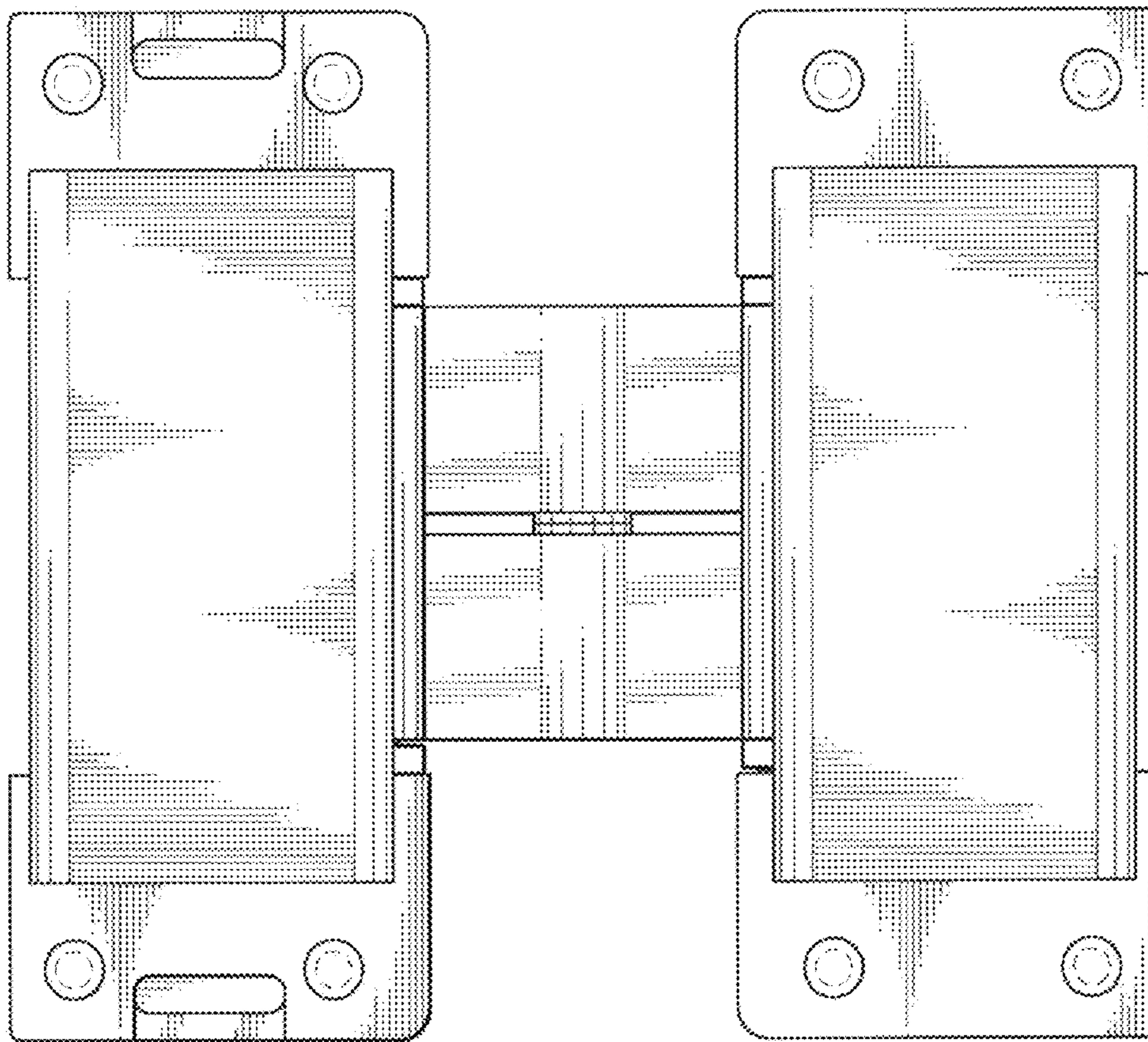


FIG. 5

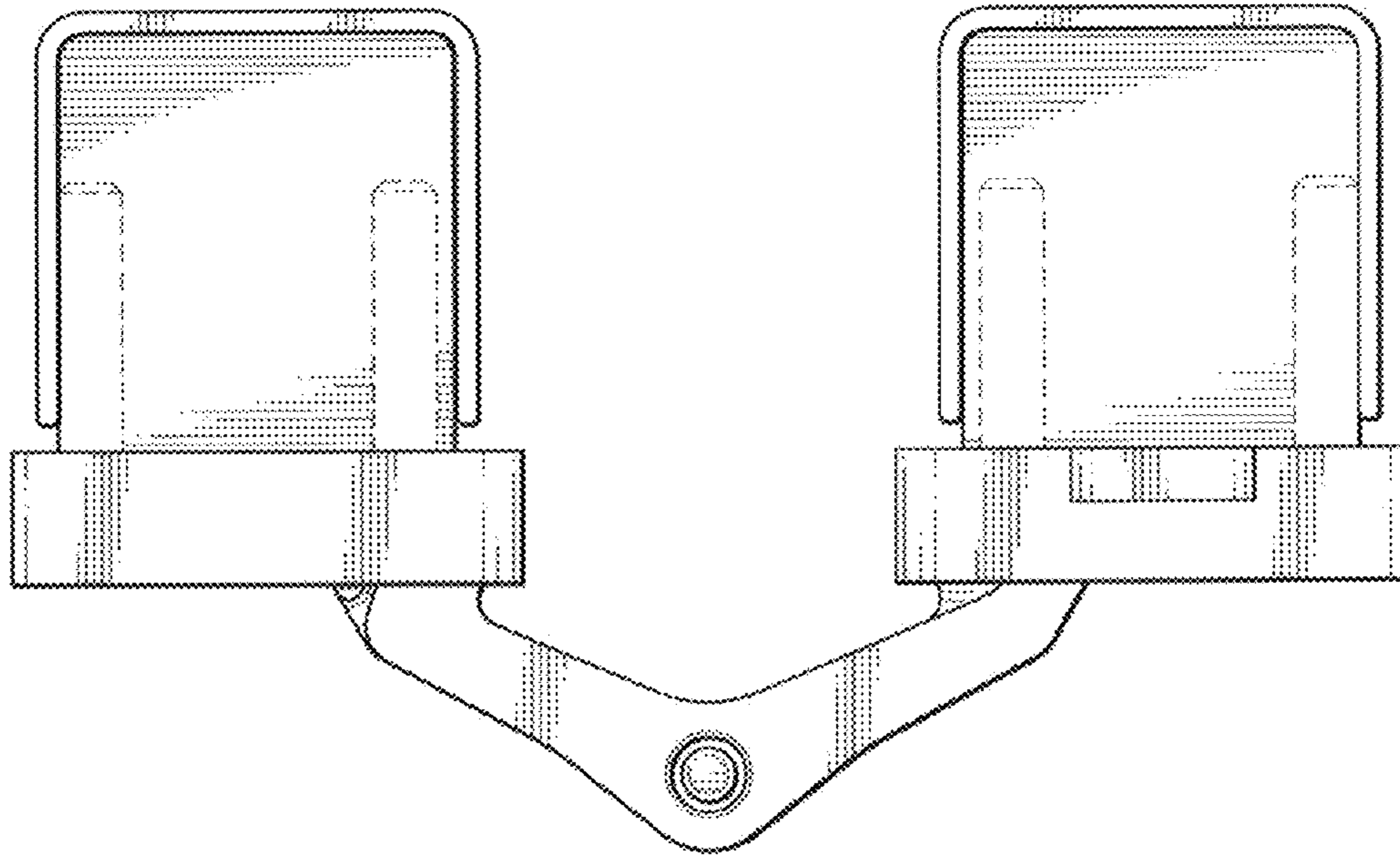


FIG. 6

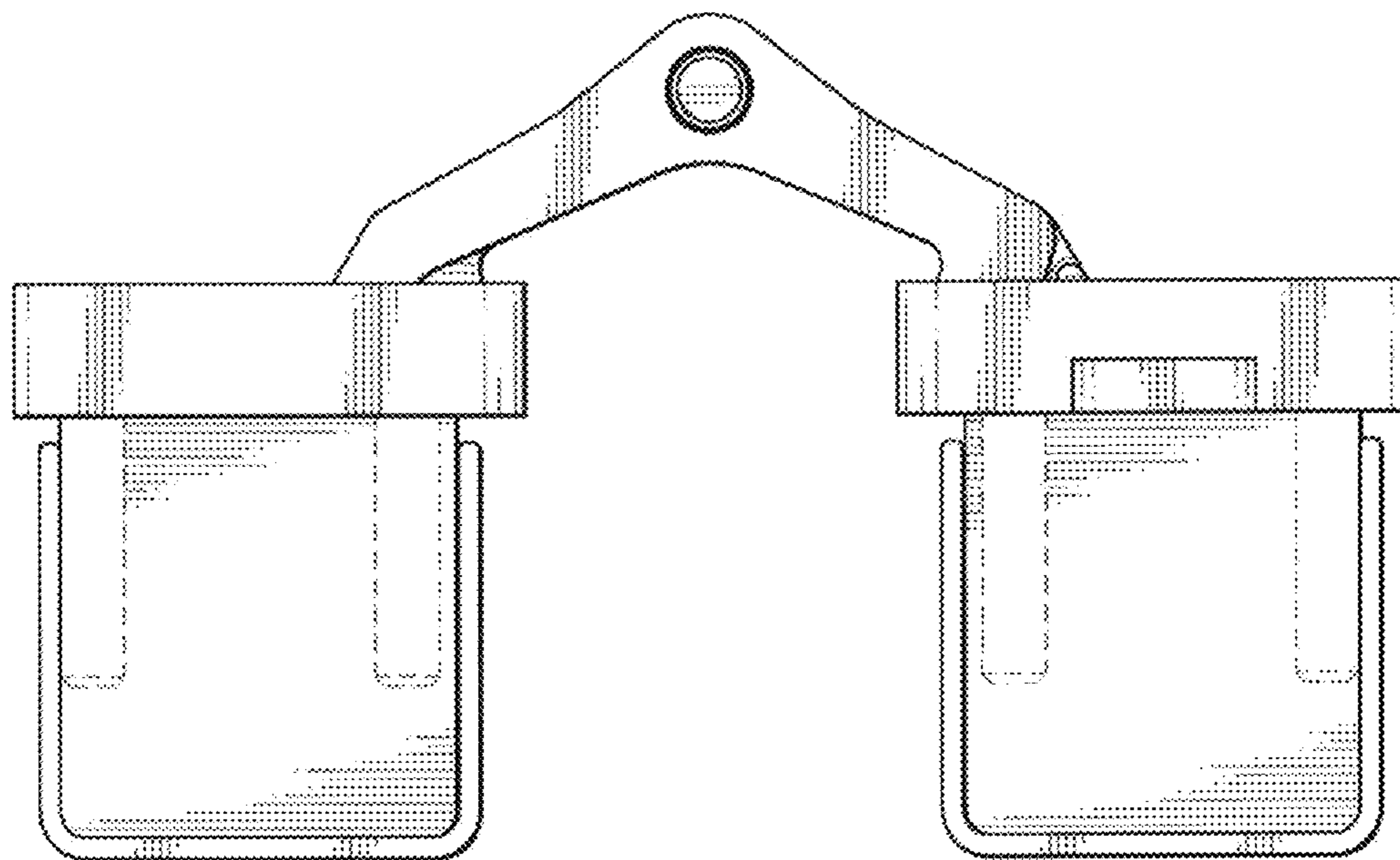


FIG. 7