



US00D730148S

(12) **United States Design Patent**
Magnusson

(10) **Patent No.:** **US D730,148 S**

(45) **Date of Patent:** **** May 26, 2015**

(54) **DRAWER PULL**

(71) Applicant: **Cherry Man Industries, Inc.**, Carson, CA (US)

(72) Inventor: **Carl G. Magnusson**, Los Angeles, CA (US)

(73) Assignee: **Cherry Man Industries, Inc.**, Carson, CA (US)

(**) Term: **14 Years**

(21) Appl. No.: **29/469,186**

(22) Filed: **Oct. 8, 2013**

(51) **LOC (10) Cl.** **08-06**

(52) **U.S. Cl.**
USPC **D8/313**

(58) **Field of Classification Search**
CPC A47B 95/02
USPC D8/300, 313, 315, 316, 318, 321;
16/110.1, 436, 430, 431; D99/11;
D15/89

See application file for complete search history.

(56) **References Cited**

U.S. PATENT DOCUMENTS

467,487	A *	1/1892	Whittier	40/325
D100,218	S *	6/1936	Martin	D8/313
2,222,320	A *	11/1940	Morgen	16/419
D130,321	S *	11/1941	Borchers	D8/316
D162,516	S *	3/1951	Burgold	D8/319
2,793,386	A *	5/1957	Muhlhauser	16/416
D186,811	S *	12/1959	Hillgren	D8/316
D194,968	S *	4/1963	Stehma	D8/317
D205,214	S *	7/1966	Terrain	D8/302
D257,476	S *	11/1980	Sirois	D8/316
D285,395	S *	9/1986	Case et al.	D6/494
4,732,430	A *	3/1988	Byrns	312/330.1

4,744,126	A *	5/1988	Bisbing	16/443
D315,488	S *	3/1991	Tremonti	D8/316
D399,406	S *	10/1998	Decursu et al.	D8/317
D403,230	S *	12/1998	Ziemer et al.	D8/317
D431,442	S *	10/2000	Short	D8/307
D431,445	S *	10/2000	Short	D8/316
D435,424	S *	12/2000	Short	D8/310
D530,590	S *	10/2006	Singtoroj et al.	D8/302
D551,056	S *	9/2007	Ricereto	D8/317
D562,360	S *	2/2008	Choi	D15/89
D568,142	S *	5/2008	Zhang et al.	D8/320
D569,704	S *	5/2008	Ricereto	D8/315
D570,646	S *	6/2008	Jeon	D7/402
D571,633	S *	6/2008	Shuman et al.	D8/313
D597,396	S *	8/2009	Menzies	D8/315
D604,141	S *	11/2009	Reed et al.	D8/313
D612,677	S *	3/2010	Jeon	D7/402
D694,089	S *	11/2013	Boland	D8/313

* cited by examiner

Primary Examiner — Paula Greene

(74) *Attorney, Agent, or Firm* — Christie, Parker & Hale, LLP

(57) **CLAIM**

The ornamental design for a drawer pull, as shown and described.

DESCRIPTION

FIG. 1 is a front view of a drawer pull according to the design;

FIG. 2 is a bottom view of the design, the top view being a mirror image;

FIG. 3 is a right side view of the design, the left side view being a mirror image;

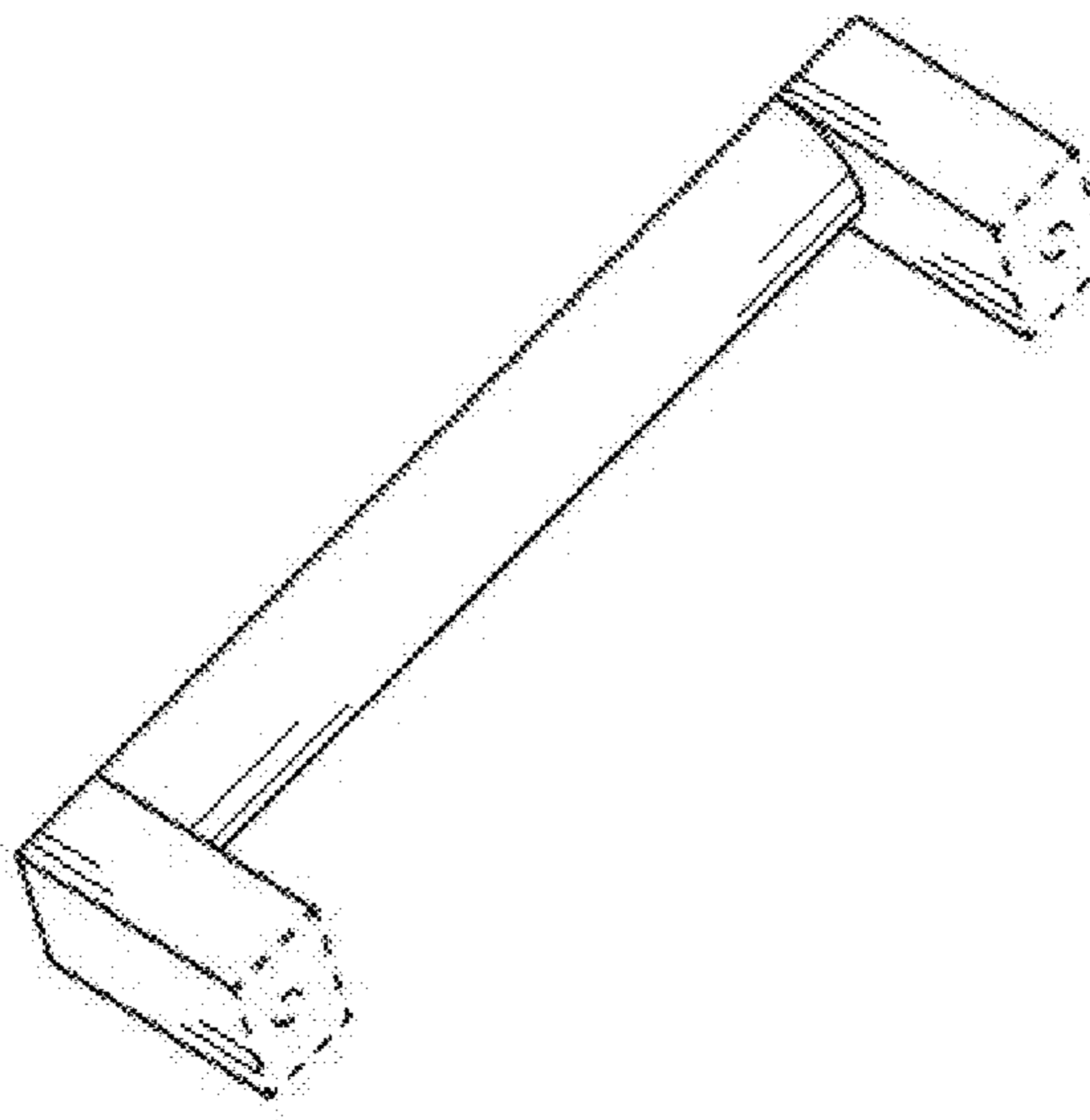
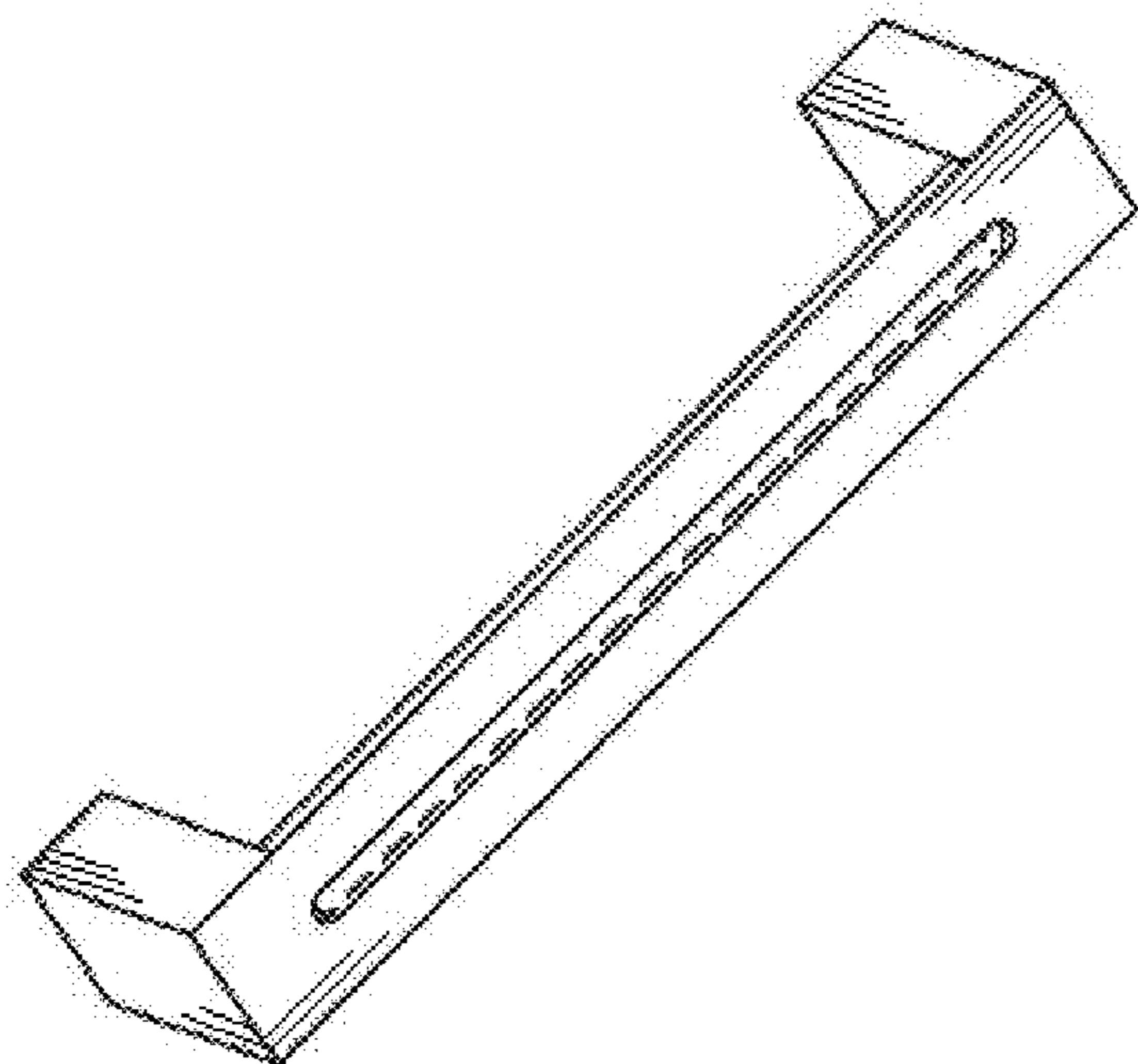
FIG. 4 is a rear view of the design;

FIG. 5 is a front perspective view of the design; and,

FIG. 6 is a rear perspective view of the design.

The broken lines in the drawings are for illustrative purpose only and form no part of the claimed design.

1 Claim, 2 Drawing Sheets



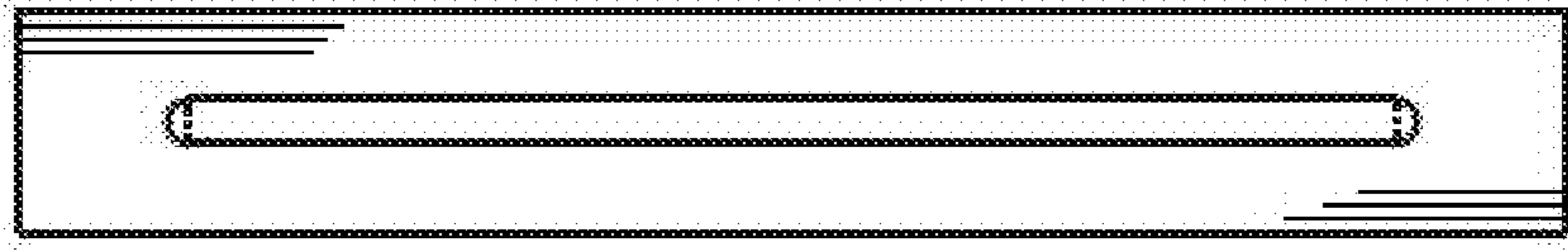


Fig. 1



Fig. 2



Fig. 3



Fig. 4

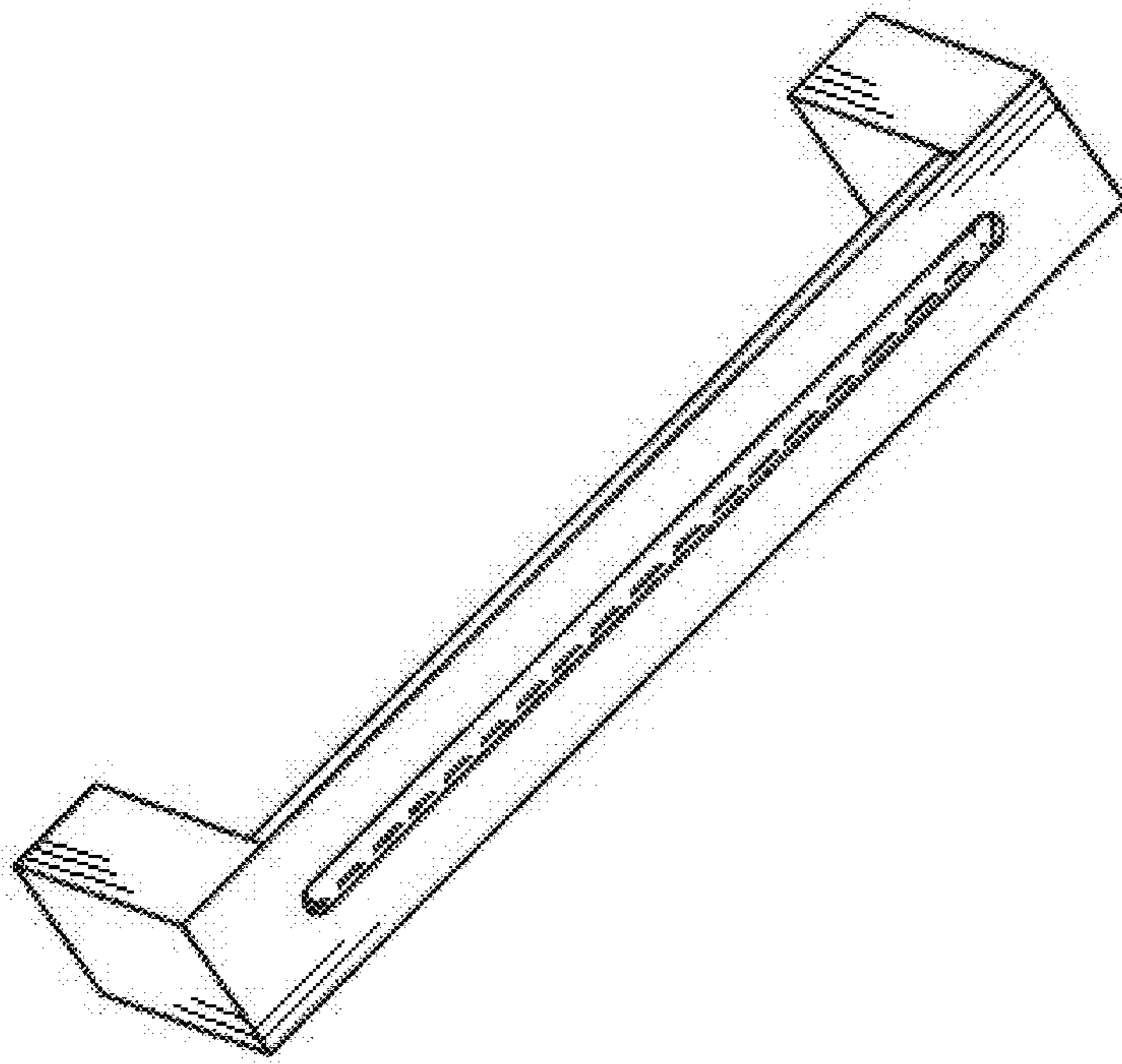


Fig. 5

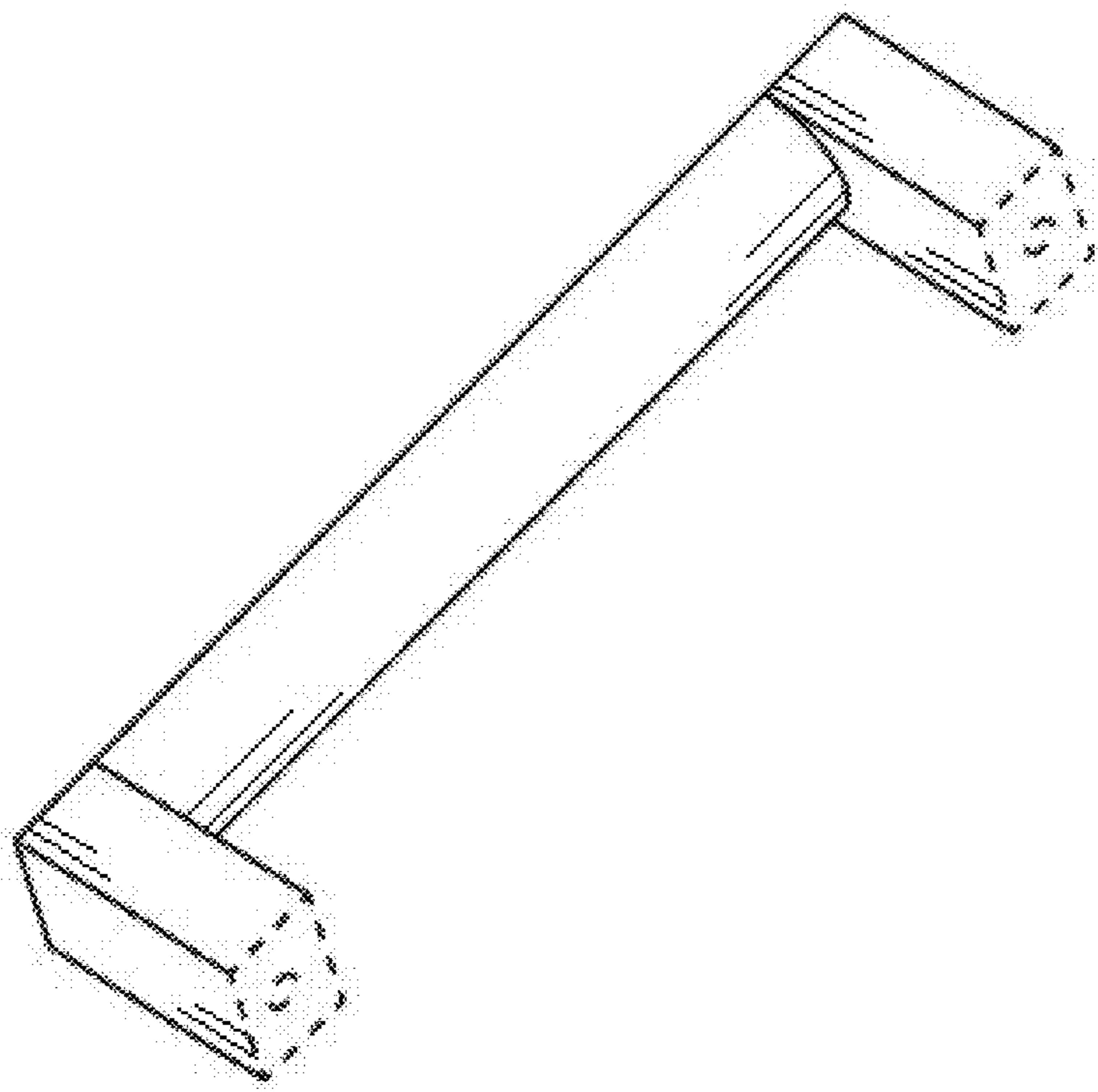


Fig. 6