



US00D730144S

(12) **United States Design Patent**  
**Jones**

(10) **Patent No.:** **US D730,144 S**

(45) **Date of Patent:** **\*\* May 26, 2015**

(54) **SHOOTING PLANE**

(71) Applicant: **Lee Valley Tools Ltd.**, Ottawa, Ontario (CA)

(72) Inventor: **Steven K. Jones**, Ottawa (CA)

(73) Assignee: **Lee Valley Tools Ltd.**, Ottawa, Ontario (CA)

(\*\*) Term: **14 Years**

(21) Appl. No.: **29/459,767**

(22) Filed: **Jul. 3, 2013**

(51) **LOC (10) Cl.** ..... **08-03**

(52) **U.S. Cl.**  
USPC ..... **D8/101**

(58) **Field of Classification Search**  
USPC ..... D8/14, 51, 98, 101; 30/484, 487, 488, 30/490, 491

See application file for complete search history.

(56) **References Cited**

**U.S. PATENT DOCUMENTS**

502,906	A	2/1866	Hardt
81,879	A	9/1868	Comp
99,275	A	1/1870	Tredway
186,281	A	1/1877	Traut
274,600	A	3/1883	Hegglund
306,877	A	10/1884	Traut
323,804	A	8/1885	Gage
545,732	A	9/1895	Schade
553,322	A	1/1896	Traut et al.

(Continued)

**OTHER PUBLICATIONS**

Stanley #51 Chute Board Plane.

(Continued)

*Primary Examiner* — Phillip S Hyder

(74) *Attorney, Agent, or Firm* — John S. Pratt; Megan E. Bussey; Kilpatrick Townsend & Stockton LLP

(57) **CLAIM**

The ornamental design for shooting plane, as shown and described.

**DESCRIPTION**

FIG. 1 is an isometric view of the top right and front of a right-hand shooting plane showing my new design, in a second embodiment of the design, the left-hand shooting plane is a mirror image of this FIG. 1;

FIG. 2 is a top view of the right-hand shooting plane of this invention; the top view of the left-hand shooting plane of this invention is a mirror image of this FIG. 2.

FIG. 3 is a right side view of the right-hand shooting plane of this invention; the left side view of the left-hand shooting plane of this invention is a mirror image of this FIG. 3.

FIG. 4 is a bottom view of the right-hand shooting plane of this invention; the bottom view of the left-hand shooting plane of this invention is a mirror image of this FIG. 4.

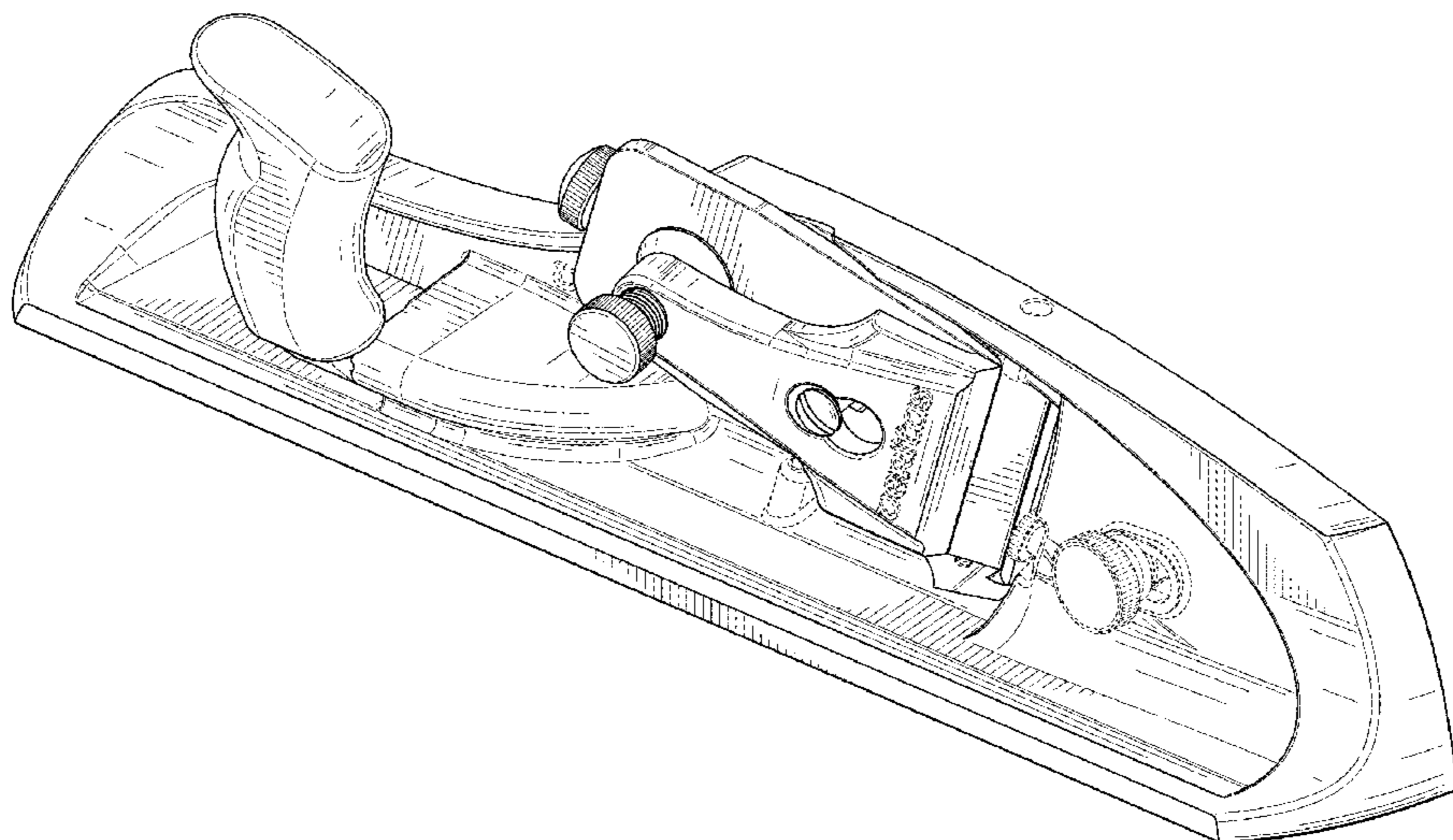
FIG. 5 is the left side view of the of the right-hand shooting plane of this invention; the right side view of the left-hand shooting plane of this invention is a mirror image of this FIG. 5.

FIGS. 6 and 7 are the front and rear views, respectively, of the right-hand shooting plane of this invention; the front and rear views, respectively, of the left-hand shooting plane of this invention are mirror images of these FIGS. 6 and 7; and,

FIG. 8 is a rear view of the right-hand shooting plane of this invention with the adjustable handle swiveled to a different position from that shown in the other Figures; the rear view of the left-hand shooting plane of this invention with the adjustable handle swiveled to the comparable position is a mirror image of this FIG. 8.

The broken lines depict portions of the shooting plane in which the design is embodied that are not considered part of the claimed design.

**1 Claim, 6 Drawing Sheets**



(56)

References Cited

U.S. PATENT DOCUMENTS

556,835	A	3/1896	Smith	
636,830	A	11/1899	Miller	
645,220	A *	3/1900	Traut .....	30/489
721,771	A	3/1903	Allen	
749,827	A	1/1904	Sjoander	
781,771	A	2/1905	Gardner	
917,915	A	4/1909	Vander Toorn	
968,508	A *	8/1910	Bodner .....	30/486
984,083	A	2/1911	Faber	
1,090,225	A	3/1914	Page	
1,221,436	A	4/1917	Gaede	
1,440,649	A	11/1921	Tvedt	
1,417,857	A	5/1922	Pfeiffer	
1,448,775	A	9/1922	Trump	
1,439,207	A	12/1922	Vaughan	
1,567,342	A	12/1925	Szako	
1,645,781	A	10/1927	Szako	
1,722,742	A	7/1929	Gloshen	
2,371,946	A	3/1945	Benn	
2,550,766	A	5/1951	Bryant	
2,758,619	A *	8/1956	Swanson et al. ....	30/478
3,028,892	A	4/1962	Filia	
4,555,850	A	12/1985	Frech	
4,584,772	A	4/1986	Bergler	
4,589,209	A	5/1986	Zarges et al.	
5,694,696	A *	12/1997	Lee et al. ....	30/488
6,615,497	B1 *	9/2003	Saunders et al. ....	30/488
D481,288	S *	10/2003	Saunders .....	D8/101
6,708,412	B2	3/2004	Saunders et al.	
D591,579	S *	5/2009	Saunders et al. ....	D8/101
D595,558	S *	7/2009	Saunders .....	D8/101
D602,327	S *	10/2009	Hyde et al. ....	D8/101
7,603,783	B2 *	10/2009	Lee et al. ....	30/489
D605,023	S *	12/2009	Hyde et al. ....	D8/101
2003/0037446	A1	2/2003	Saunders et al.	
2005/0188553	A1	9/2005	Lee et al.	

OTHER PUBLICATIONS

Stanley #52 Chute Board and Plane.  
Lie-Nielsen #51 Shoot Board Plane.

“The Superior Works: Patrick’s Blood and Gore Planes #71-#87,” <http://www.supertool.com/St StanleyBG/stan10.htm>, #85 Cabinet Makers Scraper Plane, Jul. 28, 2004.  
“Rabbet planes and chisel planes,” Dieter Schmid-Fine Tools, [www.fine-tools.com](http://www.fine-tools.com), Jul. 3, 2004.  
“Rabbet Planes,” Woodcraft Supply Corporation, [www.shop.woodcraft.com](http://www.shop.woodcraft.com), printed Jul. 19, 2004.  
“Stanley Rabbet Planes,” Woodcraft Supply Corporation, [www.shop.woodcraft.com](http://www.shop.woodcraft.com), printed Jul. 19, 2004.  
Rear Cover of Lee Valley & Veritas® Catalog, Copyright 1999.  
Various Views of Extra Special Bench Plane, 5 pages.  
1998/1999 Issue of Lee Valley & Veritas® Catalog, Copyright 1998, p. 26, items H, J, K, and L; p. 27, items C & H.  
Lee, Leonard, The Complete Guide to Sharpening, A Fine Woodworking Handbook, pp. 229-233.  
Lie-Nielsen Toolworks USA, Bench Rabbet Plane, Apr. 10, 2006, pp. 1-3, <http://www.lienielsen.com/catalog.php?grp=1219>.  
The Superior Works: Patrick’s Blood and Gore Planes #9-#11-1/2, #9 Cabinetmaker’s block plane, May 22, 2007, pp. 1-2, <http://www.supertools.com/St StanleyBG/stan2.htm>.  
The Superior Works: Patrick’s Blood and Gore Planes #60-#70, #62 Low Angle Block plane, May 22, 2007, p. 3, <http://www.supertool.com/St StanleyBG/stan9.htm>.  
The Superior Works: Patrick’s Blood and Gore Planes #141-#196, #164 Low angle plane, May 22, 2007, p. 4, <http://www.supertool.com/St StanleyBG/stan13.htm>.  
OnlineToolReviews.com—Lee Valley/Veritas Low Angle Smoothing Plane—Detailed Review, The Stanley #164, May 22, 2007, p. 2, <http://www.onlinetoolreviews.com/reviews/veritaslowanglesmoother.htm>.  
Record No. 073, Jan. 23, 2005, <http://www.hansbrunnertools.gil.com.au/images/MetalPlanes/Record073.JPG>.  
Record No. 073, Jan. 23, 2005, <http://www.theoldtoolshop.fsnet.co.uk/mainpics/SR053.jpg>.  
Record No. 073, Jan. 23, 2005, <http://home.pacbell.net/dprice1/plane5.jpg>.  
Record # 073 Rabbet Plane NR, Jan. 23, 2005, p. 4, <http://cgi.ebay.com/ws/eBayISAPI.dll?ViewItem&item=6148715131&category=13874>.

\* cited by examiner

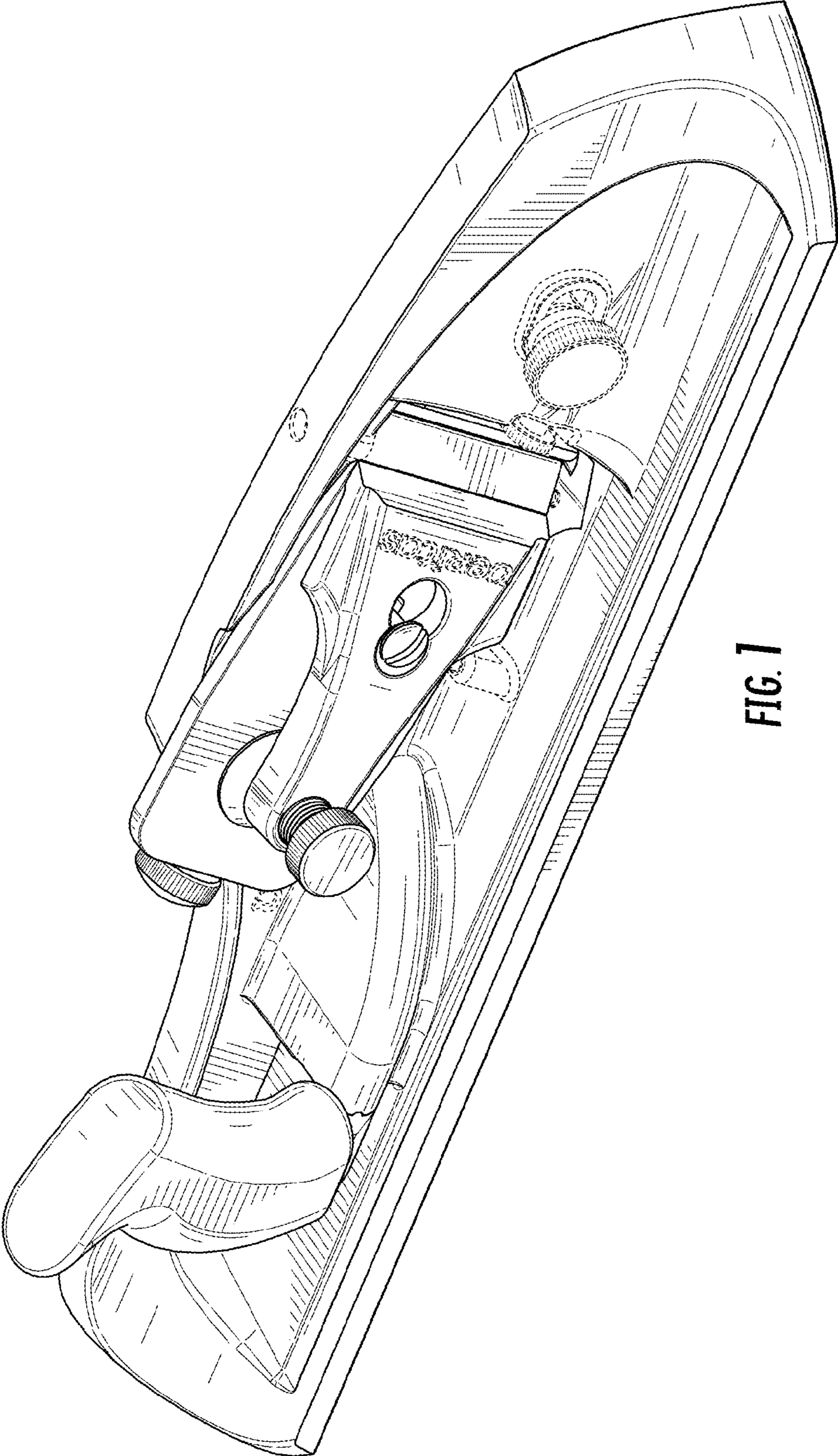


FIG. 1

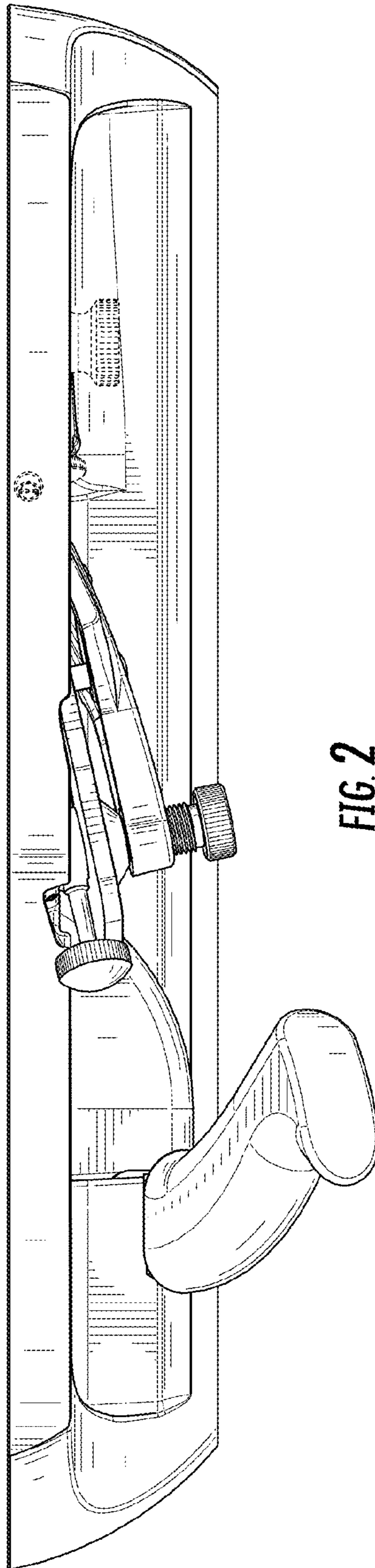


FIG. 2

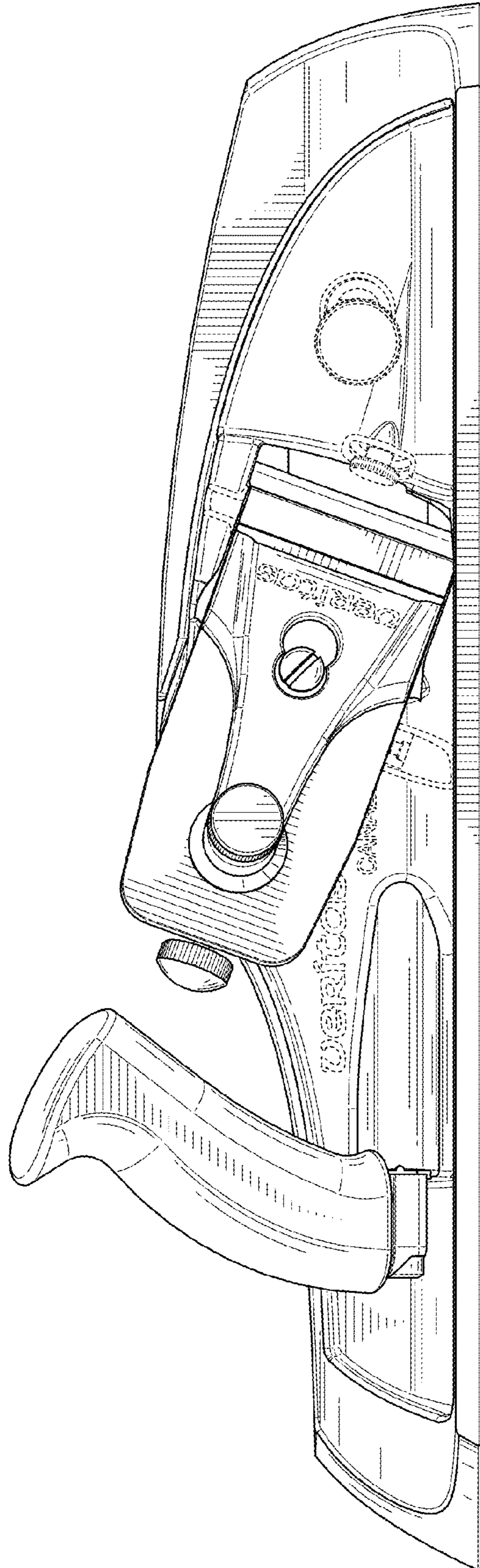


FIG. 3

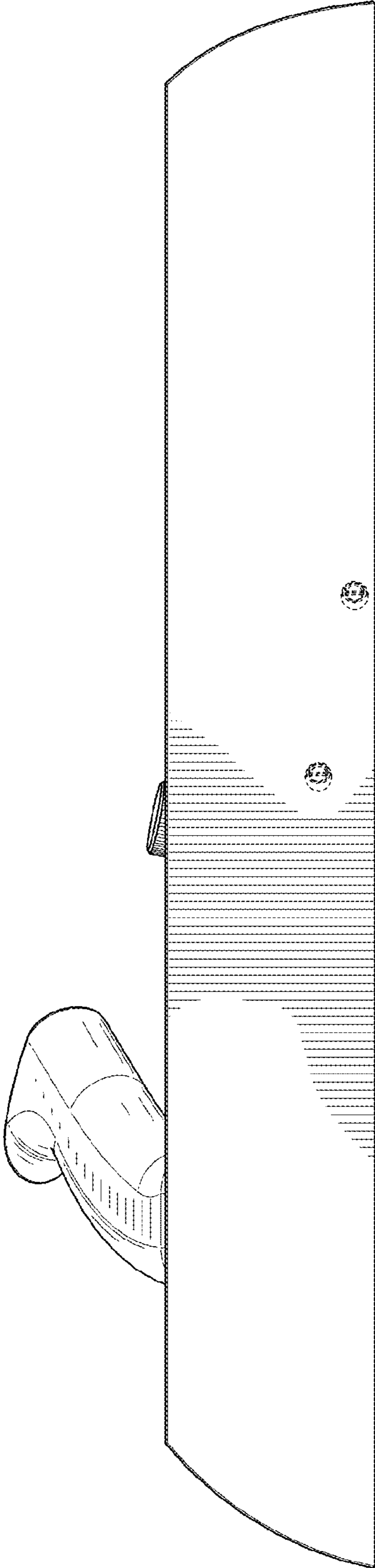


FIG. 4

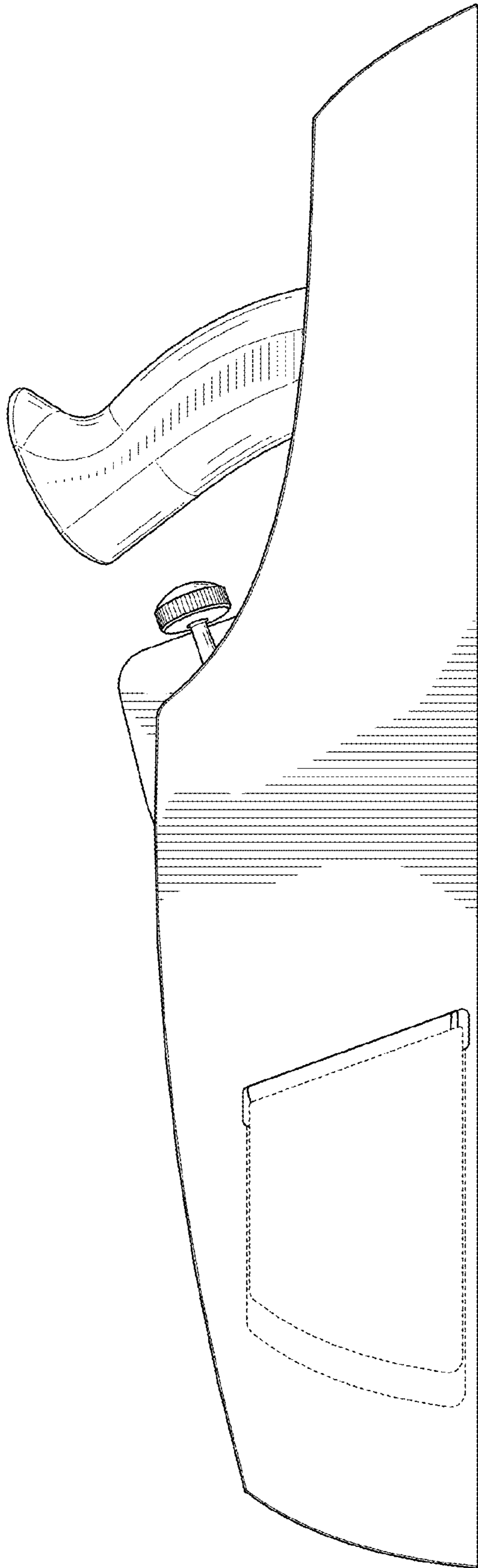


FIG. 5

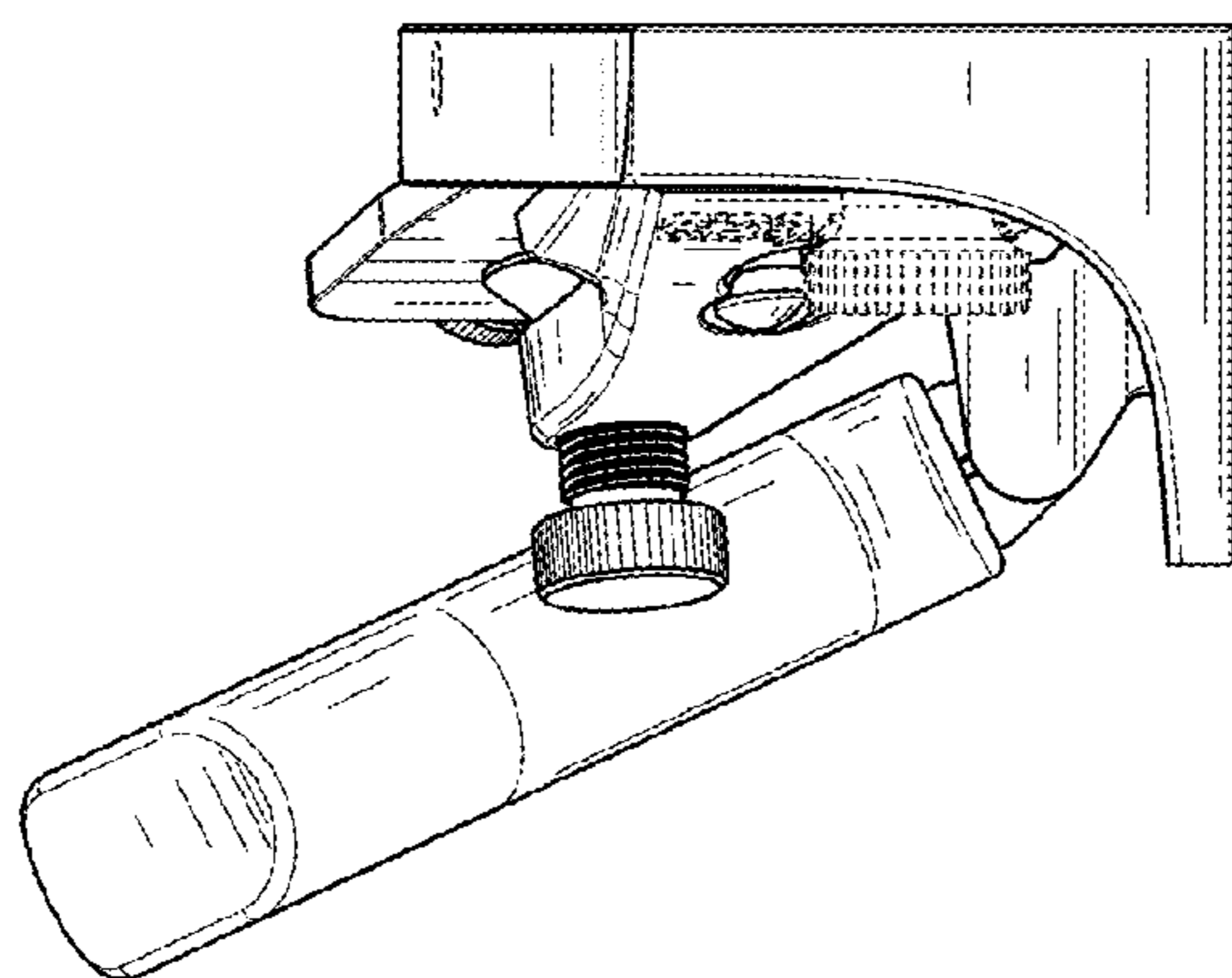


FIG. 6

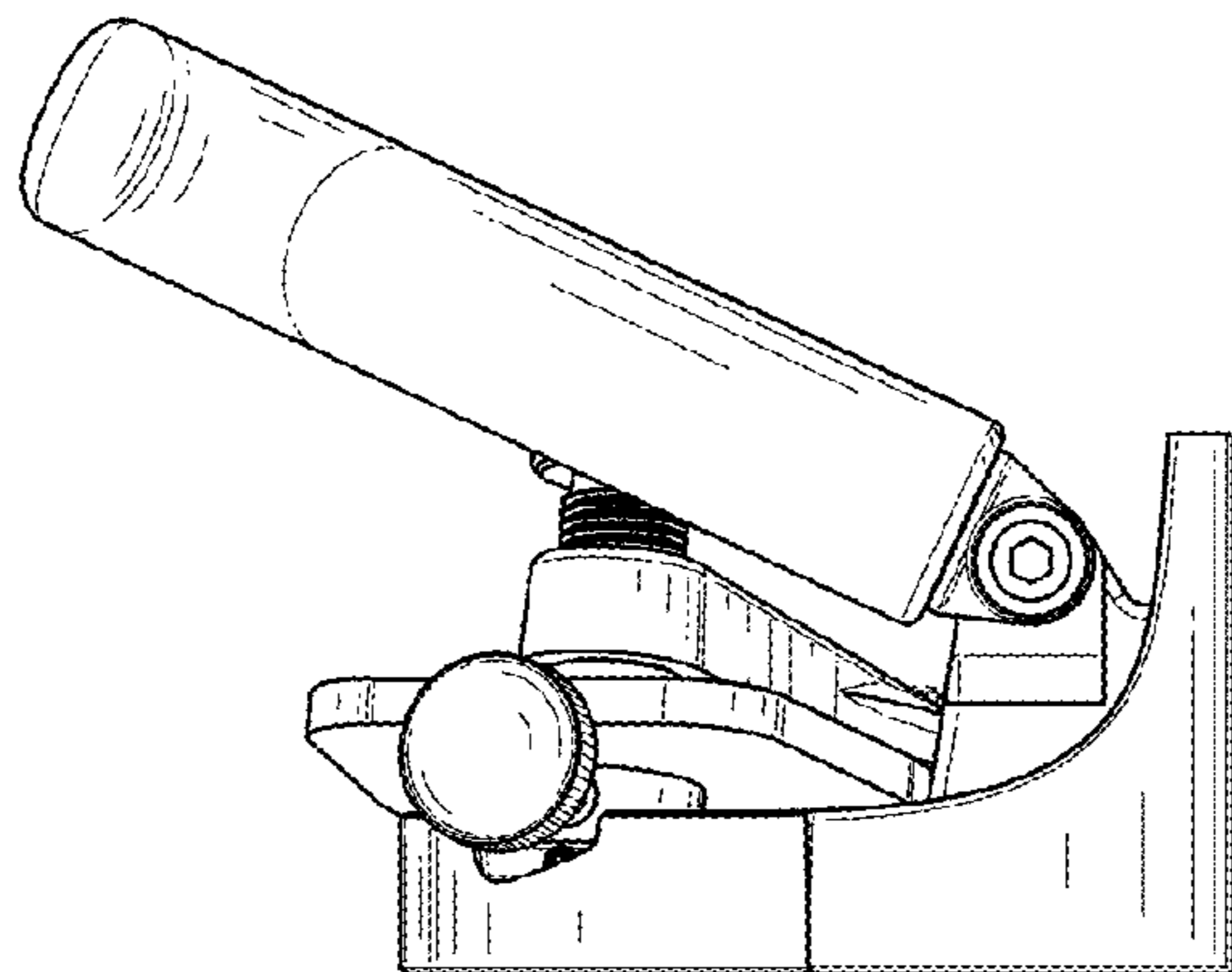


FIG. 7

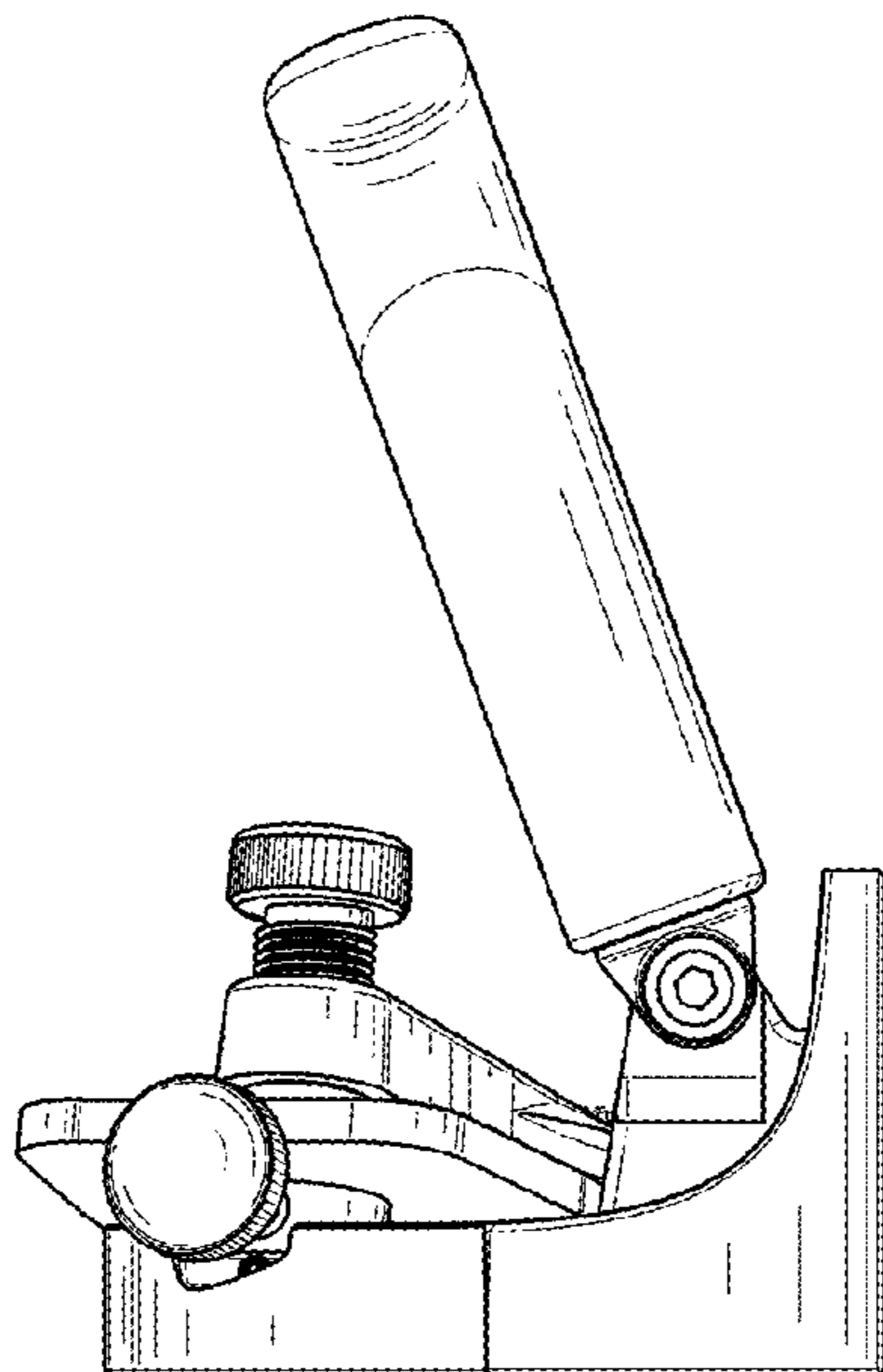


FIG. 8