

US00D730143S

(12) **United States Design Patent**  
**Davis**

(10) **Patent No.:** **US D730,143 S**

(45) **Date of Patent:** **\*\* May 26, 2015**

(54) **BOARD PULLER**

(75) Inventor: **Danny Davis**, Hornersville, MO (US)

(73) Assignee: **Danny Davis**, Hornersville, MO (US)

(\*\*) Term: **14 Years**

(21) Appl. No.: **29/424,687**

(22) Filed: **Jun. 14, 2012**

(51) **LOC (10) Cl.** ..... **08-05**

(52) **U.S. Cl.**  
USPC ..... **D8/88**

(58) **Field of Classification Search**  
CPC ..... B25B 5/12; B25C 11/00; B25F 3/00;  
B27H 1/00; B66F 15/00; E04D 15/00; E04F  
21/22; E04G 23/08  
USPC ..... D8/14, 88, 89; 254/17, 21, 25, 129,  
254/130, 131; 7/166  
See application file for complete search history.

(56) **References Cited**

**U.S. PATENT DOCUMENTS**

1,665,430	A *	4/1928	Arzt	.....	254/17
4,621,791	A *	11/1986	Staskiewicz et al.	.....	254/17
4,821,784	A *	4/1989	Cone	.....	144/381
5,248,127	A *	9/1993	Young	.....	254/15
D353,754	S *	12/1994	Carlisle	.....	D8/14
D353,987	S *	1/1995	Pasto	.....	D8/88
5,382,000	A *	1/1995	Rossman	.....	254/17
D378,187	S *	2/1997	Eddie	.....	D8/88
D397,594	S *	9/1998	Harper	.....	D8/14
D417,600	S *	12/1999	Heatwole	.....	D8/88
6,086,048	A *	7/2000	Owen	.....	254/17
D450,992	S *	11/2001	Abshire	.....	D8/88
D458,104	S *	6/2002	Halstead et al.	.....	D8/88

D485,477	S *	1/2004	Gaskins	.....	D8/14
7,213,797	B2 *	5/2007	Gaskins	.....	254/15
D593,834	S *	6/2009	Johnson	.....	D8/88
8,322,254	B2 *	12/2012	Pasto	.....	81/46
8,371,556	B2 *	2/2013	Price	.....	254/17
8,789,809	B2 *	7/2014	Lehmann	.....	254/17
8,789,810	B2 *	7/2014	Weinreich	.....	254/131

\* cited by examiner

*Primary Examiner* — Philip S Hyder

*Assistant Examiner* — Roselynn Cody

(74) *Attorney, Agent, or Firm* — Thompson Coburn LLP

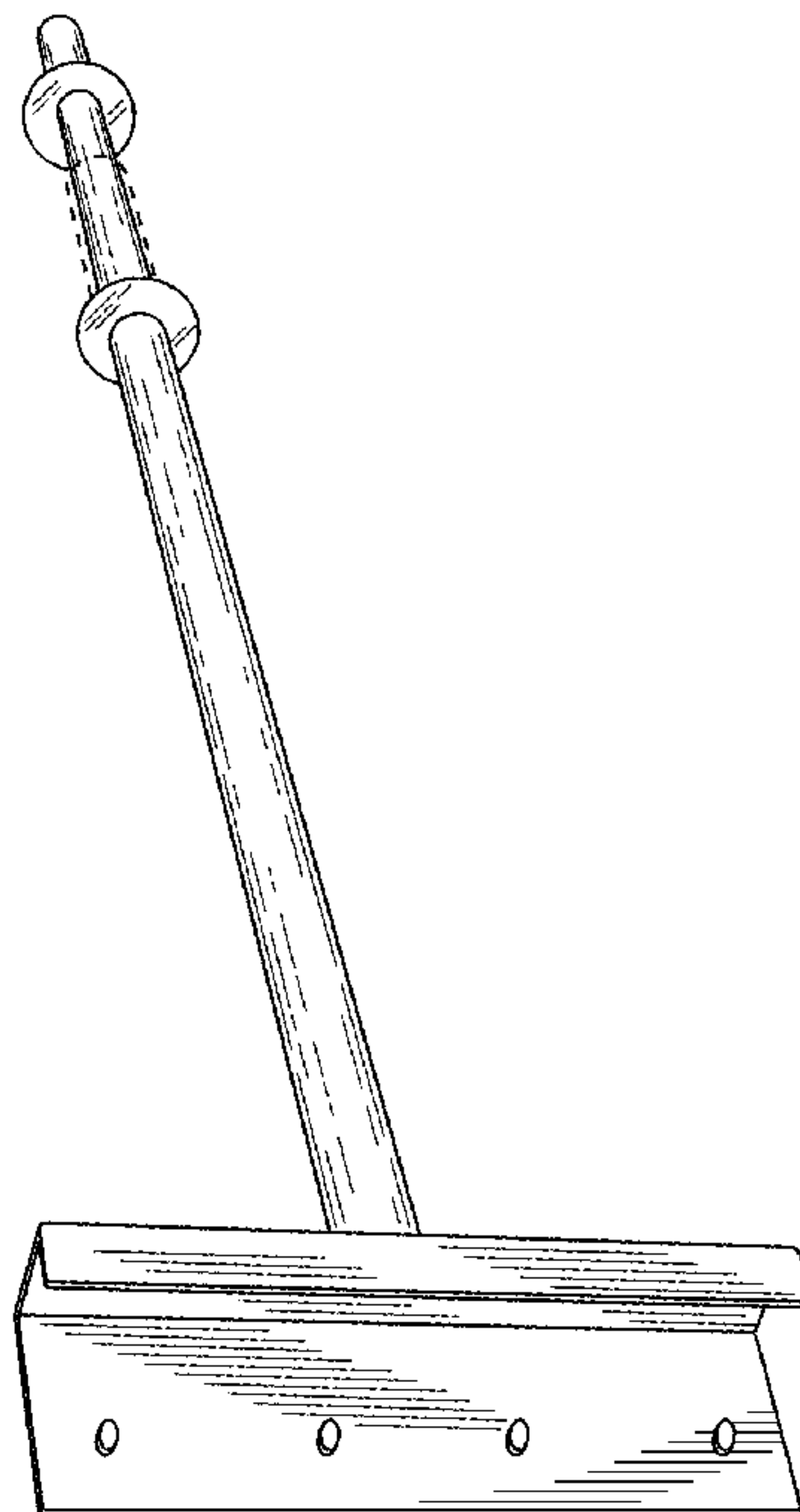
(57) **CLAIM**

The ornamental design for a board puller, as shown and described.

**DESCRIPTION**

FIG. 1 is a perspective view showing the board puller of my new design;  
 FIG. 2 is an alternative perspective view of the board puller of FIG. 1;  
 FIG. 3 is a bottom view of the board puller of FIG. 1;  
 FIG. 4 is a top view of the board puller of FIG. 1;  
 FIG. 5 is a side view of the board puller of FIG. 1, the opposite side view being a mirror image of the view of FIG. 5;  
 FIG. 6 is a partial, enlarged view of the board puller taken along detail view 6-6 of FIG. 5;  
 FIG. 7 is an end view of the board puller of FIG. 1; and,  
 FIG. 8 is another end view of the board puller of FIG. 1, taken from a view opposite of the view of FIG. 7.  
 The dashed lines show a slide for the board puller and form no part of the claimed design.

**1 Claim, 5 Drawing Sheets**



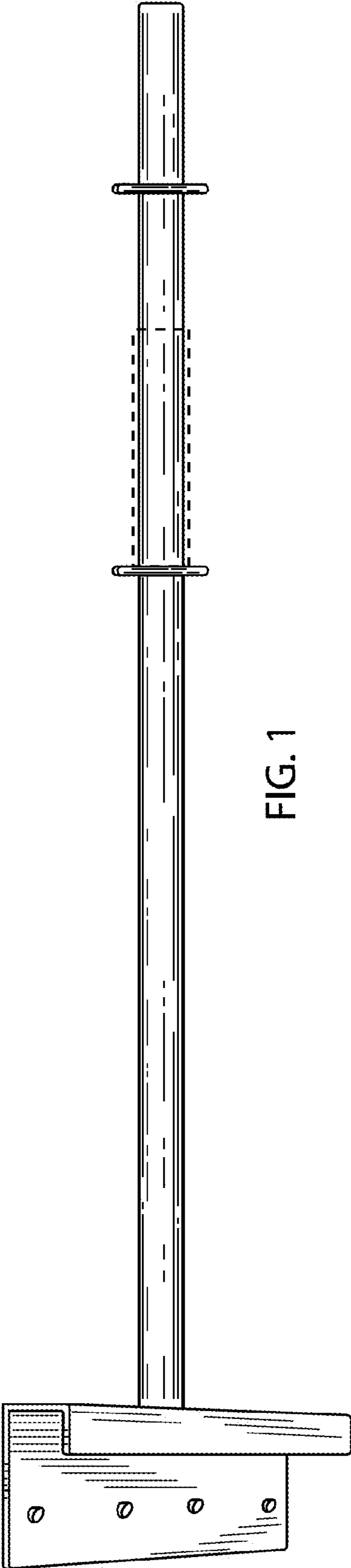


FIG. 1

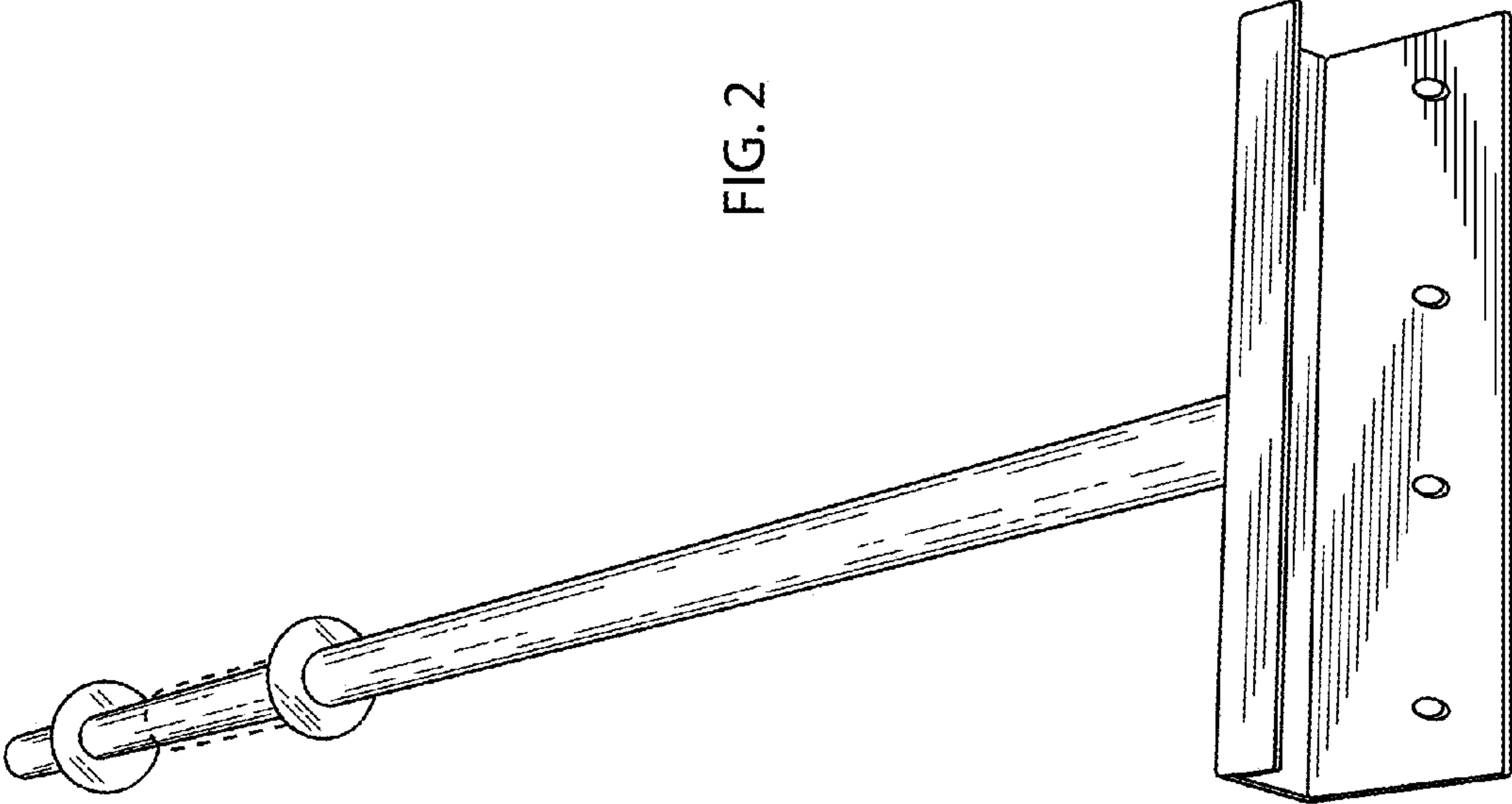


FIG. 2

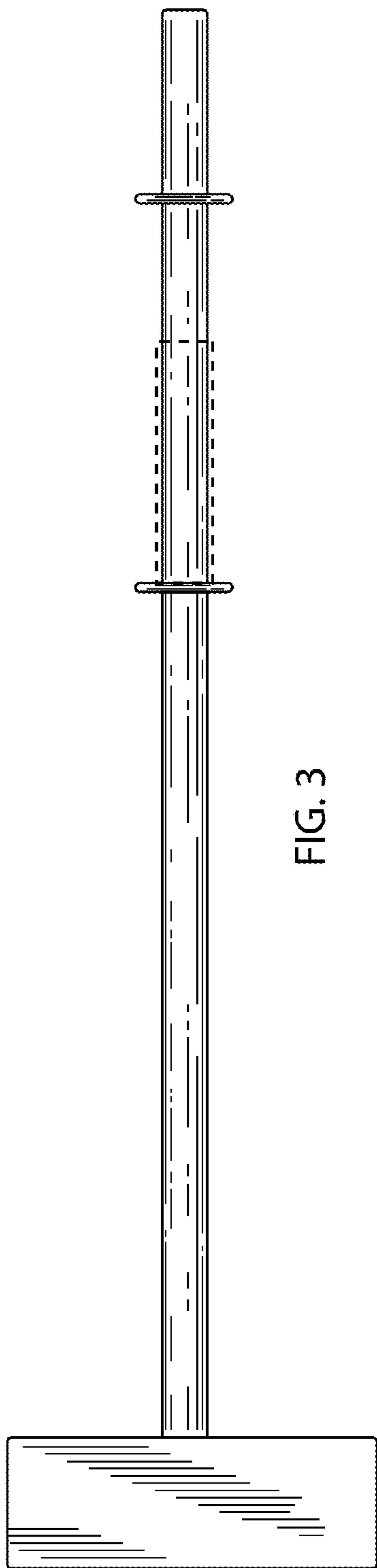


FIG. 3

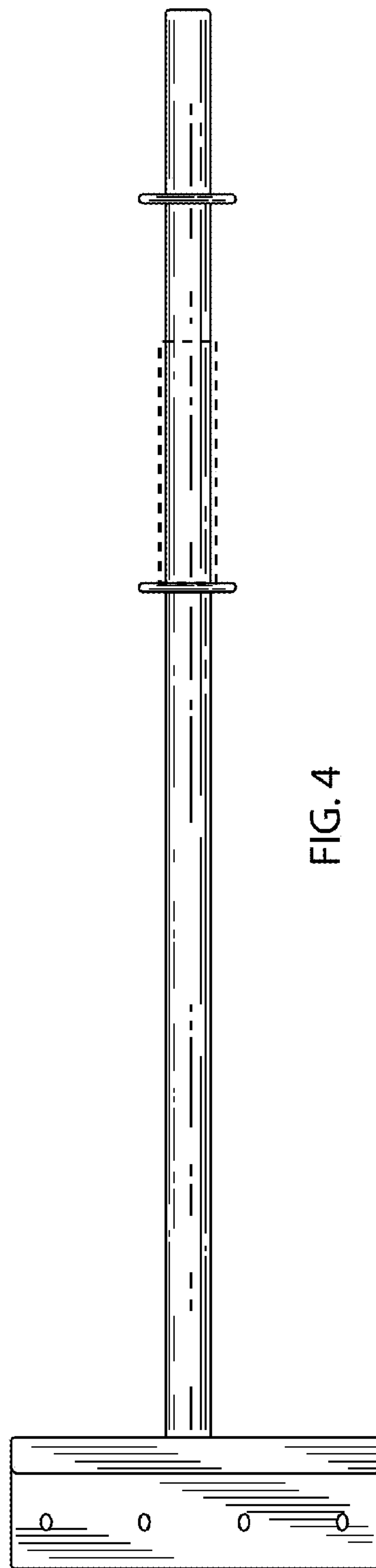


FIG. 4

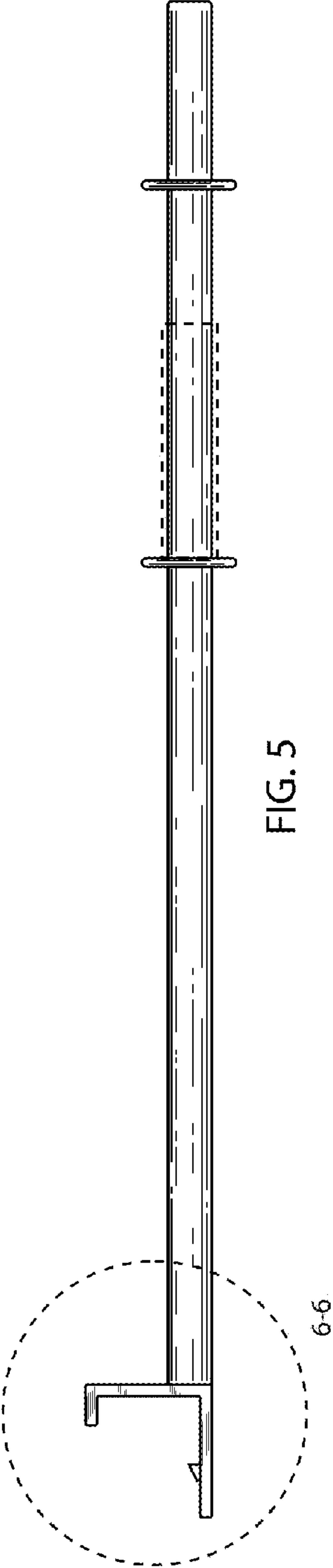


FIG. 5

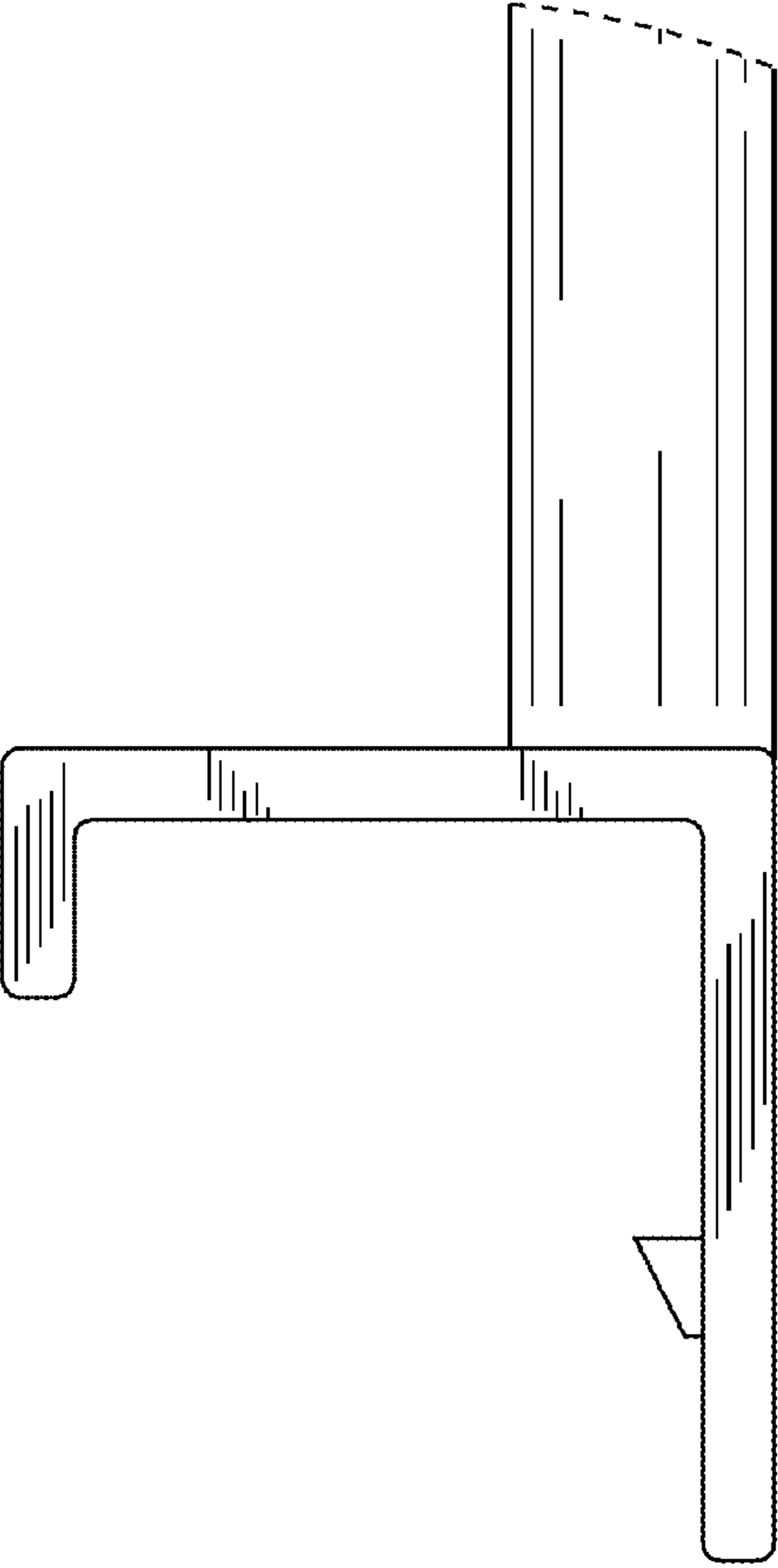


FIG. 6

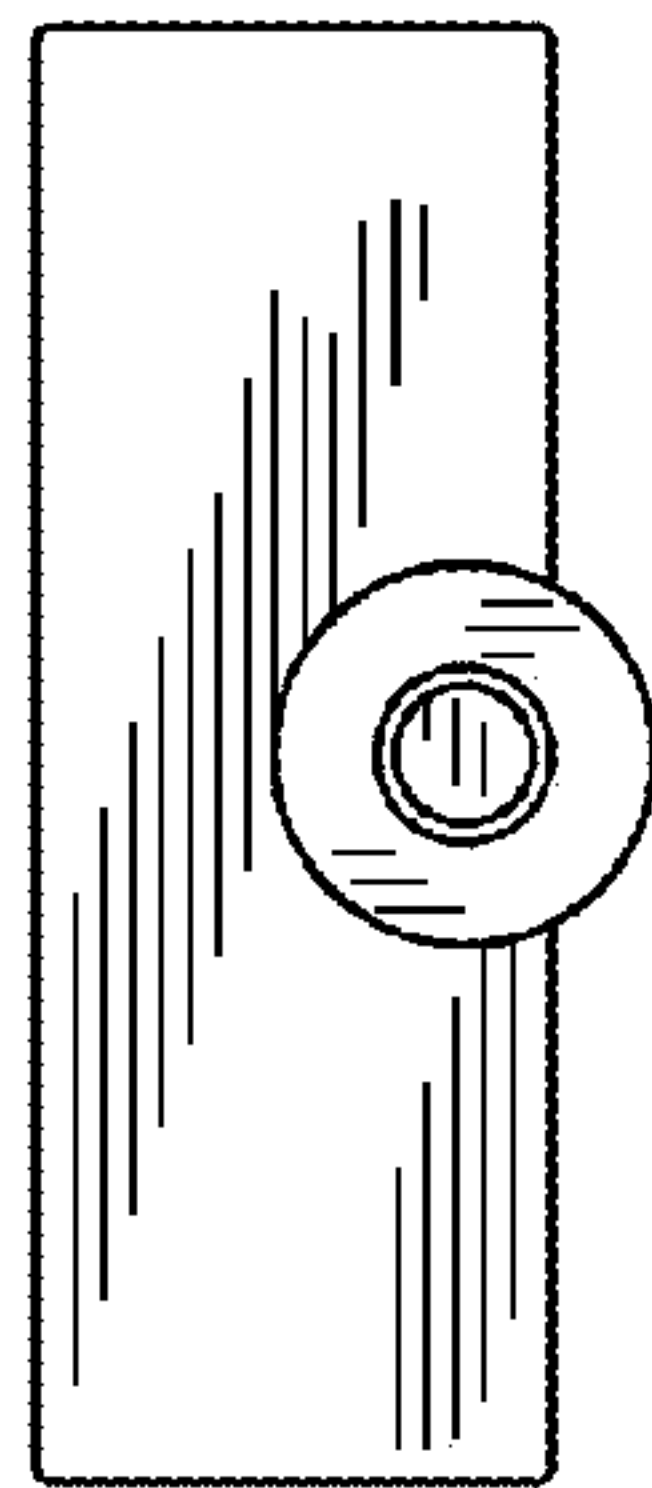


FIG. 7

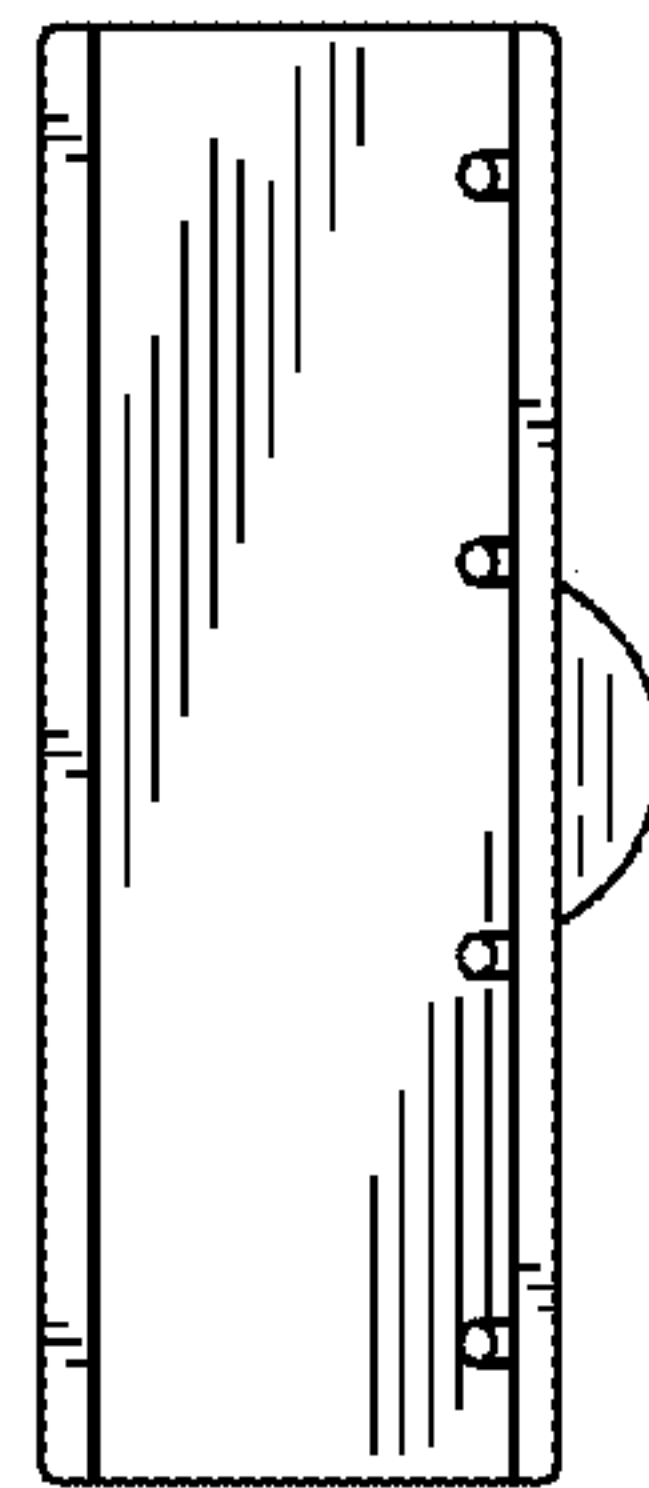


FIG. 8