



US00D730141S

(12) **United States Design Patent**
Moss et al.

(10) **Patent No.:** **US D730,141 S**
(45) **Date of Patent:** **** May 26, 2015**

- (54) **SHEAR ACCESSORY**
- (71) Applicant: **BLACK & DECKER INC.**, Newark, DE (US)
- (72) Inventors: **Darren B. Moss**, York, PA (US); **Jeff Akins**, Towson, MD (US)
- (73) Assignee: **BLACK & DECKER INC.**, Newark, DE (US)
- (**) Term: **14 Years**
- (21) Appl. No.: **29/499,500**
- (22) Filed: **Aug. 15, 2014**
- (51) **LOC (10) Cl.** **08-05**
- (52) **U.S. Cl.**
USPC **D8/70; D15/140**
- (58) **Field of Classification Search**
CPC B23D 29/00; B23D 29/005; B26B 15/00
USPC D8/70, 71, 85, 86, 90, 91; D15/139, D15/140; 81/429; 175/320, 324, 393, 415; 279/60-64, 145, 157, 901-902; 299/33; 408/239 R
See application file for complete search history.

4,748,744 A	6/1988	Turner	
5,224,231 A	7/1993	Nacar	
5,371,947 A	12/1994	Dickey et al.	
5,409,243 A	4/1995	Shadeck et al.	
5,465,983 A	11/1995	Owens et al.	
5,566,768 A	10/1996	Bourke	
5,595,250 A	1/1997	Bourke	
5,607,265 A	3/1997	Lane	
5,755,293 A	5/1998	Bourke	
5,765,839 A	6/1998	Rohm	
5,901,447 A *	5/1999	Dunning	30/228
5,992,024 A *	11/1999	Rogers	30/228
6,178,643 B1 *	1/2001	Erbrick et al.	30/228
D487,386 S *	3/2004	Clivio	D8/70

(Continued)

OTHER PUBLICATIONS

“Turbo Shear Power! New Streamlined Design with optional carrying case.” Malco catalog., May 31, 2011 [online], [retrieved on Mar. 18, 2015]. Retrieved from the Internet <URL: http://malcoproducts.com/images/products/pdfs/14880_turboshear_case_catalog_suppl.pdf>.*

Primary Examiner — Phillip S Hyder
Assistant Examiner — Darlington Ly
(74) *Attorney, Agent, or Firm* — Scott B. Markow

(57) **CLAIM**
The ornamental design for a shear accessory, as shown and described.

DESCRIPTION

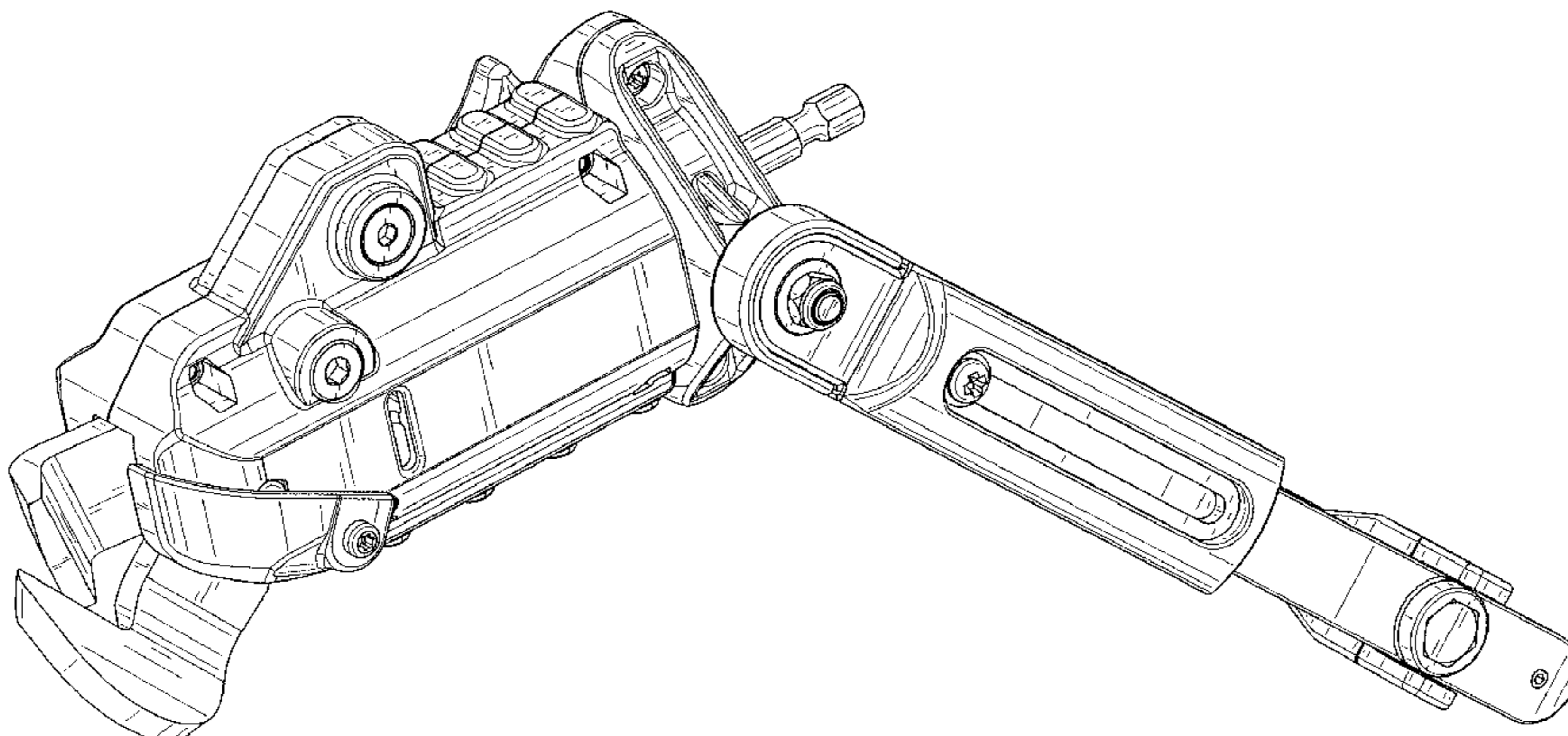
FIG. 1 is a top, front, and left-side perspective view of the shear accessory;
FIG. 2 is a top, rear, and right-side perspective view thereof;
FIG. 3 is a left-side elevation view thereof;
FIG. 4 is a right-side elevation view thereof;
FIG. 5 is a top plan view thereof;
FIG. 6 is a bottom plan view thereof;
FIG. 7 is a rear elevation view thereof; and,
FIG. 8 is a front elevation view thereof.

1 Claim, 8 Drawing Sheets

(56) **References Cited**

U.S. PATENT DOCUMENTS

1,898,956 A	2/1933	Harvie	
2,256,779 A	9/1941	McHenry	
2,635,335 A	4/1953	James	
2,760,265 A	8/1956	Draenert	
2,840,904 A	7/1958	Hutchins	
3,025,599 A	3/1962	Sauers	
D197,987 S *	4/1964	Docken	D8/68
3,130,759 A	4/1964	Mohr	
3,585,719 A	6/1971	Kivela	
3,654,700 A	4/1972	Pawloski	
3,876,015 A	4/1975	Kivela	
4,173,069 A	11/1979	Sidenstick	
4,682,416 A *	7/1987	Stolfa	30/228



(56)

References Cited

U.S. PATENT DOCUMENTS

D488,695 S *	4/2004	Peterson	D8/70	7,093,365 B2	8/2006	Peterson	
6,776,150 B2 *	8/2004	Gaidjergis et al.	125/23.01	D559,647 S *	1/2008	Watson D8/69
6,860,488 B2	3/2005	Mack			7,464,473 B2 *	12/2008	Fladgard et al. 30/228
D512,623 S *	12/2005	Huang	D8/70	7,971,360 B2	7/2011	Clark et al.	
D513,953 S *	1/2006	Peterson	D8/70	8,047,100 B2	11/2011	King	
					2005/0028391 A1 *	2/2005	Peterson 30/500
					2006/0112566 A1	6/2006	Peterson et al.	
					2008/0222898 A1	9/2008	Staples	

* cited by examiner

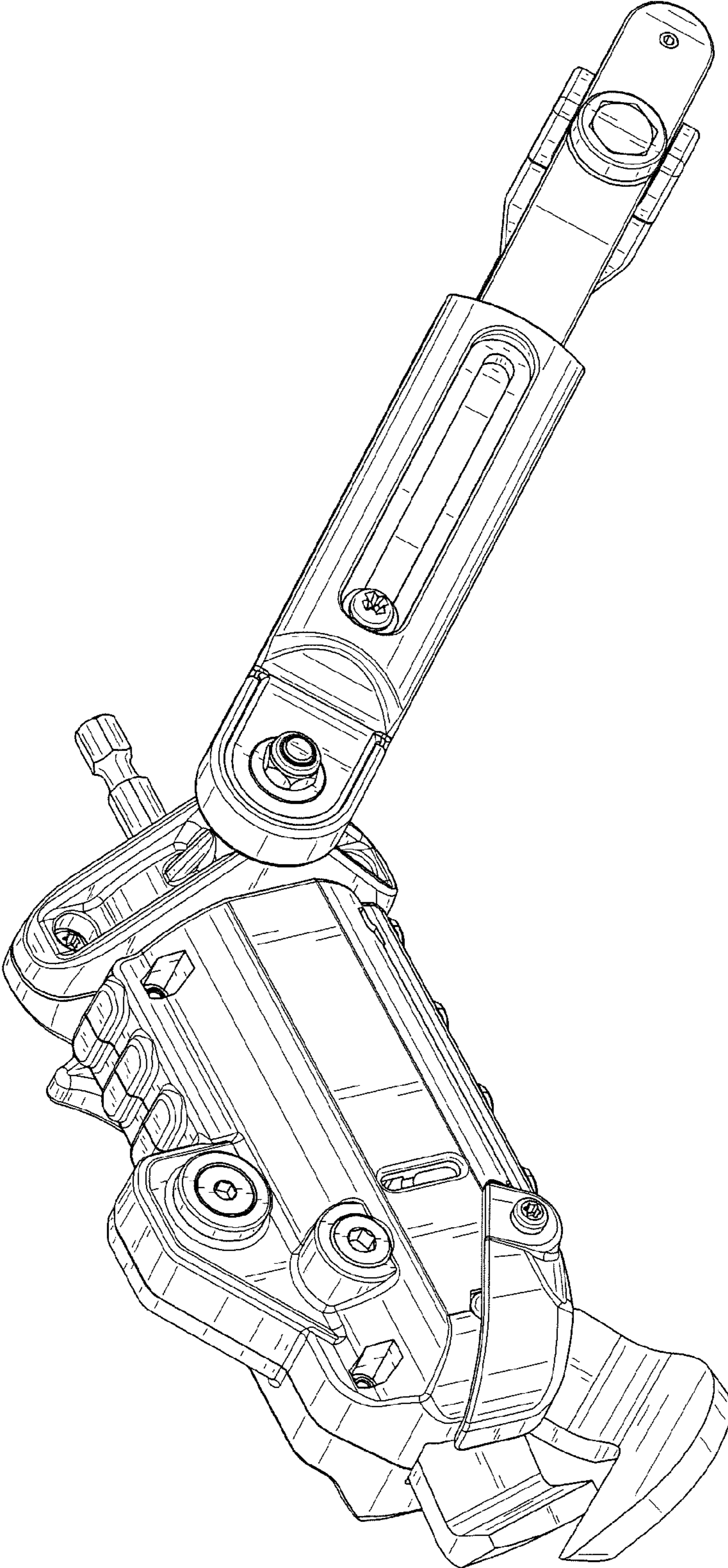


FIG. 1

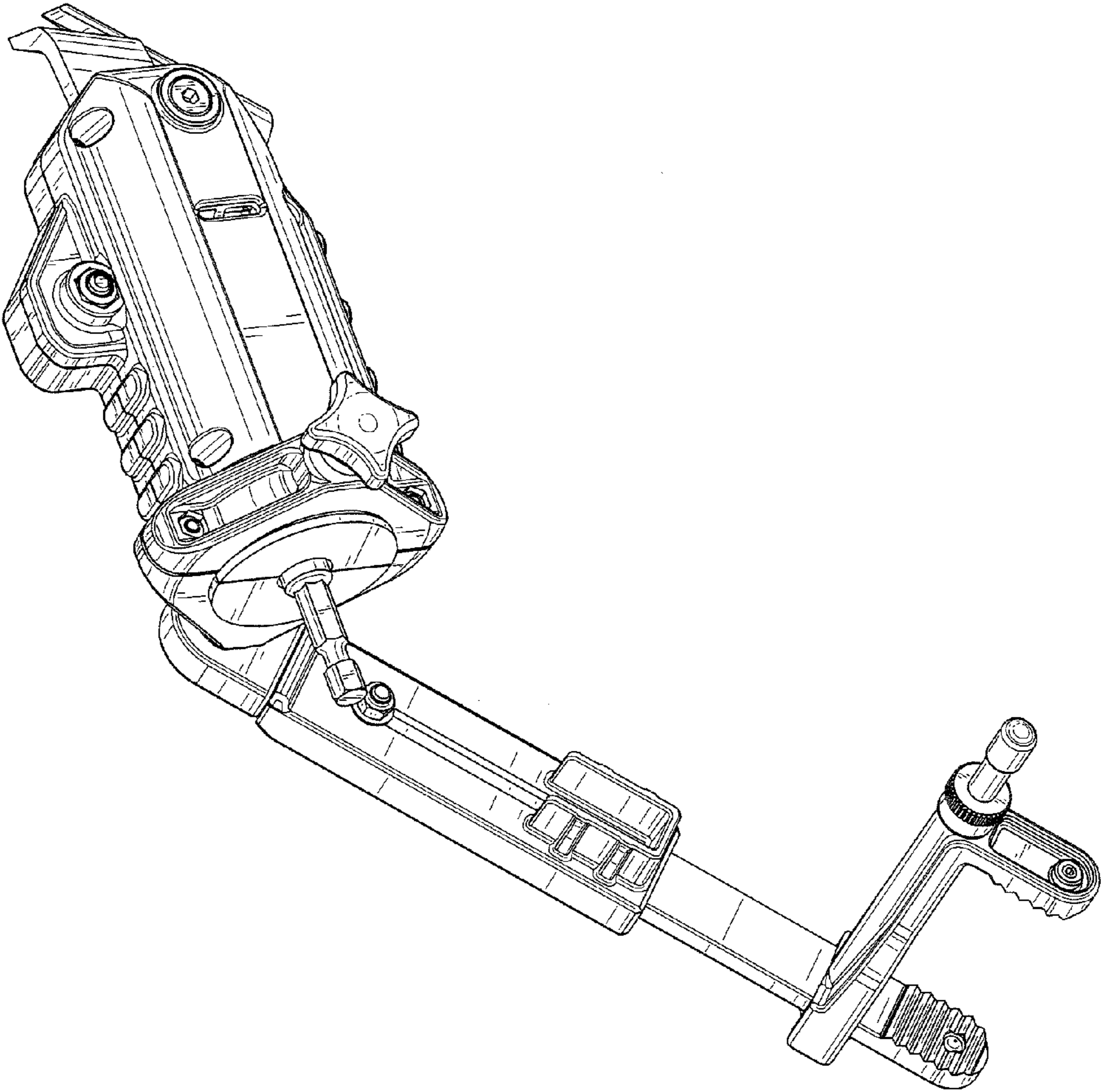


FIG. 2

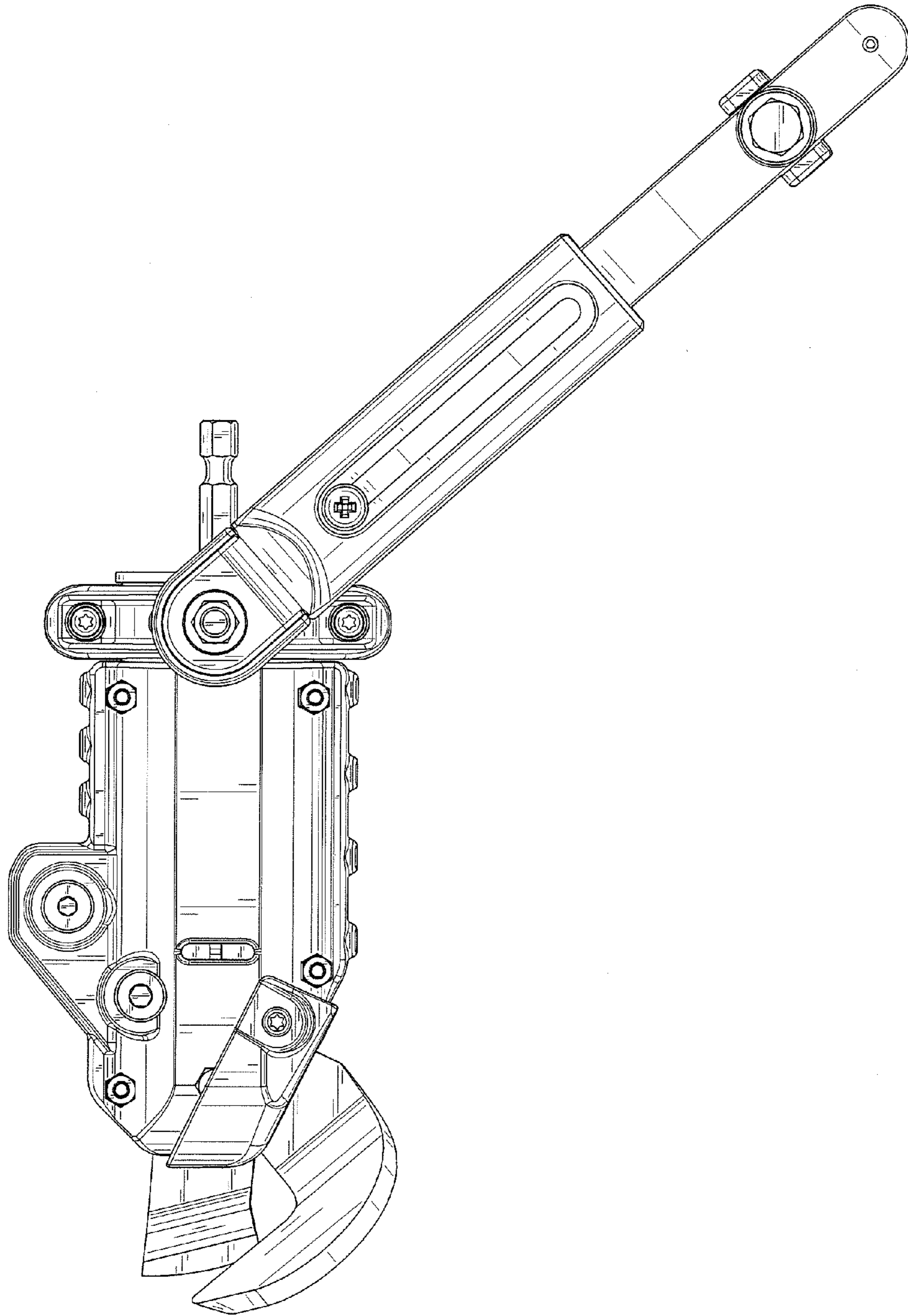


FIG. 3

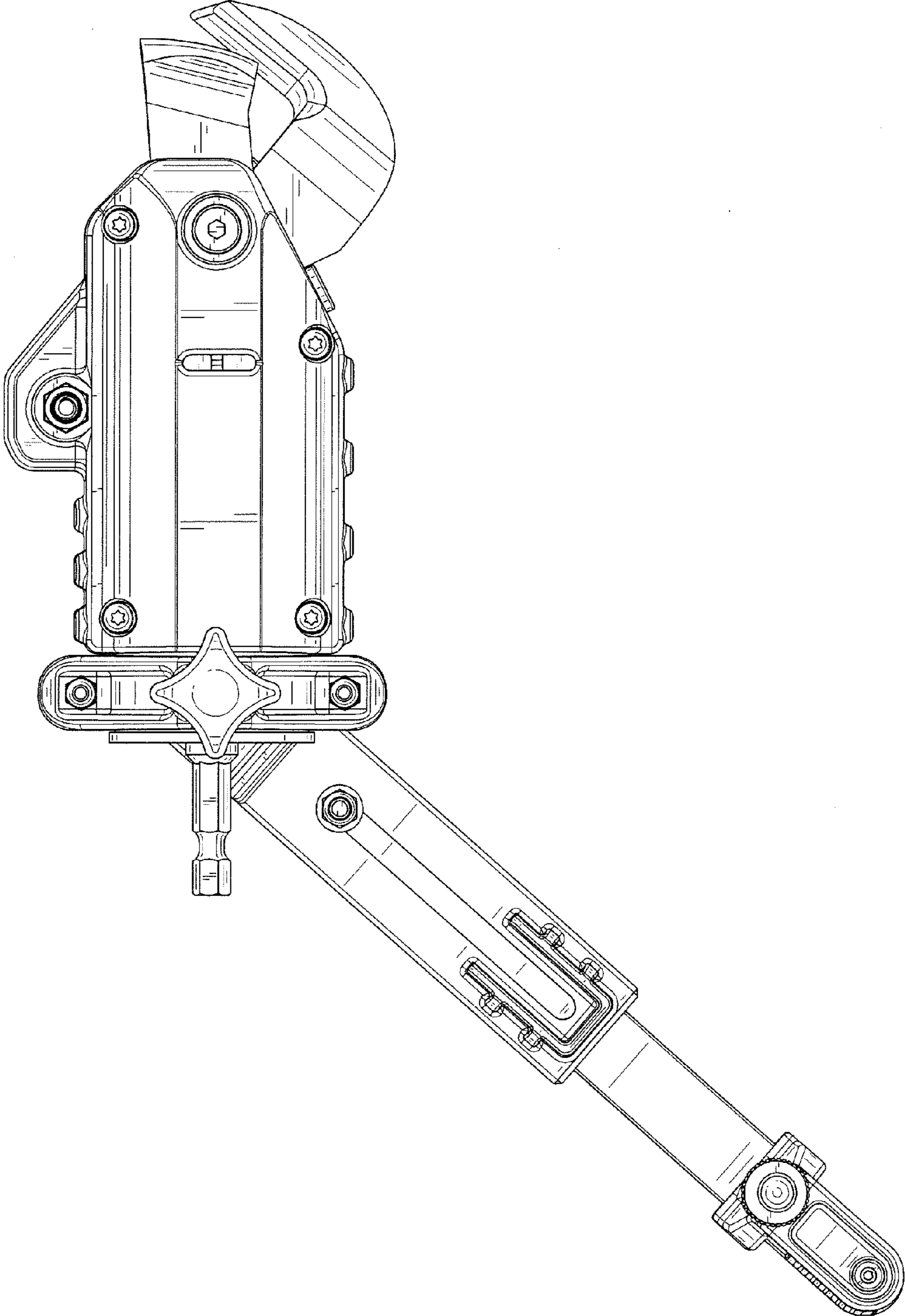


FIG. 4

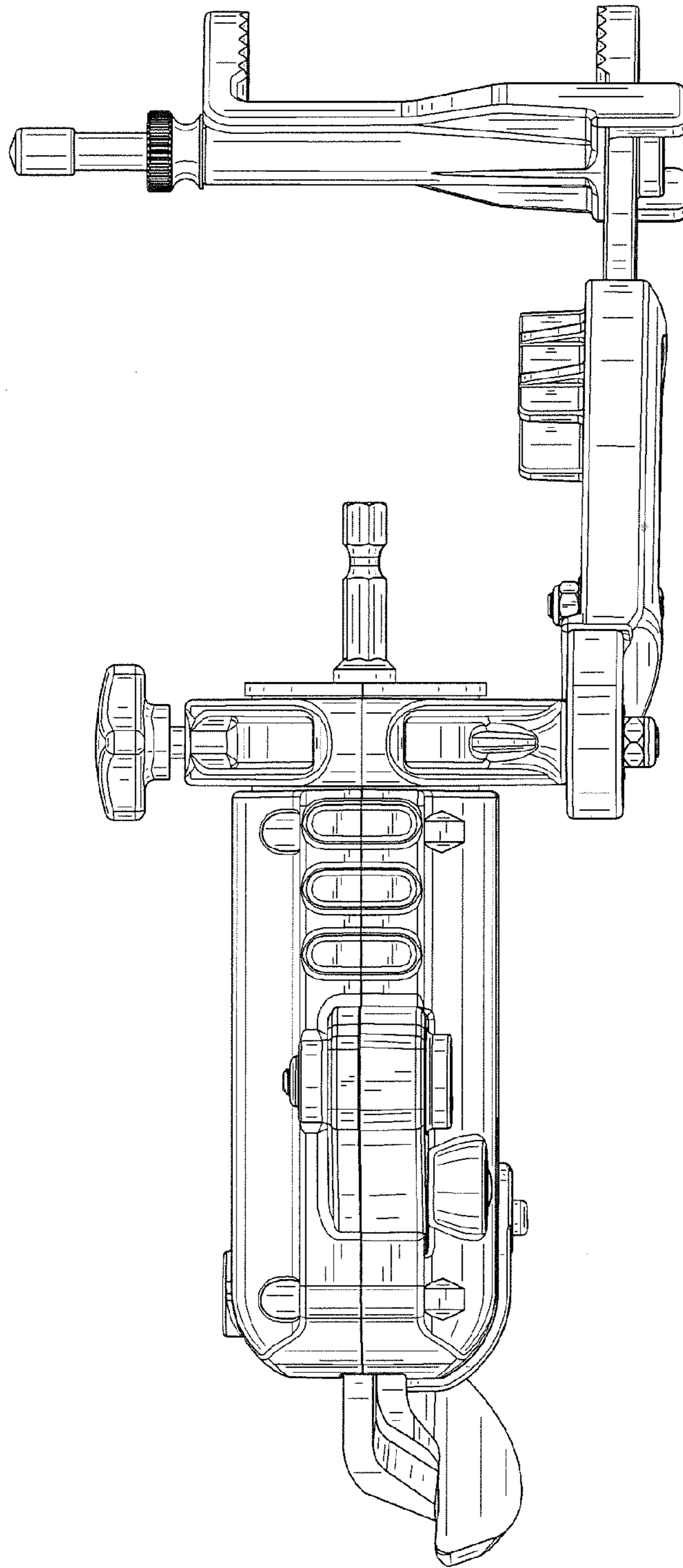


FIG. 5

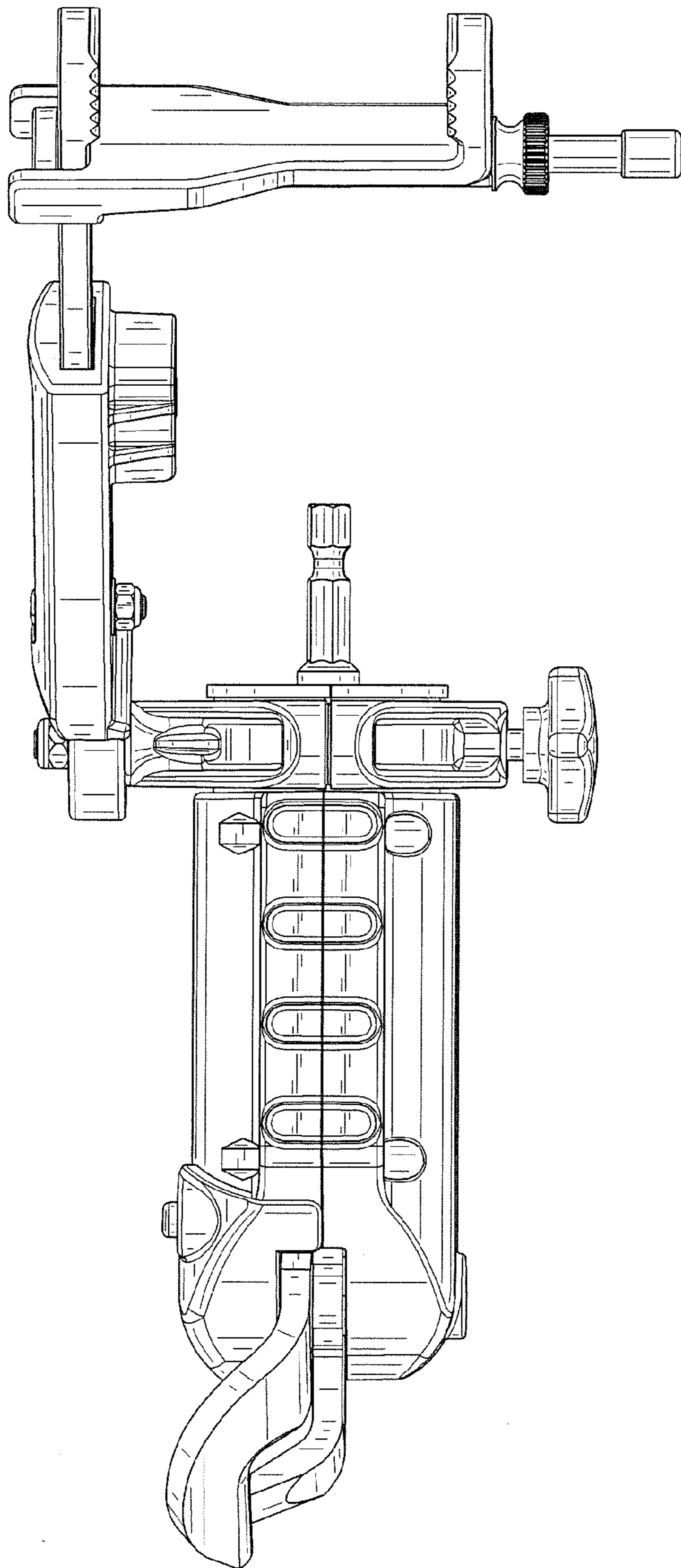


FIG. 6

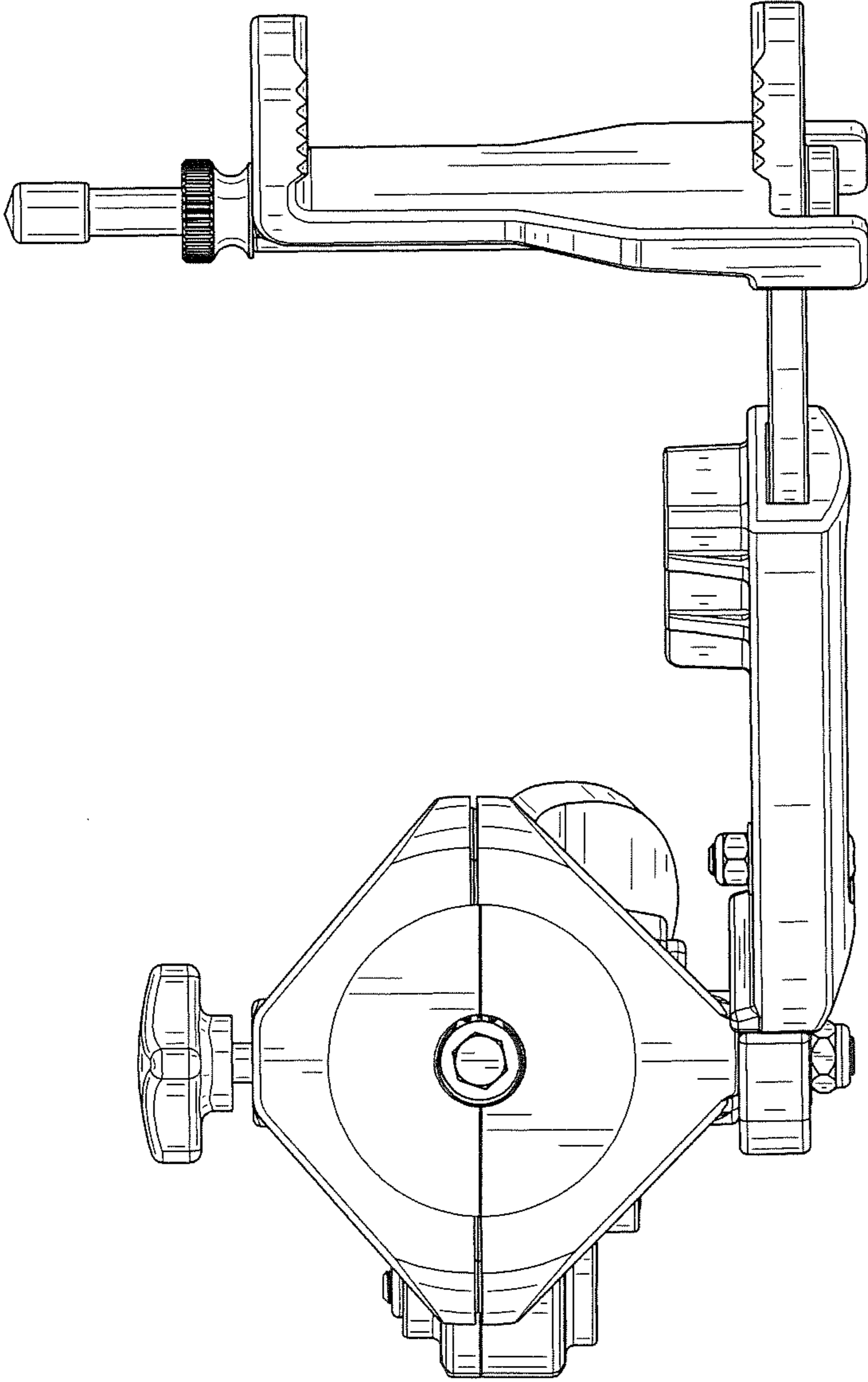


FIG. 7

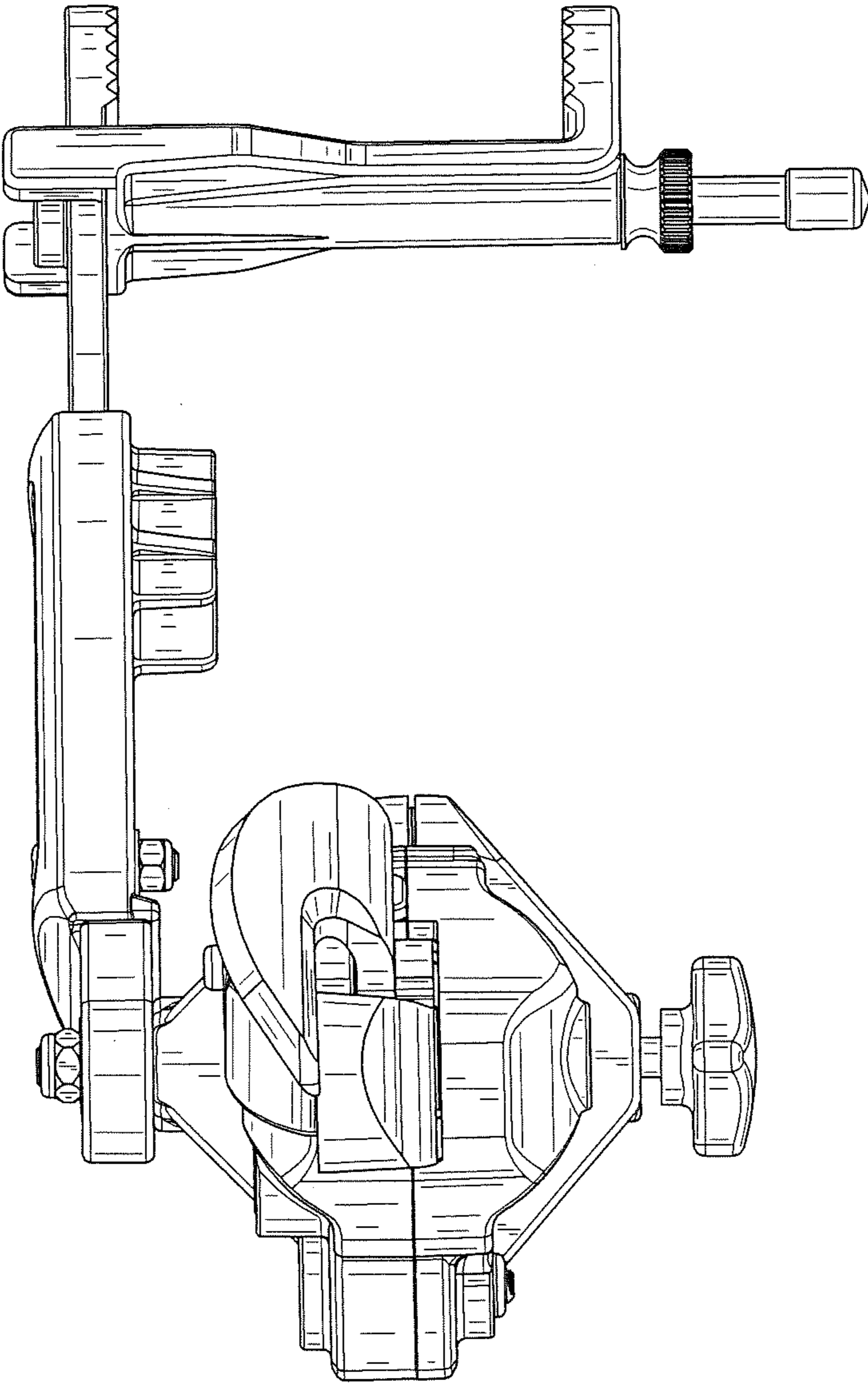


FIG. 8