

US00D730140S

(12) **United States Design Patent**
Barezzani et al.

(10) **Patent No.:** **US D730,140 S**
(45) **Date of Patent:** **** May 26, 2015**

(54) **CRIMPING, CUTTING, OR PUNCHING TOOL**

(71) Applicant: **Cembre S.p.A.**, Brescia (IT)

(72) Inventors: **Gualtiero Barezzani**, Concesio (IT);
Samuel Veglianti, Ghedi (IT)

(73) Assignee: **Cembre S.p.A.**, Brescia (IT)

(**) Term: **14 Years**

(21) Appl. No.: **29/484,701**

(22) Filed: **Mar. 12, 2014**

(30) **Foreign Application Priority Data**

Sep. 17, 2013 (EM) 002311274

(51) **LOC (10) Cl.** **08-03**

(52) **U.S. Cl.**
USPC **D8/68**

(58) **Field of Classification Search**
CPC B62D 23/005; B62D 29/00; B62D 29/043;
B62D 31/00; B62D 33/046; B62D 35/00;
B62D 35/001; B60Q 1/0005
USPC D8/60, 61, 67, 68; 81/57, 57.4, 57.11,
81/57.14, 57.26, 429, 464, 469, 489;
173/48, 109, 170, 176, 178, 181, 217;
408/124, 125; 362/119; 475/149
See application file for complete search history.

(56) **References Cited**

U.S. PATENT DOCUMENTS

5,195,354 A * 3/1993 Yasui et al. 72/453.03
D356,478 S * 3/1995 Heskey et al. D8/61
D387,961 S * 12/1997 Yasui et al. D8/68
6,718,870 B1 * 4/2004 Frenken 100/266
D593,828 S * 6/2009 Pond et al. D8/68
7,578,159 B2 * 8/2009 Bowles et al. 72/409.01
D657,221 S * 4/2012 Isobe et al. D8/61

D668,922 S * 10/2012 Hyma et al. D8/61
8,342,001 B2 * 1/2013 Zhang 72/453.16
D709,748 S * 7/2014 Frenken D8/68
D710,173 S * 8/2014 Frenken D8/68
2009/0313820 A1 * 12/2009 Roman et al. 29/863
2010/0000288 A1 * 1/2010 Barezzani et al. 72/453.15

OTHER PUBLICATIONS

“Cembre Cordless Hydraulic Crimping Tool B500.” Cembre., May 6, 2014 [online], [retrieved on Oct. 22, 2014]. Retrieved from the Internet <URL: <http://www.amog.com/tech/156327-adobe-photoshop-touch-smartphones/>>.*
GreenleeDemo. “Greenlee Gator Grip Demo Video.” YouTube., Oct. 24, 2011 [online], [retrieved on Oct. 22, 2014]. Retrieved from the Internet <URL: <https://www.youtube.com/watch?v=bPAiGW6BMqo>>.*

* cited by examiner

Primary Examiner — Philip S Hyder

Assistant Examiner — Darlington Ly

(74) *Attorney, Agent, or Firm* — Dickstein Shapiro LLP

(57) **CLAIM**

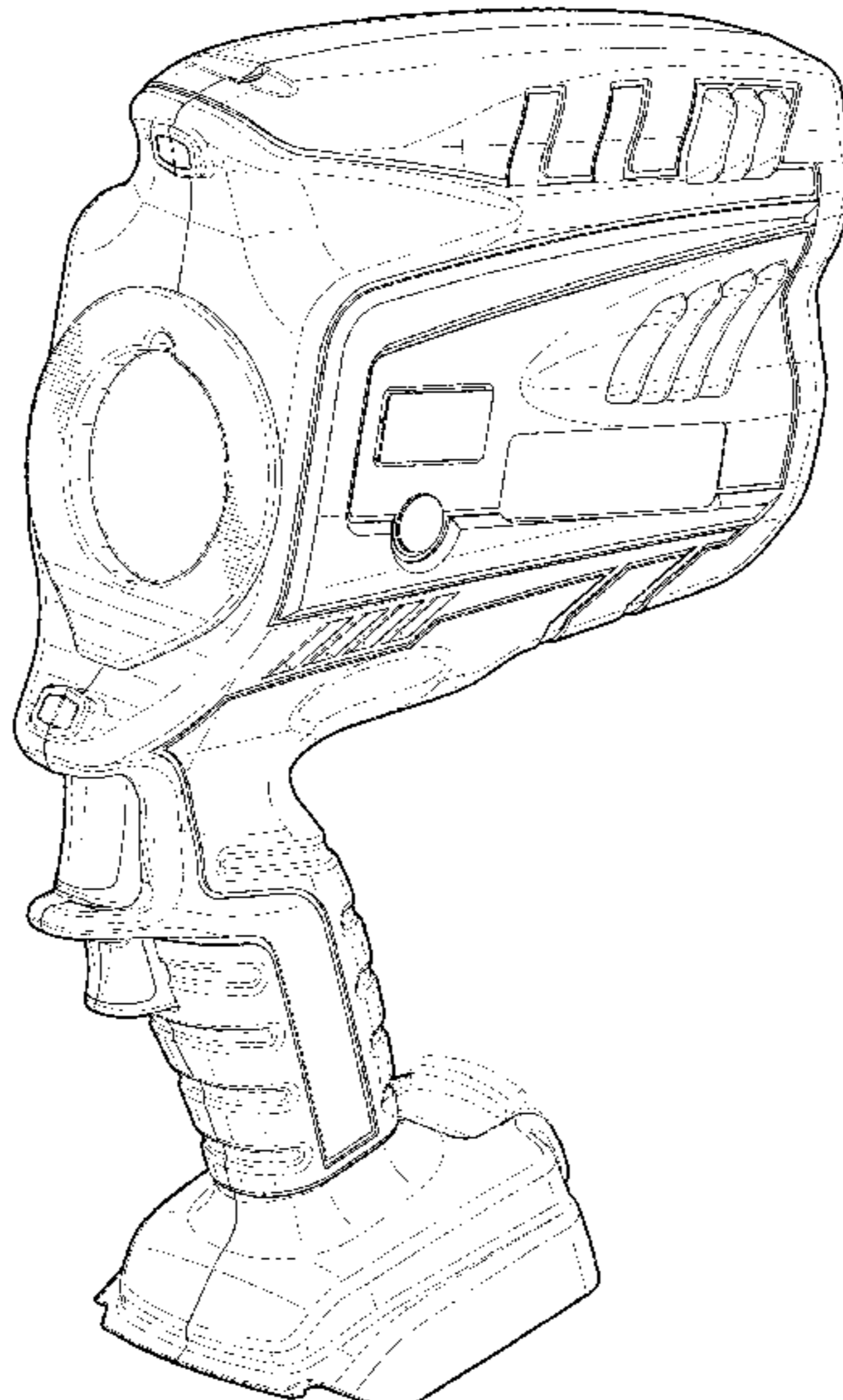
The ornamental design for a crimping, cutting, or punching tool, as shown and described.

DESCRIPTION

FIG. 1 is a front, left-side, and top perspective view of the crimping, cutting, or punching tool of the present invention; FIG. 2 is a front view thereof; FIG. 3 is a back view thereof; FIG. 4 is a left side view thereof; FIG. 5 is a right side view thereof; FIG. 6 is a top view thereof; and, FIG. 7 is a bottom view thereof.

The broken lines shown in the drawings illustrate portions of the crimping, cutting, or punching tool that form no part of the claimed design.

1 Claim, 5 Drawing Sheets



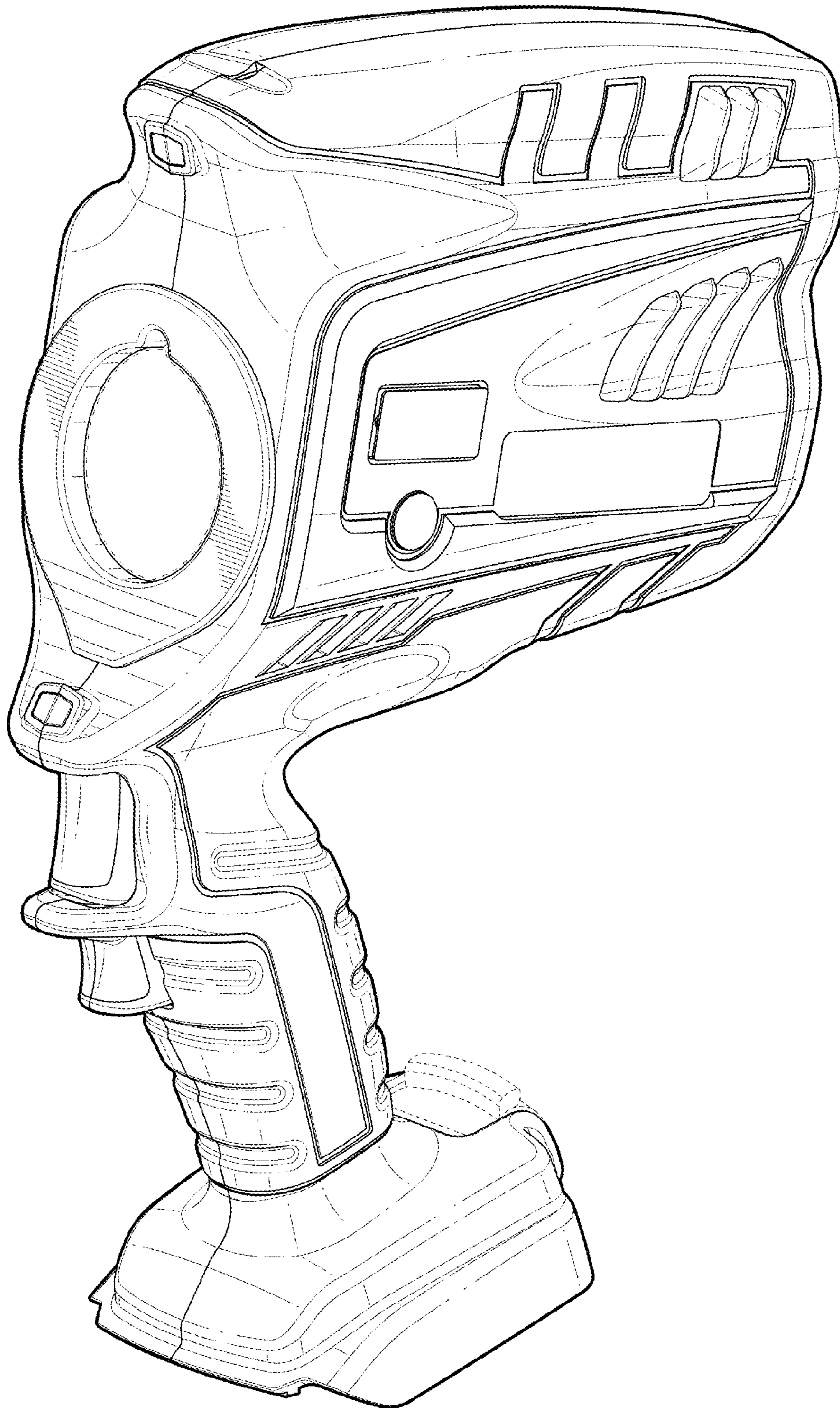


FIG. 1

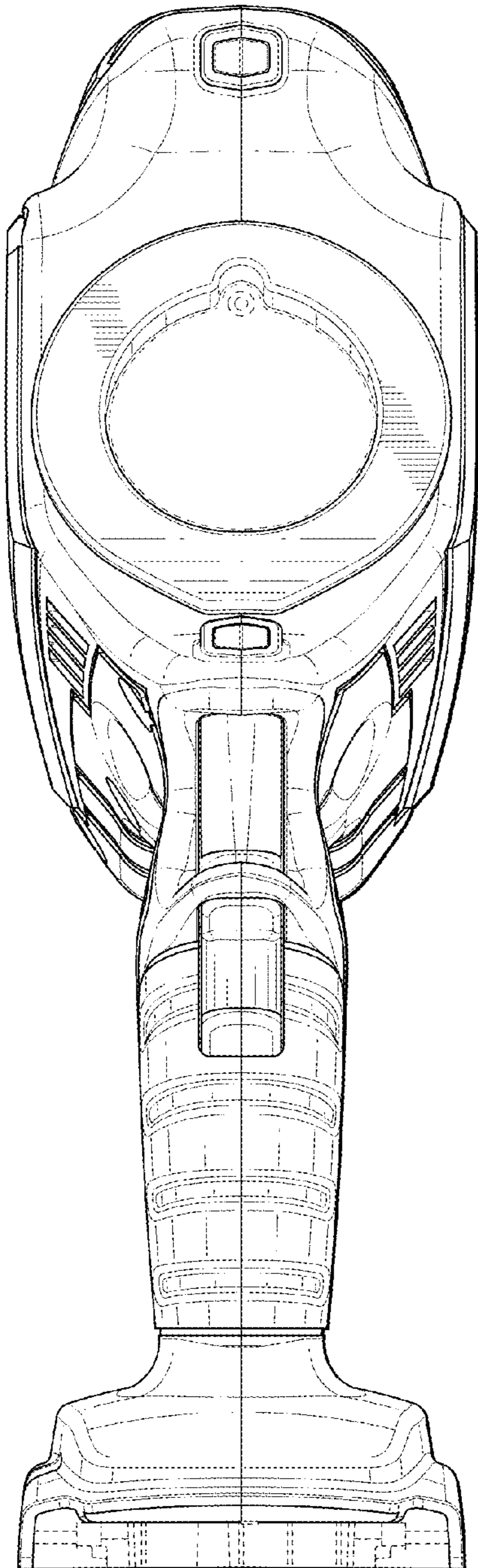


FIG. 2

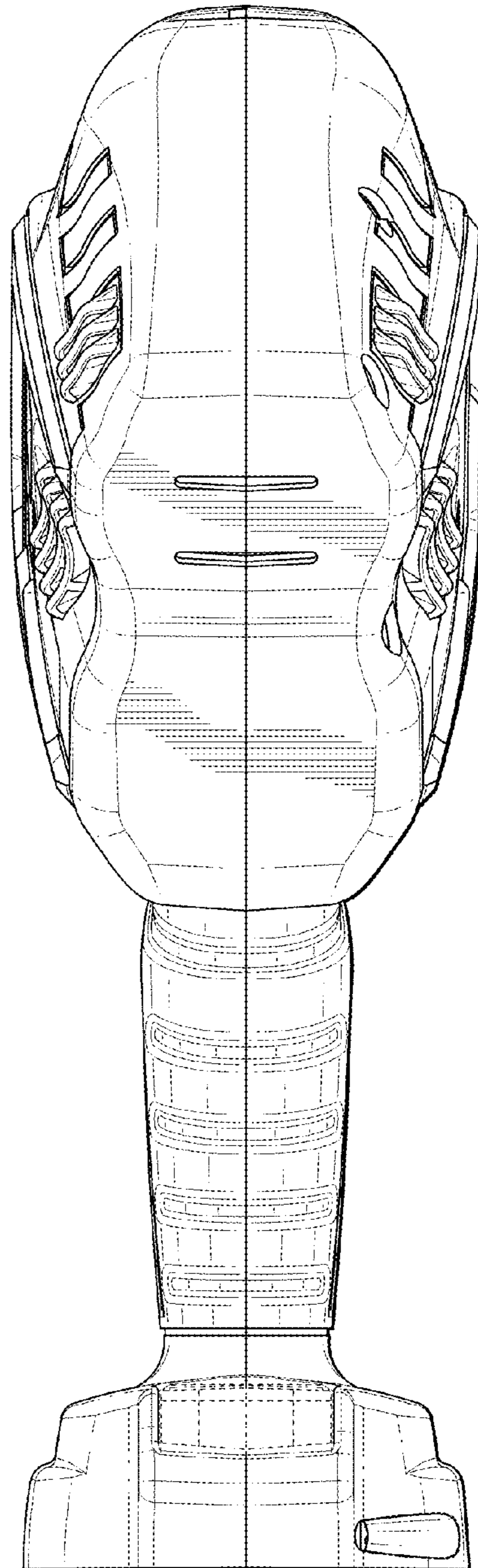


FIG. 3

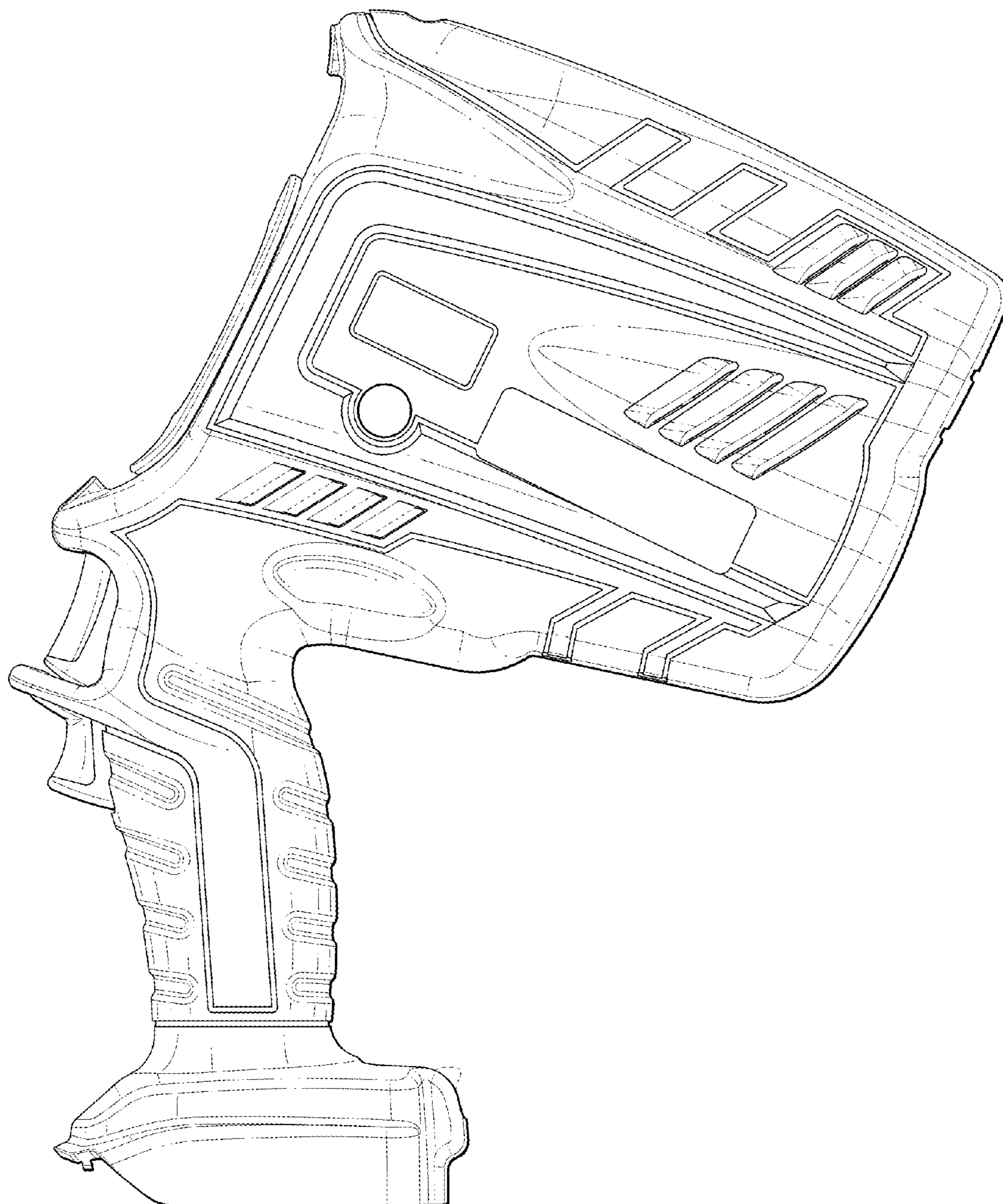


FIG. 4

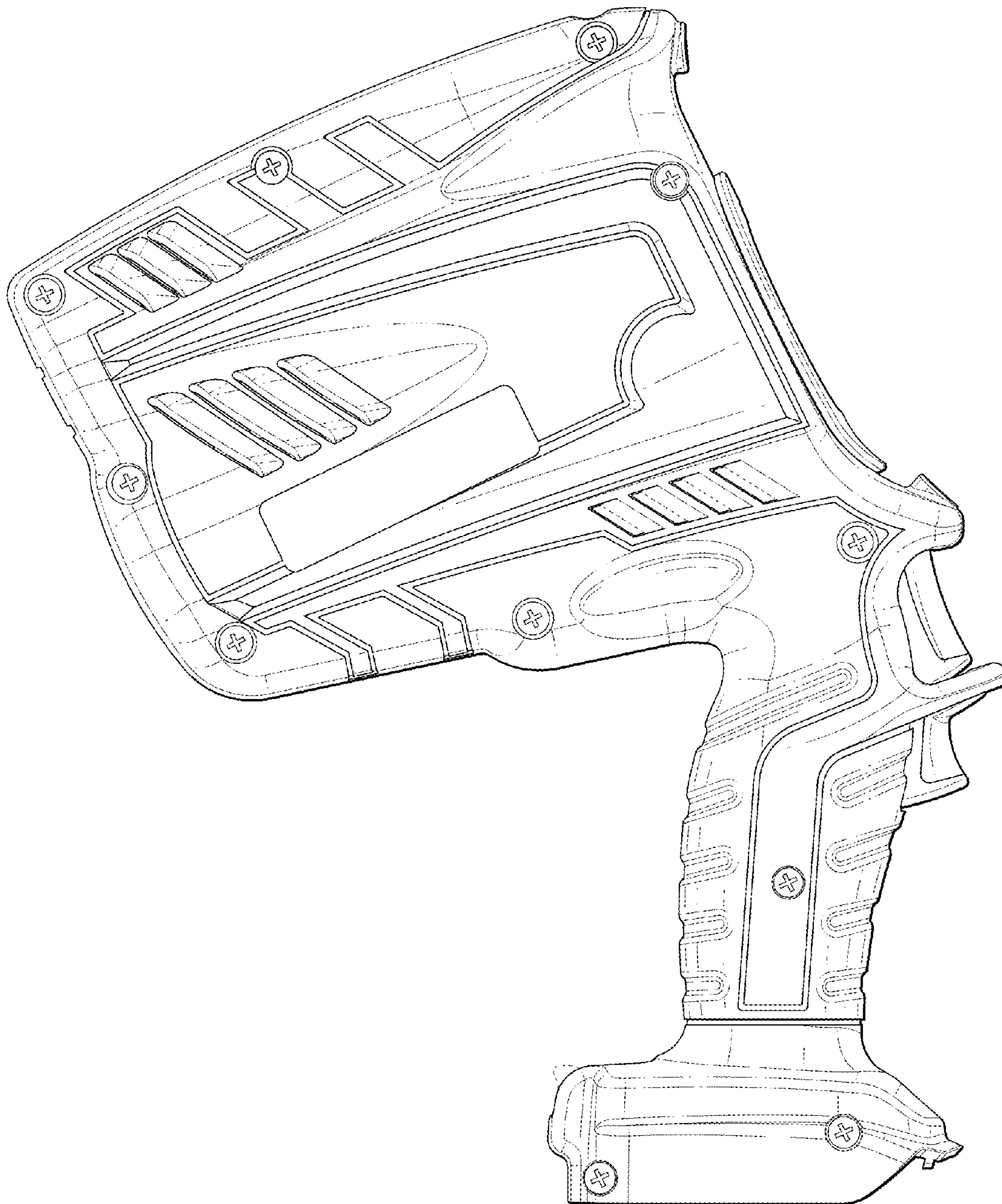


FIG. 5

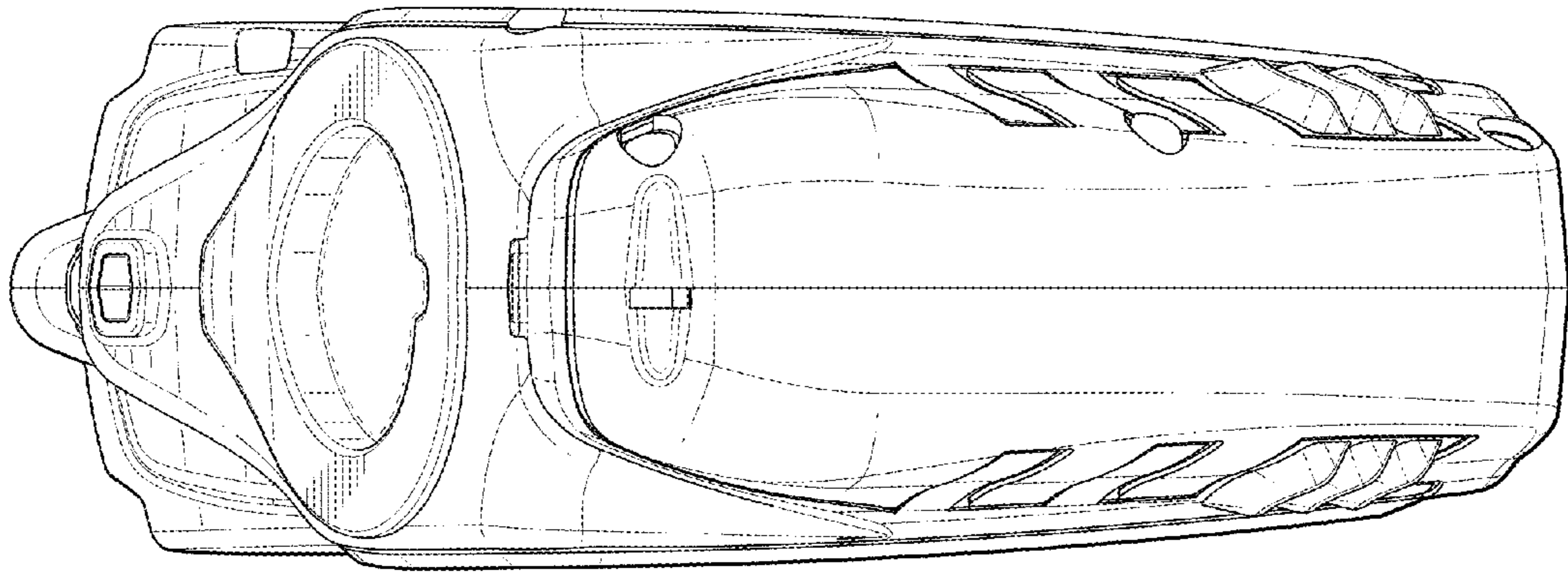


FIG. 6

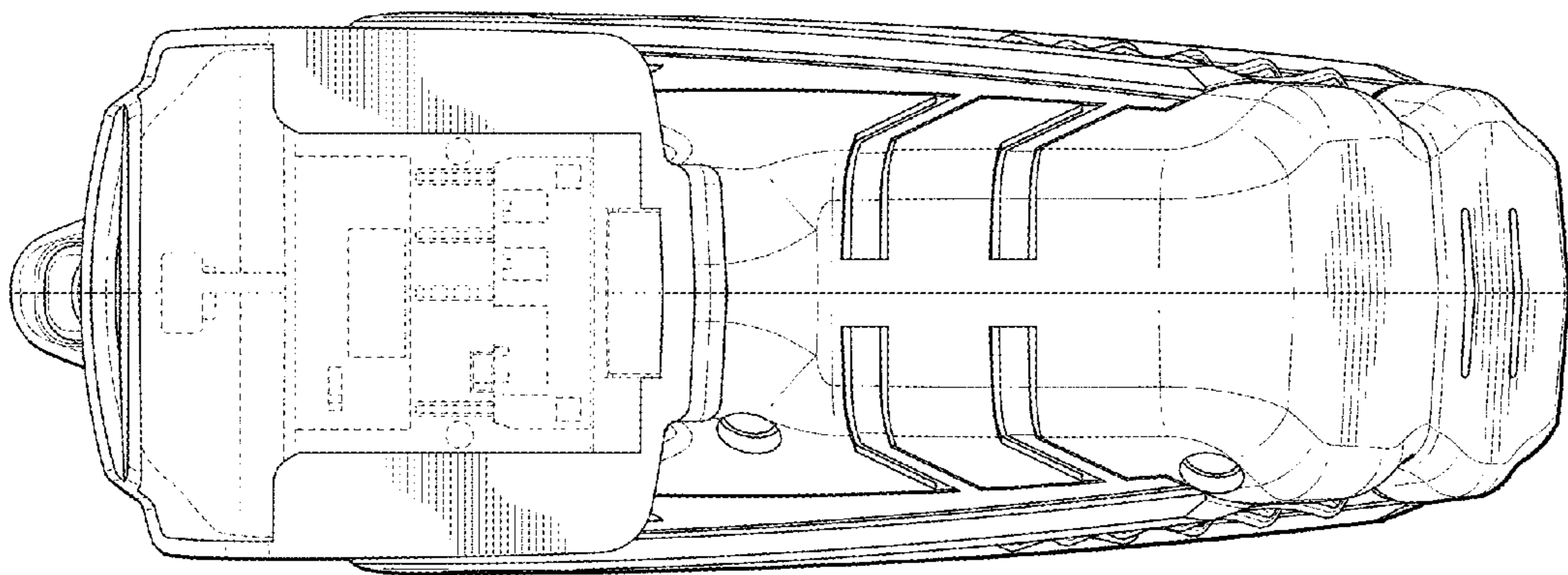


FIG. 7