



US00D730139S

(12) **United States Design Patent**
Taniguchi et al.

(10) **Patent No.:** **US D730,139 S**

(45) **Date of Patent:** **** May 26, 2015**

(54) **HAMMER**

(56) **References Cited**

(71) Applicant: **Hitachi Koki Co., Ltd.**, Minato-ku,
Tokyo (JP)

(72) Inventors: **Takeshi Taniguchi**, Hitachinaka (JP);
Atsuyuki Kikuchi, Hitachinaka (JP);
Hiroyuki Hasegawa, Hitachinaka (JP)

(73) Assignee: **Hitachi Koki Co., Ltd.**, Minato-Ku,
Tokyo (JP)

U.S. PATENT DOCUMENTS

D242,427 S *	11/1976	Wilsgaard	D8/67
D319,959 S *	9/1991	Johansson	D8/61
D319,960 S *	9/1991	Johansson	D8/61
D570,174 S *	6/2008	Stirm	D8/67
D580,250 S *	11/2008	Stirm	D8/67
D603,674 S *	11/2009	Werner	D8/67
D641,604 S *	7/2011	Stirm	D8/67
D642,443 S *	8/2011	Stirm	D8/67
D666,468 S *	9/2012	Braun	D8/67
D668,521 S *	10/2012	Degener	D8/67

* cited by examiner

(**) Term: **14 Years**

Primary Examiner — Austin Murphy

(21) Appl. No.: **29/500,501**

(74) *Attorney, Agent, or Firm* — Banner & Witcoff, Ltd.

(22) Filed: **Aug. 26, 2014**

(57) **CLAIM**

The ornamental design for a hammer, as shown and described.

(30) **Foreign Application Priority Data**

DESCRIPTION

Mar. 7, 2014 (JP) 2014-004857

FIG. 1 is a perspective view of the hammer showing our new design;

(51) **LOC (10) Cl.** **08-03**

FIG. 2 is a front view thereof;

(52) **U.S. Cl.**
USPC **D8/67**

FIG. 3 is a rear view thereof;

(58) **Field of Classification Search**

USPC D8/61-70; 81/57.11, 54, 57.42;
173/170, 271, 171, 205; 74/55

FIG. 4 is a left side view thereof;

FIG. 5 is a right side view thereof;

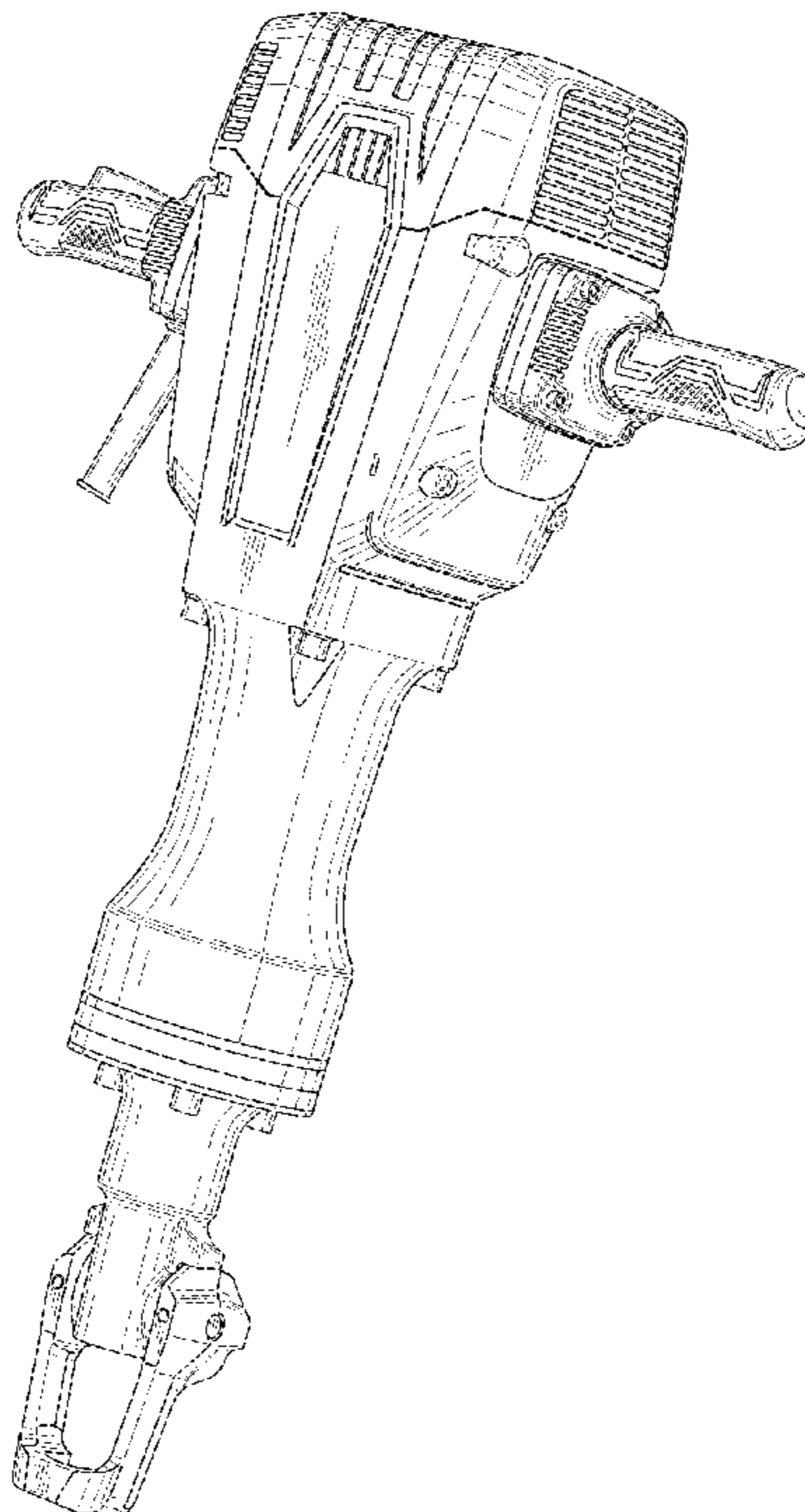
FIG. 6 is a top plan view thereof; and,

FIG. 7 is a bottom plan view thereof.

The broken lines represent the portions of the design that form no part of the claim.

See application file for complete search history.

1 Claim, 5 Drawing Sheets



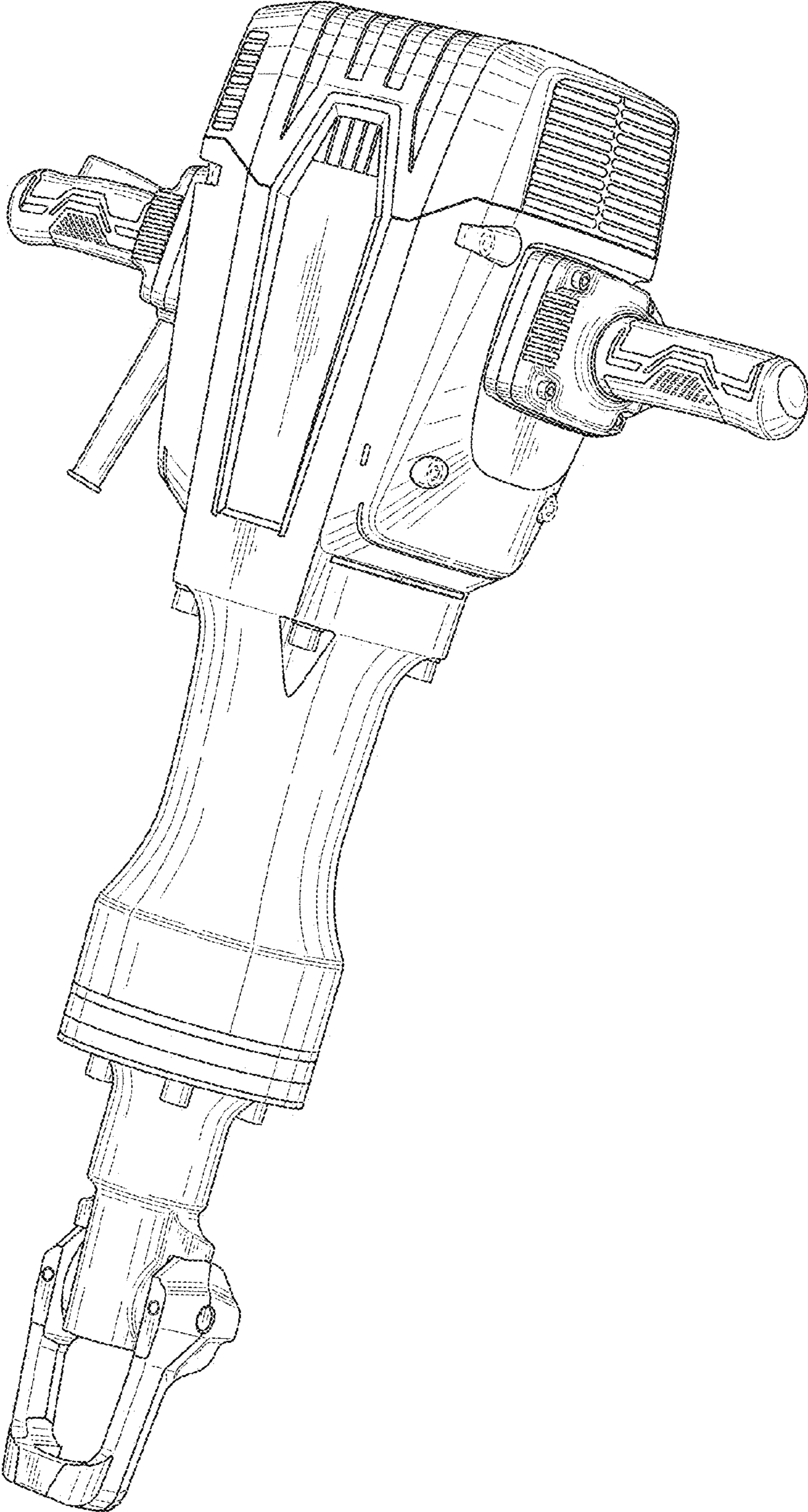


FIG. 1

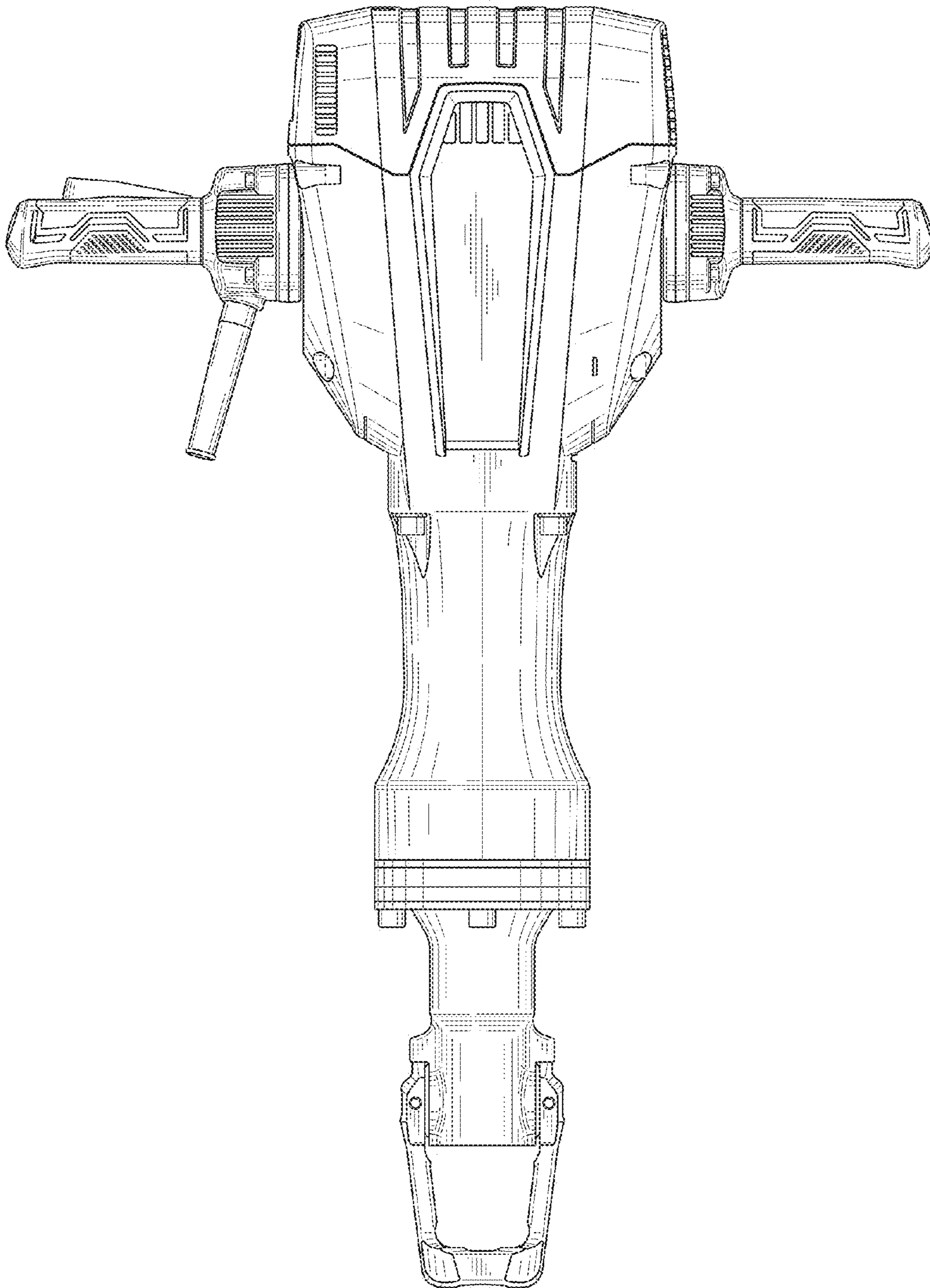


FIG. 2

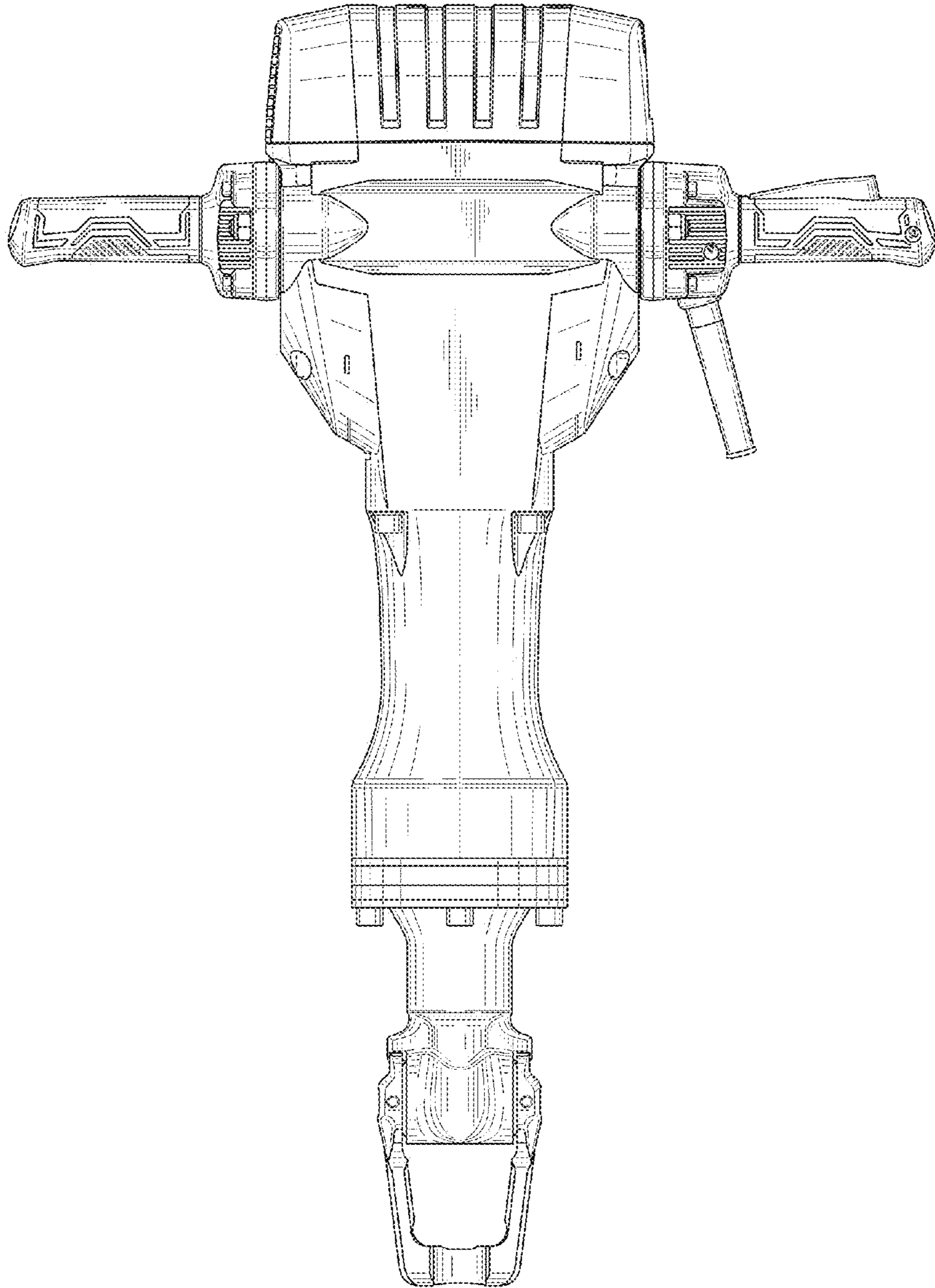


FIG. 3

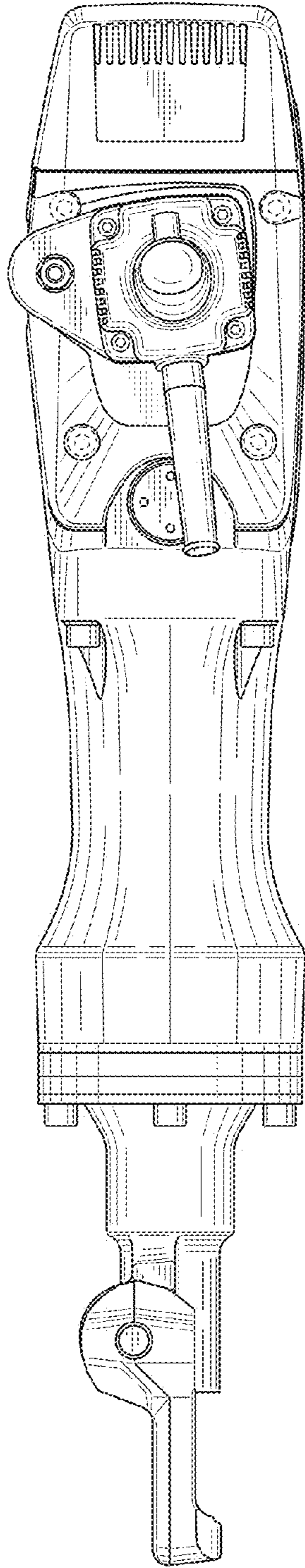


FIG. 4

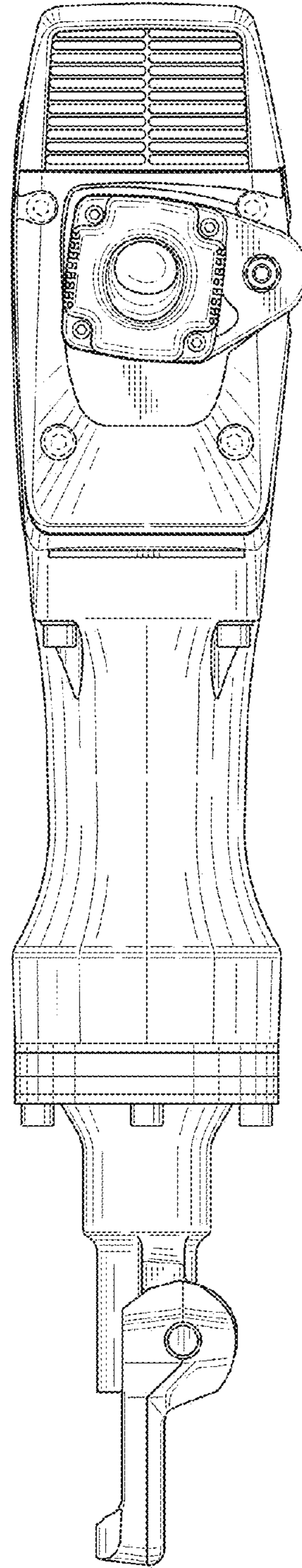


FIG. 5

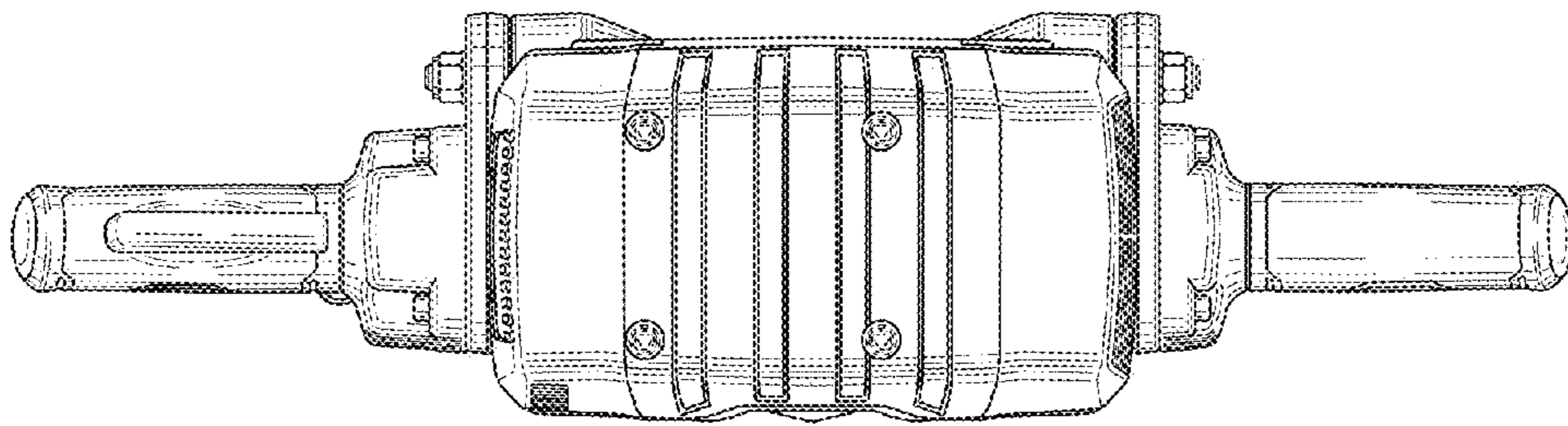


FIG. 6

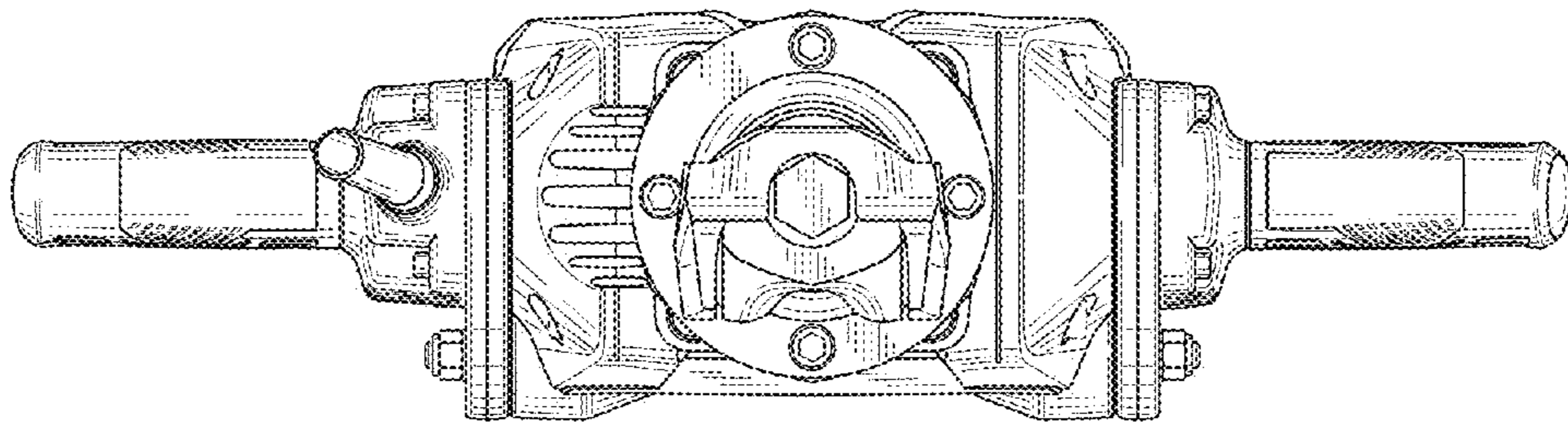


FIG. 7