



US00D730137S

(12) **United States Design Patent**
Onion et al.

(10) **Patent No.:** **US D730,137 S**

(45) **Date of Patent:** **** May 26, 2015**

(54) **POWERED SHARPENER BASE UNIT**

(71) Applicant: **Darex LLC**, Ashland, OR (US)

(72) Inventors: **Kenneth J. Onion**, Kaneohe, HI (US);
Daniel T. Dovel, Shady Cove, OR (US);
Matthew S. Ferdinand, Medford, OR (US);
Steven L. Baker, Medford, OR (US)

(73) Assignee: **Darex, LLC**, Ashland, OR (US)

(**) Term: **14 Years**

(21) Appl. No.: **29/492,229**

(22) Filed: **May 29, 2014**

(51) **LOC (10) Cl.** **08-05**

(52) **U.S. Cl.**
USPC **D8/63**

(58) **Field of Classification Search**
USPC D8/34, 35, 63, 91, 93; 451/45, 267,
451/552, 555-558; 76/82, 84, 86-89.2;
30/138
See application file for complete search history.

(56) **References Cited**

U.S. PATENT DOCUMENTS

D309,415 S * 7/1990 Shimizu D8/93
D473,777 S * 4/2003 Thompson et al. D8/93

D500,439 S * 1/2005 Rosenthal D8/93
D519,815 S * 5/2006 Friel et al. D8/91
D542,616 S * 5/2007 Elek et al. D8/63
D604,135 S * 11/2009 Smith et al. D8/63
D688,545 S * 8/2013 Jensen et al. D8/63
D699,534 S * 2/2014 Elek et al. D8/63

* cited by examiner

Primary Examiner — Austin Murphy

(74) *Attorney, Agent, or Firm* — Hall Estill Attorneys at Law

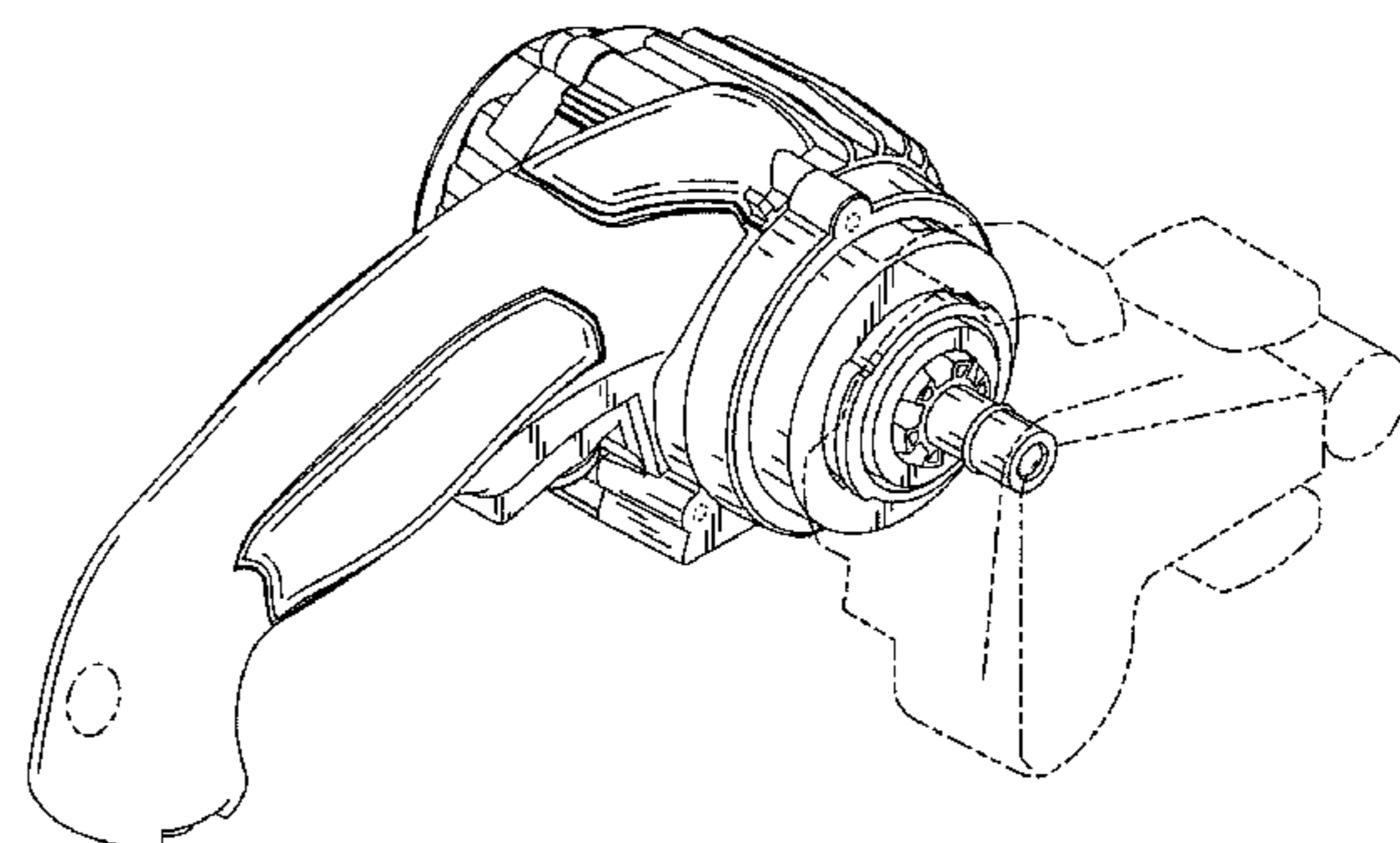
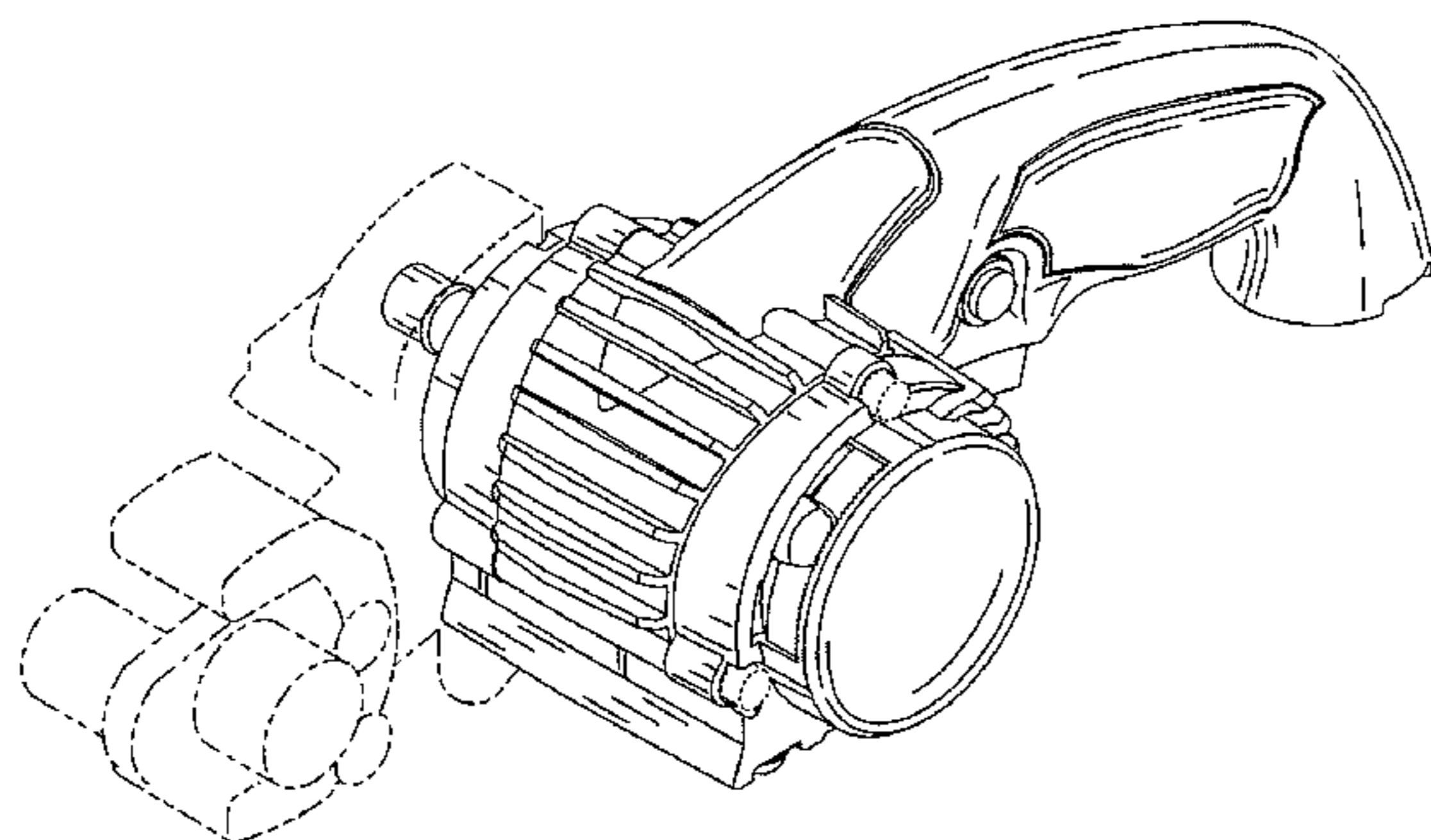
(57) **CLAIM**

The ornamental design for a powered sharpener base unit, as shown and described.

DESCRIPTION

FIG. 1 is a right side view of the design.
FIG. 2 is a left side view of the design of FIG. 1.
FIG. 3 is a top plan view of the design of FIG. 1.
FIG. 4 is a bottom plan view of the design of FIG. 1.
FIG. 5 is a front end view of the design of FIG. 1.
FIG. 6 is a rear end view of the design of FIG. 1.
FIG. 7 is a first isometric view of the design of FIG. 1, and;
FIG. 8 is a second isometric view of the design of FIG. 1.
The broken lines in these drawings serve to illustrate the environment in which the claimed design is associated. The broken lines form no part of the claimed design.

1 Claim, 4 Drawing Sheets



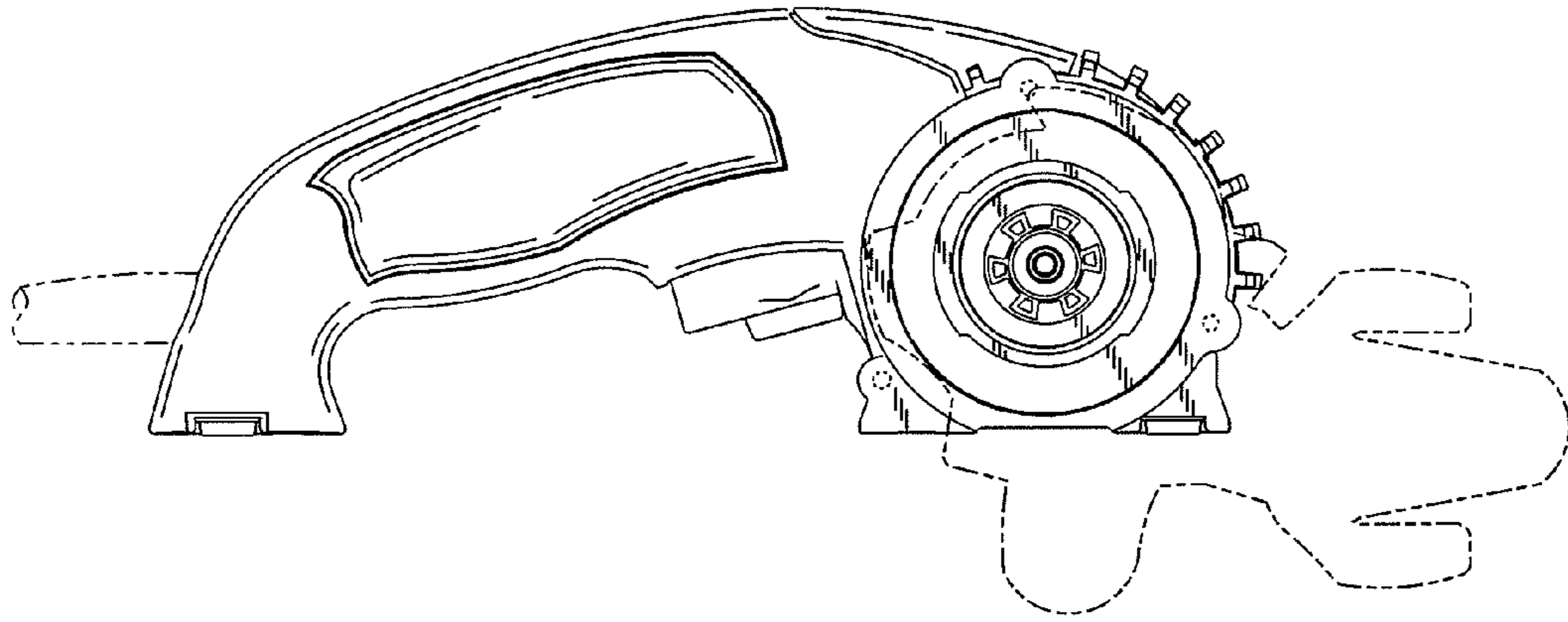


FIG. 1

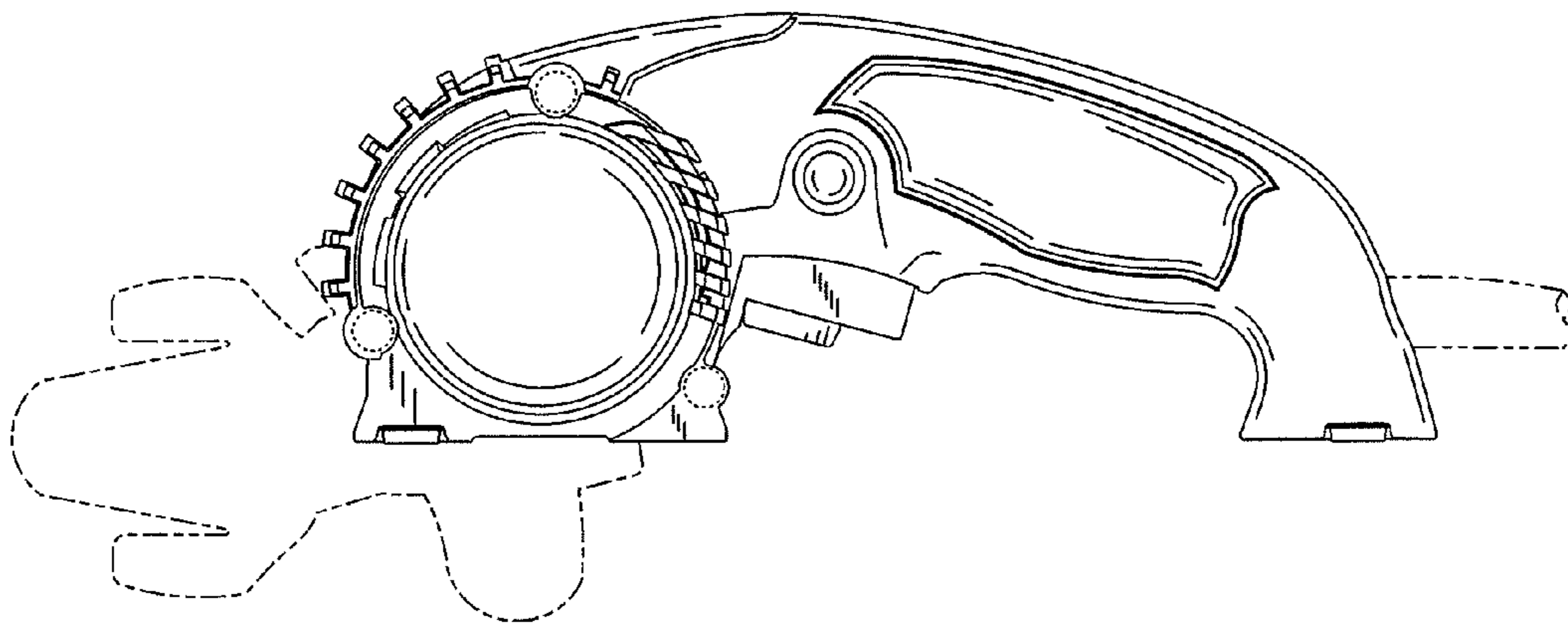


FIG. 2

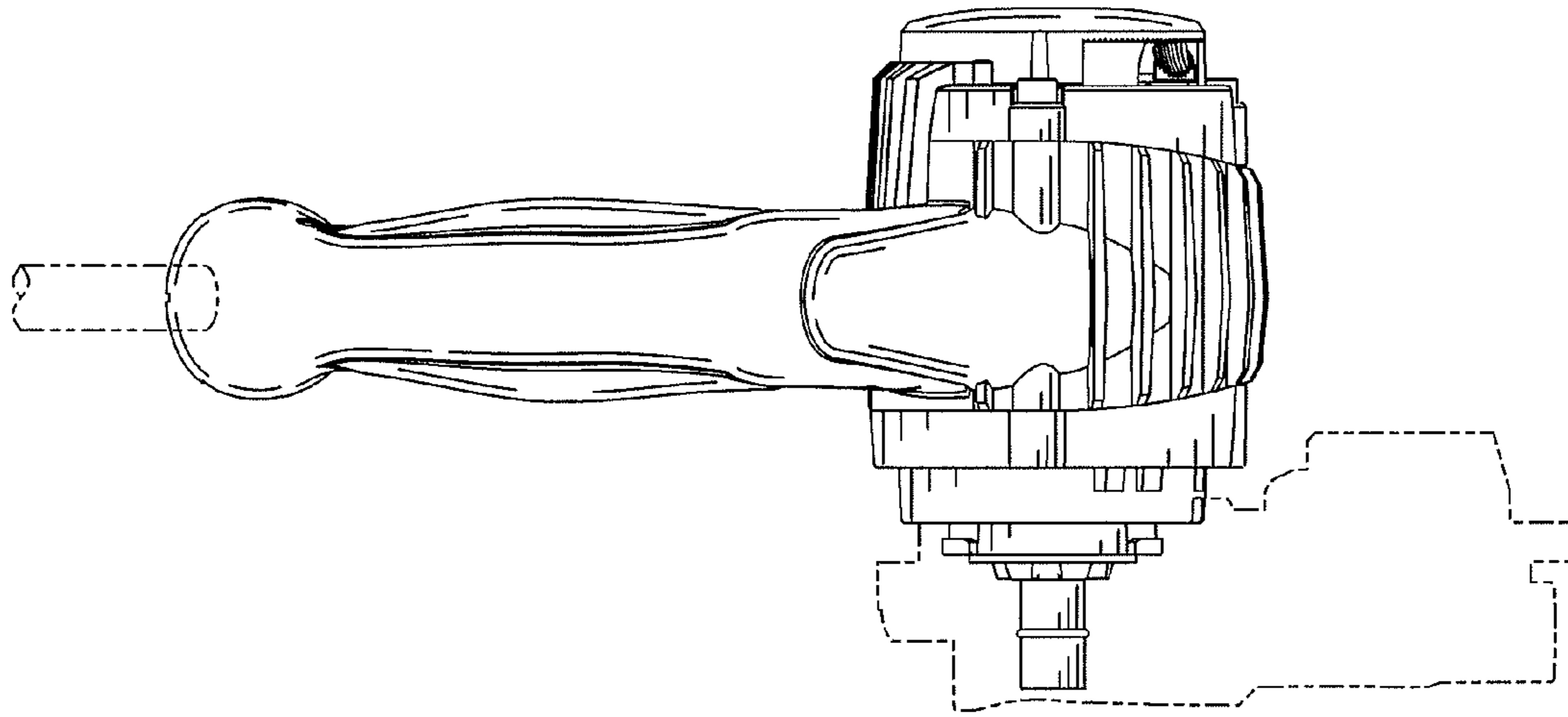


FIG. 3

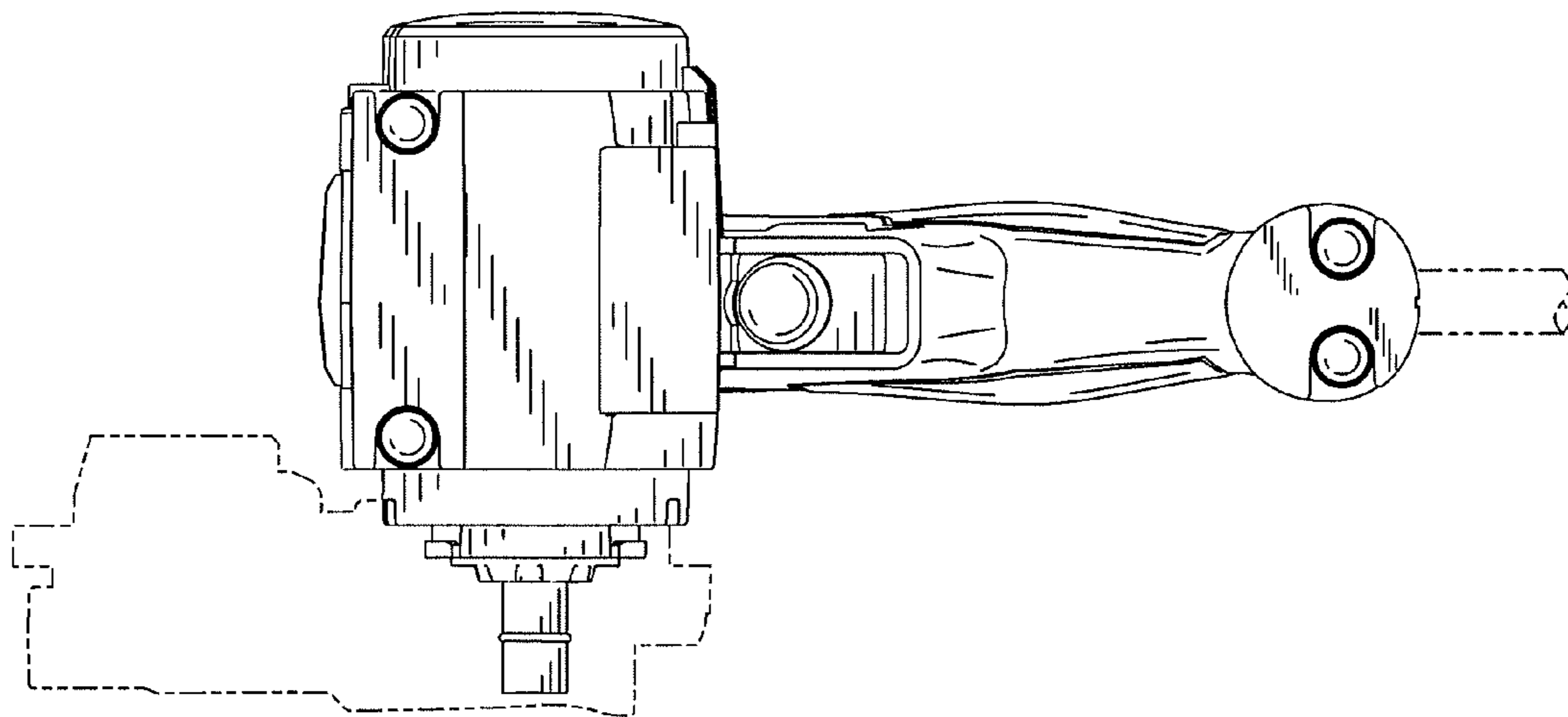


FIG. 4

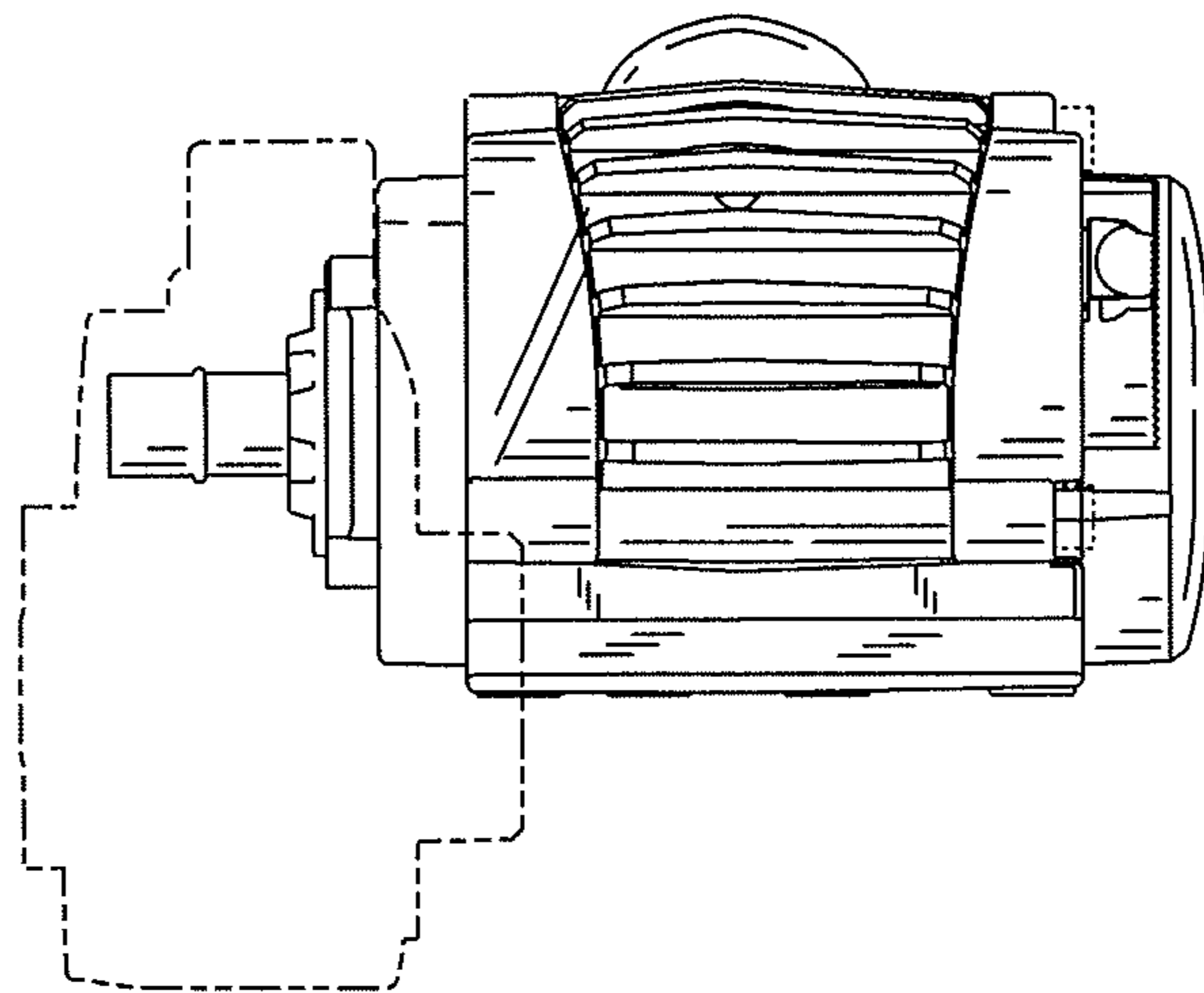


FIG. 5

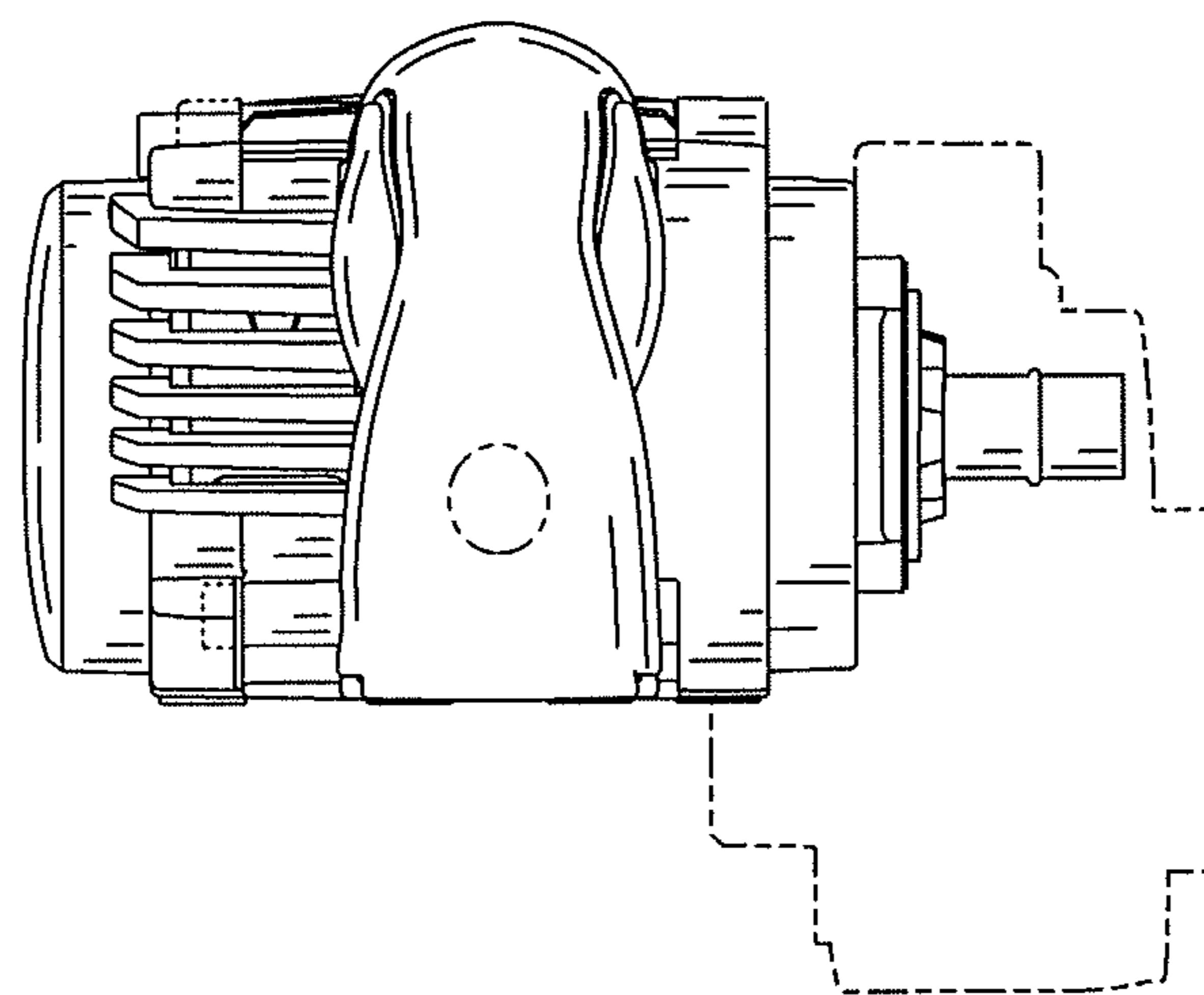


FIG. 6

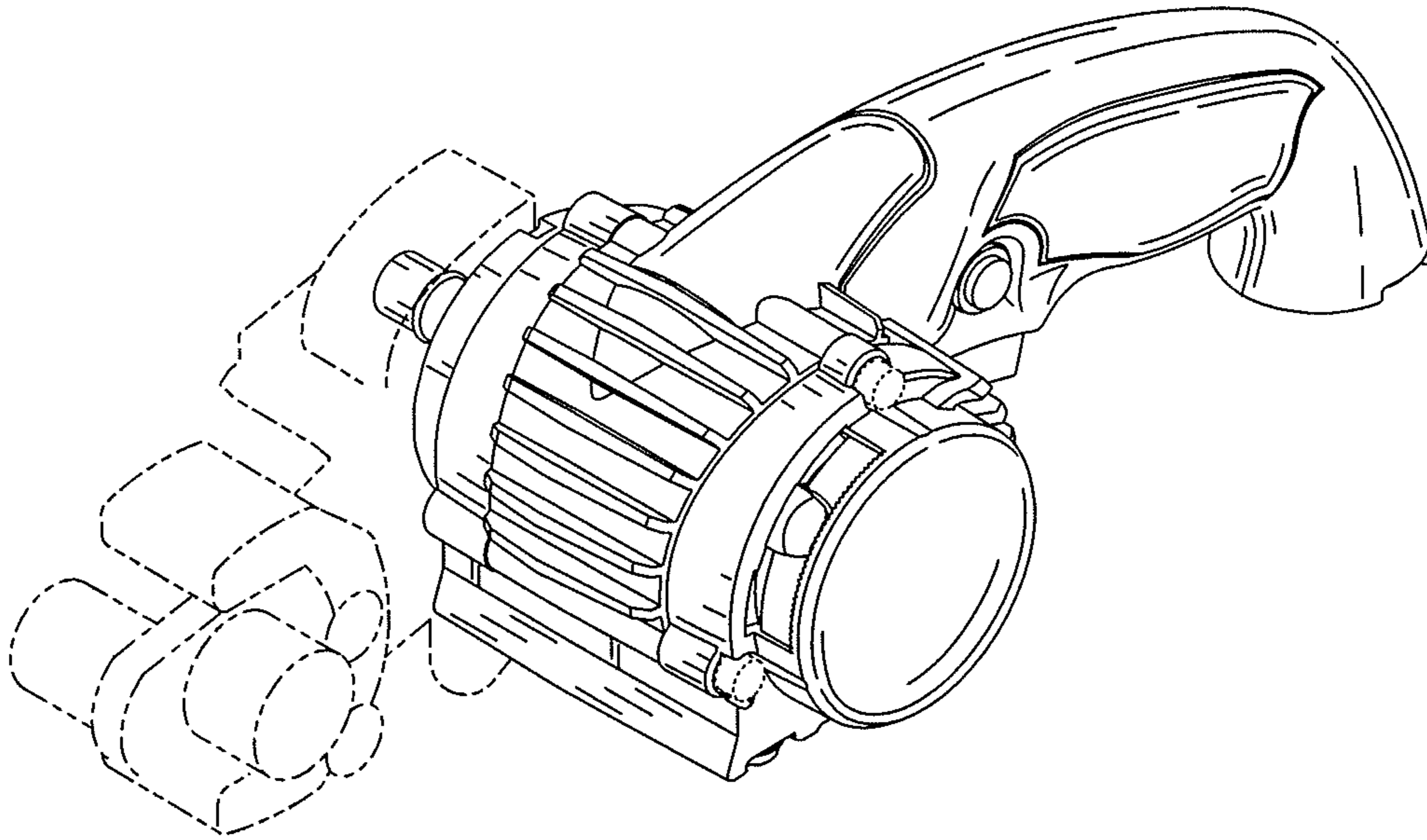


FIG. 2

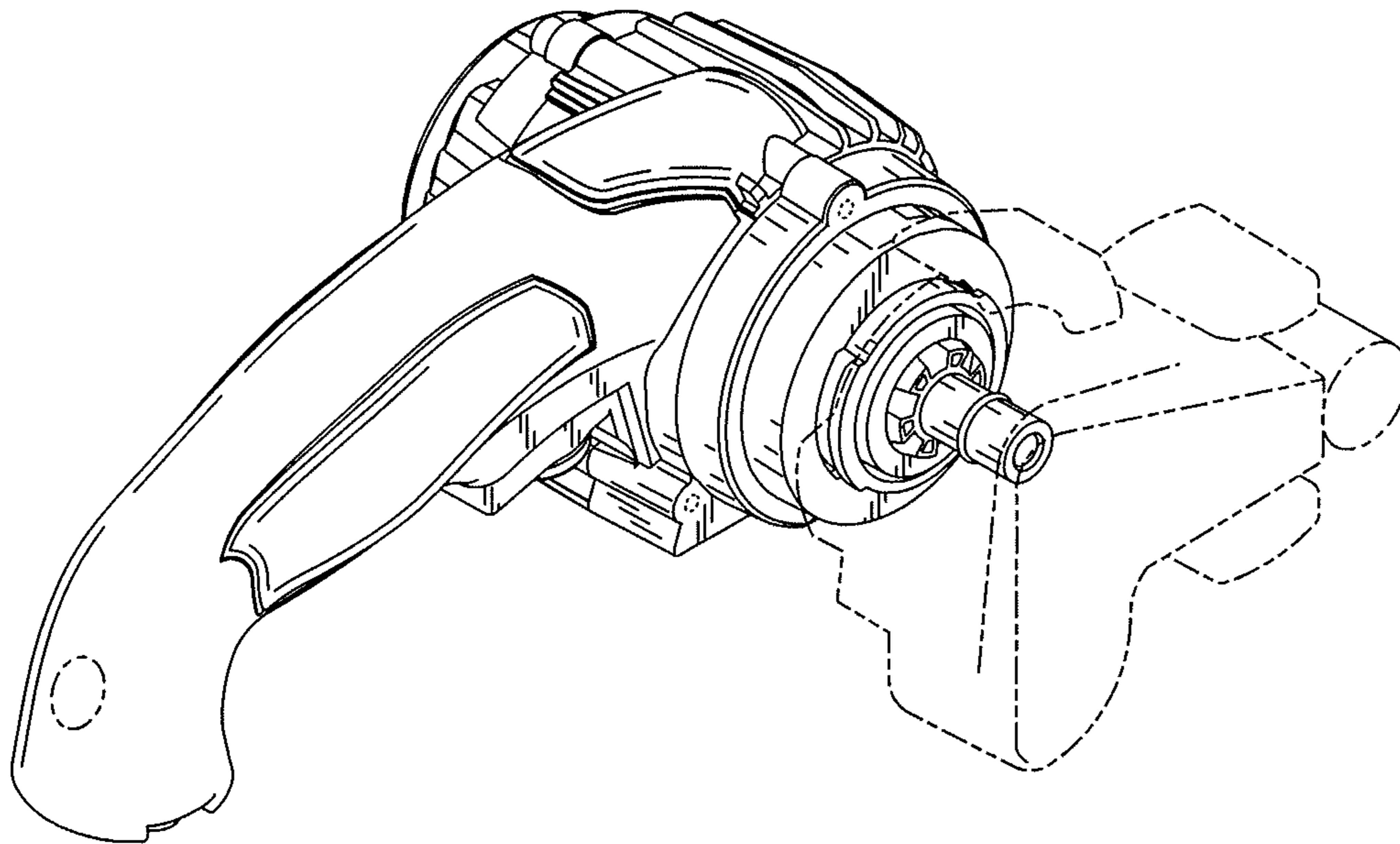


FIG. 3