



US00D730135S

(12) **United States Design Patent**
Spirer

(10) **Patent No.:** **US D730,135 S**

(45) **Date of Patent:** **** May 26, 2015**

(54) **HYDRAULIC WRENCH**

(71) Applicant: **Norwolf Tool Works, Inc.**, Westwood, NJ (US)

(72) Inventor: **Steve Spirer**, Westwood, NJ (US)

(**) Term: **14 Years**

(21) Appl. No.: **29/439,194**

(22) Filed: **Dec. 7, 2012**

(51) **LOC (10) Cl.** **08-03**

(52) **U.S. Cl.**
USPC **D8/61**

(58) **Field of Classification Search**
USPC D8/29.1, 51, 52, 53, 55, 56, 57, 58, 61,
D8/63, 70, 93, 98, 99, 105; D24/148, 149;
81/9.43, 9.44, 302, 349, 383.5, 423,
81/427.5, 900; 30/90.1, 90.6, 228, 366;
D15/124, 133, 138, 139, 140; 29/239,
29/252; 254/93 H, 93 R; 403/378

See application file for complete search history.

(56) **References Cited**

U.S. PATENT DOCUMENTS

3,273,428	A *	9/1966	Rudeke	81/464
4,619,160	A *	10/1986	Meyer	81/57.39
4,825,730	A *	5/1989	Junkers	81/57.39
4,970,919	A *	11/1990	Snyder	81/57.39
RE33,951	E *	6/1992	Junkers	81/57.39
5,924,340	A *	7/1999	Junkers	81/57.39
6,279,427	B1 *	8/2001	Francis	81/57.39
D465,394	S *	11/2002	Junkers	D8/61
D491,435	S *	6/2004	Junkers	D8/61
D491,436	S *	6/2004	Junkers	D8/61
D580,721	S *	11/2008	Chen	D8/25
D602,755	S *	10/2009	Junkers	D8/61
2011/0314972	A1 *	12/2011	Rickley et al.	81/57.39

OTHER PUBLICATIONS

“Low Profile Hydraulic Torque Wrench.” Rapid-Torc. Produce Page., Oct. 27, 2012 [online], [retrieved on Jun. 26, 2014]. Retrieved from the Internet <URL: http://www.rapidtorc.com/rtx_hydraulic_torque_wrench.html>.*

“New WCR4000 Hydraulic Torque Wrench.” Expo21xx News., Feb. 12, 2011 [online], [retrieved on Jun. 26, 2014]. Retrieved from the Internet <URL: <http://www.expo21xx.com/news/hydraulic-torque-wrench/>>.*

(Continued)

Primary Examiner — Philip S Hyder

Assistant Examiner — Darlington Ly

(74) *Attorney, Agent, or Firm* — Jura C. Zibas; Gregory N. Brescia; Wilson, Elser, Moskowitz, Edelman & Dicker, LLP.

(57) **CLAIM**

The ornamental design for a hydraulic wrench, as shown and described.

DESCRIPTION

FIG. 1 is a front and left perspective view of a hydraulic wrench showing my new design;

FIG. 2 is an exploded front view and left perspective view thereof;

FIG. 3 is a left side elevation view thereof;

FIG. 4 is a right side elevation view thereof;

FIG. 5 is a front elevation view thereof;

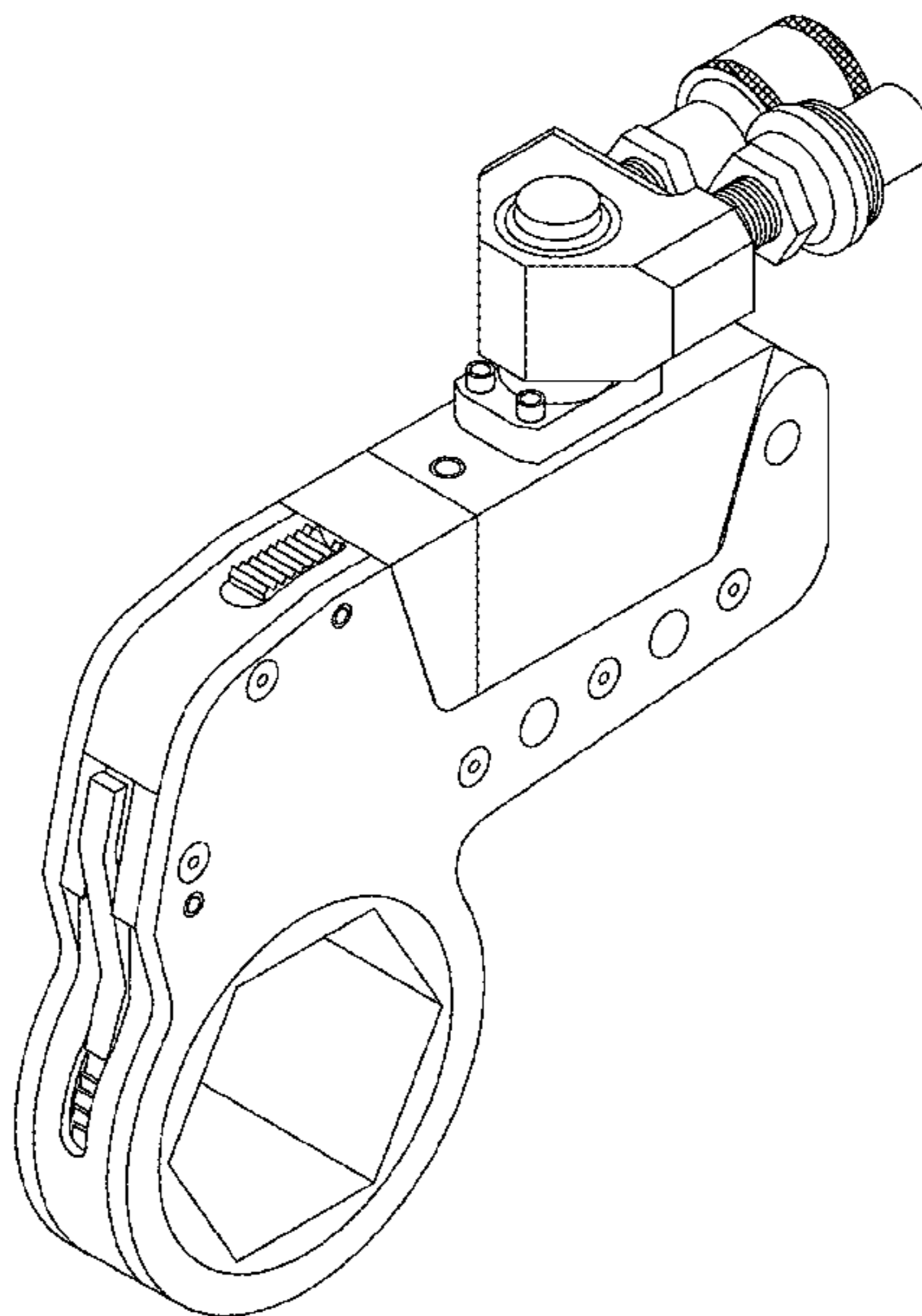
FIG. 6 is a rear elevation view thereof;

FIG. 7 is a top plan view thereof; and,

FIG. 8 is a bottom plan view thereof.

The broken lines illustrate portions of the hydraulic wrench that forms no part of the claimed design.

1 Claim, 6 Drawing Sheets



(56)

References Cited

OTHER PUBLICATIONS

“New WCR4000 Hydraulic Torque Wrench.” Enerpac News., Sep. 15, 2013 [online], [retrieved on Jun. 26, 2014]. Retrieved from the Internet <URL: <http://www.enerpac.com/en/news/new-wcr4000-hydraulic-torque-wrench>>.*

“Backup Wrenches.” Hytorc Central., Dec. 28, 2009 [online], [retrieved on Jun. 26, 2014]. Retrieved from the Internet <URL: <http://www.hytorccentral.com/backup-wrenches.htm>>.*

* cited by examiner

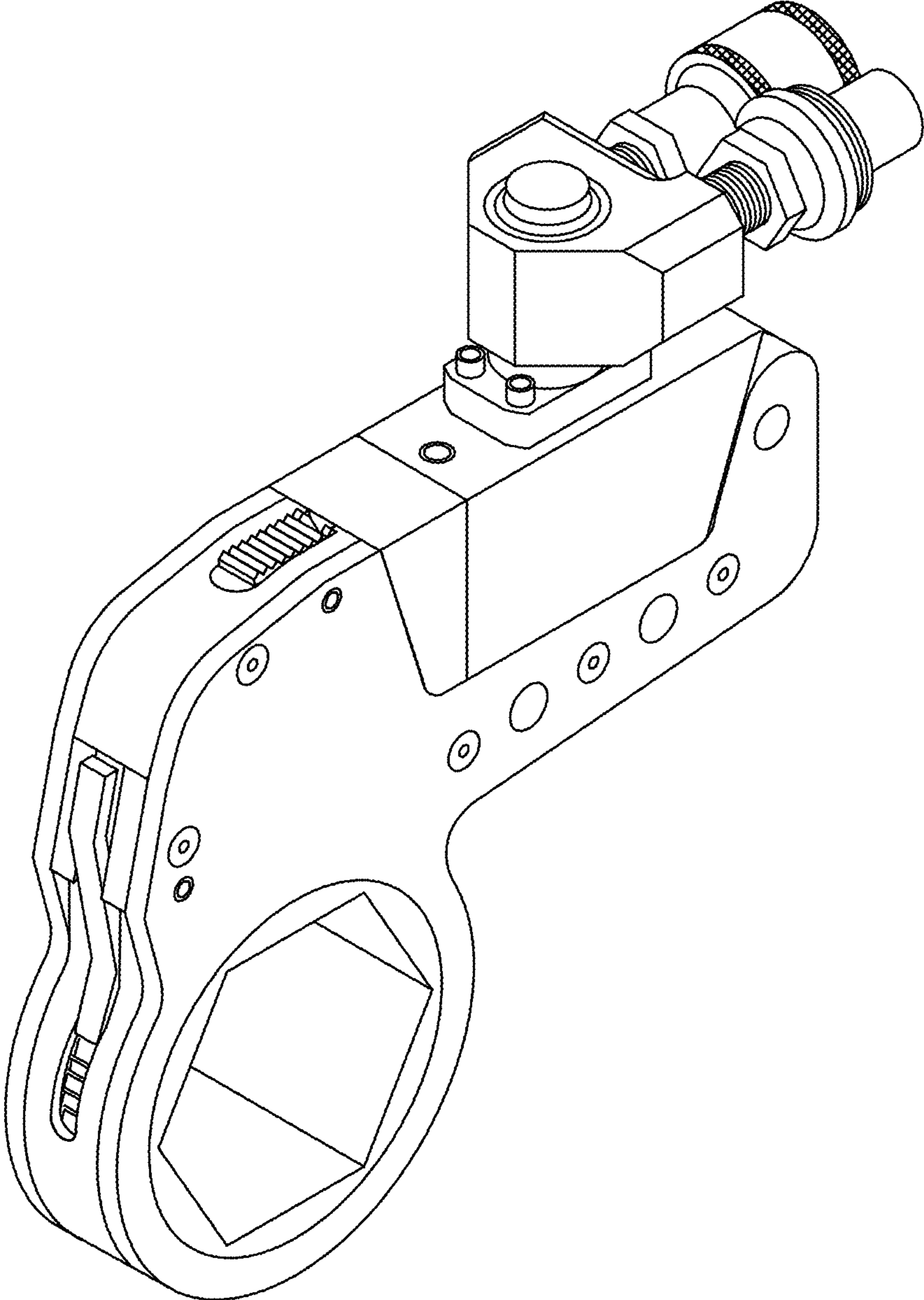


FIG. 1

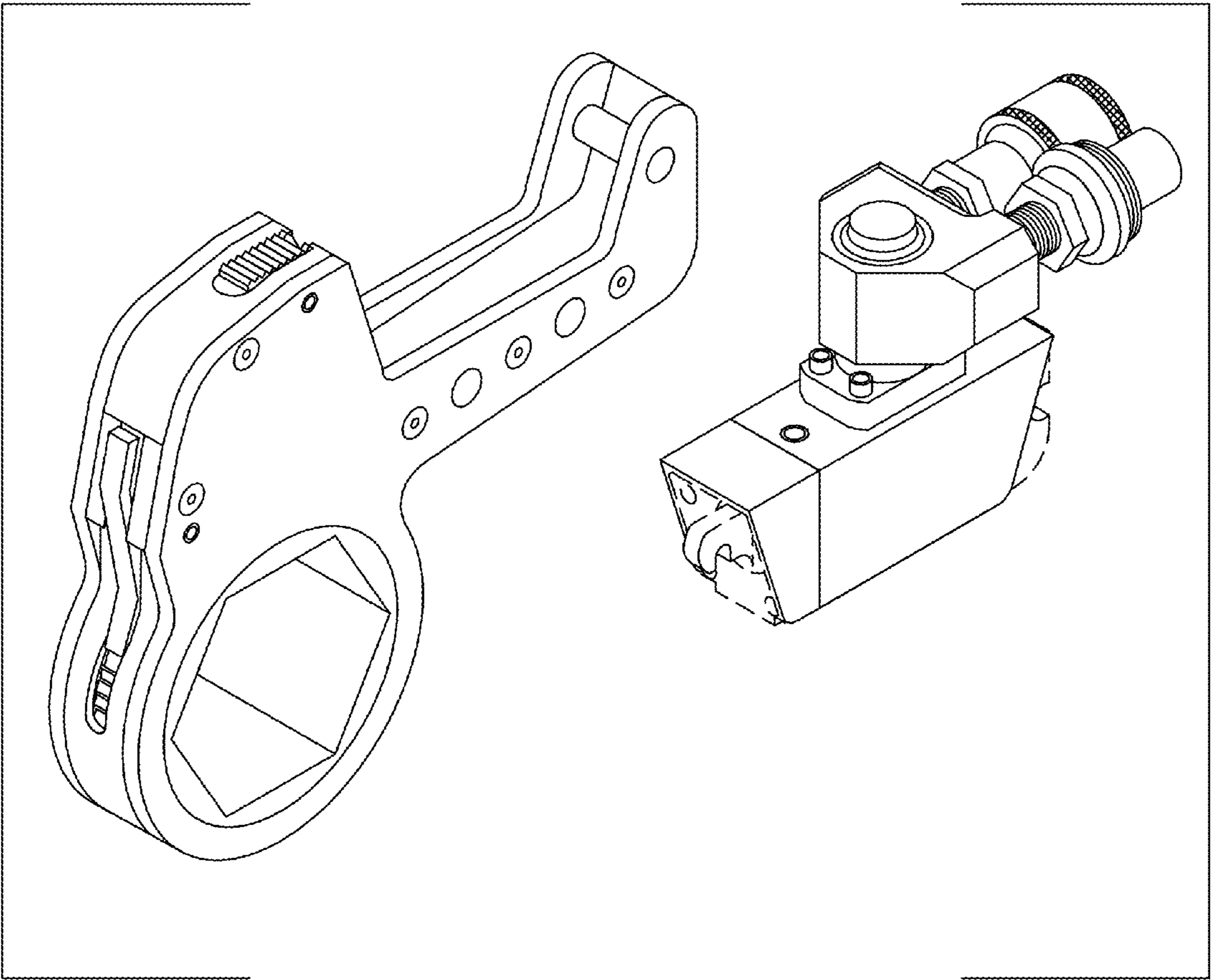


FIG. 2

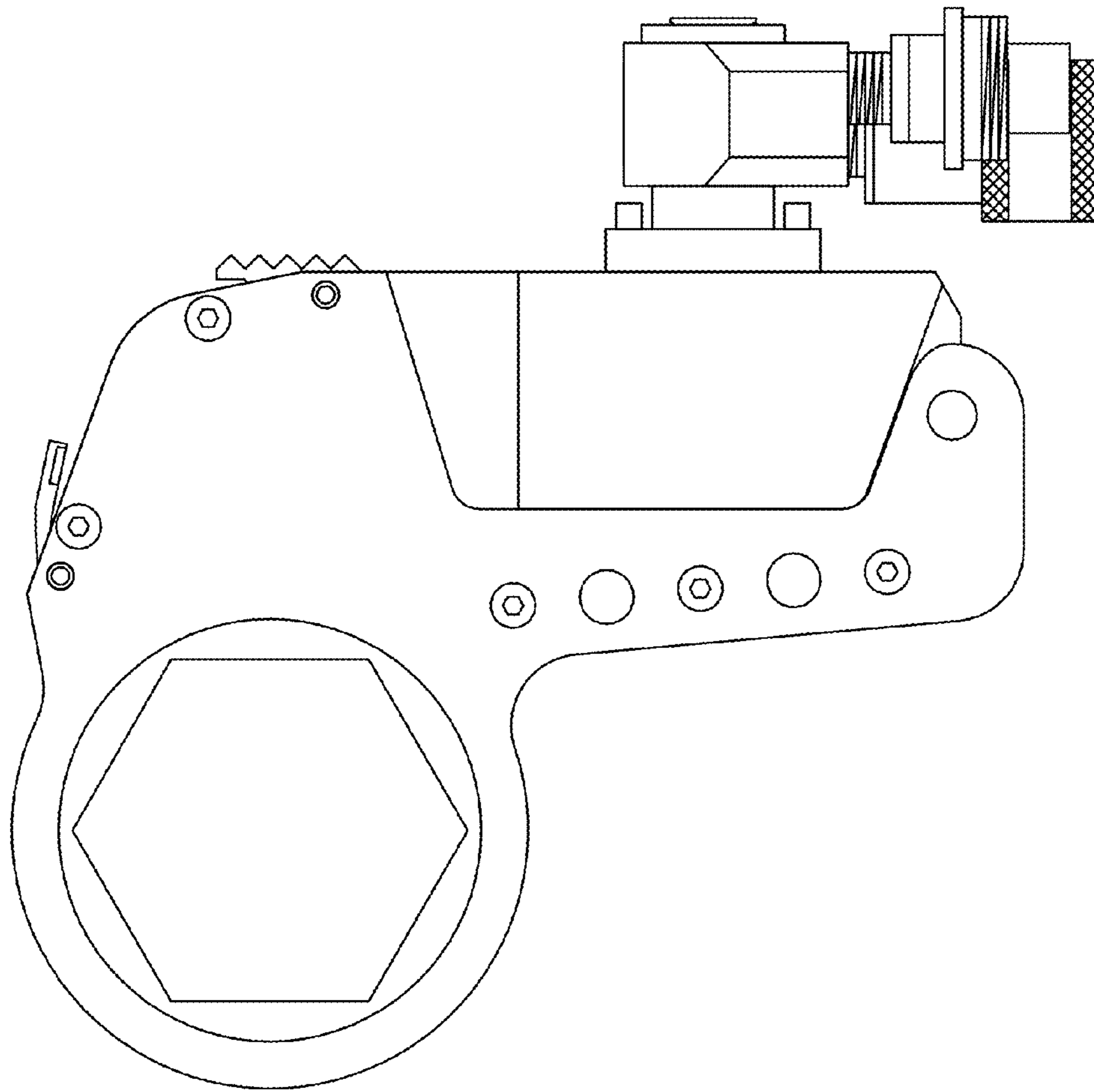


FIG. 3

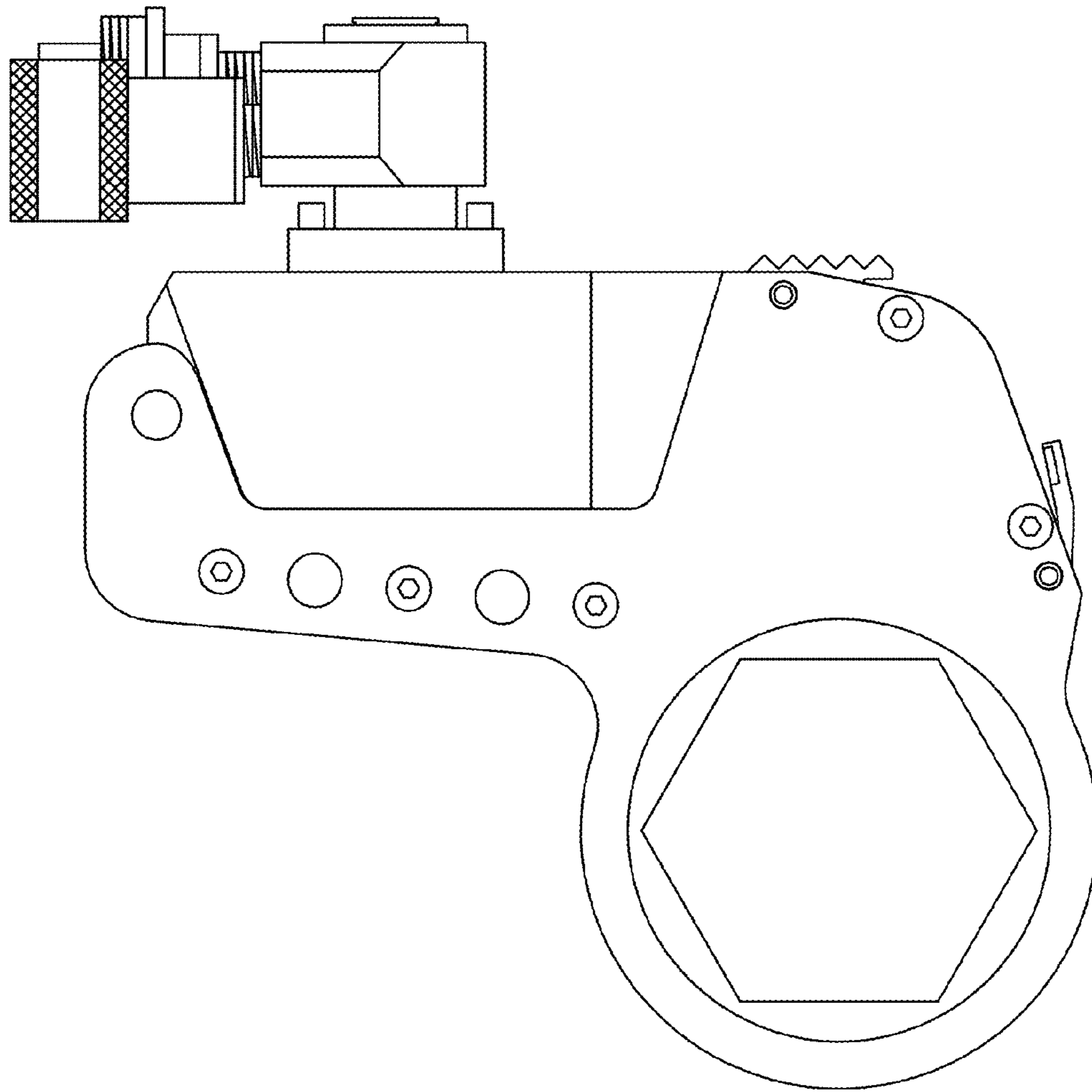


FIG. 4

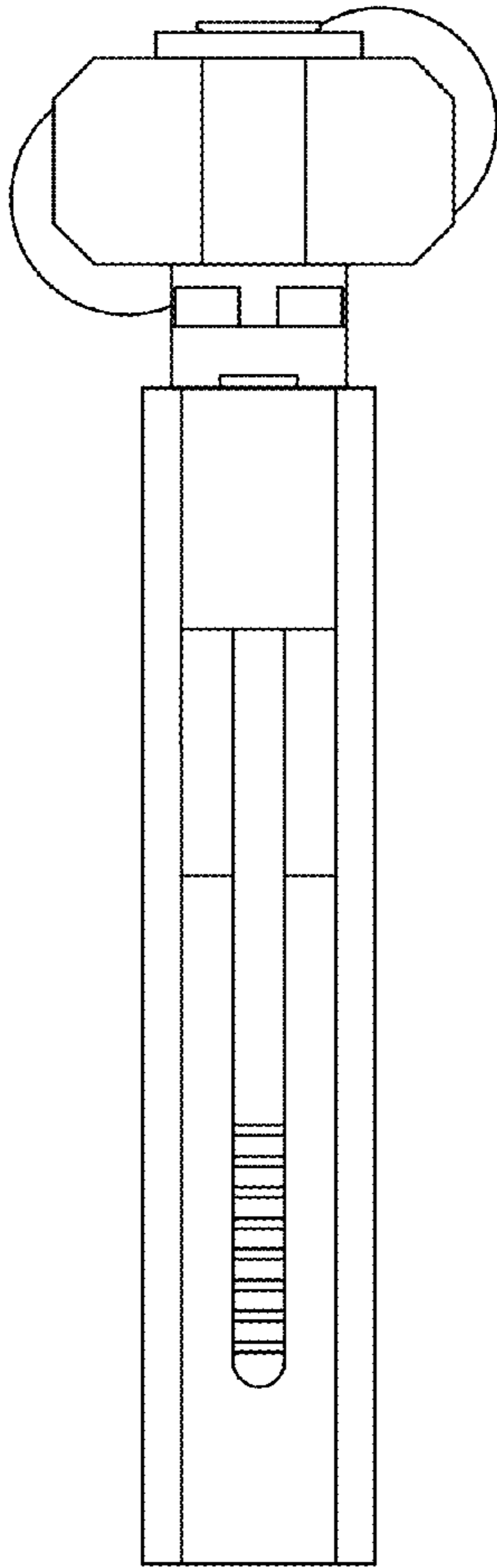


FIG. 5

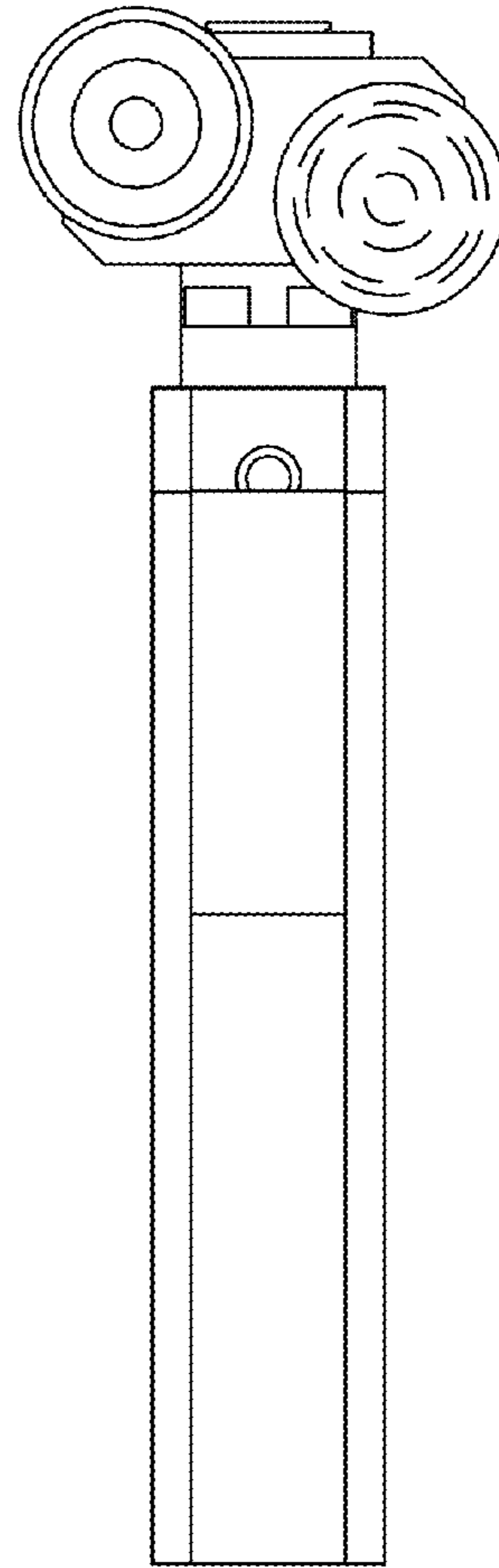


FIG. 6

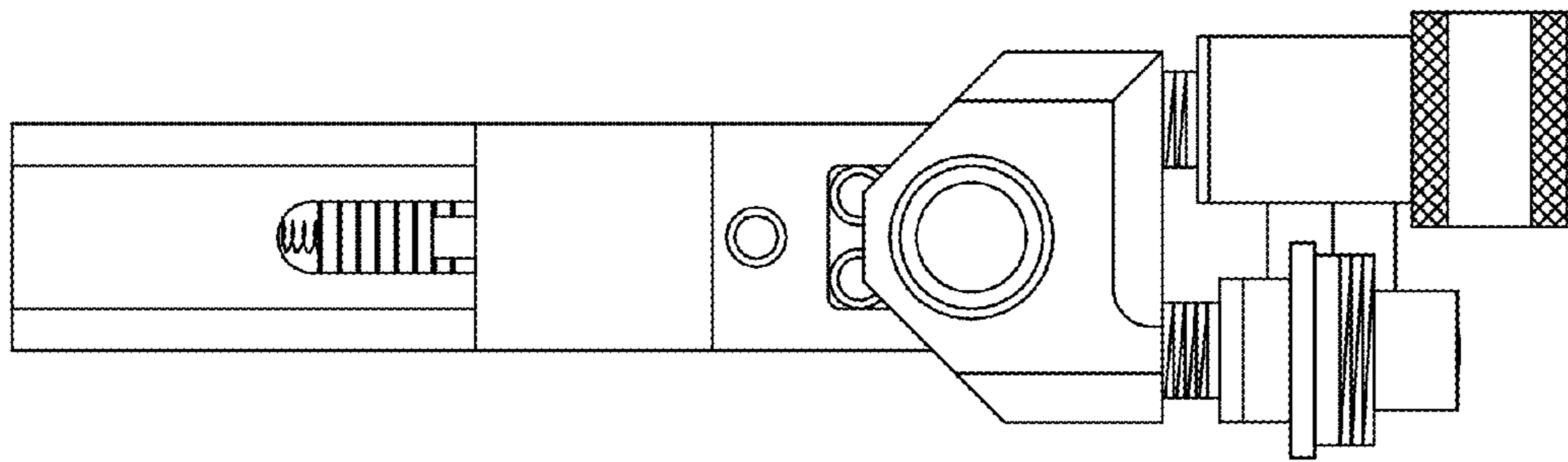


FIG. 7

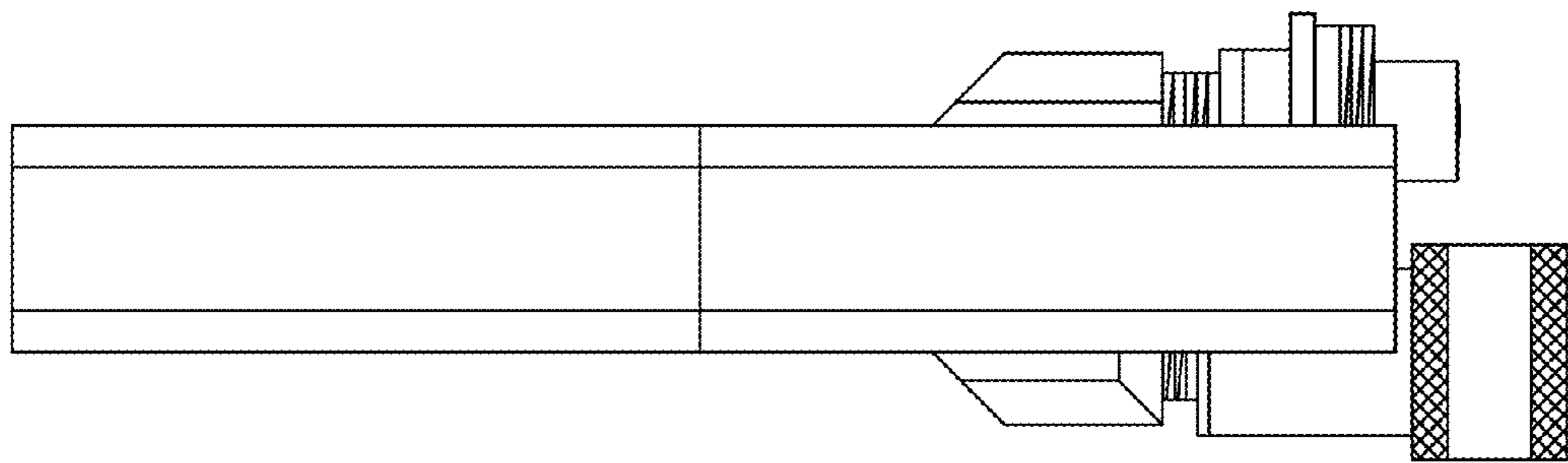


FIG. 8