



US00D730134S

(12) **United States Design Patent**  
**Youngren et al.**

(10) **Patent No.:** **US D730,134 S**

(45) **Date of Patent:** **\*\* May 26, 2015**

- (54) **PICK**
- (71) Applicants: **Robert H. Youngren**, Stillman Valley, IL (US); **Joshua West**, Rockford, IL (US)
- (72) Inventors: **Robert H. Youngren**, Stillman Valley, IL (US); **Joshua West**, Rockford, IL (US)
- (73) Assignee: **Estwing Manufacturing Company, Inc.**, Rockford, IL (US)

1,336,630	A *	4/1920	Kirkpatrick	125/40
1,357,451	A *	11/1920	Groover	125/43
1,377,920	A *	5/1921	Pearson	125/43
2,095,156	A *	10/1937	Sparks	403/334
2,265,580	A *	12/1941	Serge	125/43
2,319,253	A *	5/1943	Neal	403/234
2,470,865	A *	5/1949	Rosengren	403/360
D263,369	S *	3/1982	Kuo	D8/81
4,476,597	A *	10/1984	Gobbi	7/159
D617,624	S *	6/2010	Tygh	D8/105
7,735,172	B2 *	6/2010	Newton et al.	7/166
D625,982	S *	10/2010	Oyama	D8/76

(\*\*) **Term:** **14 Years**

(21) **Appl. No.:** **29/451,993**

(22) **Filed:** **Apr. 10, 2013**

(51) **LOC (10) Cl.** ..... **08-02**

(52) **U.S. Cl.**  
USPC ..... **D8/47**

(58) **Field of Classification Search**  
CPC ..... A01B 1/022; B25D 7/00; B25G 3/02  
USPC ..... D8/11, 14, 47, 76, 78-79, 81, 105;  
125/40-43

See application file for complete search history.

(56) **References Cited**

**U.S. PATENT DOCUMENTS**

277,183	A *	5/1883	Wright	125/43
286,986	A *	10/1883	Wright	125/43
608,716	A *	8/1898	Rubenstein	125/43
D30,408	S *	3/1899	Schlageter et al.	D8/78
646,441	A *	4/1900	Lucas	125/43
911,038	A *	2/1909	Groom	125/43
935,253	A *	9/1909	Gill et al.	125/43
1,008,944	A *	11/1911	Brendel	125/43
1,102,935	A *	7/1914	Lipoff	125/43
1,192,956	A *	8/1916	Told	125/43
1,245,811	A *	11/1917	Smock	125/43
1,273,023	A *	7/1918	Bragdon	125/43
1,321,371	A *	11/1919	Huff	125/43

**OTHER PUBLICATIONS**

The Burpee Pick. Downloaded from [http://www.estwing.com/g\\_burpee\\_pick.php](http://www.estwing.com/g_burpee_pick.php) on Feb. 5, 2015.\*

\* cited by examiner

*Primary Examiner* — Philip S Hyder

*Assistant Examiner* — Roselynn Cody

(74) *Attorney, Agent, or Firm* — Quarles & Brady LLP

(57) **CLAIM**

The ornamental design for a pick, as shown and described.

**DESCRIPTION**

FIG. 1 is an isometric view of a rear, top, and left side of an ornamental design for a pick;

FIG. 2 is a left side elevational view of the pick of FIG. 1;

FIG. 3 is a right side elevational view of the pick of FIG. 1;

FIG. 4 is a rear elevational view of the pick of FIG. 1;

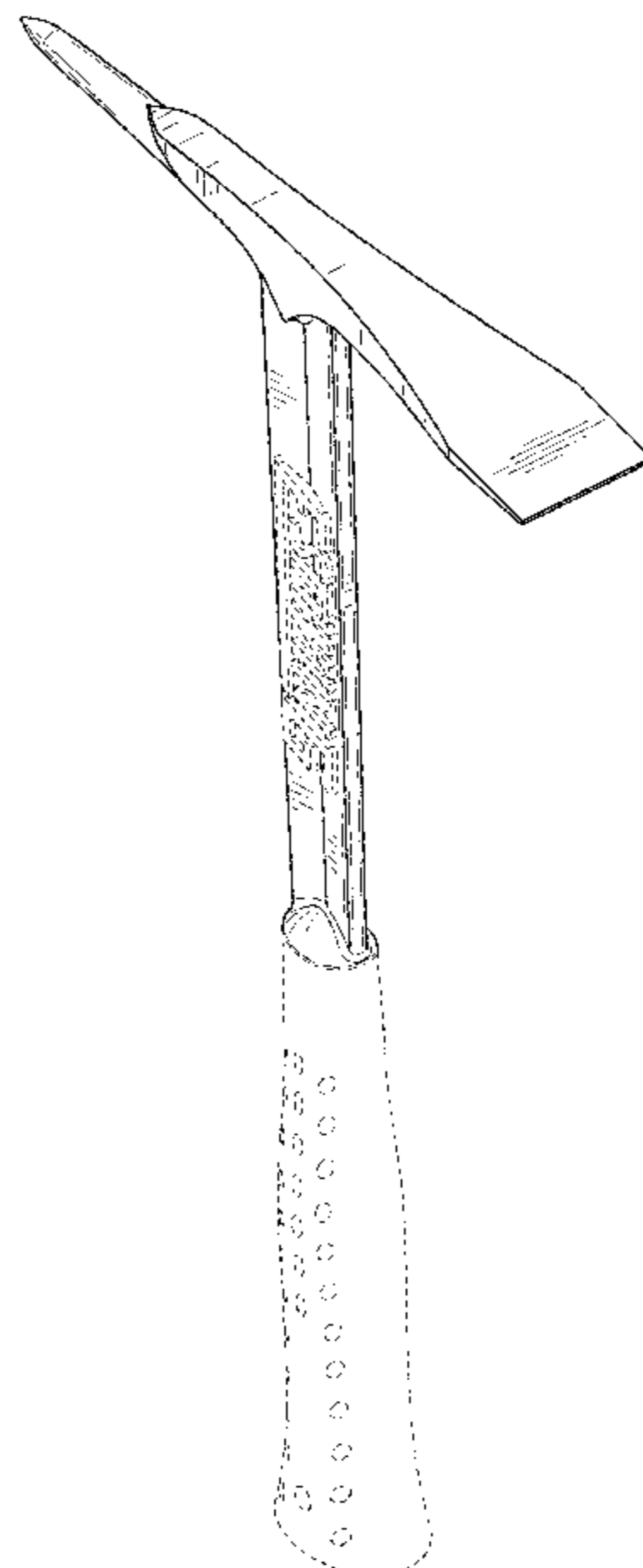
FIG. 5 is a front elevational view of the pick of FIG. 1;

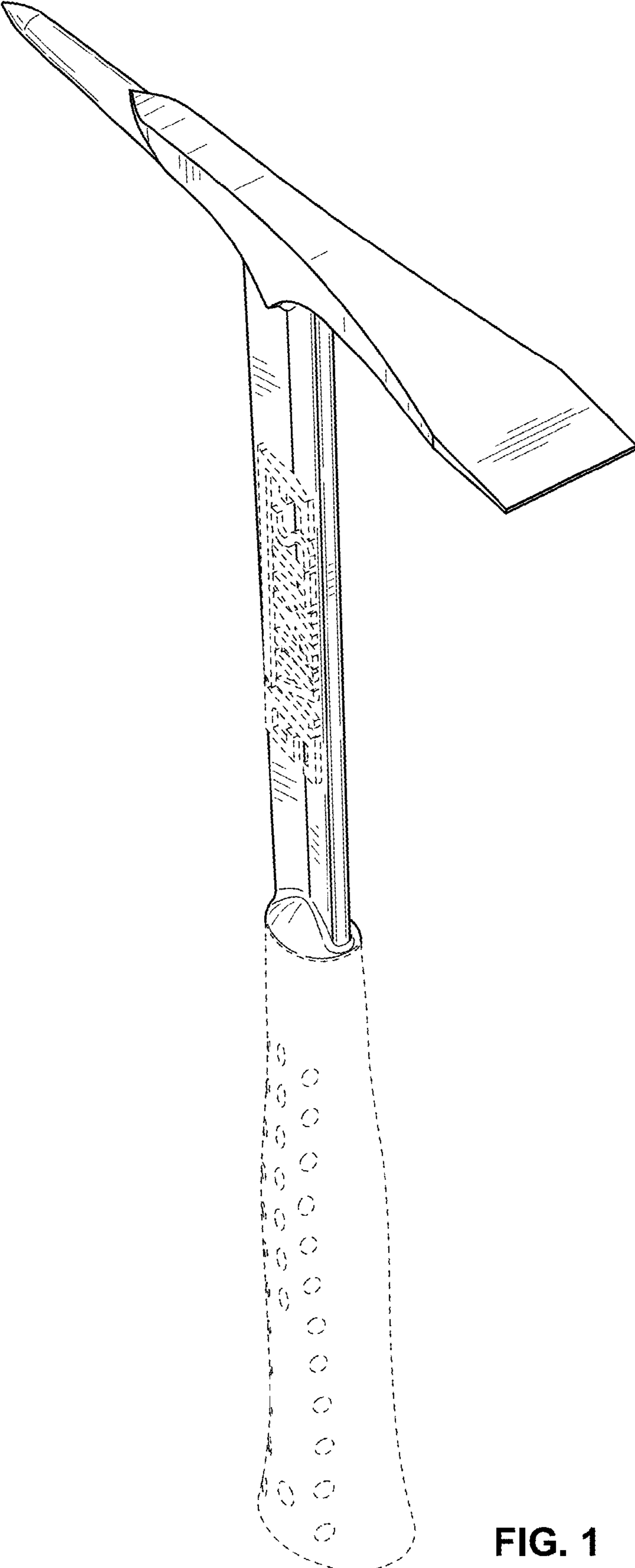
FIG. 6 is a top plan view of the pick of FIG. 1; and,

FIG. 7 is a bottom plan view of the pick of FIG. 1.

The dashed lines, including those showing the indicia on the shaft of the pick, are for the purpose of illustrating environmental structure and form no part of the claimed design.

**1 Claim, 5 Drawing Sheets**





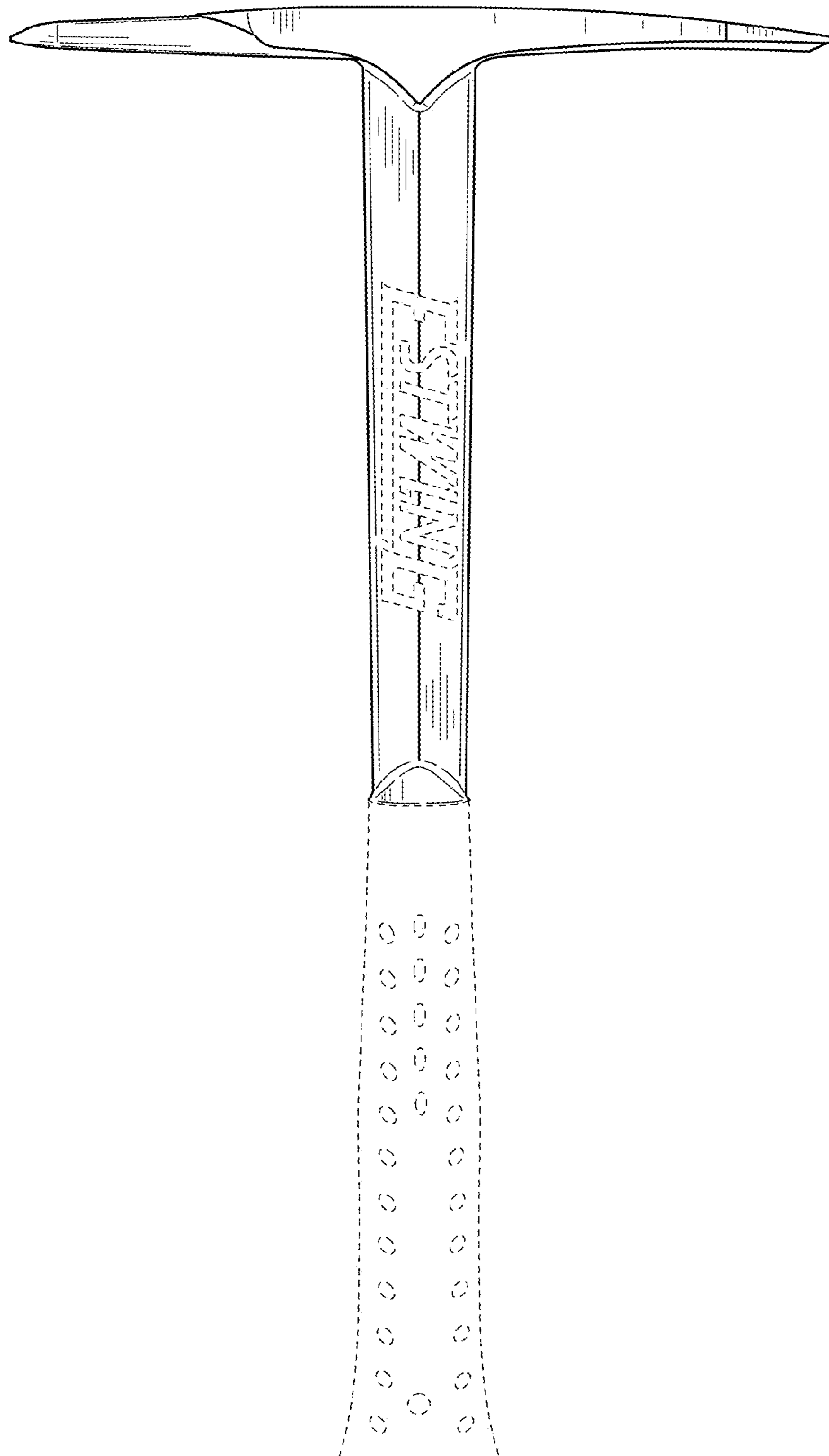


FIG. 2

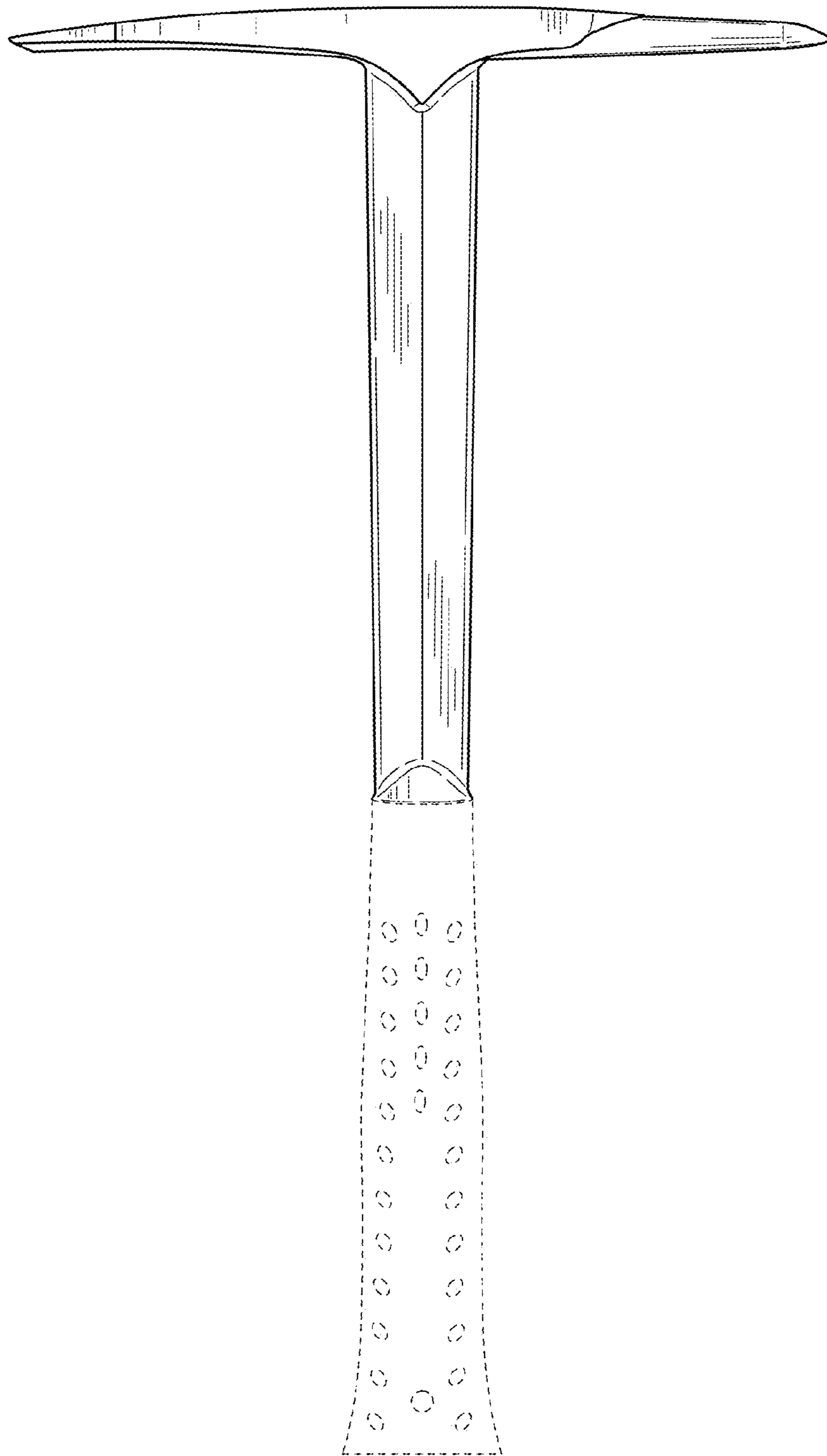


FIG. 3

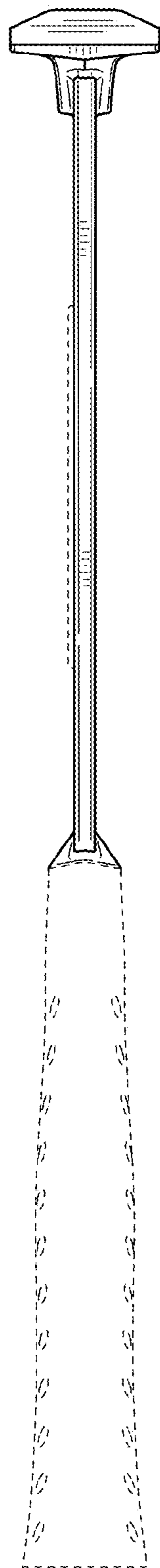


FIG. 4

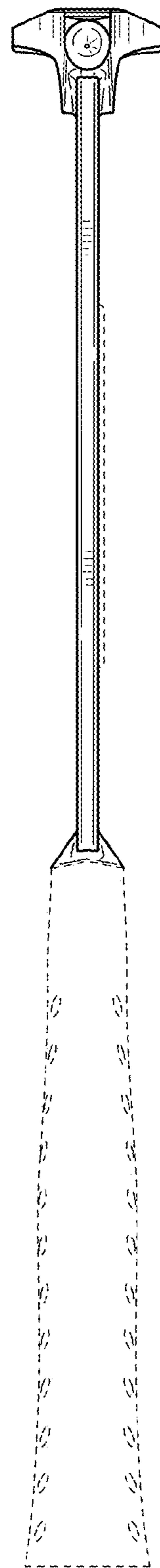


FIG. 5

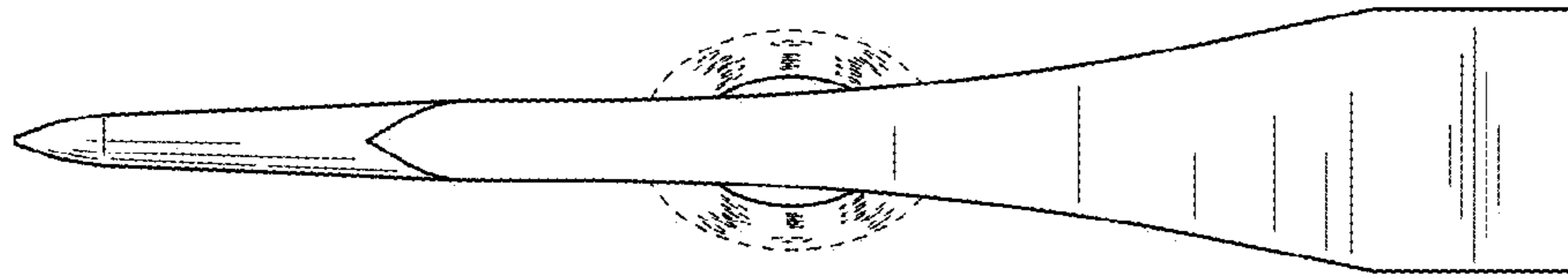


FIG. 6

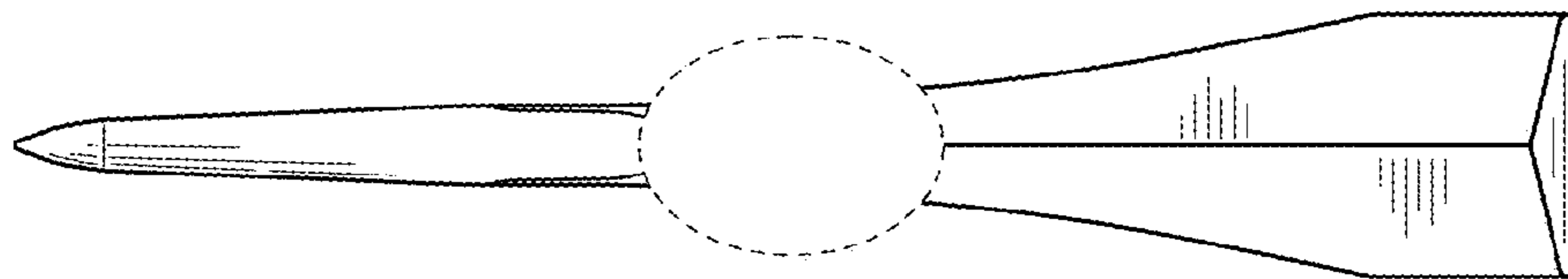


FIG. 7