



US00D730133S

(12) **United States Design Patent**  
**Sun**

(10) **Patent No.:** **US D730,133 S**

(45) **Date of Patent:** **\*\* May 26, 2015**

- (54) **BOTTLE OPENER WITH KNIFE SHARPENER**
- (71) Applicant: **Shanghai Easy-use Tools Enterprise Co., Ltd, Shanghai (CN)**
- (72) Inventor: **Shiyu Sun, Shanghai (CN)**
- (73) Assignee: **SHANGHAI EASY-USE TOOLS ENTERPRISE CO., LTD, Shanghai (CN)**

7,240,589	B2 *	7/2007	Kehoe	81/3.09
D575,130	S *	8/2008	Smith	D8/93
D587,549	S *	3/2009	Smith	D8/93
D591,118	S *	4/2009	Eide et al.	D8/40
7,644,644	B2 *	1/2010	Shikanai et al.	81/3.2
D633,351	S *	3/2011	Welch	D8/38
D674,674	S *	1/2013	Meulendijks	D8/38
D675,497	S *	2/2013	Welch	D8/38
D680,845	S *	4/2013	Smith et al.	D8/93
D692,288	S *	10/2013	Locklear	D8/98

\* cited by examiner

*Primary Examiner* — Elizabeth Albert

(74) *Attorney, Agent, or Firm* — CBM Patent Consulting, LLC

- (\*\*) Term: **14 Years**
- (21) Appl. No.: **29/493,023**
- (22) Filed: **Jun. 5, 2014**

**Related U.S. Application Data**

- (63) Continuation-in-part of application No. 29/444,987, filed on Feb. 6, 2013, now abandoned.

- (51) **LOC (10) Cl.** ..... **07-99**
- (52) **U.S. Cl.**  
USPC ..... **D8/35**

- (58) **Field of Classification Search**  
CPC ..... B67B 7/02; B67B 7/04; B67B 7/0405; B67B 7/0411; B67B 7/12; B67B 7/16; B67B 7/18; B67B 7/24; B67B 7/30; B67B 7/44  
USPC ..... D8/16, 18, 33-43, 91-93, 98, 103-105  
See application file for complete search history.

- (56) **References Cited**

**U.S. PATENT DOCUMENTS**

D453,455	S *	2/2002	Kelleghan	D8/38
D484,015	S *	12/2003	Johnson	D8/33
D499,004	S *	11/2004	Smith	D8/93

(57) **CLAIM**

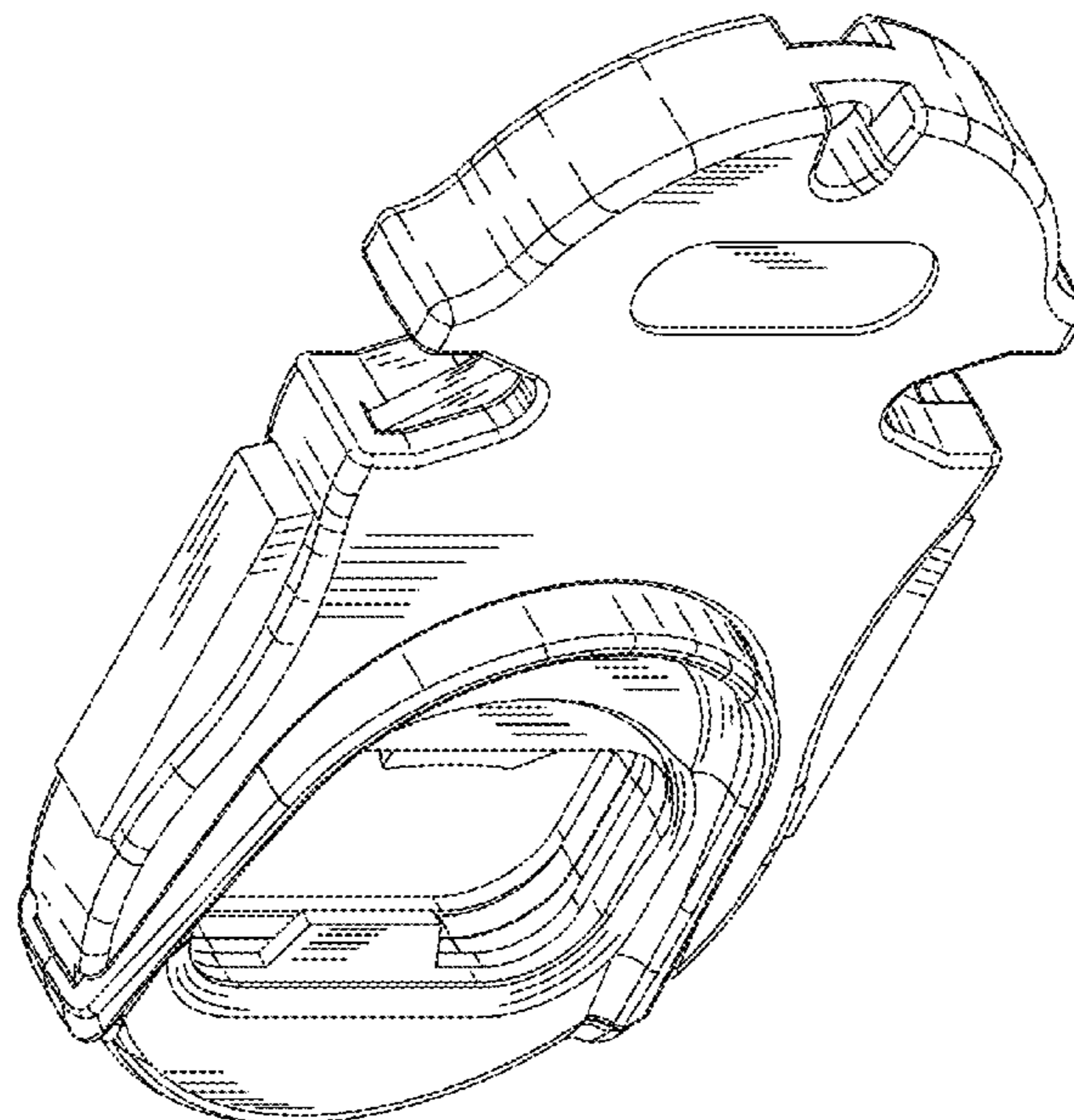
The ornamental design for a bottle opener with knife sharpener, as shown and described.

**DESCRIPTION**

FIG. 1 is a perspective view of a bottle opener with knife sharpener showing our new ornamental design;  
 FIG. 2 is a front view thereof;  
 FIG. 3 is an inverted rear view thereof;  
 FIG. 4 is a bottom plan view thereof;  
 FIG. 5 is a top plan view thereof;  
 FIG. 6 is a right side elevational view thereof rotated 90 degrees; and,  
 FIG. 7 is a left side elevational view thereof also rotated 90 degrees.

The present invention relates to an ornamental design for bottle opener that can also be used for knife sharpening.

**1 Claim, 7 Drawing Sheets**



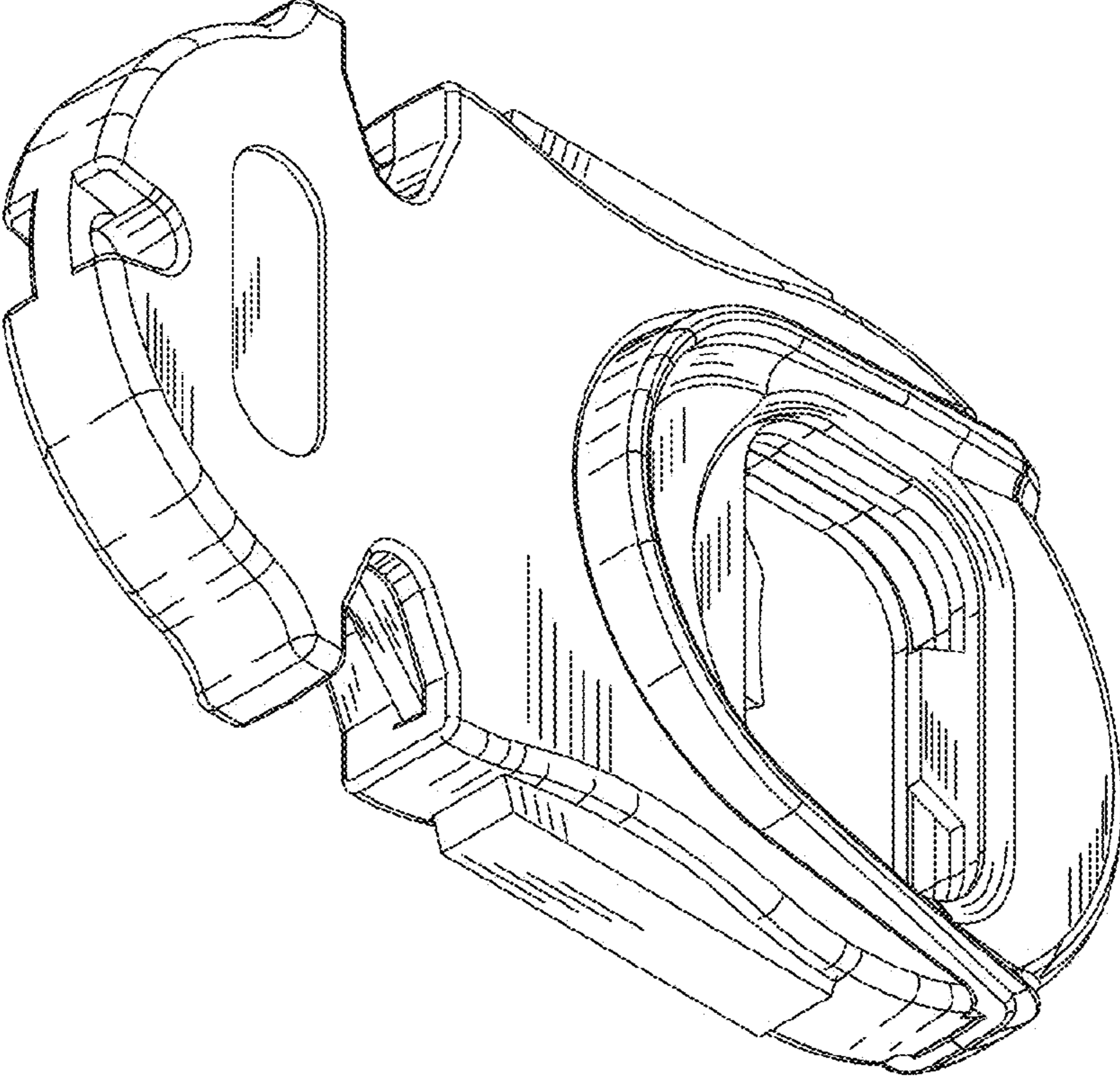


FIG. 1

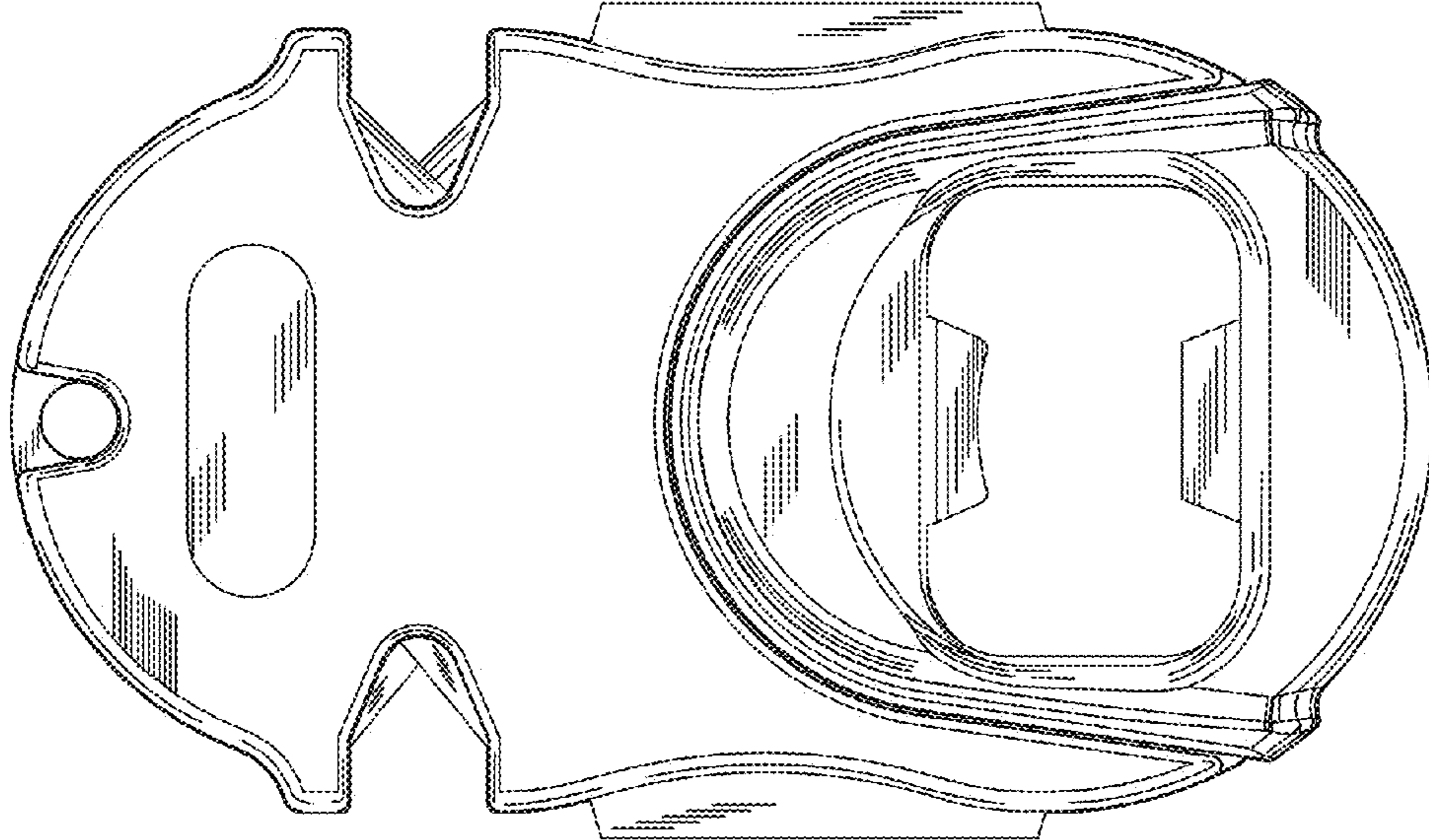


FIG. 2

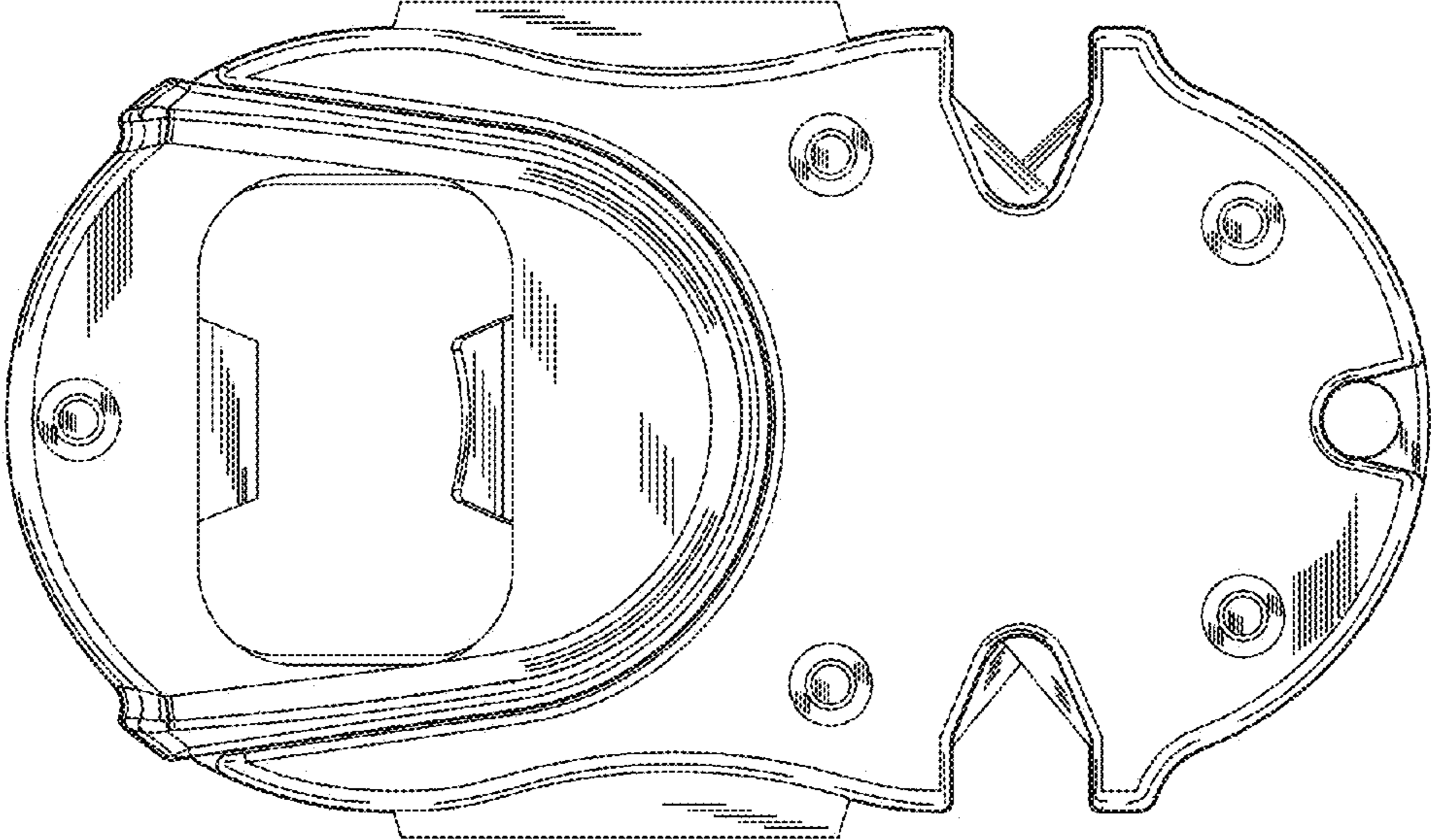


FIG. 3

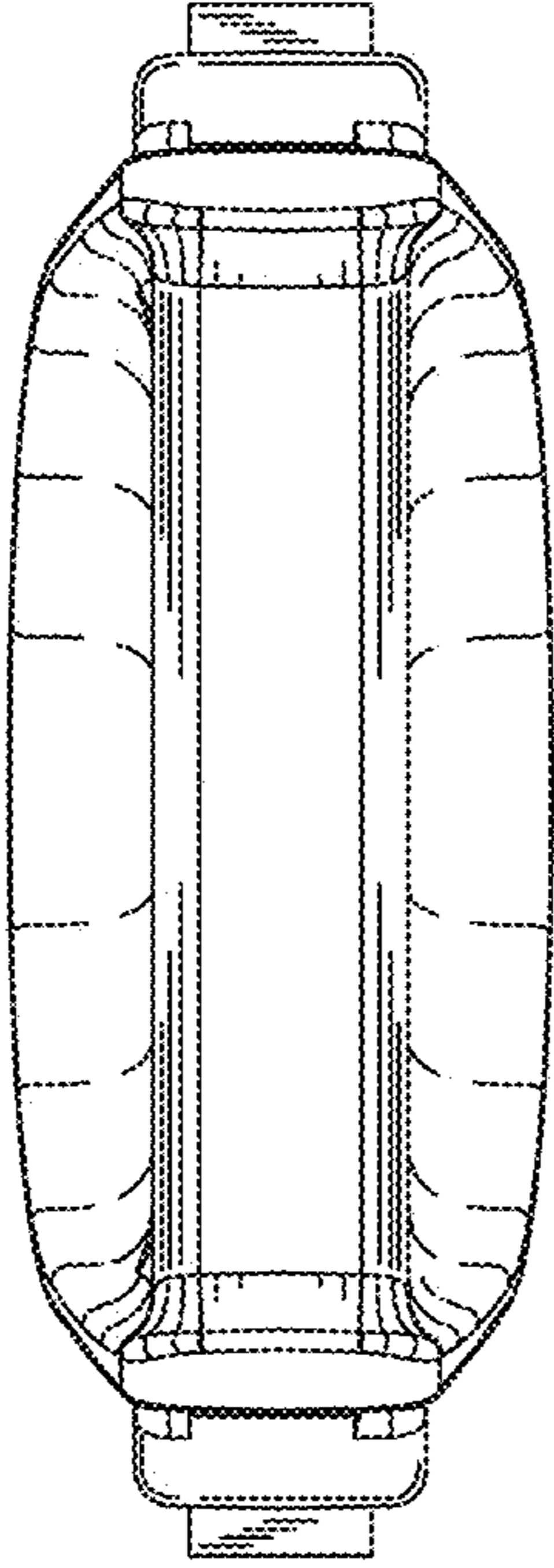


FIG. 4

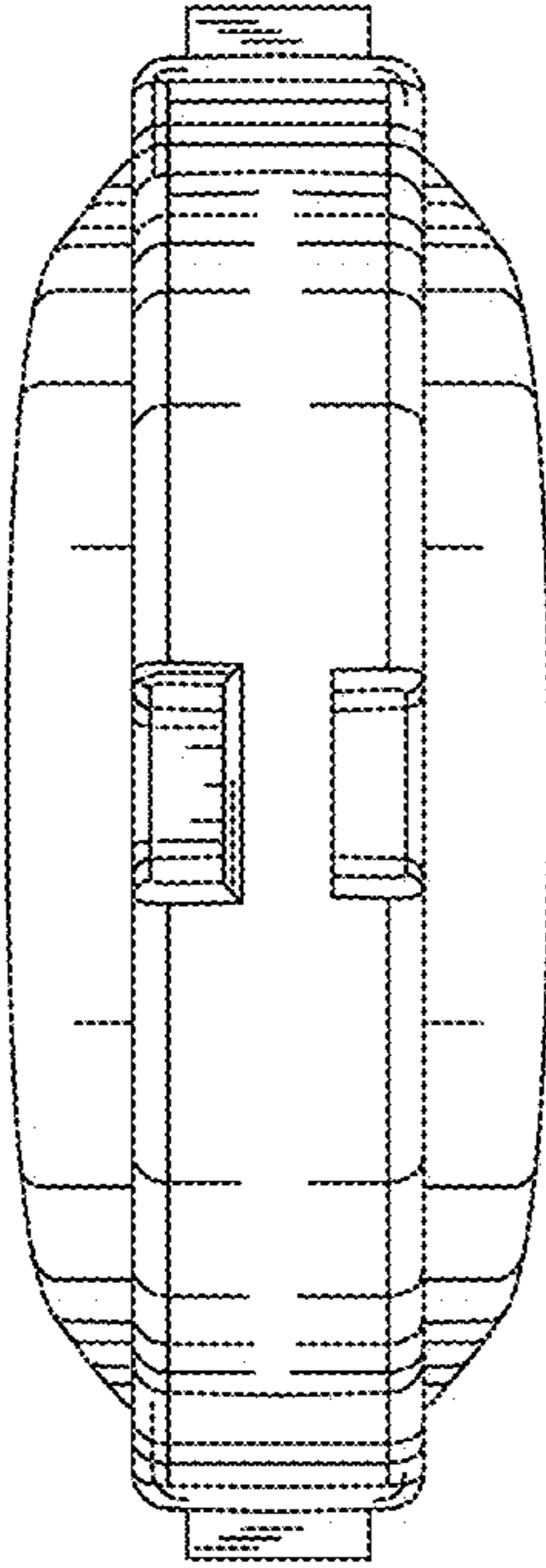


FIG. 5

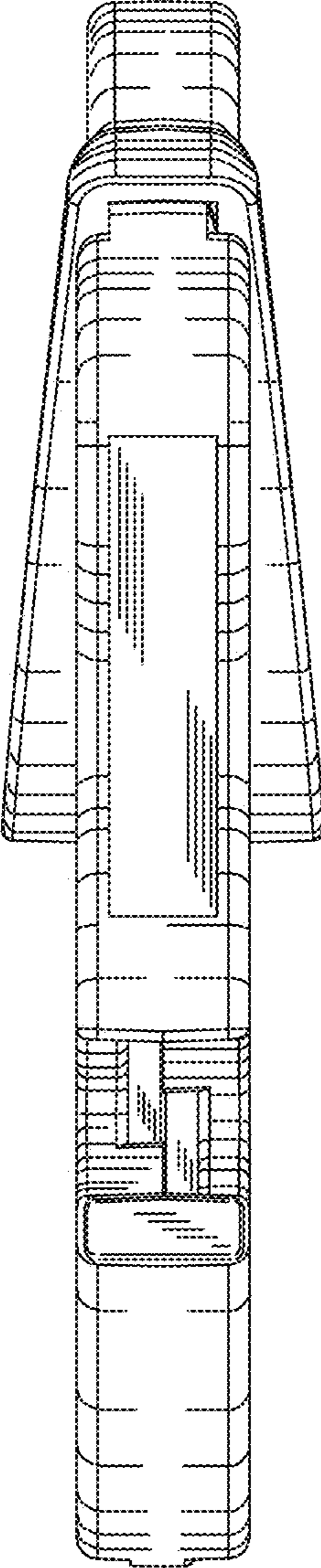


FIG. 6

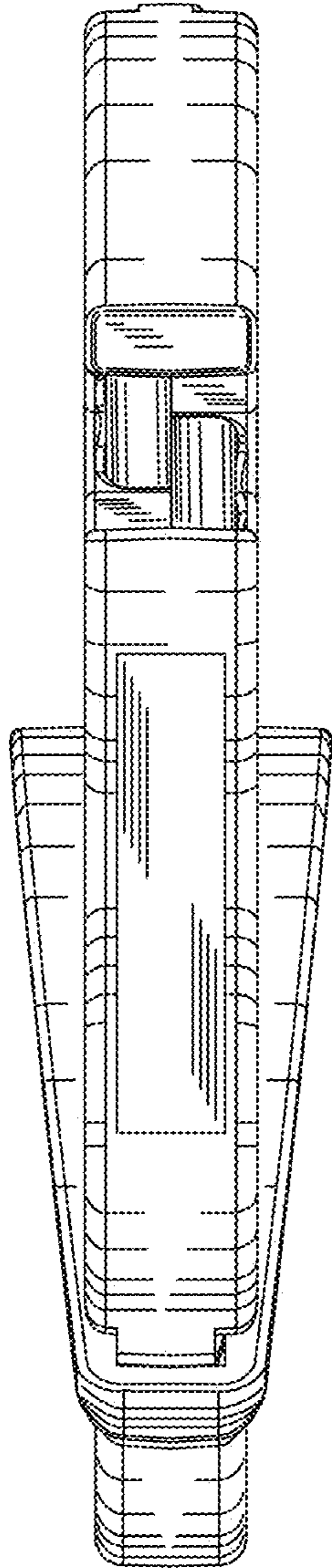


FIG. 7