



US00D730132S

(12) **United States Design Patent**
Szanto

(10) **Patent No.:** **US D730,132 S**
(45) **Date of Patent:** **** May 26, 2015**

- (54) **SPHERICAL SAW BLADE**
- (71) Applicant: **Zsigmond Szanto**, Twin Falls, ID (US)
- (72) Inventor: **Zsigmond Szanto**, Twin Falls, ID (US)
- (**) Term: **14 Years**
- (21) Appl. No.: **29/454,095**
- (22) Filed: **May 6, 2013**

- 5,092,050 A 3/1992 Bardeen
- 5,122,142 A 6/1992 Pascaloff
- 5,169,401 A 12/1992 Lester et al.
- 5,318,570 A 6/1994 Hood et al.
- 5,514,141 A 5/1996 Prizzi

(Continued)

FOREIGN PATENT DOCUMENTS

- DE 19723718 A1 12/1998
- WO 2006-059120 6/2006

(Continued)

OTHER PUBLICATIONS

Principles of Deformity Correction, Dror Paley, Springer-Verlag, 2003, Berlin Germany.

(Continued)

Primary Examiner — Sheryl Lane
Assistant Examiner — Ieisha Price
(74) *Attorney, Agent, or Firm* — TraskBritt, P.C.

(57) **CLAIM**
The ornamental design for a spherical saw blade, as shown and described.

DESCRIPTION

FIG. 1 is a perspective view of the spherical saw blade; FIG. 2 is another perspective view of the spherical saw blade; FIG. 3 is a side view thereof; FIG. 4 is a front view thereof; FIG. 5 is a back view thereof; and, FIG. 6 is a view showing spherical saw blade in an environment of use. The dot-dash-dot lines in the drawings illustrate portions of the spherical saw blade which form no part of the claimed design.

1 Claim, 3 Drawing Sheets

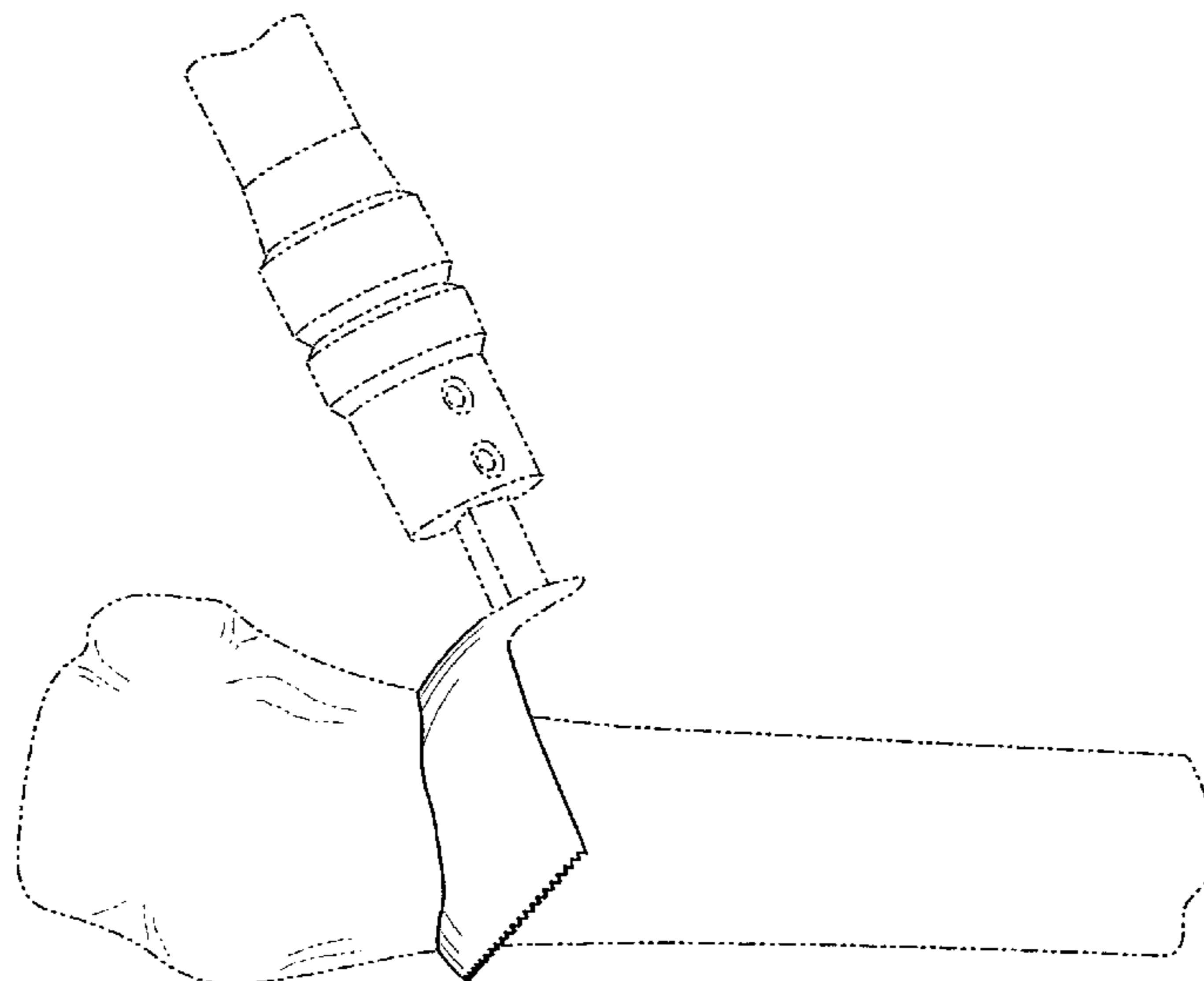
Related U.S. Application Data

- (63) Continuation of application No. 12/211,063, filed on Sep. 15, 2008, now Pat. No. 8,535,317.
- (51) **LOC (10) Cl.** **08-03**
- (52) **U.S. Cl.**
USPC **D8/20**; D24/133; D24/146
- (58) **Field of Classification Search**
USPC 83/746, 782, 651, 835, 697, 701; 30/1, 30/165, 166.3, 193, 296.1, 346, 355, 357; D8/1, 9, 10, 14, 16, 20, 51, 60, 61, 64, D8/70, 95, 499; D24/133, 146, 231; 408/54, 55, 72 R; 606/79, 82, 85, 171, 606/176, 177, 178, 179, 180
See application file for complete search history.

(56) **References Cited**

U.S. PATENT DOCUMENTS

- 255,923 A * 4/1882 Bradner 294/176
- 1,271,287 A * 7/1918 Daly 294/181
- 2,210,623 A 8/1940 Kelly
- 2,557,364 A * 6/1951 Treace 606/178
- 3,554,197 A * 1/1971 Dobbie 606/178
- 4,069,824 A 1/1978 Weinstock
- 4,349,058 A 9/1982 Comparetto
- 4,952,214 A 8/1990 Comparetto
- 4,955,888 A 9/1990 Slocum
- 5,035,698 A * 7/1991 Comparetto 606/82
- 5,087,261 A * 2/1992 Ryd et al. 606/82



(56)

References Cited

U.S. PATENT DOCUMENTS

5,566,458 A 10/1996 Bednar et al.
 5,643,270 A 7/1997 Combs
 5,682,886 A 11/1997 Delp et al.
 5,765,648 A * 6/1998 Sheehan et al. 172/381
 5,897,558 A * 4/1999 Frieze et al. 606/81
 6,190,390 B1 2/2001 McAllister
 6,238,126 B1 5/2001 Dall
 6,375,684 B1 4/2002 Kriek
 6,485,495 B1 11/2002 Jenkinson
 7,189,036 B1 3/2007 Watson
 D661,958 S * 6/2012 Pizzeta D8/11
 8,518,045 B2 * 8/2013 Szanto 606/86 R
 8,535,317 B2 * 9/2013 Szanto 606/86 R
 8,636,739 B2 * 1/2014 Fisher et al. 606/82
 8,915,922 B2 * 12/2014 Szanto et al. 606/87
 2004/0034382 A1 * 2/2004 Thomas 606/180
 2005/0130774 A1 6/2005 Wohlfeil et al.
 2005/0273112 A1 12/2005 McNamara
 2006/0229621 A1 10/2006 Cadmus
 2008/0287954 A1 11/2008 Kunz et al.
 2009/0013540 A1 * 1/2009 Bohne 30/388
 2009/0076513 A1 3/2009 Szanto
 2010/0234844 A1 9/2010 Edelhauser et al.
 2012/0186413 A1 * 7/2012 Schroeder 83/697
 2013/0008033 A1 * 1/2013 Fortman 30/278
 2013/0144292 A1 * 6/2013 To 606/79

FOREIGN PATENT DOCUMENTS

WO 2009035670 A2 3/2009
 WO 2009035670 A3 5/2009

OTHER PUBLICATIONS

Principles of Uniapical and Biapical Radial Deformity Correction Using Dome Osteotomies and the Center of Rotation of Angulation Methodology in Dogs. Abstract, Derek B. Fox, DVM, PhD, Diplomate ACVS, James L. Tomlinson, DVM, MVSci, Diplomate ACVS, James L. Cook, DVM, PhD, Diplomate ACVS, and Lee M. Breshears, DVM. *Veterinary Surgery*, 35:67-77, 2006.
 Weisstein, "Spherical Geometry" from MathWorld—A Wolfram Web Resource, visited 2/31/2011.
 Introduction to Spherical Geometry (last modified Apr. 28, 2011).
 The Geometry of the Sphere 1.-3., visited 2/31/2011.
 Spherical Geometry—EscherMath, visited 2/31/2011.
 International Preliminary Report on Patentability for PCT/US2008/010672, mailed Mar. 25, 2010, 9 pages.
 PCT International Search Report for International Application No. PCT/US2008/010672, mailed Apr. 13, 2009, 4 pages.
 PCT Written Opinion for International Application No. PCT/US2008/010672, mailed Apr. 13, 2009, 6 pages.

* cited by examiner

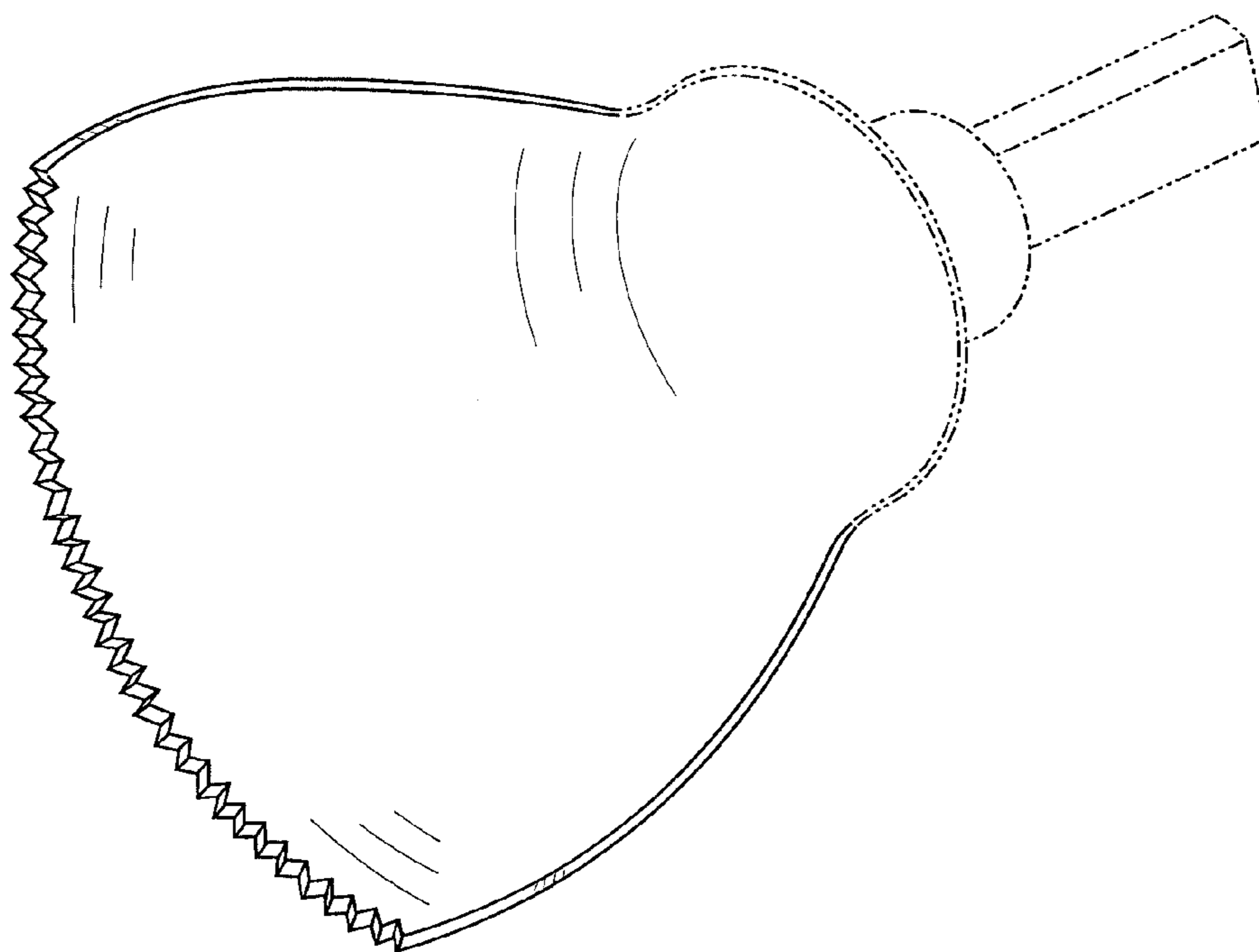


FIG. 1

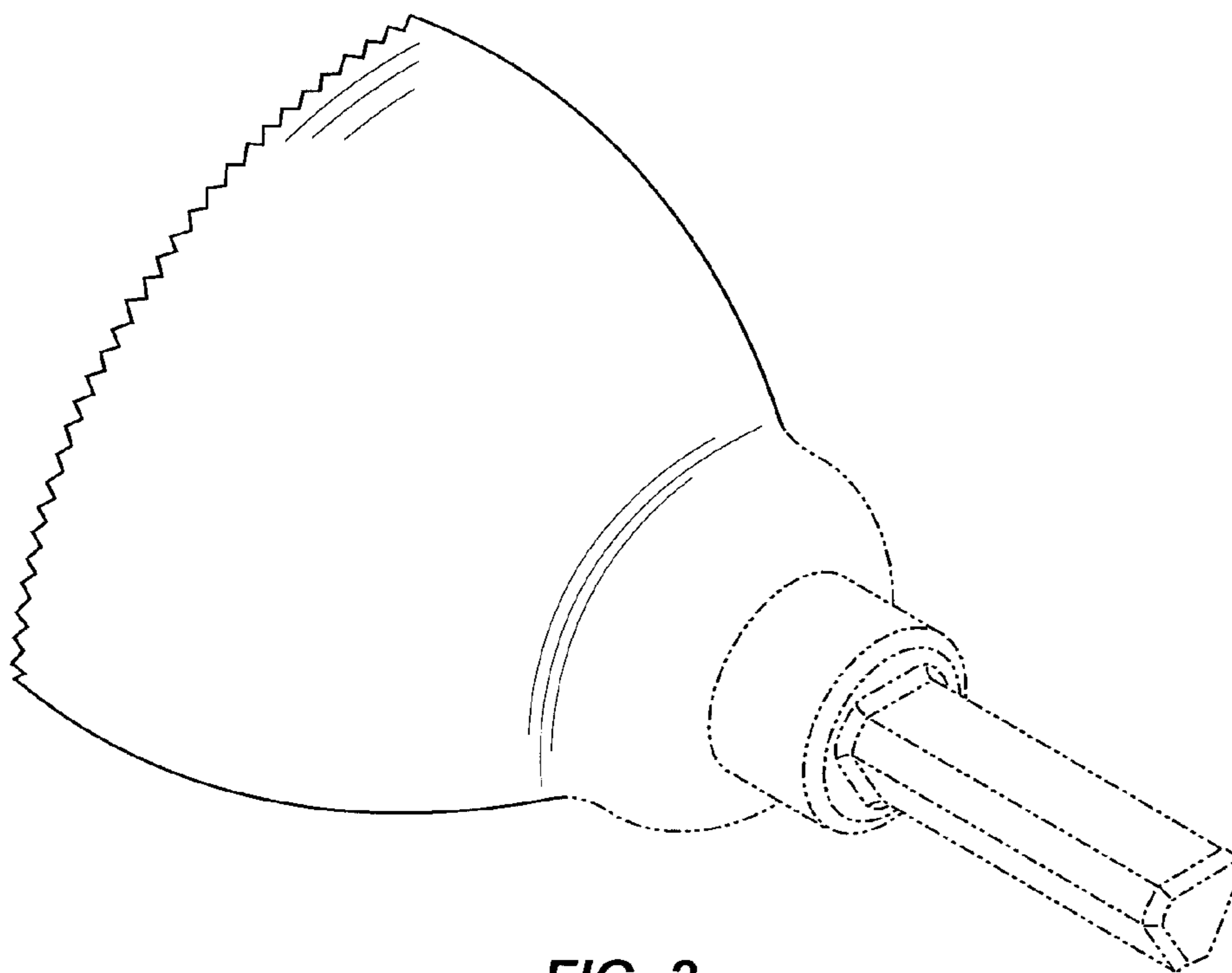


FIG. 2

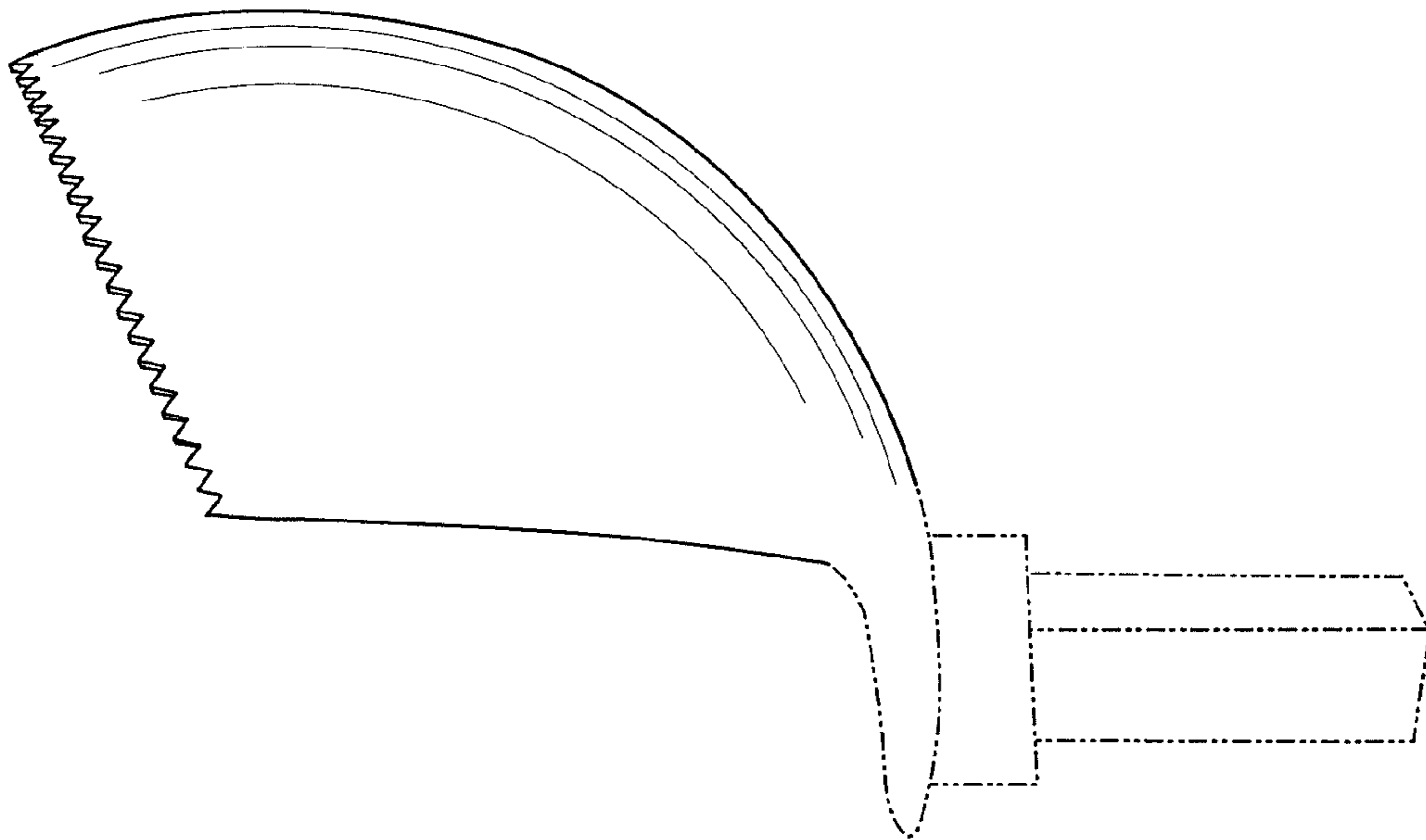


FIG. 3

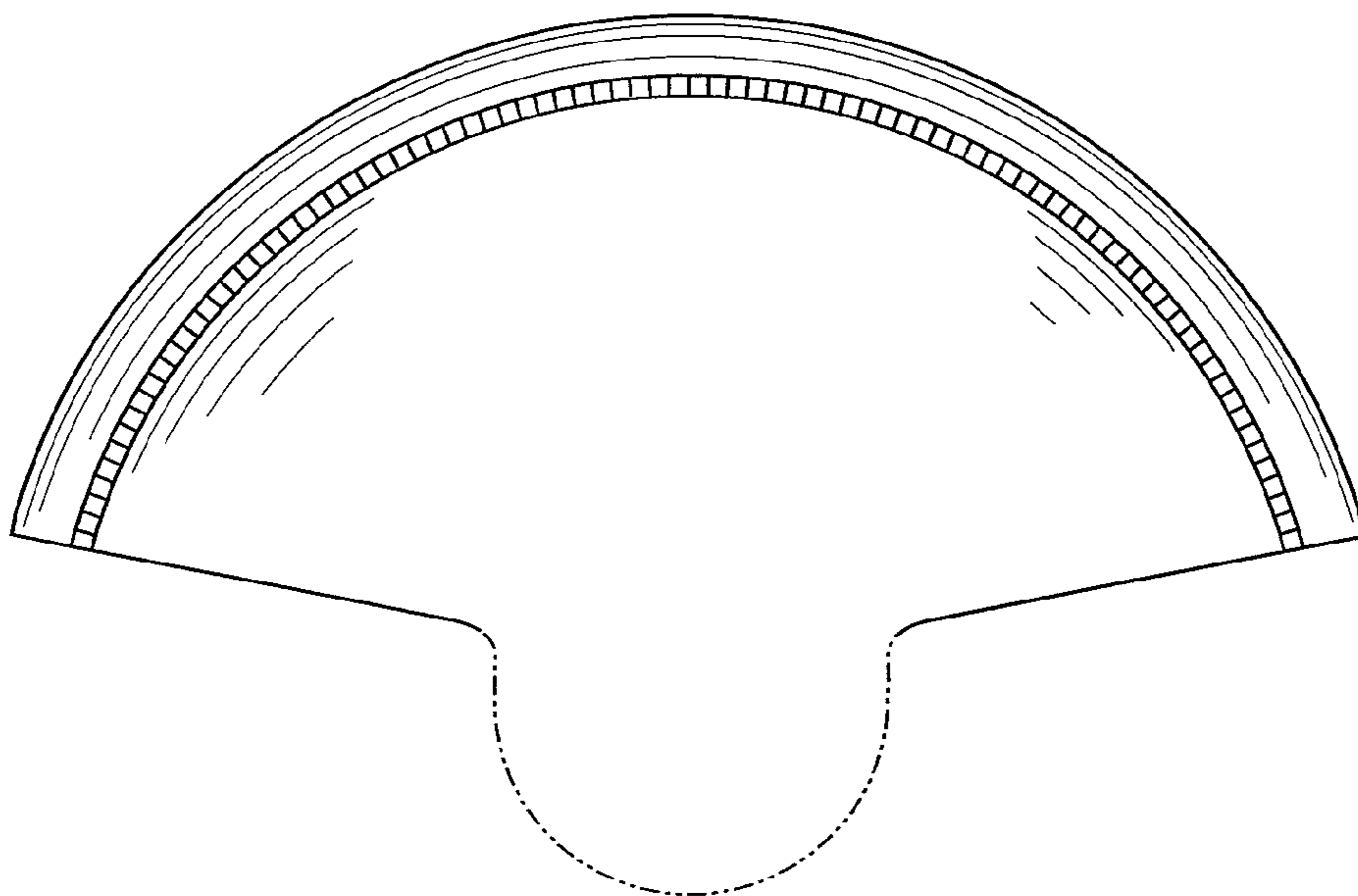


FIG. 4

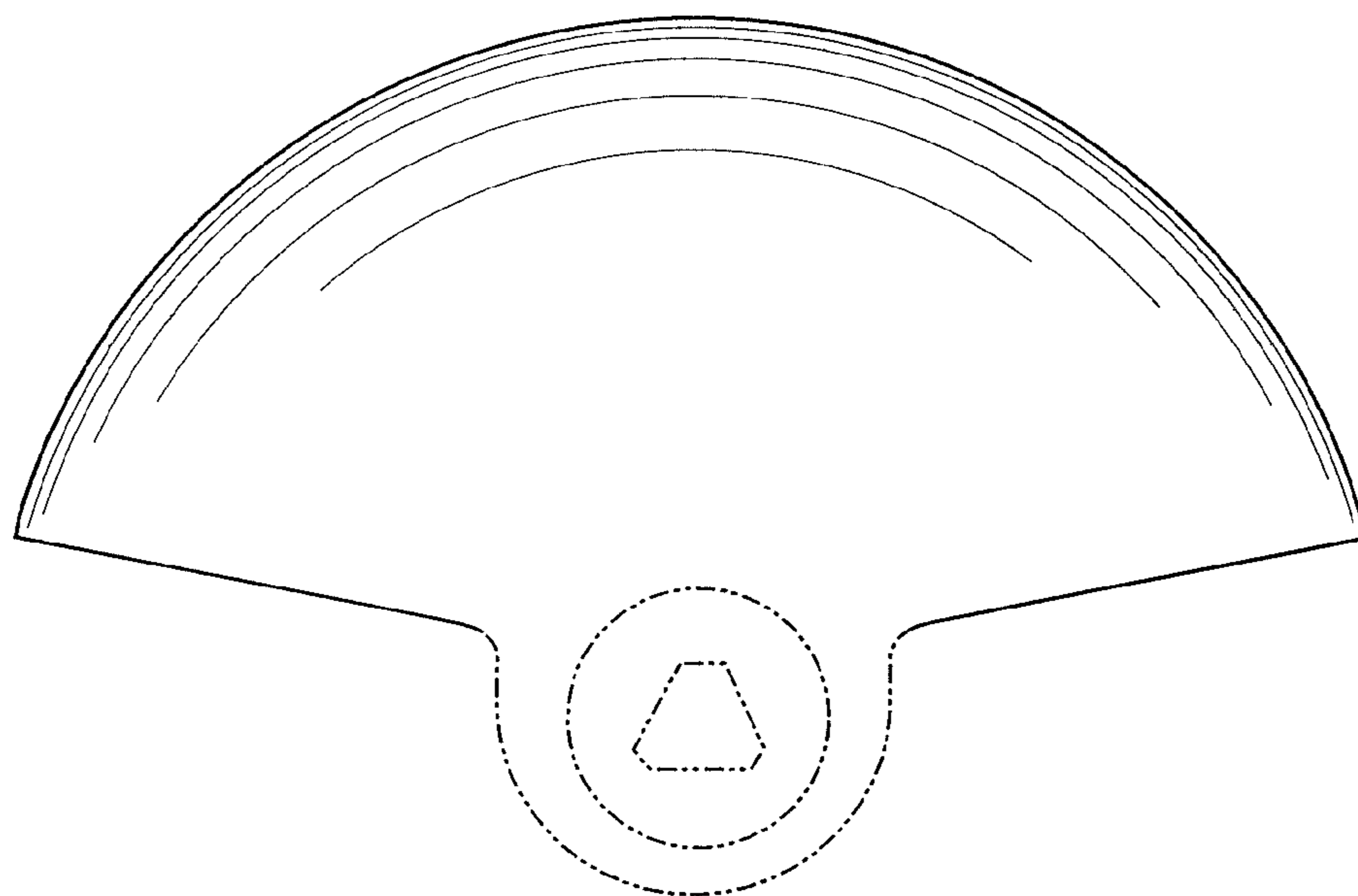


FIG. 5

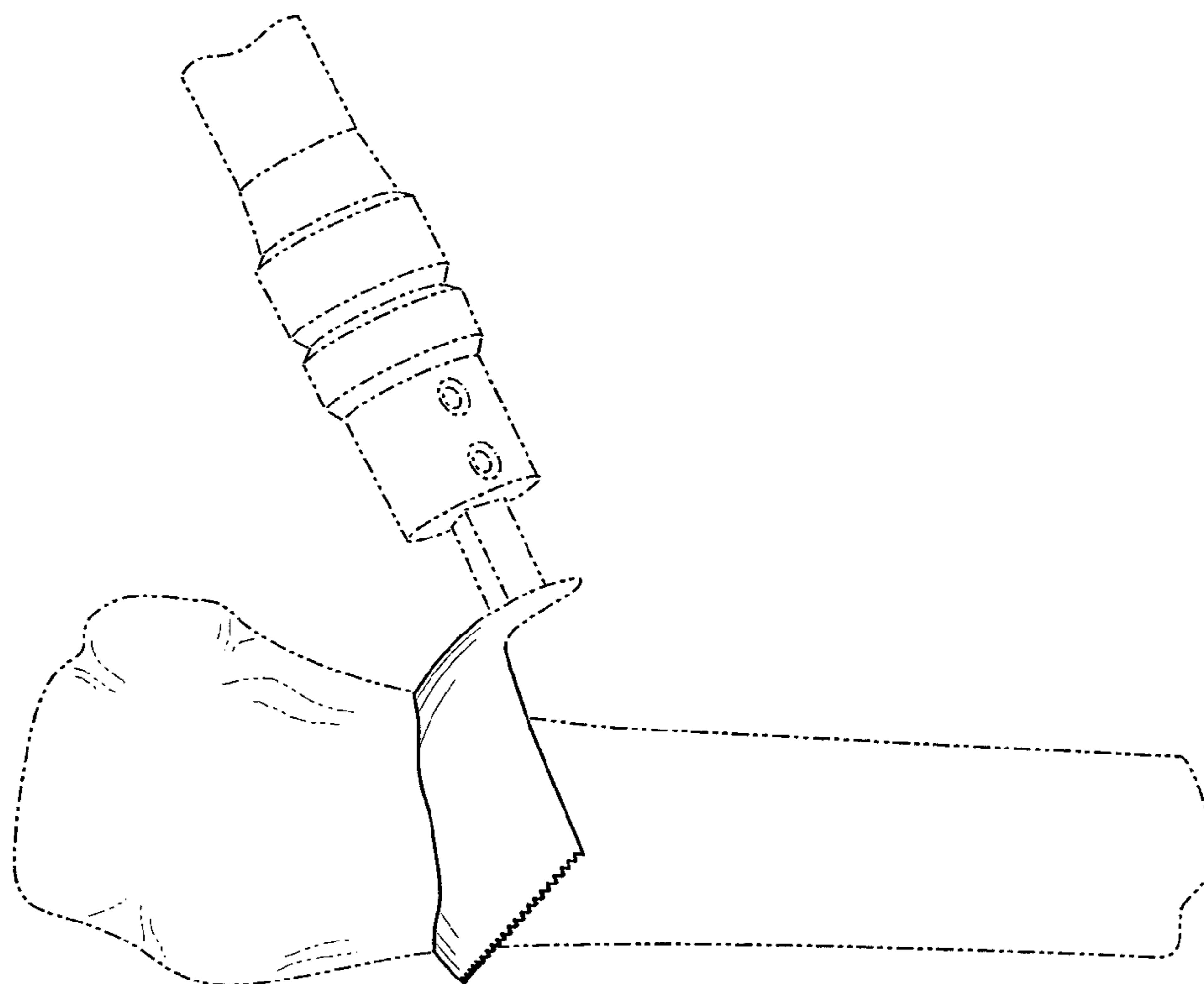


FIG. 6