



US00D730126S

(12) **United States Design Patent**  
**Wall**

(10) **Patent No.:** **US D730,126 S**

(45) **Date of Patent:** **\*\* May 26, 2015**

(54) **COASTER WITH AIR FLOW DESIGN**

(56) **References Cited**

(71) Applicant: **Marty Guy Wall**, Goodlettsville, TN  
(US)

U.S. PATENT DOCUMENTS

(72) Inventor: **Marty Guy Wall**, Goodlettsville, TN  
(US)

5,743,506 A *	4/1998	Adams	.....	248/346.11
D441,441 S *	5/2001	Upson	.....	D23/366
D677,994 S *	3/2013	Williams	.....	D7/624.1
D696,077 S *	12/2013	Williams	.....	D7/624.1
2012/0223089 A1 *	9/2012	Moore	.....	220/703

(\*\*) Term: **14 Years**

\* cited by examiner

(21) Appl. No.: **29/479,181**

*Primary Examiner* — Terry Wallace

(22) Filed: **Jan. 13, 2014**

(57) **CLAIM**

The ornamental design for a coaster with air flow design, as shown and described.

(51) **LOC (10) Cl.** ..... **07-06**

**DESCRIPTION**

(52) **U.S. Cl.**

USPC ..... **D7/624.1**

(58) **Field of Classification Search**

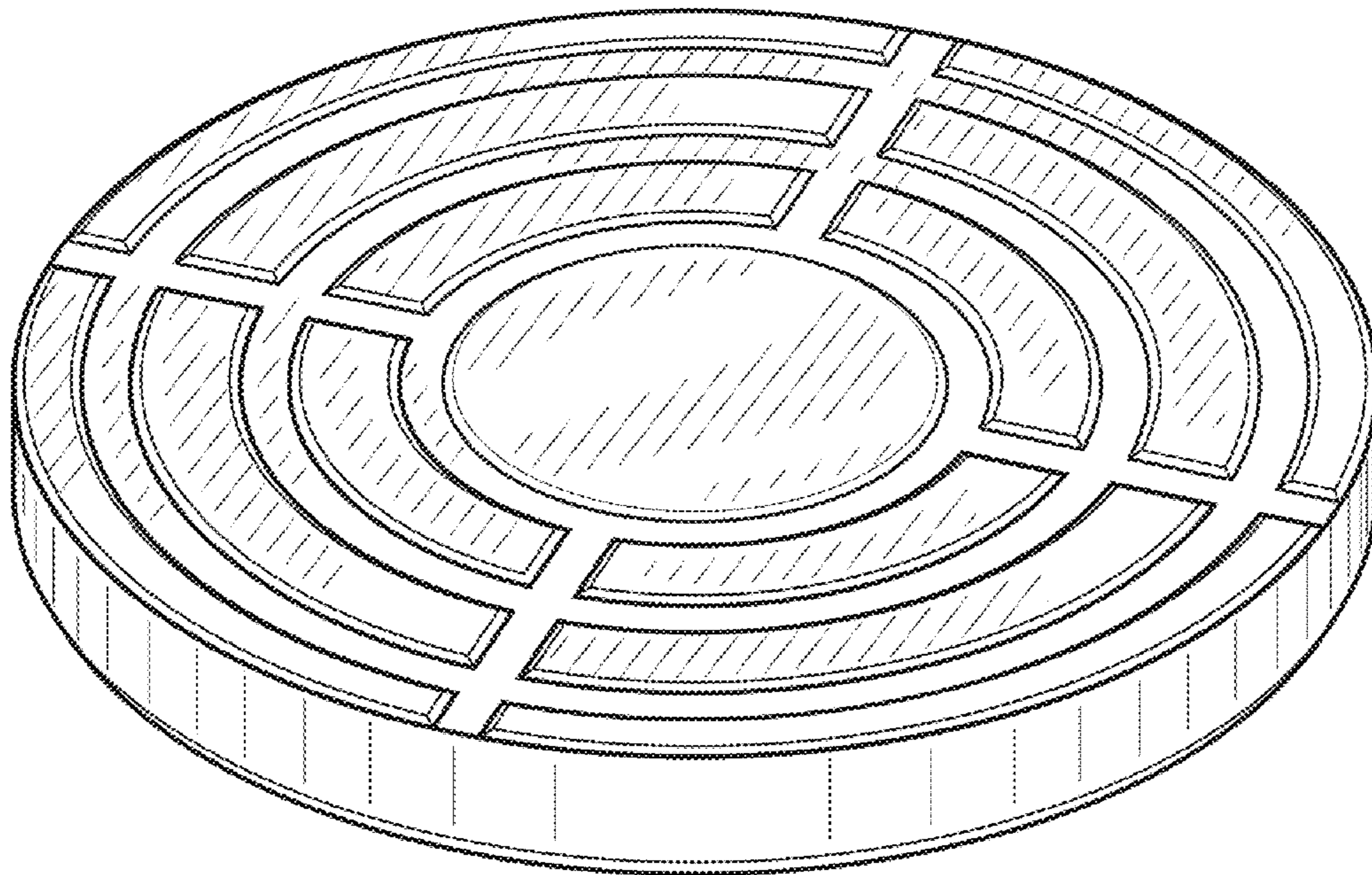
CPC ..... A47B 91/12; A47G 28/03; A47G 23/03;  
A47G 23/032

FIG. 1 is a isometric view of a coaster with air flow design; FIG. 2 is a front elevation view of the coaster with air flow design; the rear, left, right views being a mirror image thereof; FIG. 3 is a top plan view of a coaster with air flow design; and, FIG. 4 is a bottom plan view of the coaster with air flow design.

USPC ..... D7/619.1–625, 387; 215/393–396;  
248/346.01, 346.11

See application file for complete search history.

**1 Claim, 2 Drawing Sheets**



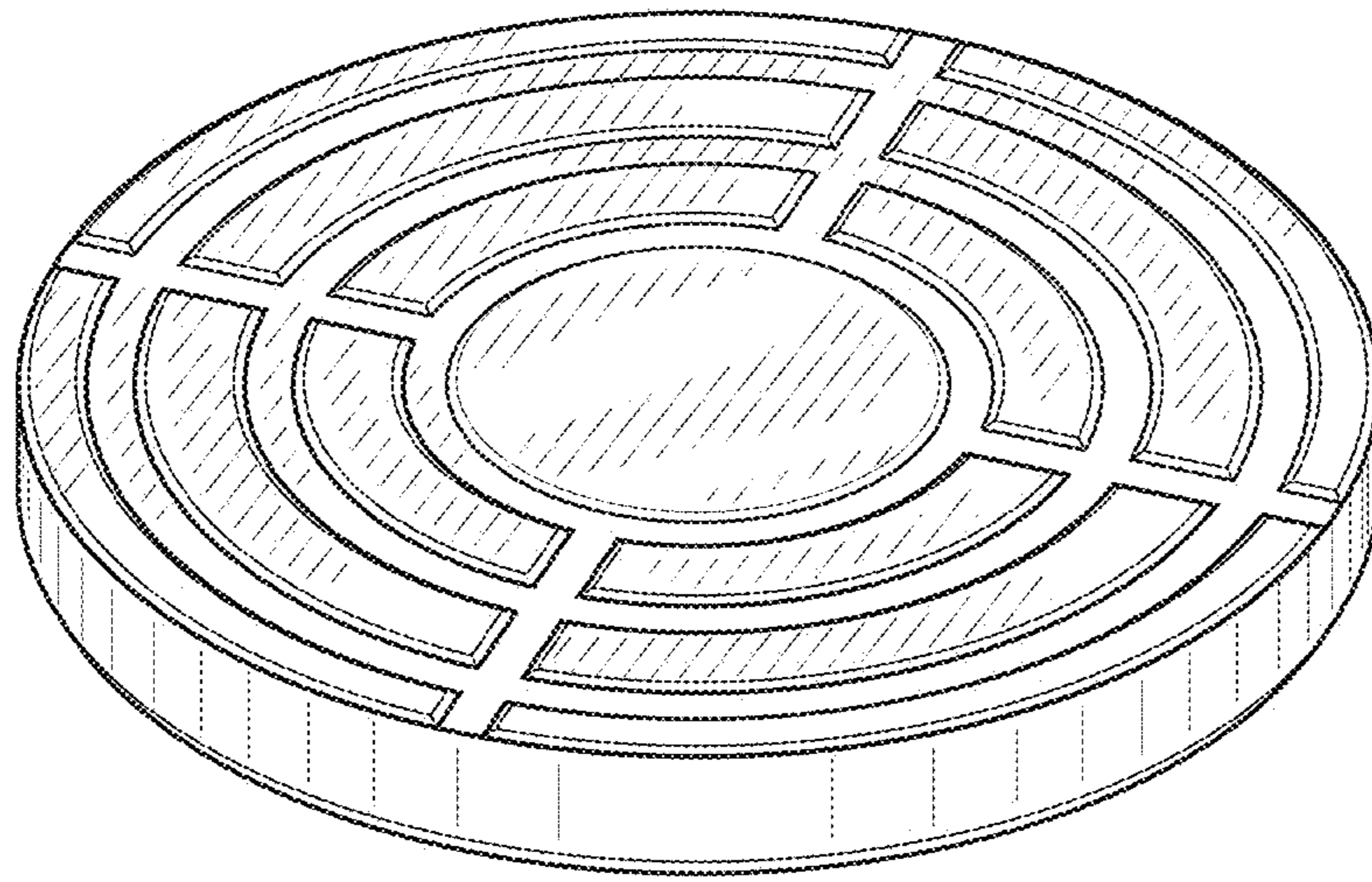


FIG. 1



FIG. 2

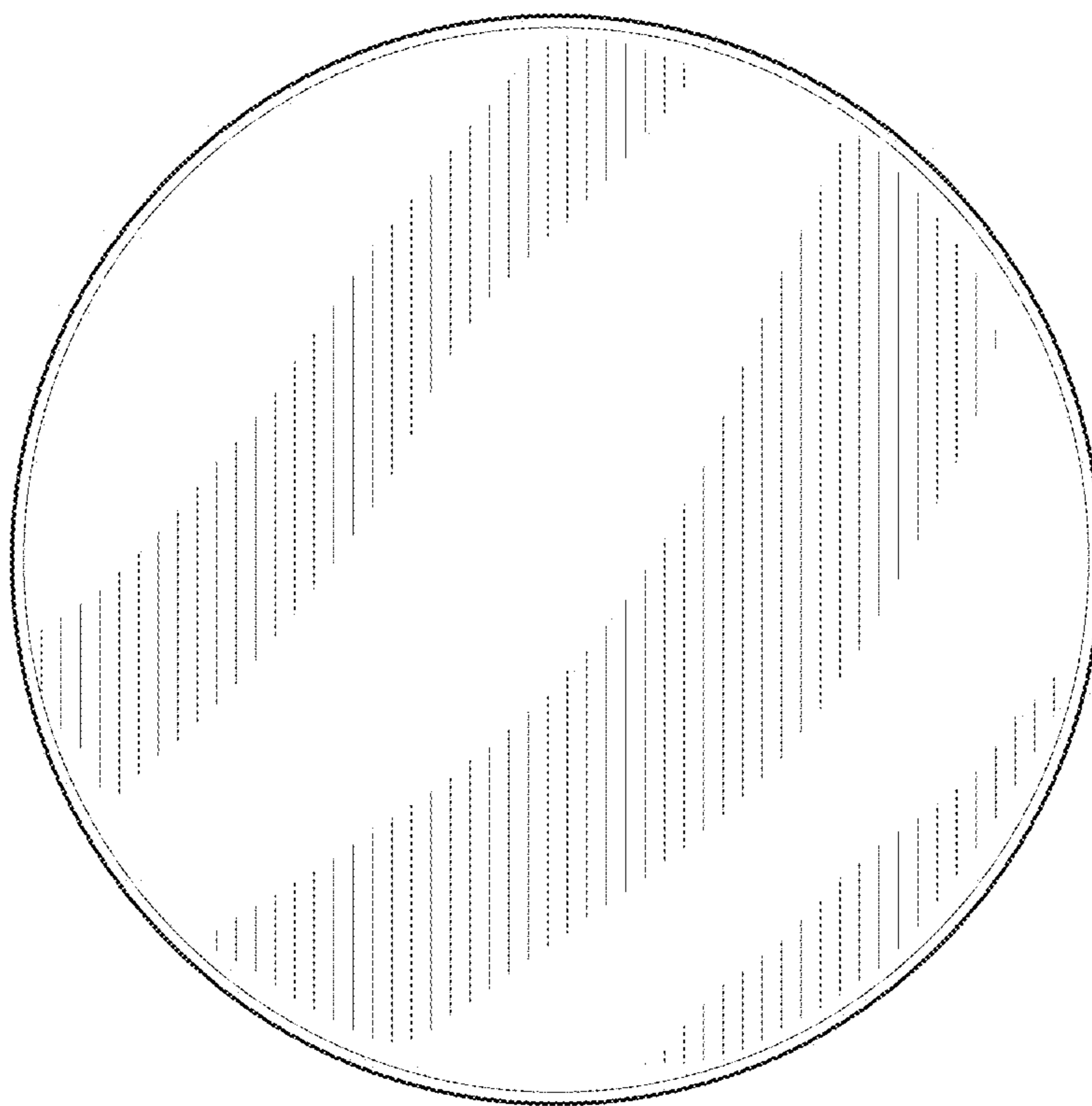


FIG. 3

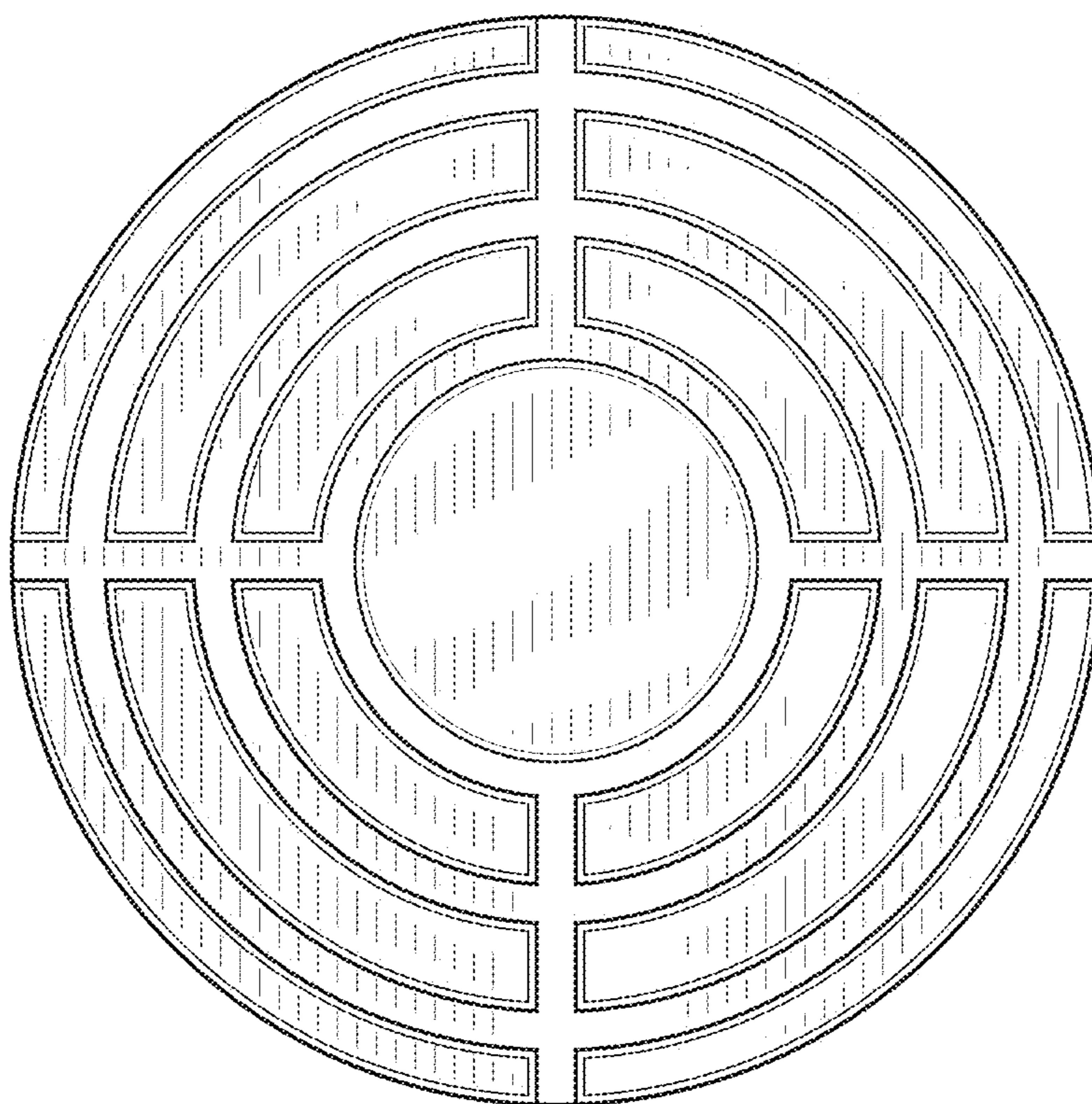


FIG. 4