



US00D730125S

(12) **United States Design Patent**  
**Alyesworth**

(10) **Patent No.:** **US D730,125 S**

(45) **Date of Patent:** **\*\* May 26, 2015**

(54) **GLASS HOLDER**

(71) Applicant: **Michael Alyesworth**, Seattle, WA (US)

(72) Inventor: **Michael Alyesworth**, Seattle, WA (US)

(73) Assignee: **Imagigadget LLC**, Seattle, WA (US)

(\*\*) Term: **14 Years**

(21) Appl. No.: **29/492,363**

(22) Filed: **May 30, 2014**

(51) **LOC (10) Cl.** ..... **07-06**

(52) **U.S. Cl.**  
USPC ..... **D7/620**

(58) **Field of Classification Search**

CPC ..... A45F 5/02; A45F 5/021; A47G 29/18;  
A47B 81/005; A47J 47/16  
USPC ..... D7/619.1-625, 701-708; D6/553, 567;  
248/309.1, 311.2, 312; 211/13.1,  
211/71.01, 70.6, 70.7, 74

See application file for complete search history.

(56) **References Cited**

**U.S. PATENT DOCUMENTS**

7,229,051 B2 \* 6/2007 Mailhot, Jr. .... 248/51  
D618,938 S \* 7/2010 Nielsen ..... D6/553

D668,496 S \* 10/2012 Ho et al. .... D6/553  
2005/0082456 A1 \* 4/2005 Petri et al. .... 248/312  
2010/0012807 A1 \* 1/2010 Perman ..... 248/312

\* cited by examiner

*Primary Examiner* — Terry Wallace

(74) *Attorney, Agent, or Firm* — King IP PLLC; Victor N. King

(57) **CLAIM**

The ornamental design for a glass holder, as shown and described.

**DESCRIPTION**

FIG. 1 is a front perspective view of a glass holder, showing my new design;  
FIG. 2 is a front view thereof;  
FIG. 3 is a rear view thereof;  
FIG. 4 is a first side view thereof;  
FIG. 5 is a second side view thereof;  
FIG. 6 is a top plan view thereof;  
FIG. 7 is a bottom plan view thereof; and,  
FIG. 8 is another front perspective view thereof, showing a first part of the glass holder being removable from a second part of the glass holder.

**1 Claim, 3 Drawing Sheets**

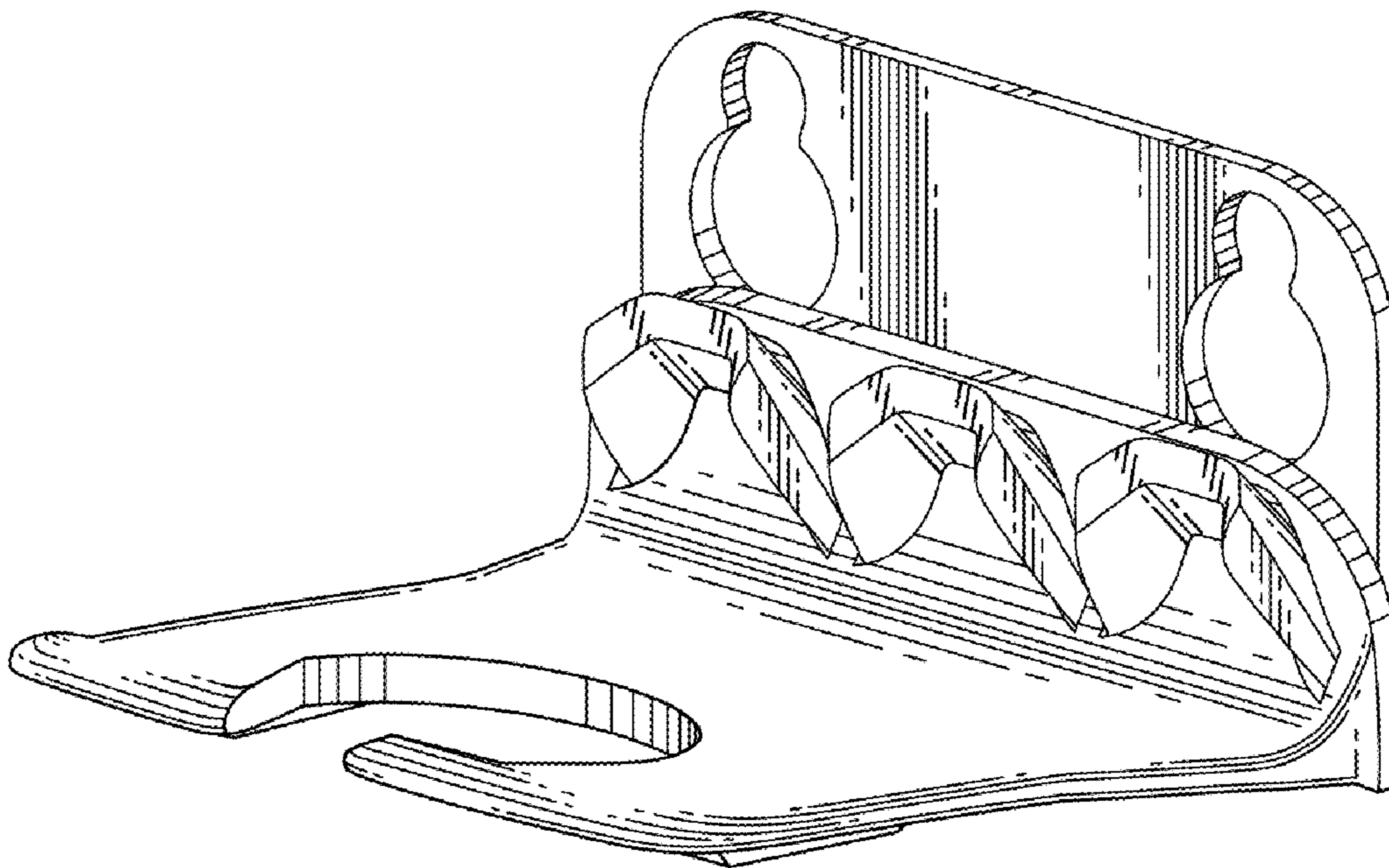


FIG. 1

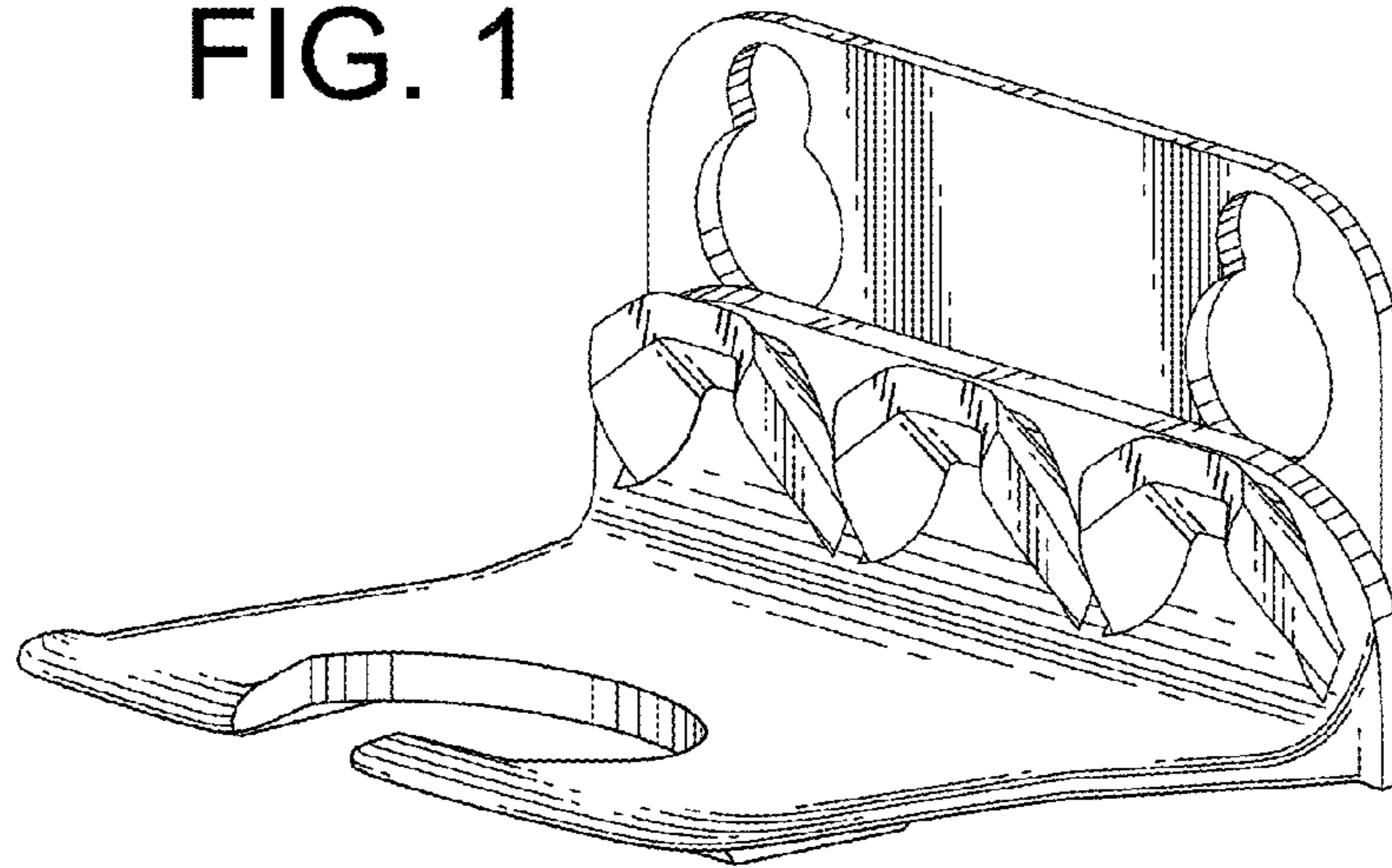


FIG. 2

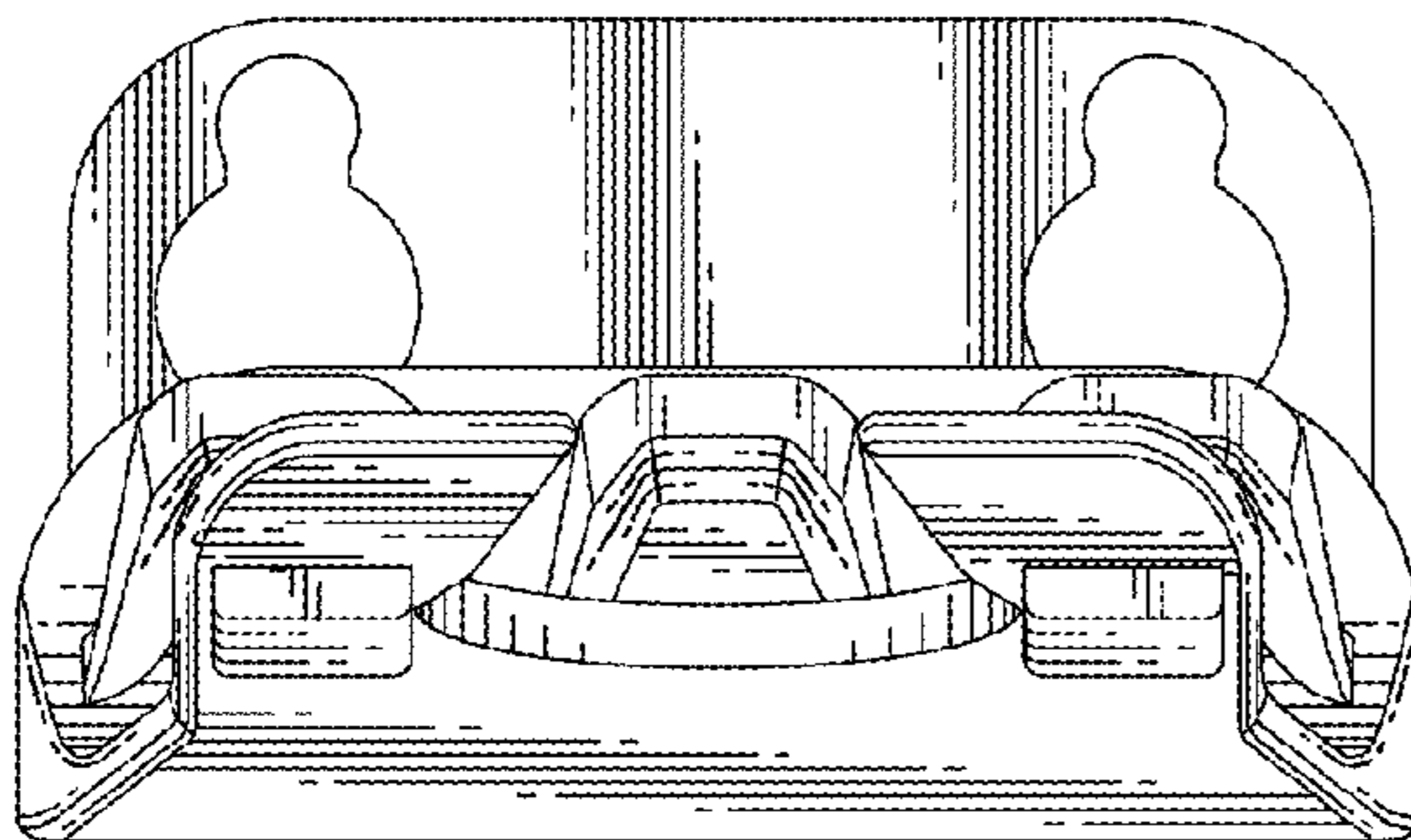
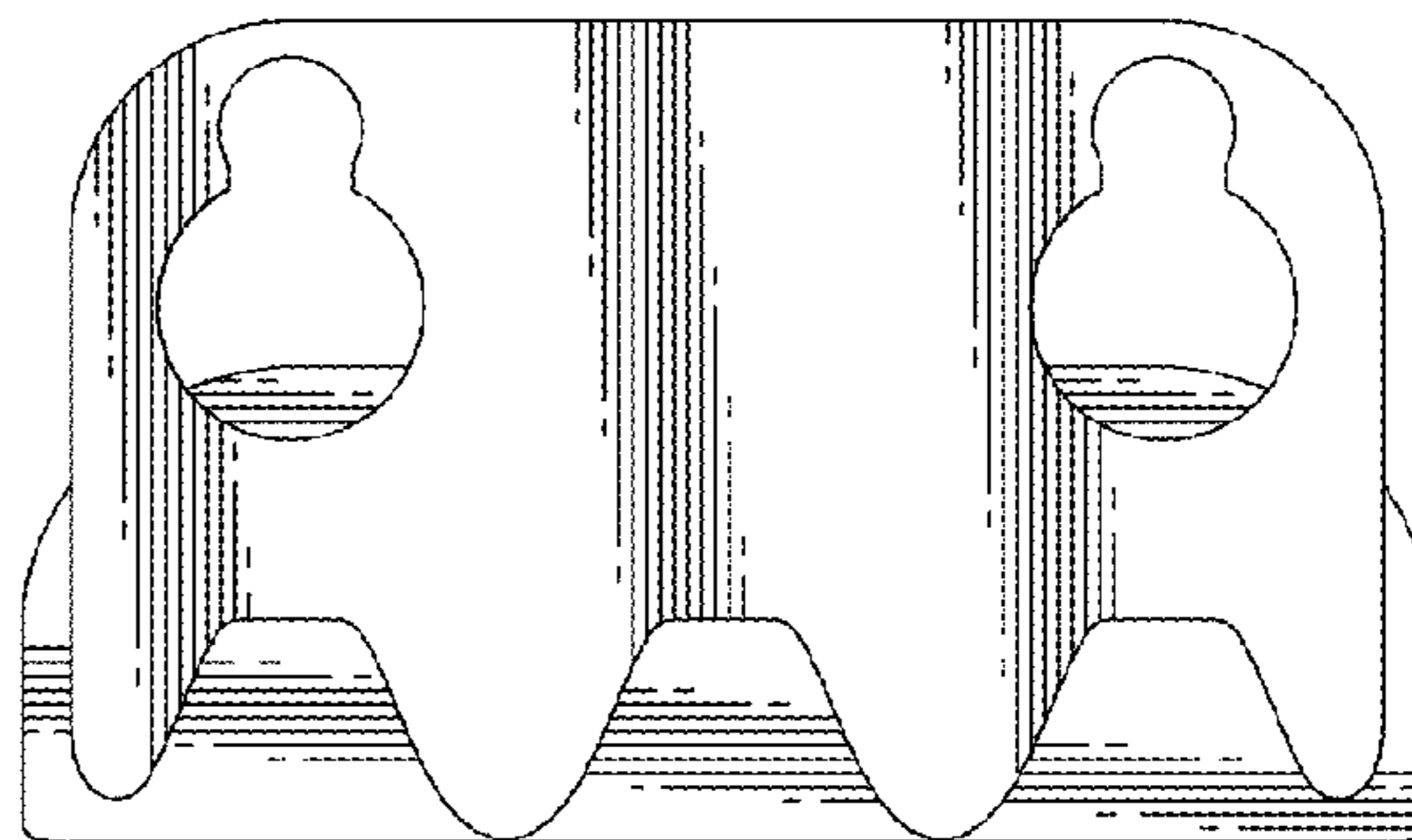


FIG. 3



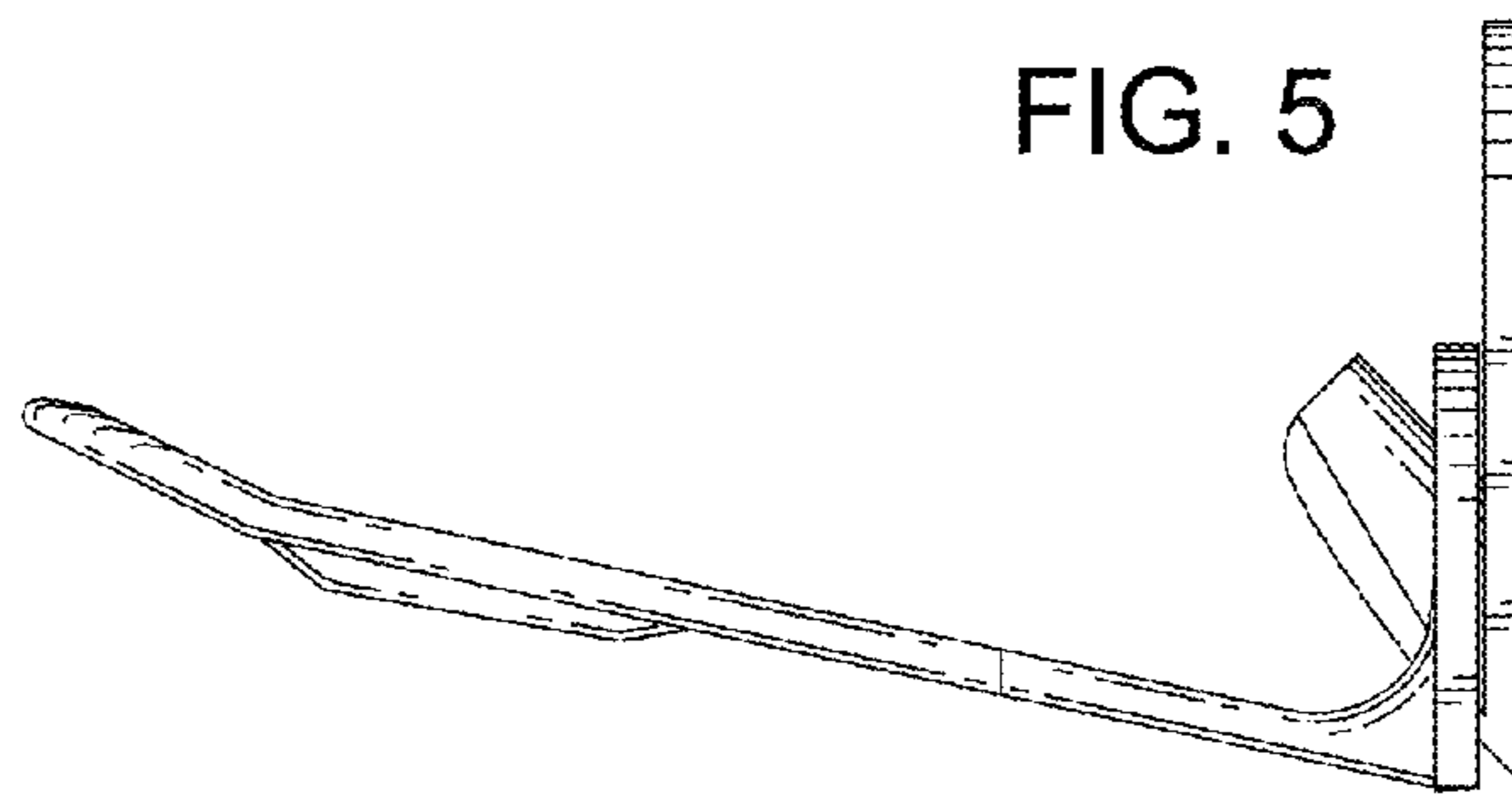
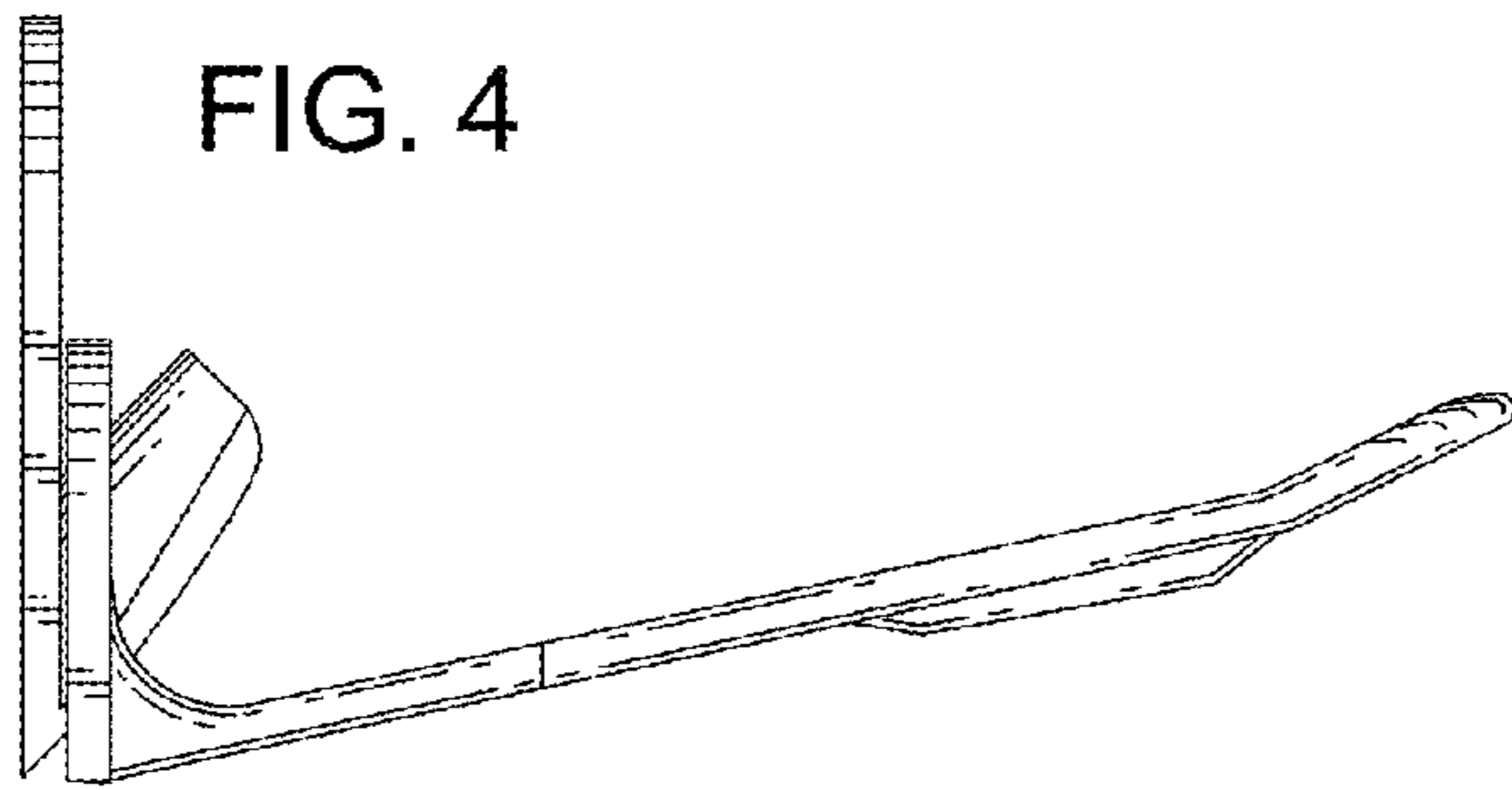


FIG. 6

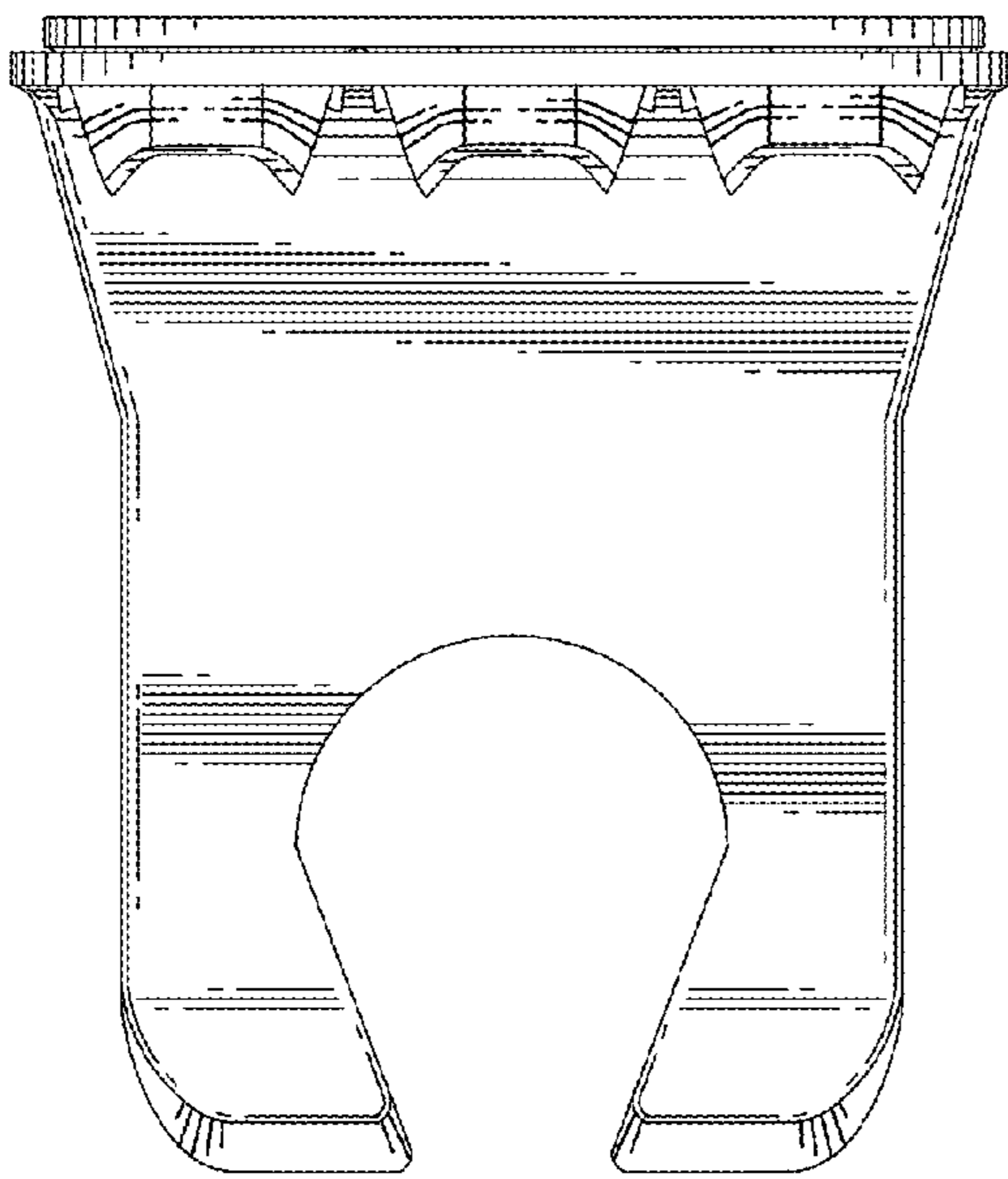


FIG. 7

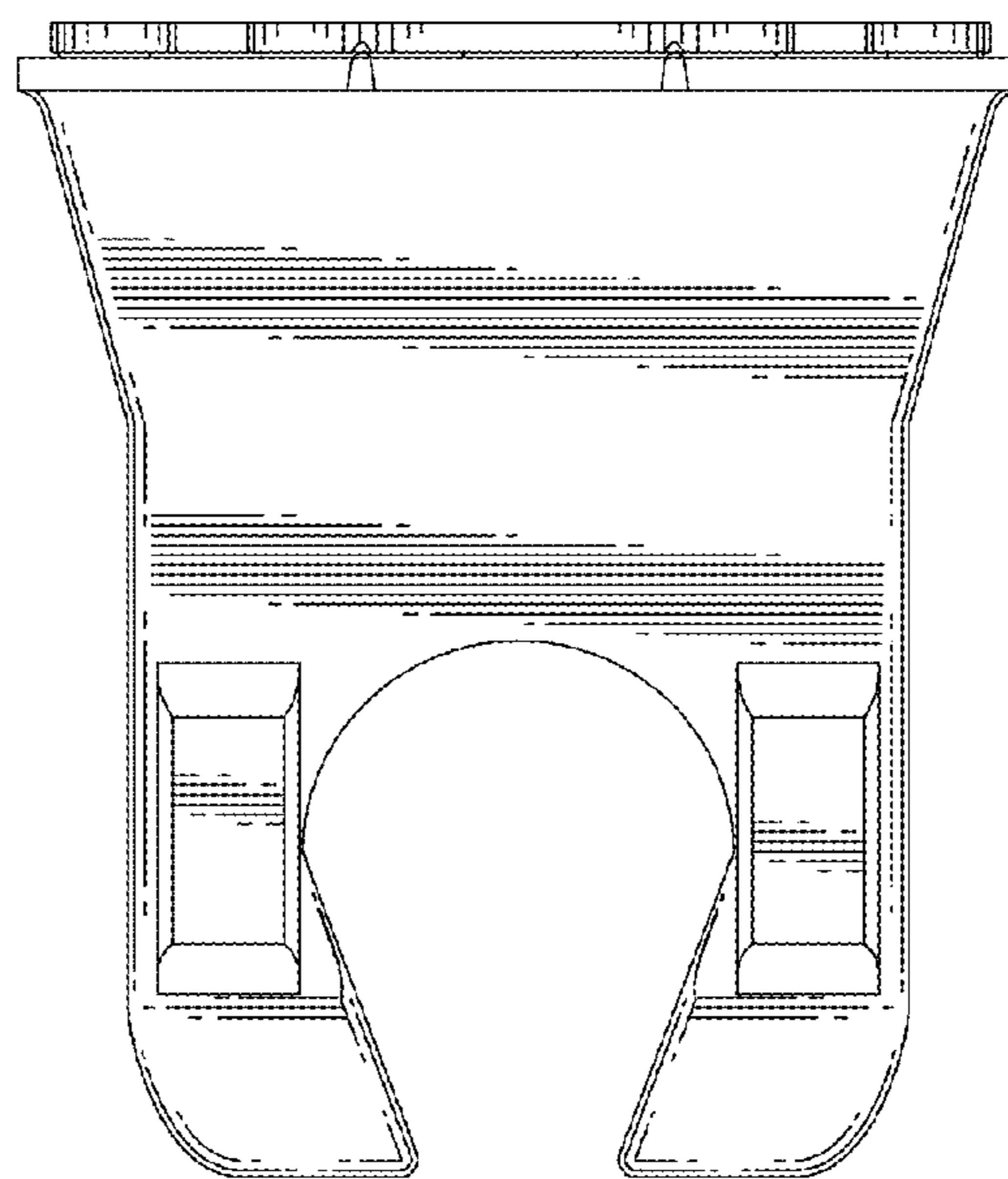


FIG. 8

