

US00D730123S

(12) **United States Design Patent**
He

(10) **Patent No.:** **US D730,123 S**

(45) **Date of Patent:** **** May 26, 2015**

(54) **BOTTLE**

220/592.16, 592.17, 592.2, 592.21,
220/592.22, 592.26–592.28

(71) Applicant: **Shanghai Hongchen Household Wares Co., Ltd.**, Shanghai (CN)

See application file for complete search history.

(72) Inventor: **Junliang He**, Shanghai (CN)

(56) **References Cited**

(73) Assignee: **SHANGHAI HONGCHEN HOUSEHOLD WARES CO., LTD.**, Shanghai (CN)

U.S. PATENT DOCUMENTS

D529,339 S * 10/2006 Carreno et al. D7/511
D587,533 S * 3/2009 Carreno D7/608
D686,040 S * 7/2013 Lane D7/608

(**) Term: **14 Years**

* cited by examiner

(21) Appl. No.: **29/478,822**

Primary Examiner — Susan Bennett Hattan

(22) Filed: **Jan. 8, 2014**

Assistant Examiner — Leanne Was

(30) **Foreign Application Priority Data**

(74) *Attorney, Agent, or Firm* — Global IP Services; Tianhua Gu

Aug. 6, 2013 (CN) 2013 3 0374062

(51) **LOC (10) Cl.** **07-01**

(57) **CLAIM**

The ornamental design for a bottle, as shown and described.

(52) **U.S. Cl.**

USPC **D7/511**

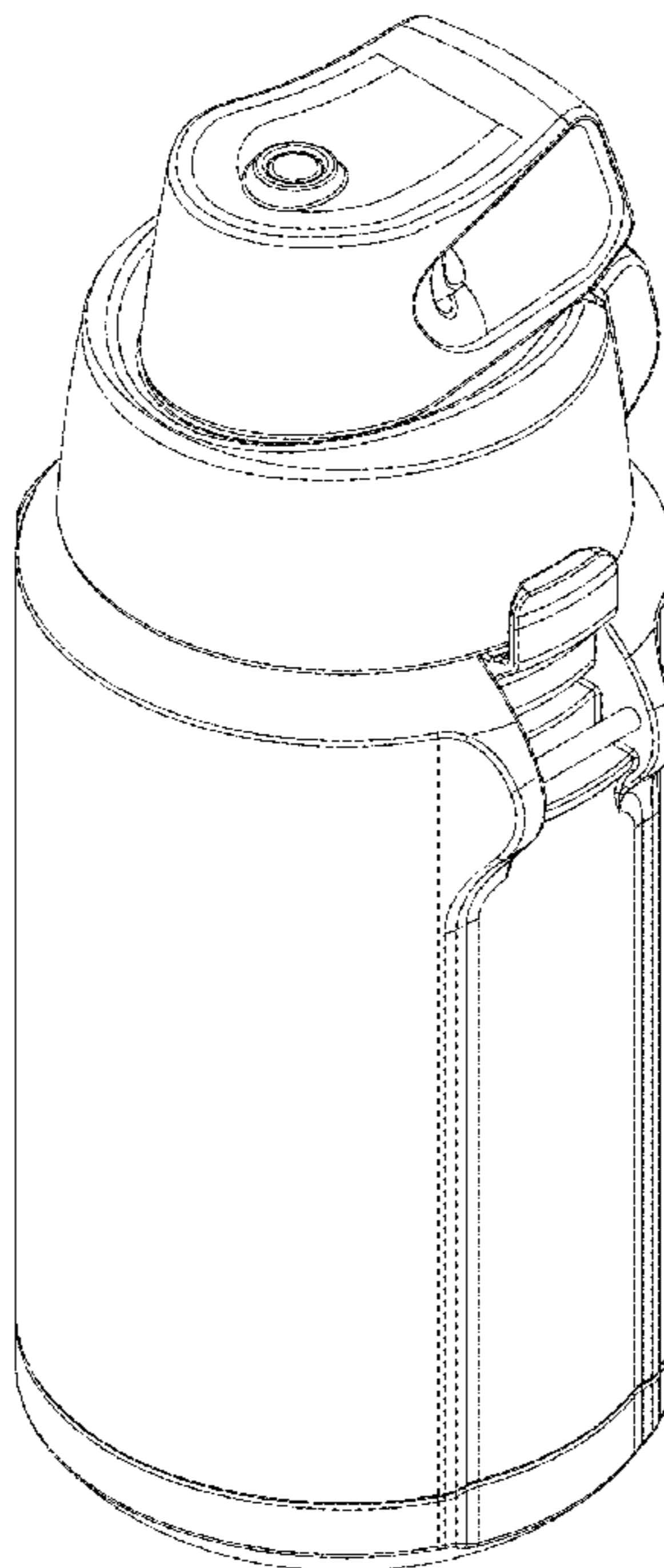
DESCRIPTION

(58) **Field of Classification Search**

USPC D7/300, 300.1, 302–305, 310, 312, 314,
D7/317, 318, 320–323, 329, 330, 354,
D7/396.1, 402, 500, 505, 507, 509, 510,
D7/511, 513, 533, 535, 536, 538, 541, 543,
D7/549, 555, 557, 558, 560, 600, 601, 602,
D7/605, 608, 612, 619.1, 622, 629, 633,
D7/701, 705; D9/420, 434, 435, 440, 443,
D9/446, 447, 449, 453, 500, 503, 504, 516,
D9/519, 527–531, 537, 556, 719, 737, 738,
D9/742, 751, 753; 62/371, 457.1–457.9;
206/216, 217, 541, 543–545; 215/13.1,
215/382–384, 386, 387, 396, 398;

FIG. 1 is a front elevation view of a bottle showing my new design;
FIG. 2 is a rear elevation view thereof;
FIG. 3 is a left side elevation view thereof;
FIG. 4 is a right side elevation view thereof;
FIG. 5 is a top plan view thereof;
FIG. 6 is a bottom plan view thereof; and,
FIG. 7 is a right perspective view thereof.
The broken lines depict portions of the bottle that form no part of the claimed design.

1 Claim, 4 Drawing Sheets



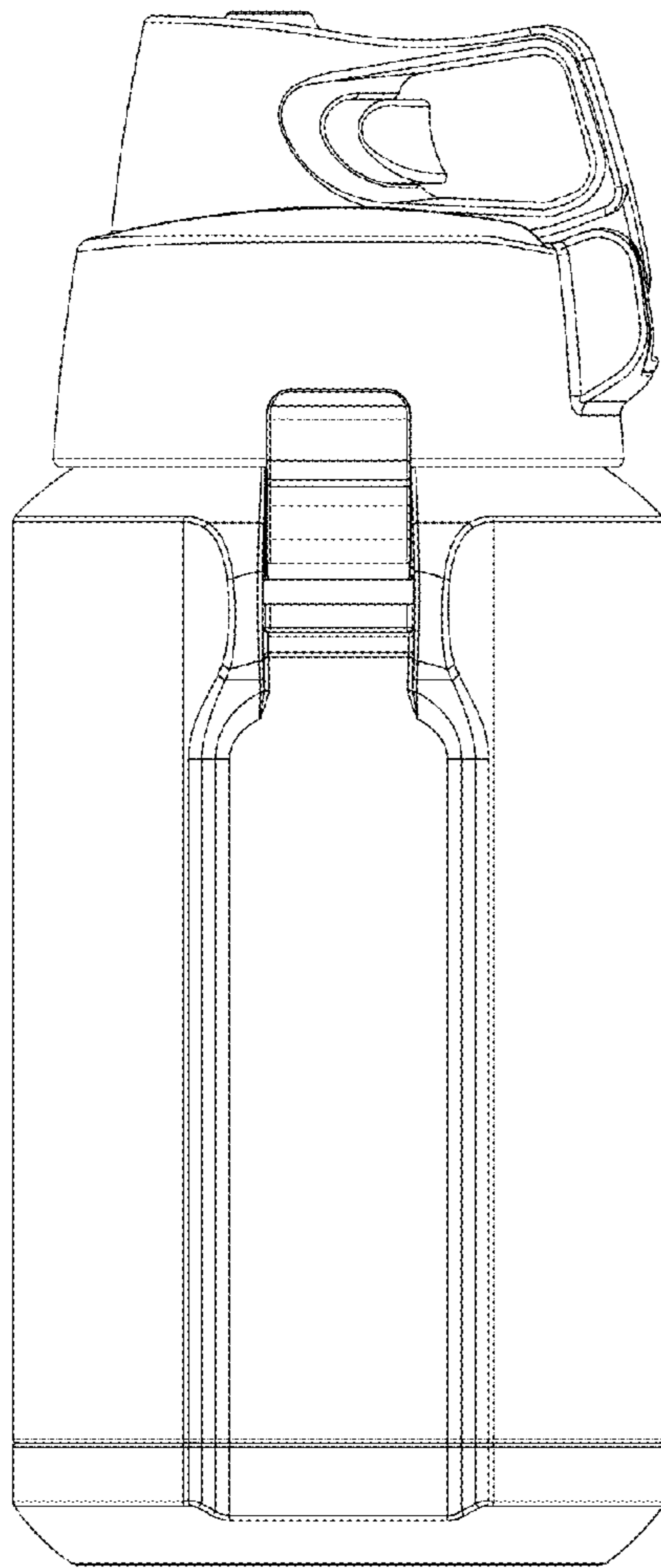


Fig. 1

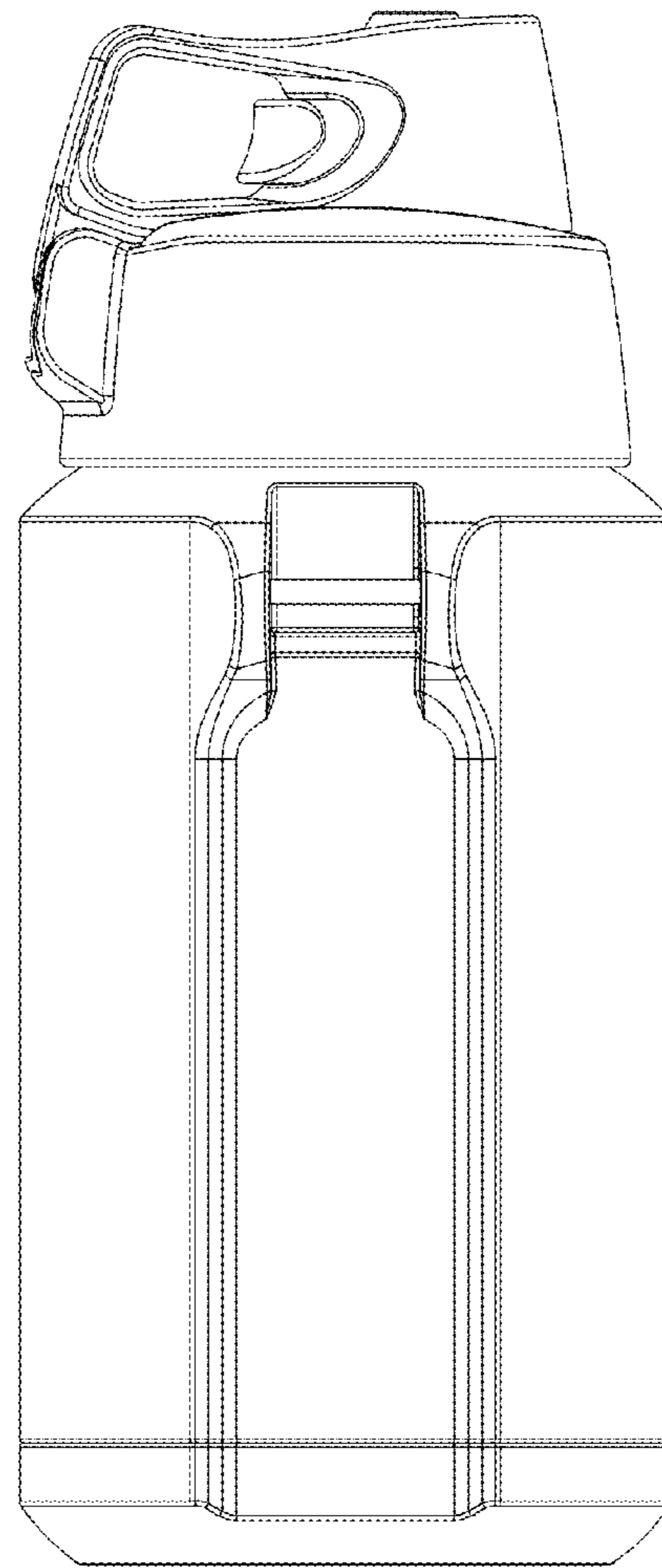


Fig. 2

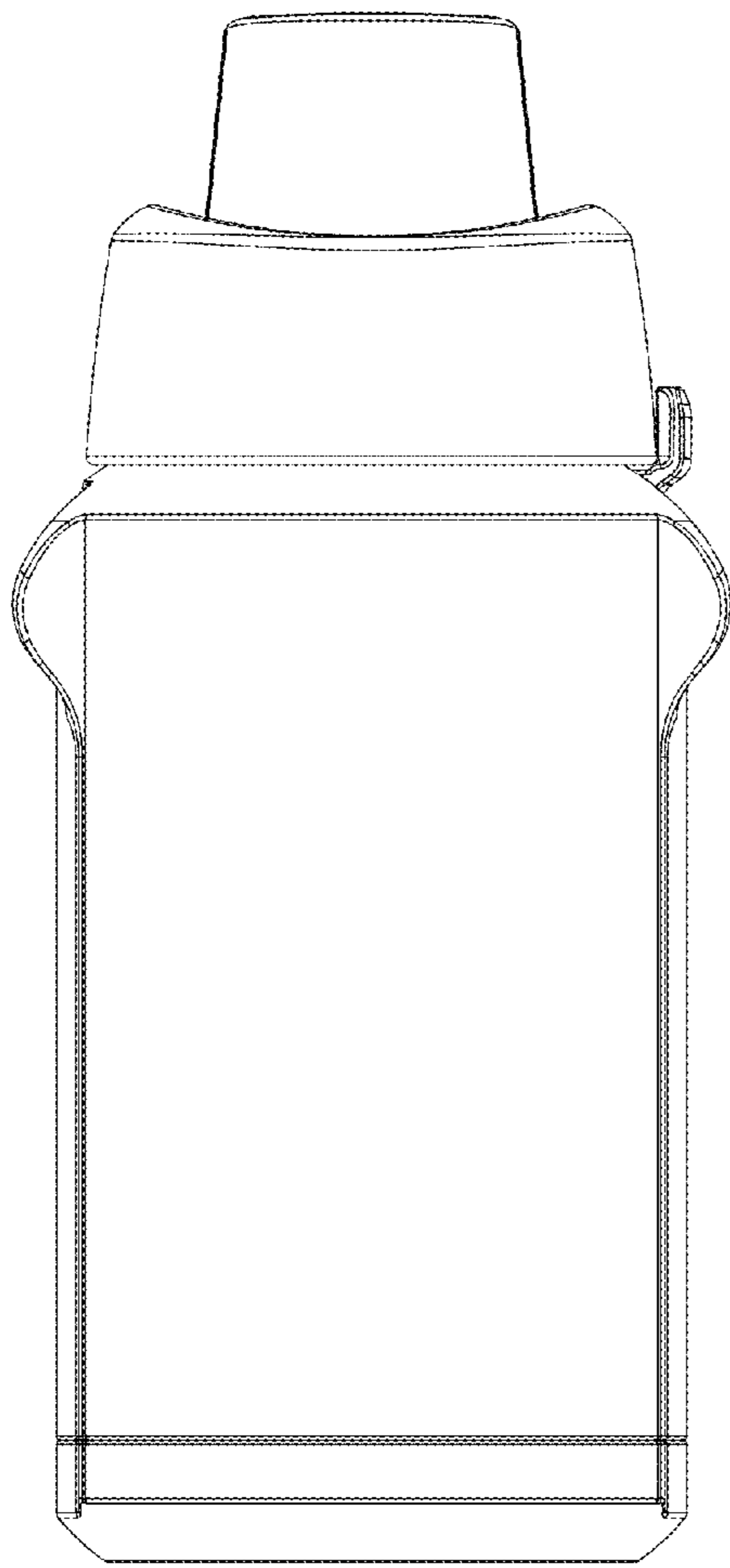


Fig. 3

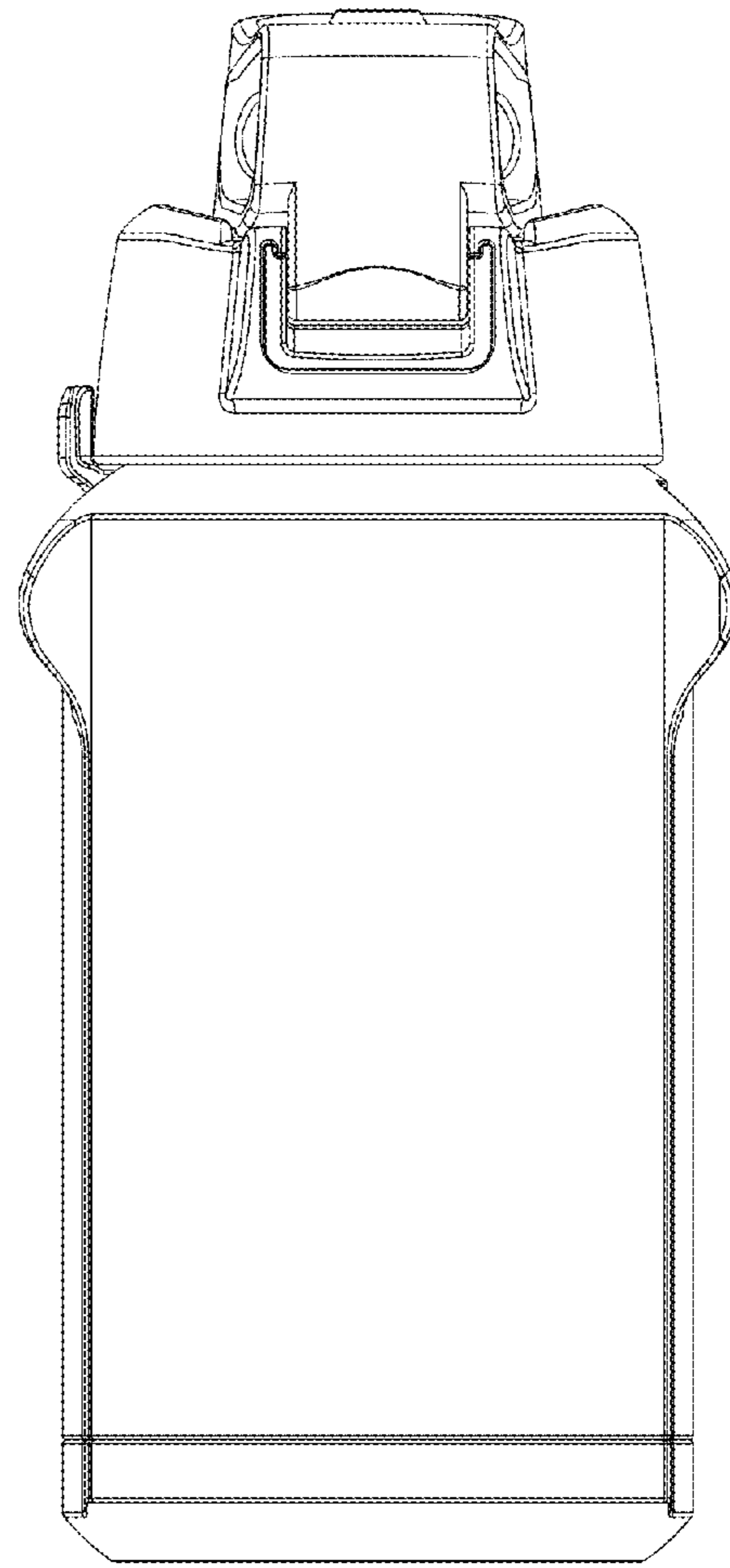


Fig. 4

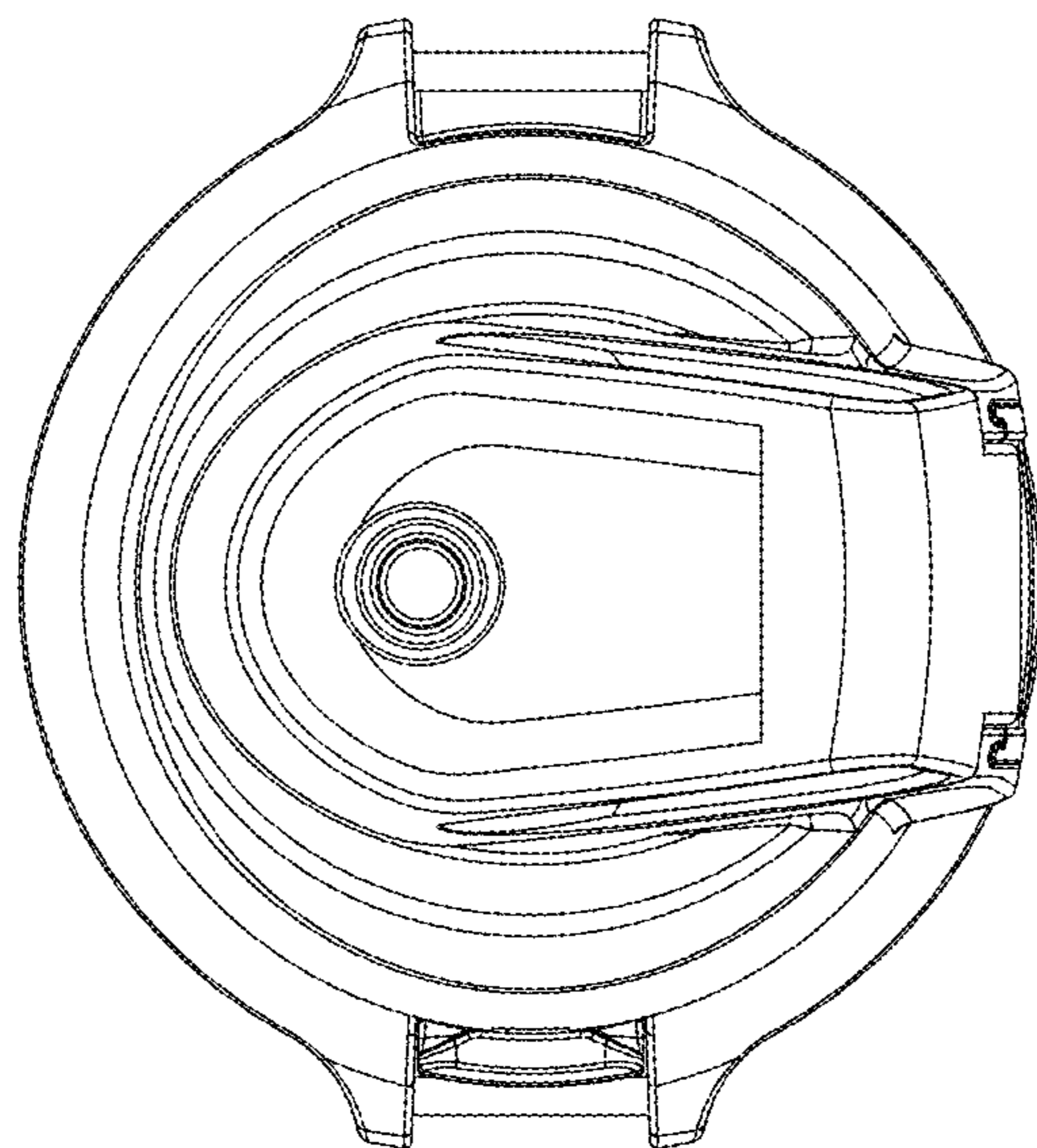


Fig. 5

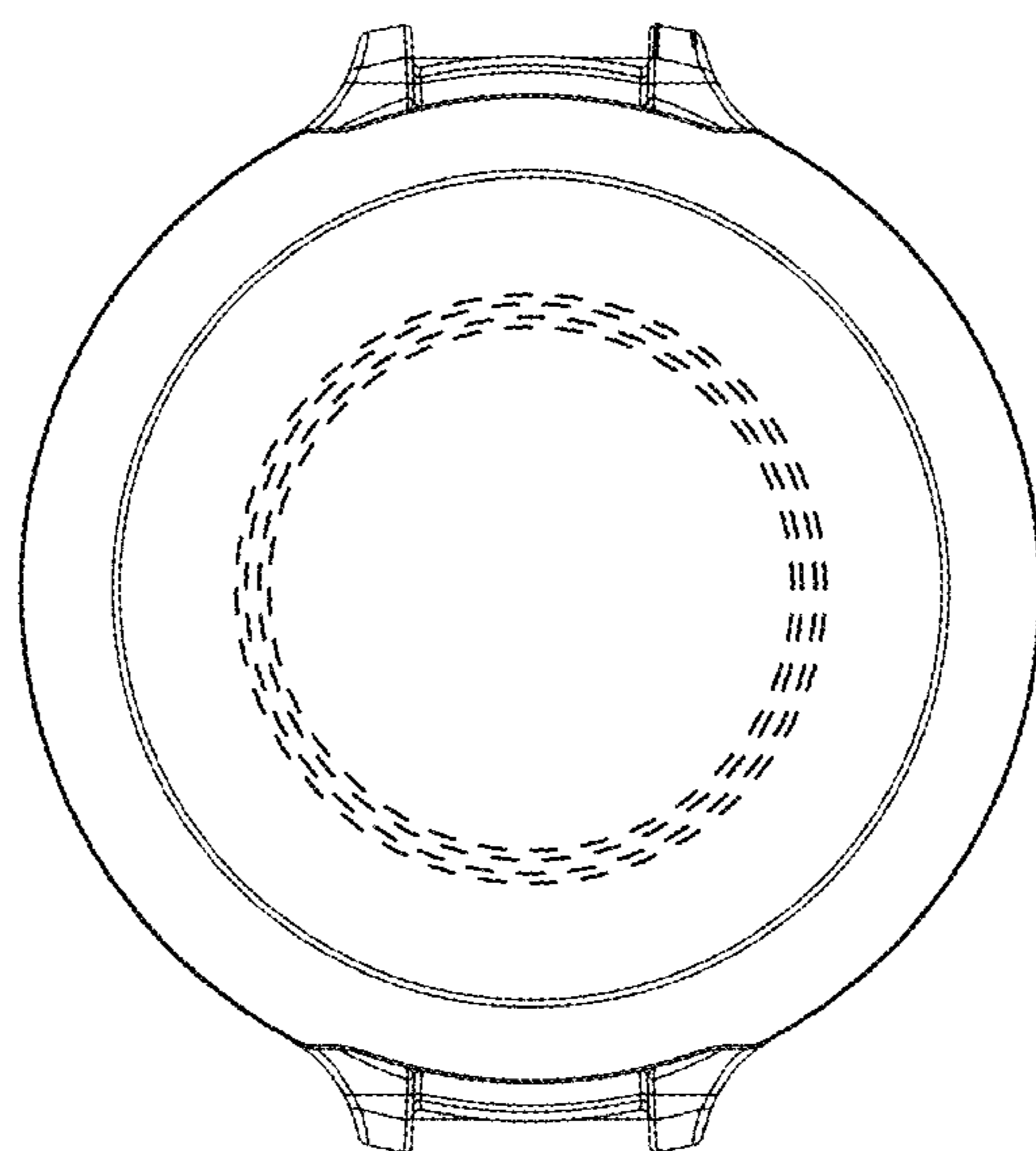


Fig. 6

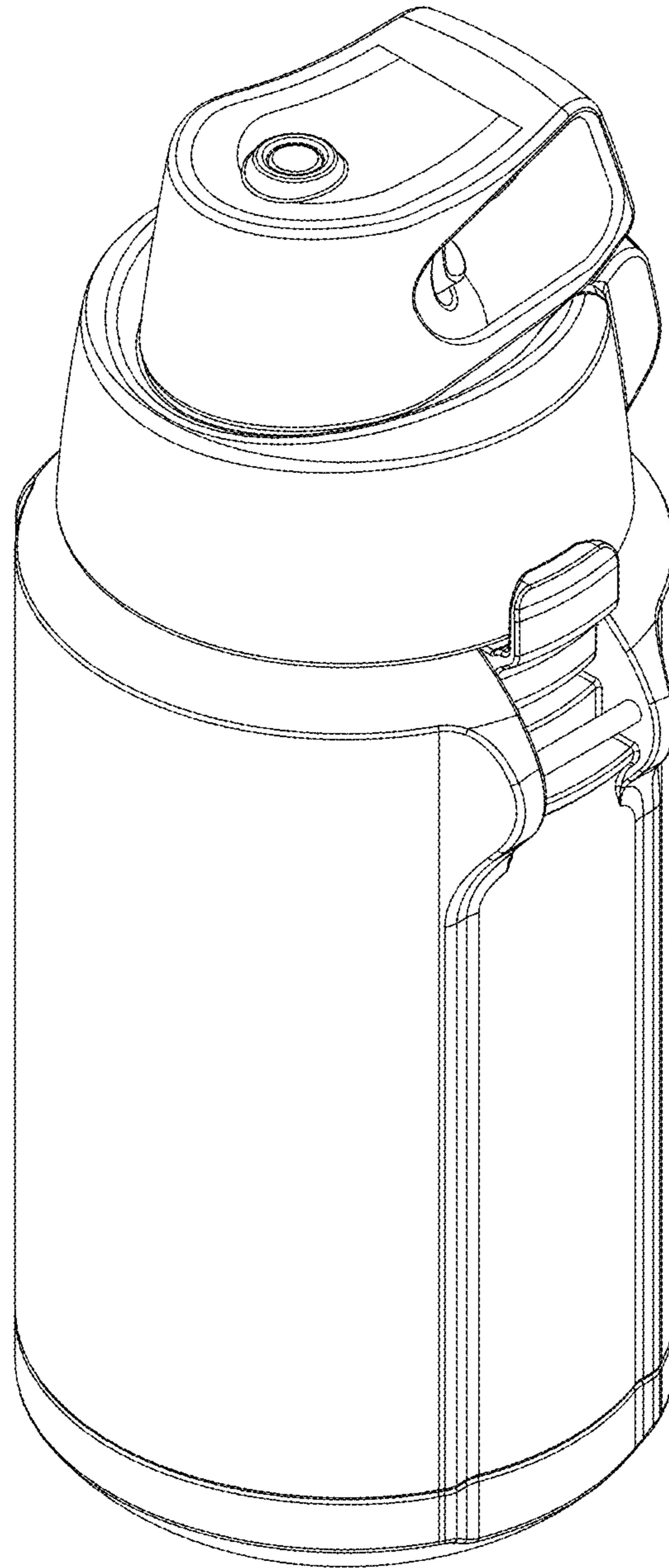


Fig. 7