

US00D730117S

(12) **United States Design Patent**
Hiltenbrand

(10) **Patent No.:** **US D730,117 S**

(45) **Date of Patent:** **** May 26, 2015**

(54) **HANDLE FOR A KITCHEN KNIFE**

(71) Applicant: **Kuhn Rikon AG**, Rikon im Tosstal (CH)

(72) Inventor: **Valeria Hiltenbrand**, Winterthur (CH)

(73) Assignee: **Kuhn Rikon AG**, Rikon im Tösstal (CH)

(**) Term: **14 Years**

(21) Appl. No.: **29/487,219**

(22) Filed: **Apr. 7, 2014**

(30) **Foreign Application Priority Data**

Feb. 7, 2014 (CH) 791798601

(51) **LOC (10) Cl.** **07-03**

(52) **U.S. Cl.**

USPC **D7/401.2; D7/649**

(58) **Field of Classification Search**

CPC . A47G 21/06; A47G 21/065; A61B 17/3211;
A61B 17/3213; B21D 53/64; B26B 1/00;
B26B 1/08; B26B 1/10; B26B 3/00; B26B
3/02; B26B 3/03; B26B 3/04; B26B 3/06;
B26B 5/00; B26B 5/001; B26B 5/007; B26B
7/00; B26B 7/005; B26B 9/00; B26B 9/02;
B26B 11/00; B26B 11/006; B26B 17/00;
B26B 17/006

USPC D7/393–395, 401.2, 642–652, 693,
D7/695–696; D8/80, 93, 97–100, 107,
D8/300, 321; D22/117–118; 30/136, 142,
30/147–149, 329, 340–345

See application file for complete search history.

(56) **References Cited**

U.S. PATENT DOCUMENTS

D531,875 S *	11/2006	Chen	D8/80
D595,544 S *	7/2009	Thun	D7/649
D661,545 S *	6/2012	Chen	D7/401.2
D661,554 S *	6/2012	Thomkins	D7/649
D688,913 S *	9/2013	Lo	D7/401.2
D697,377 S *	1/2014	Wandrup	D7/649
D698,615 S *	2/2014	Wandrup	D7/649
D704,009 S *	5/2014	Wandrup	D7/642
D708,476 S *	7/2014	Wandrup	D7/401.2
D708,488 S *	7/2014	Wandrup	D7/650

* cited by examiner

Primary Examiner — Ricky Pham

(74) *Attorney, Agent, or Firm* — Sughrue Mion, PLLC

(57) **CLAIM**

The ornamental design for a handle for a kitchen knife, as shown and described.

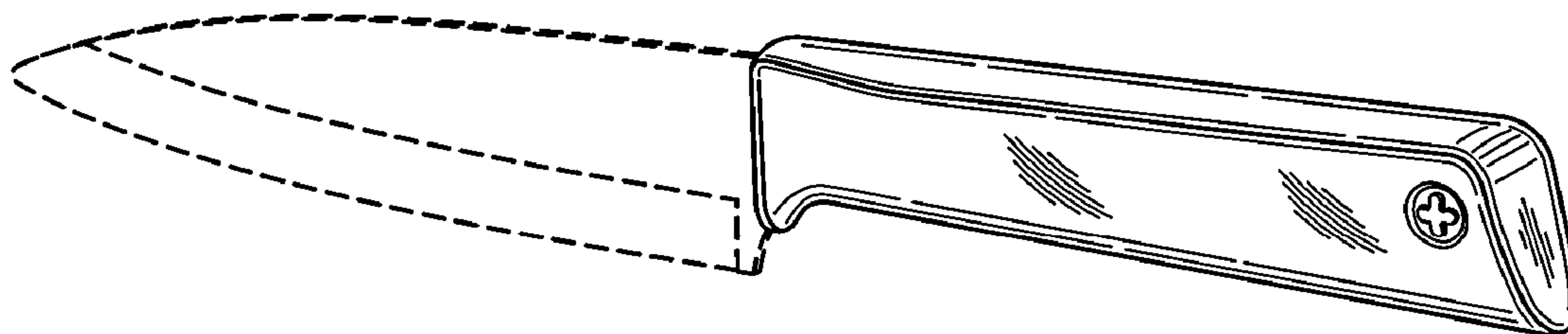
DESCRIPTION

FIG. 1 is a perspective view of a first embodiment of the handle for a kitchen knife that comprises my invention; FIG. 2 is a right side view thereof; FIG. 3 is a left side view thereof; FIG. 4 is a top view thereof; FIG. 5 is a bottom view thereof; FIG. 6 is a front view thereof, and FIG. 7 is a rear view thereof.

FIG. 8 is a perspective view of a second embodiment of the handle for a kitchen knife that comprises my invention; FIG. 9 is a right side view thereof; FIG. 10 is a left side view thereof; FIG. 11 is a top view thereof; FIG. 12 is a bottom view thereof; FIG. 13 is a front view thereof, and FIG. 14 is a rear view thereof.

The broken lines depict environmental subject matter only and form no part of the claimed design.

1 Claim, 14 Drawing Sheets



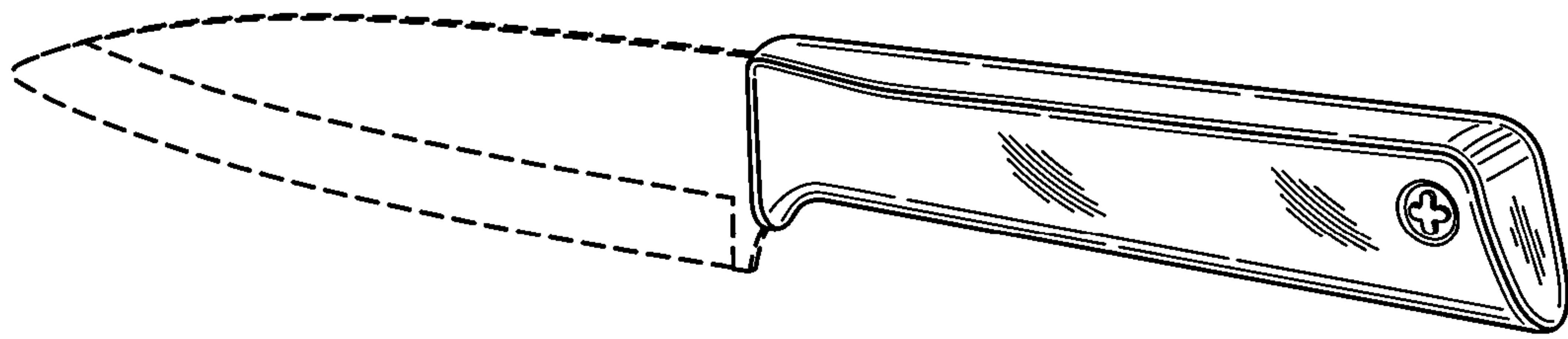


FIG. 1

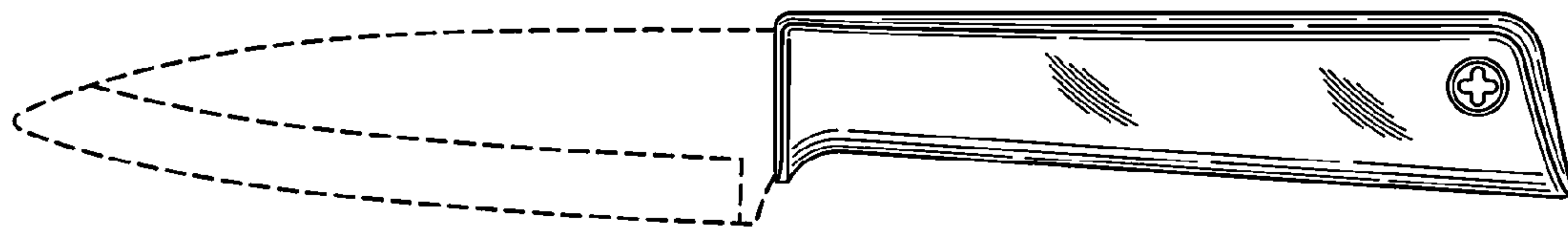


FIG. 2

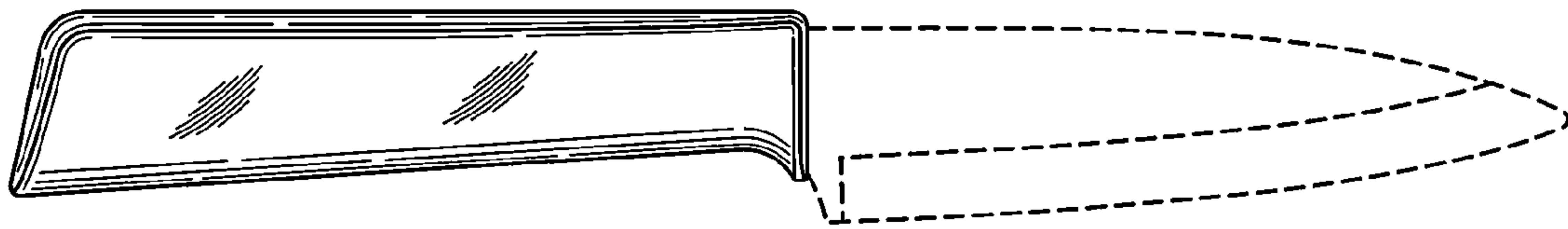


FIG. 3

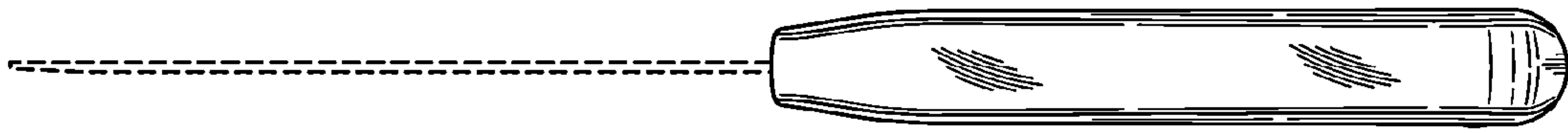


FIG. 4

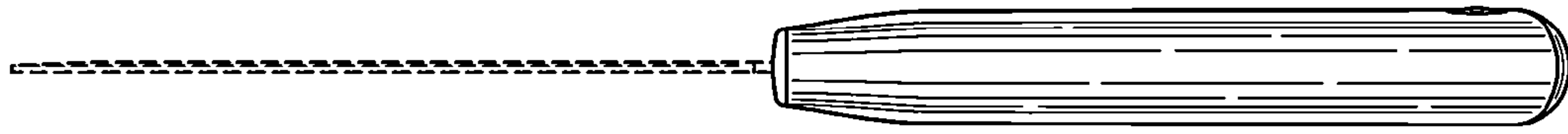


FIG. 5

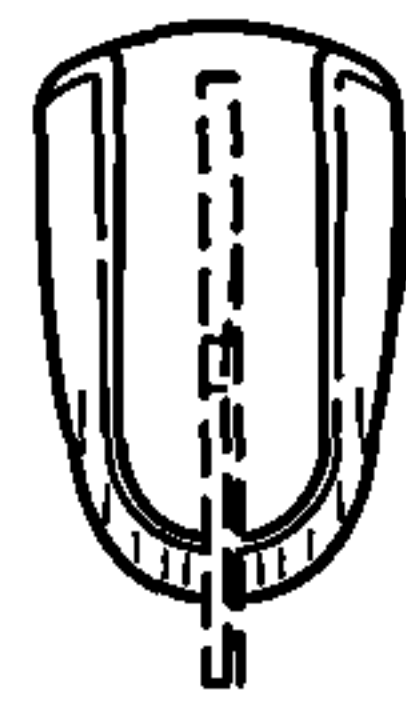


FIG. 6



FIG. 7

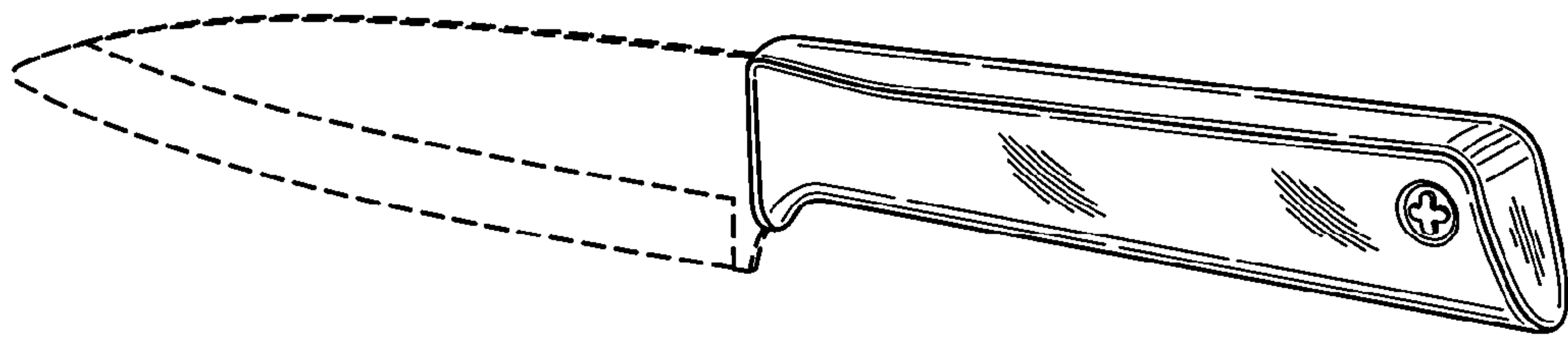


FIG. 8

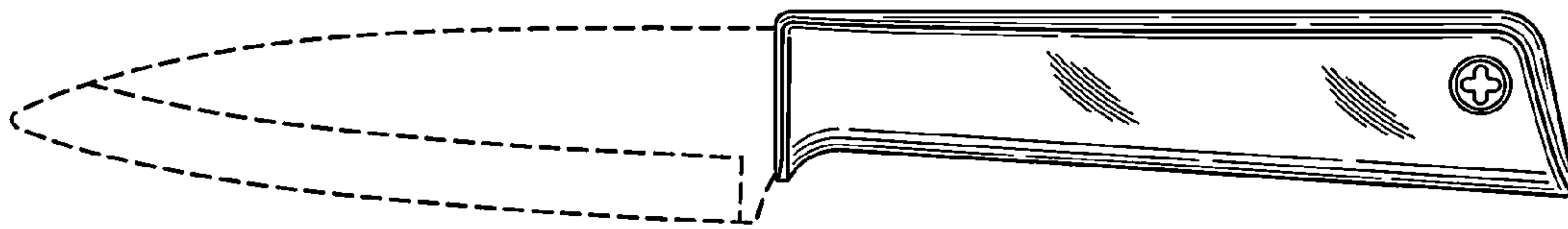


FIG. 9

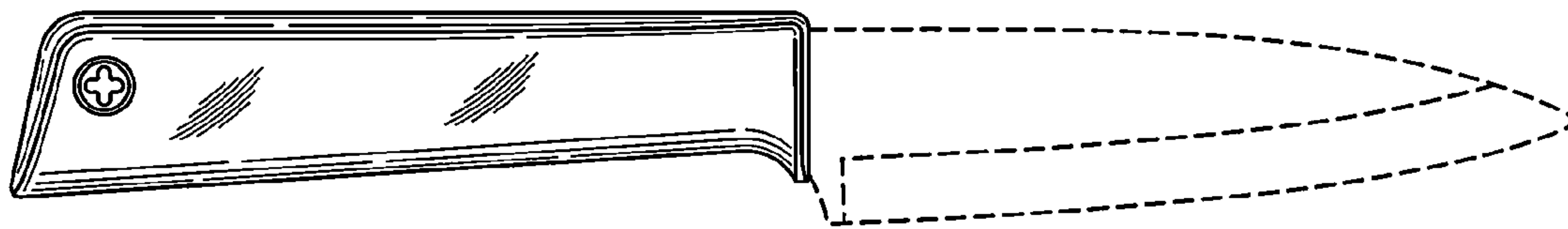


FIG. 10

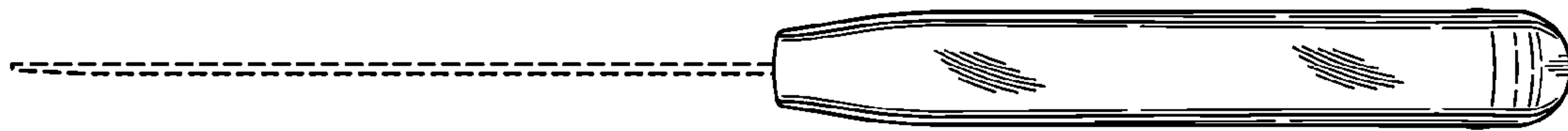


FIG. 11

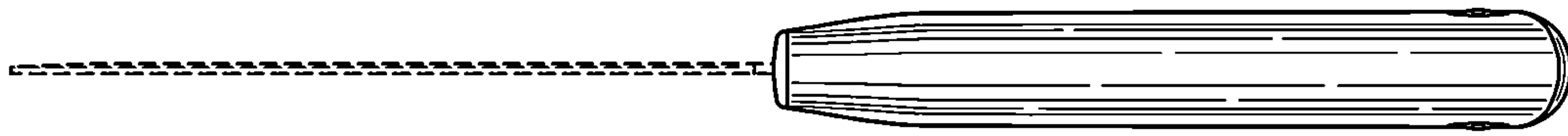


FIG. 12

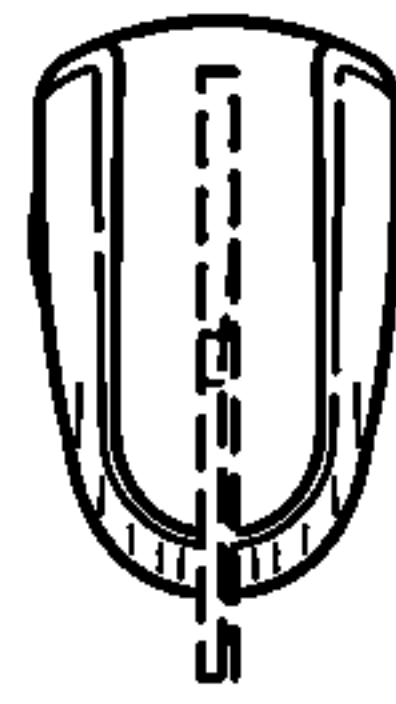


FIG. 13



FIG. 14