



US00D730109S

(12) **United States Design Patent**
Louloudakis et al.

(10) **Patent No.:** **US D730,109 S**
(45) **Date of Patent:** **** May 26, 2015**

(54) **GRILL**

(56) **References Cited**

(71) Applicant: **THERMOCERAMIX INC.,**
Boucherville (CA)

U.S. PATENT DOCUMENTS

(72) Inventors: **Joanis Louloudakis**, Montreal (CA);
Athinodoros Chris Kazanas, Laval
(CA); **Kyle Goyette**, Montreal (CA);
Tang Do, Montreal (CA); **Thomas**
Rouayroux, Montreal (CA)

3,173,357	A	*	3/1965	Nunnery	99/331
D274,111	S	*	6/1984	Naito et al.	D7/337
D277,541	S	*	2/1985	Espinda	D7/337
D290,923	S	*	7/1987	Erickson	D7/337
D414,074	S	*	9/1999	Jalayer	D7/402
6,024,014	A	*	2/2000	Kasai	99/425
6,314,868	B1	*	11/2001	Christensen et al.	99/340
D457,393	S	*	5/2002	Lewis	D7/402
D568,095	S	*	5/2008	De' Longhi	D7/362
D593,791	S	*	6/2009	Joensson	D7/367
D644,059	S	*	8/2011	Bodum	D7/363
D685,601	S	*	7/2013	Morabito	D7/337
D711,186	S	*	8/2014	De'Longhi et al.	D7/363

(73) Assignee: **THERMOCERAMIX INC.,**
Boucherville (CA)

* cited by examiner

(**) Term: **14 Years**

Primary Examiner — Ricky Pham

(21) Appl. No.: **29/490,468**

(74) *Attorney, Agent, or Firm* — BCF LLP

(22) Filed: **May 9, 2014**

(57) **CLAIM**

The ornamental design for a grill, as shown and described.

(51) **LOC (10) Cl.** **07-02**

DESCRIPTION

(52) **U.S. Cl.**

USPC **D7/367**; D7/362; D7/363

FIG. 1 is a perspective view of the front right-side of a grill according to our design;

(58) **Field of Classification Search**

CPC A21B 5/023; A47J 27/60; A47J 27/62;
A47J 37/04; A47J 37/06; A47J 37/067;
A47J 37/0605; A47J 37/0611; A47J 37/0623;
A47J 37/0629; A47J 37/0676; A47J 37/0709;
A47J 37/0713; A47J 2037/06; A47J
2037/0611; F24C 15/10; F24C 15/102;
H05B 6/02; H05B 6/062

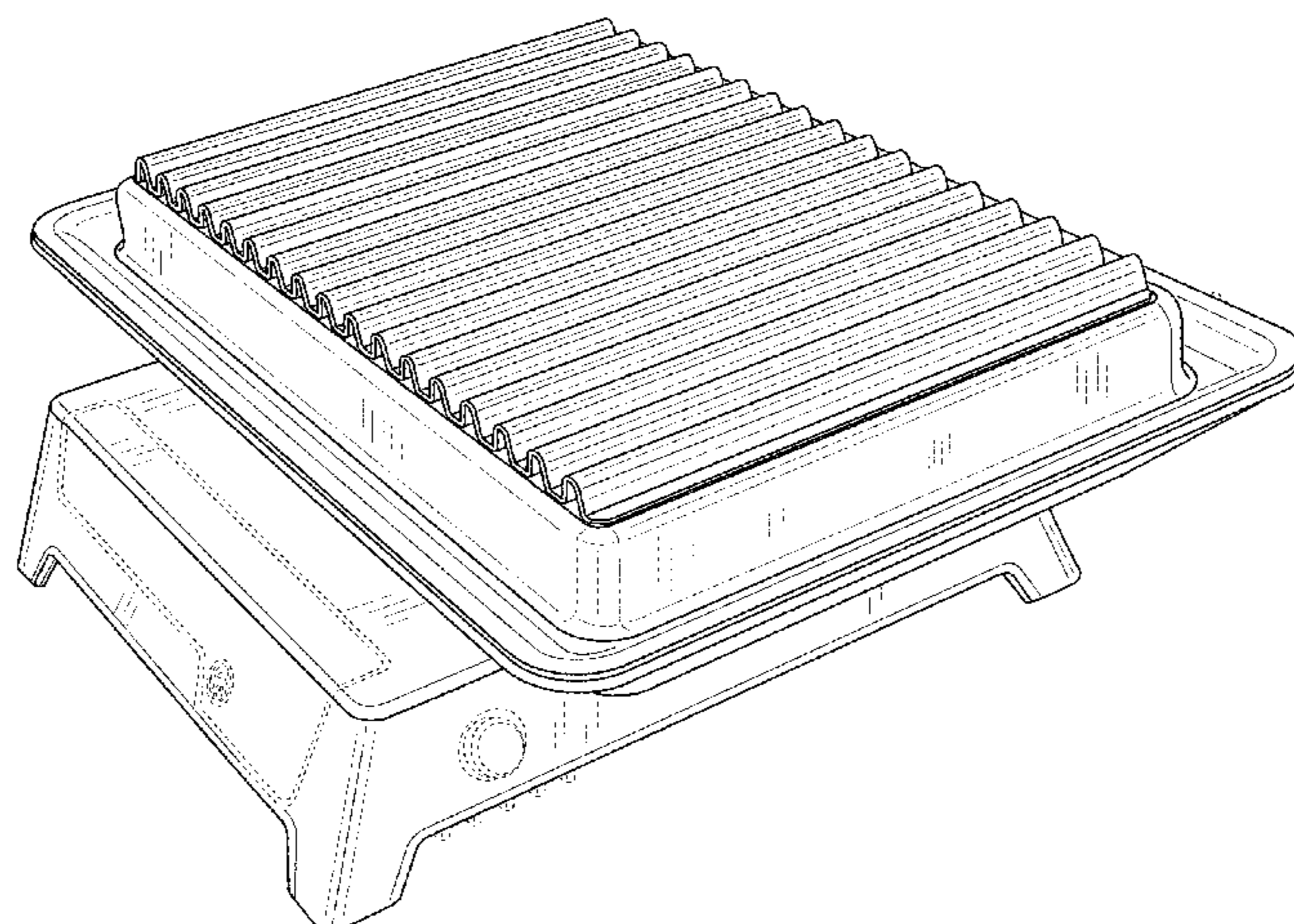
FIG. 2 is an elevation view of the front thereof;
FIG. 3 is an elevation view of the rear thereof;
FIG. 4 is an elevation view of the right side thereof;
FIG. 5 is an elevation view of the left side thereof;
FIG. 6 is a plan view of the top thereof; and,
FIG. 7 is a plan view of the bottom thereof.

USPC D7/323, 328–330, 337, 347, 352–364,
D7/367, 402, 409–411; 99/324–326, 331,
99/339–340, 349, 356–357, 372–379, 425,
99/444–446; 219/386, 450.1, 472,
219/524–525, 620–622, 732–734

Throughout the Figures, if and where shown: (i) the broken lines showing additional structure of the grill and/or its environment are for illustrative purposes only and form no part of the claimed design; (ii) the dotted/dashed lines adjacent shaded surfaces represent unclaimed boundaries of the claimed design; and (iii) the unshaded surfaces do not form part of the claimed design. Portions of the grill not shown in the Figures and not otherwise described in this specification do not form part of the claimed design.

See application file for complete search history.

1 Claim, 5 Drawing Sheets



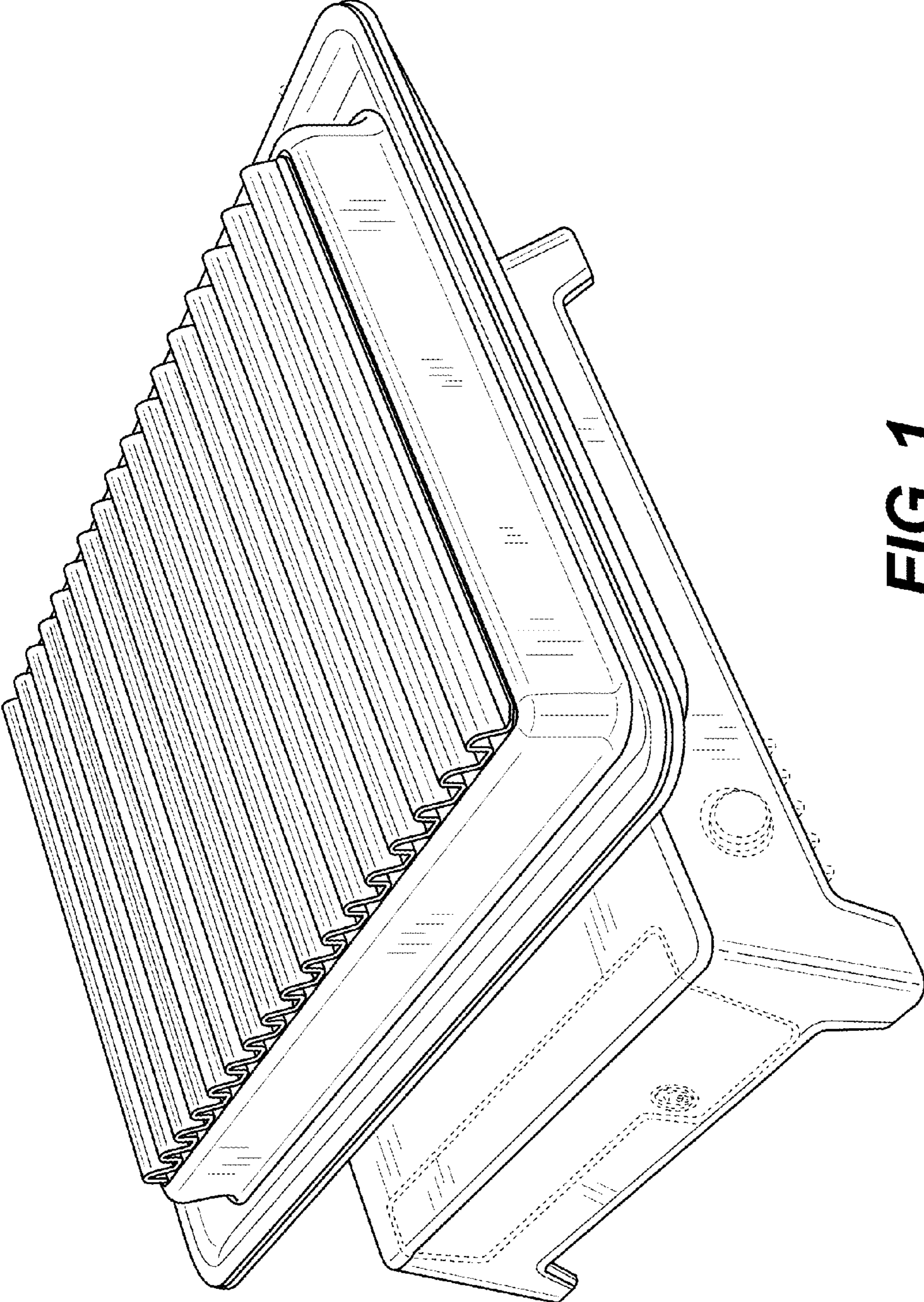


FIG. 1

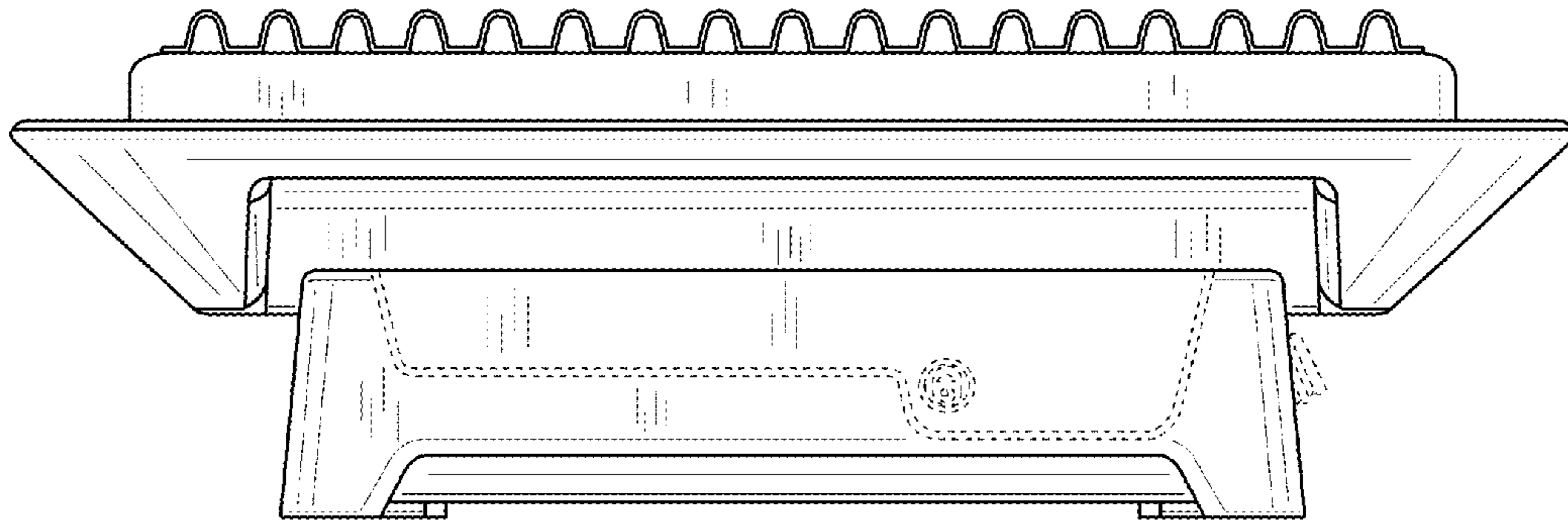


FIG. 2

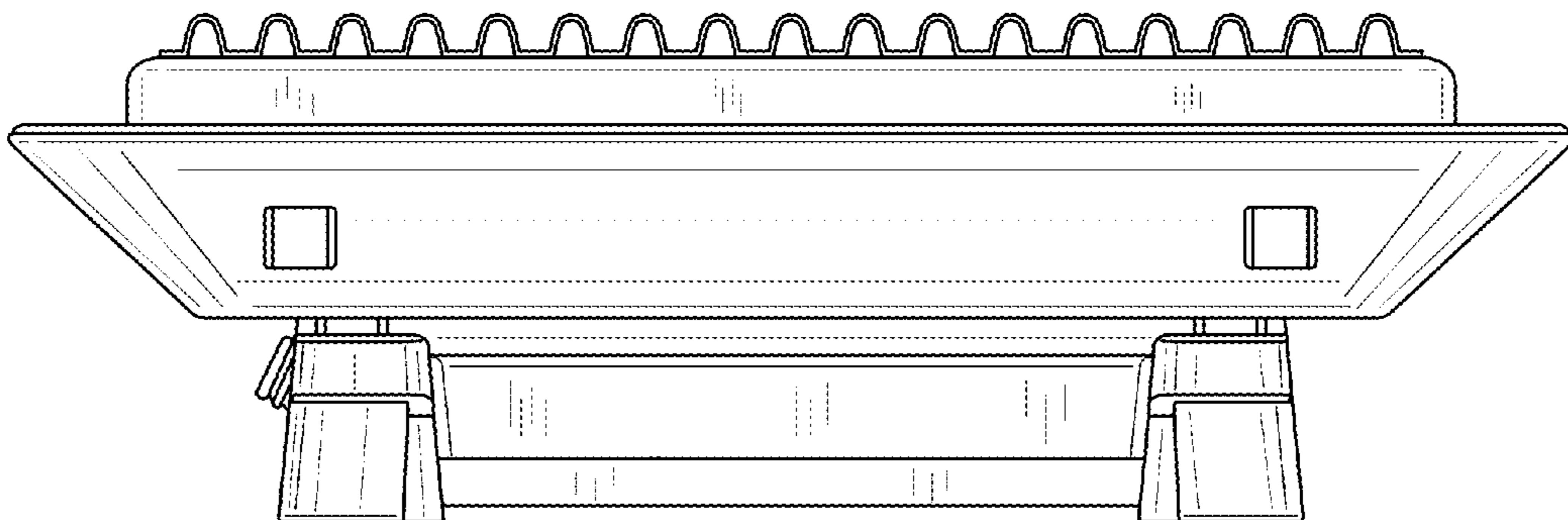


FIG. 3

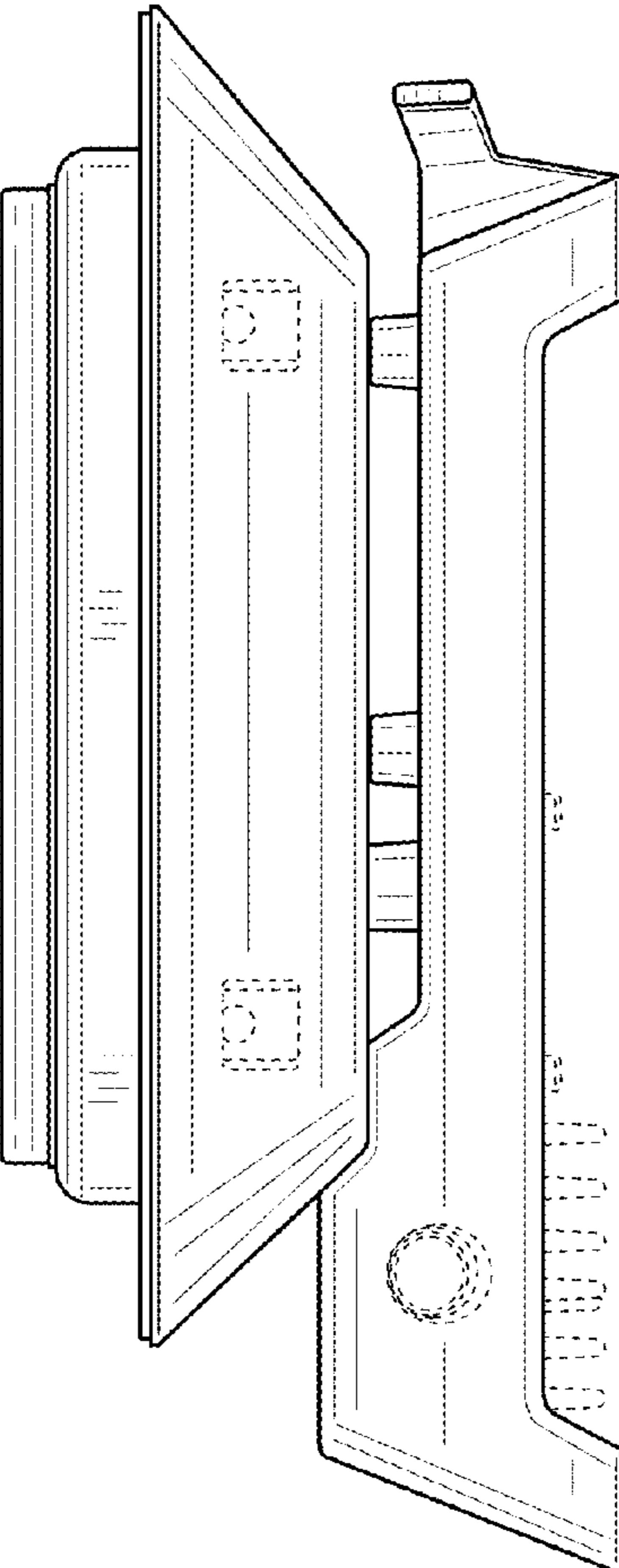


FIG. 4

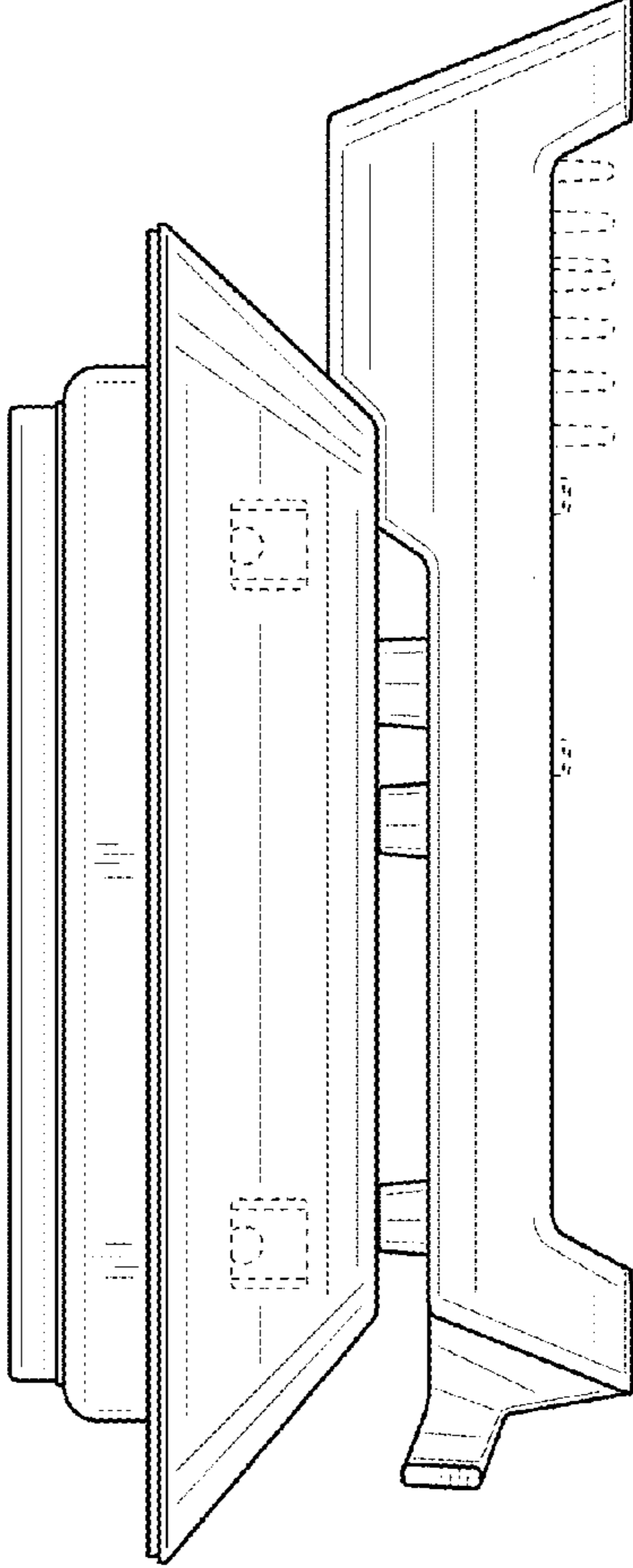


FIG. 5

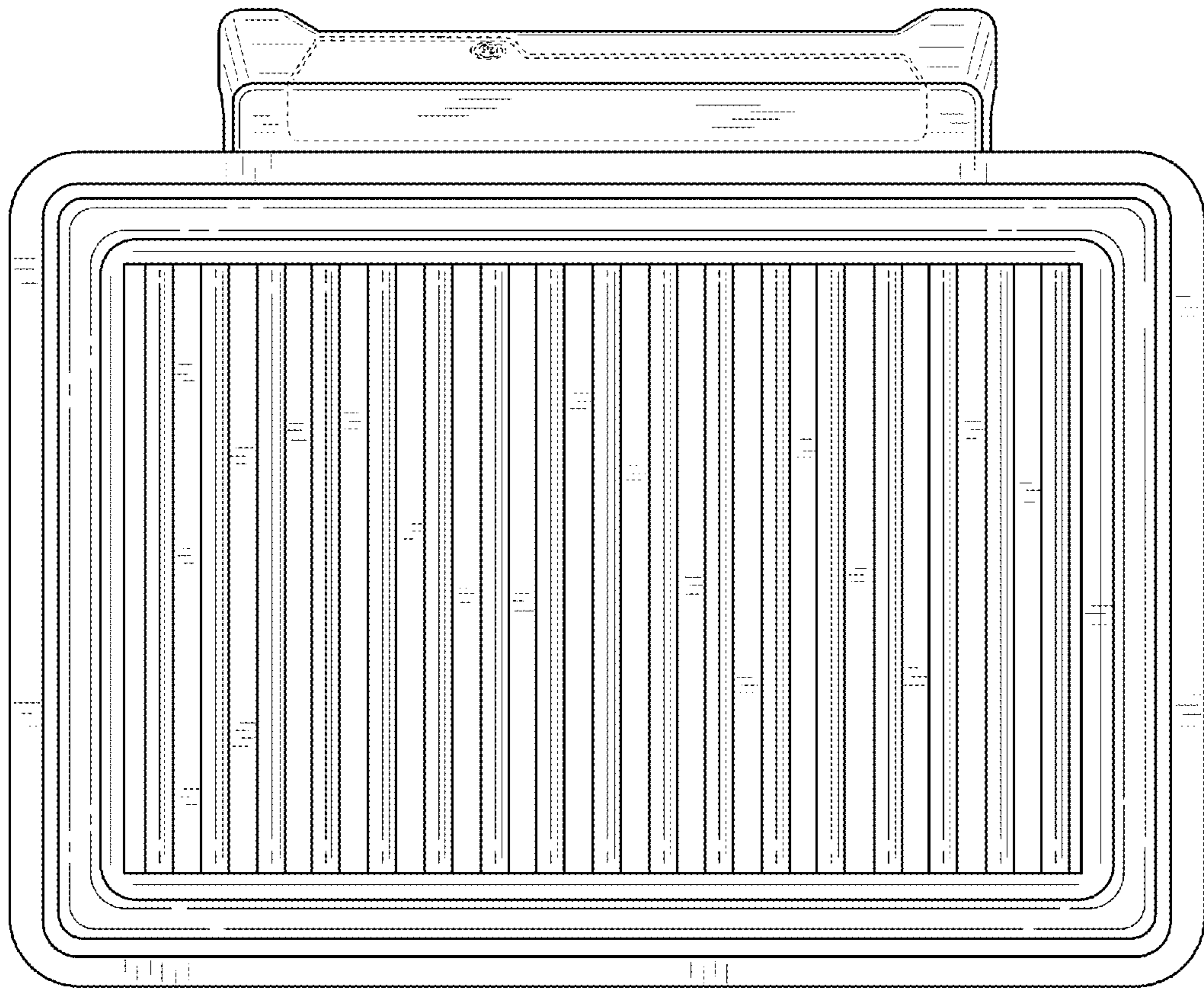


FIG. 6

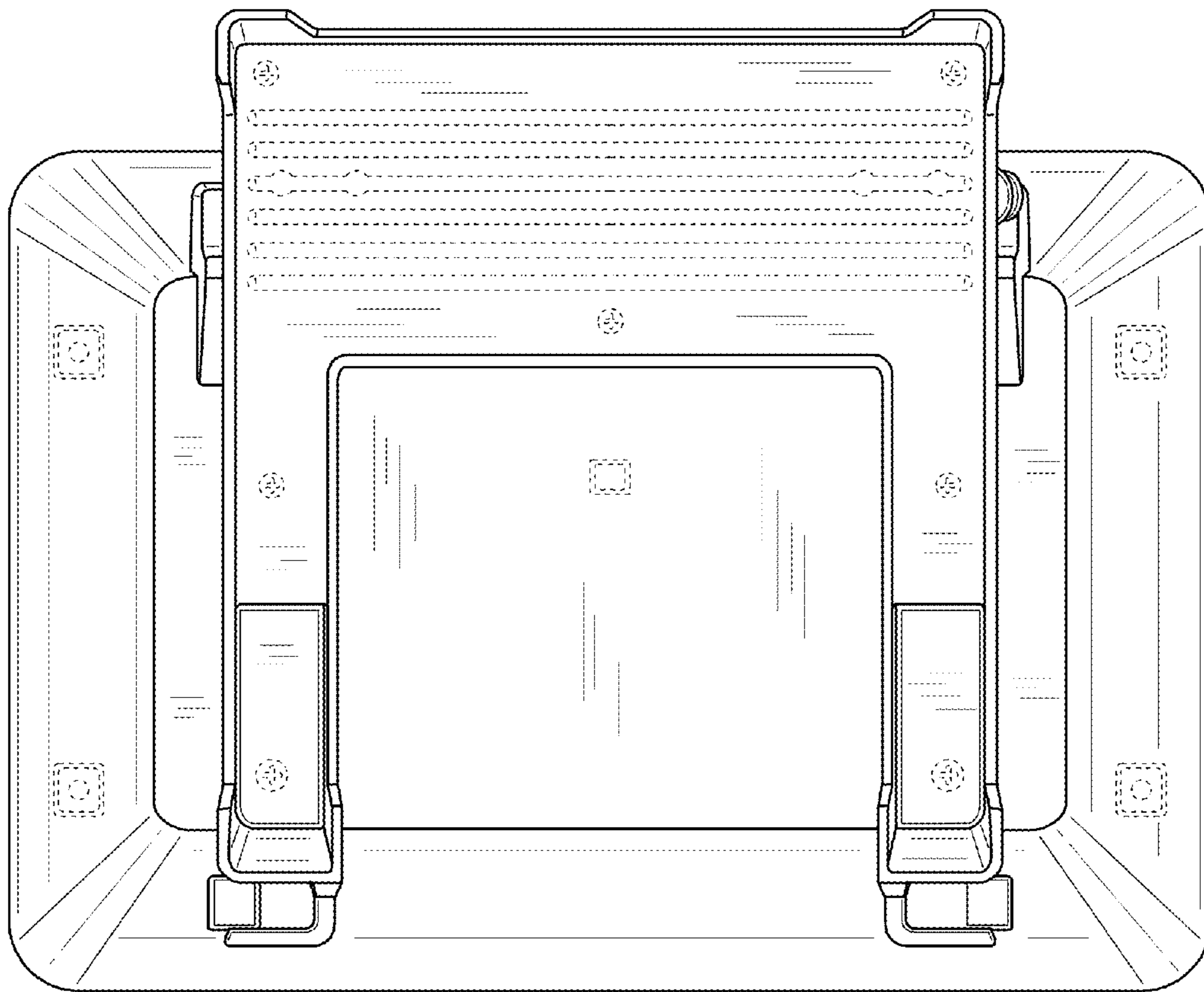


FIG. 7