



US00D730107S

(12) **United States Design Patent**  
**MacInnis et al.**

(10) **Patent No.:** **US D730,107 S**

(45) **Date of Patent:** **\*\* May 26, 2015**

(54) **COOKER**

(71) Applicant: **8479950 CANADA INC.**, Montreal  
(CA)

(72) Inventors: **Lisa MacInnis**, Candiac (CA); **Martin Gagnon**, Blainville (CA)

(73) Assignee: **8479950 CANADA INC.**, Montreal  
(CA)

(\*\*) Term: **14 Years**

(21) Appl. No.: **29/493,697**

(22) Filed: **Jun. 12, 2014**

(51) **LOC (10) Cl.** ..... **07-02**

(52) **U.S. Cl.**  
USPC ..... **D7/354**

(58) **Field of Classification Search**  
CPC ..... A47J 27/00; A47J 27/04; A47J 27/05;  
A47J 27/08; A47J 27/09; A47J 27/092;  
A47J 36/025; A47J 36/06; A47J 36/08;  
A47J 36/10; A47J 36/12; A47J 37/12; A47J  
37/1204; A47J 37/1209; H05B 6/02; H05B  
6/06; H05B 6/12  
USPC ..... D7/323, 354-361; 99/324-325,  
99/330-339, 403; 126/348, 384.1, 389.1,  
126/390.1; 219/401, 438, 440-441, 447.1,  
219/620-622; 220/573.1-573.5, 912  
See application file for complete search history.

(56) **References Cited**

**U.S. PATENT DOCUMENTS**

D420,246 S \* 2/2000 Alonge et al. .... D7/360  
D425,360 S \* 5/2000 Dobson et al. .... D7/360

D520,806 S \* 5/2006 Ryan ..... D7/354  
D537,670 S \* 3/2007 Genslak et al. .... D7/354  
D556,504 S \* 12/2007 Averty ..... D7/360  
D590,204 S \* 4/2009 Tetreault et al. .... D7/354  
D590,654 S \* 4/2009 Perkins et al. .... D7/354  
D642,856 S \* 8/2011 Bock et al. .... D7/357  
D644,476 S \* 9/2011 Gregory et al. .... D7/354  
D657,993 S \* 4/2012 Pantaleo ..... D7/357  
D667,680 S \* 9/2012 Bock ..... D7/354  
D682,009 S \* 5/2013 Day et al. .... D7/354  
D697,363 S \* 1/2014 Tu ..... D7/357

\* cited by examiner

*Primary Examiner* — Ricky Pham

(74) *Attorney, Agent, or Firm* — Norton Rose Fulbright  
Canada LLP

(57) **CLAIM**

We claim the ornamental design for a cooker, as shown and  
described.

**DESCRIPTION**

FIG. 1 is a perspective view taken from a top, front, right side  
of the cooker;

FIG. 2 is a front elevation view thereof;

FIG. 3 is a rear elevation view thereof;

FIG. 4 is a left side elevation view thereof;

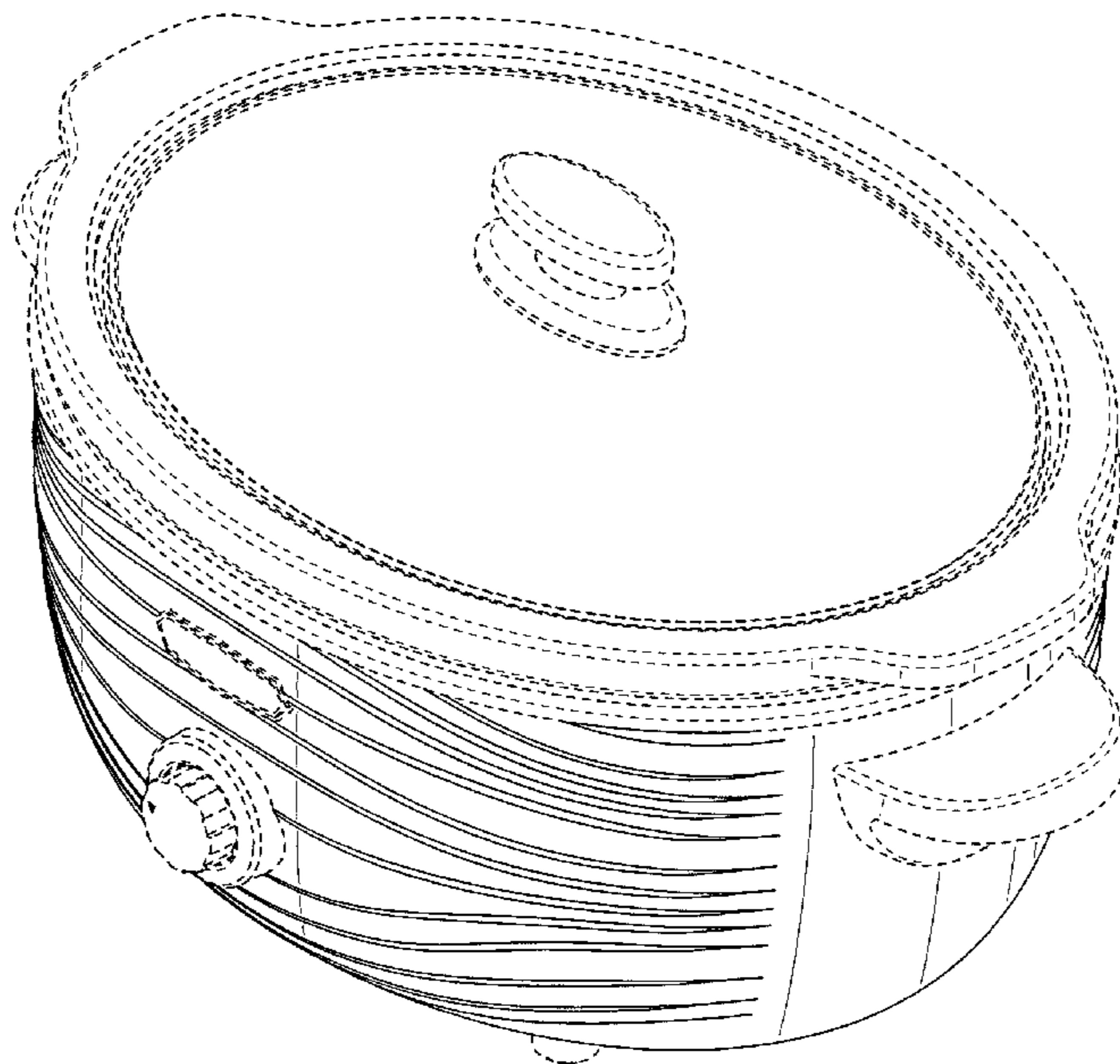
FIG. 5 is a right side elevation view thereof;

FIG. 6 is a top plan view thereof; and,

FIG. 7 is a bottom plan view thereof.

The design consists of the visual features of the portions of the  
cooker shown in solid lines in the drawings, whether those  
features are features of one of shape, configuration, ornament  
or pattern or a combination of any of these features. The  
portions shown in dotted lines are for illustrative purposes  
only and form no part of the claimed design.

**1 Claim, 7 Drawing Sheets**



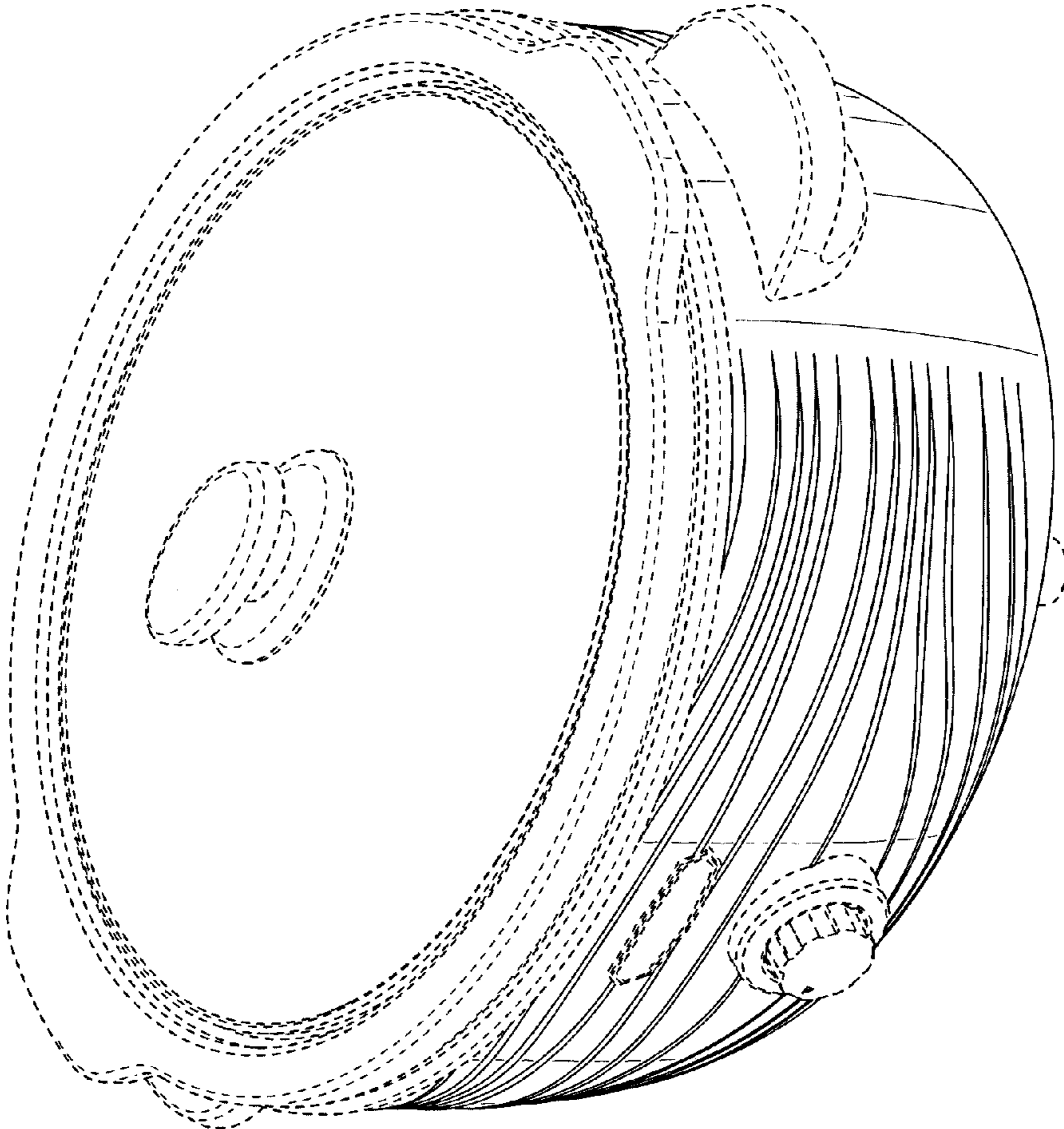


FIG. 1

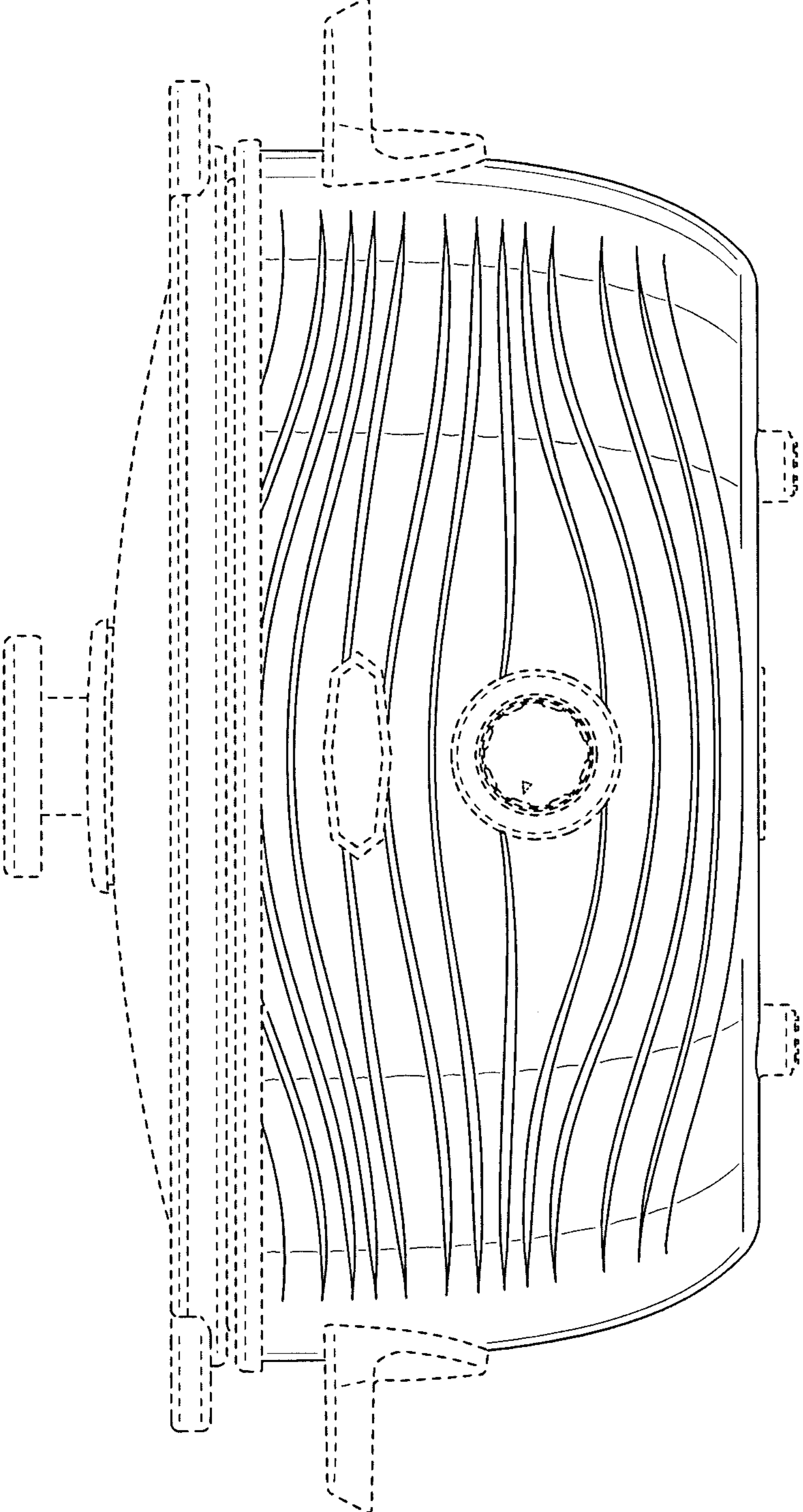


FIG. 2

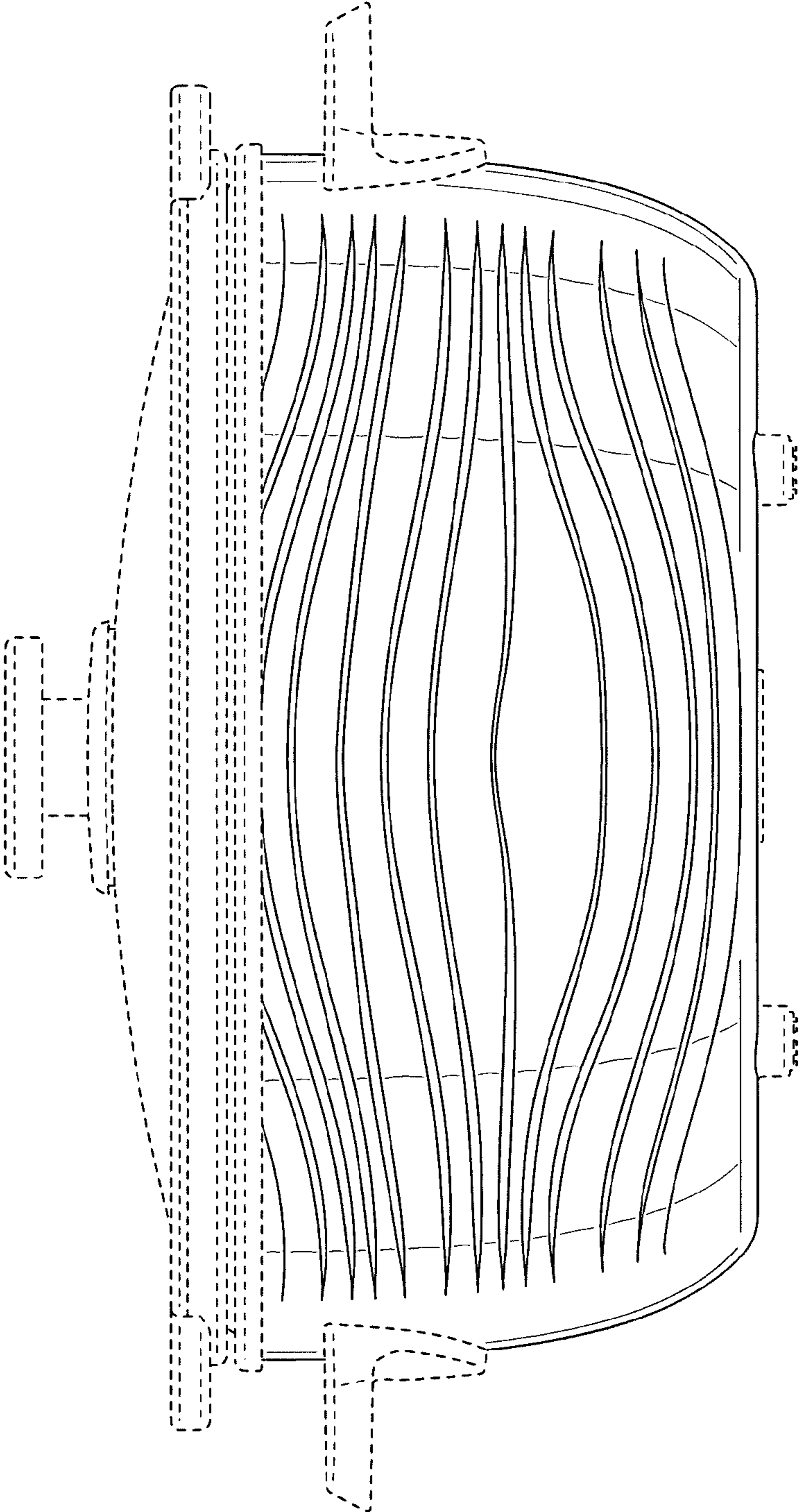


FIG. 3

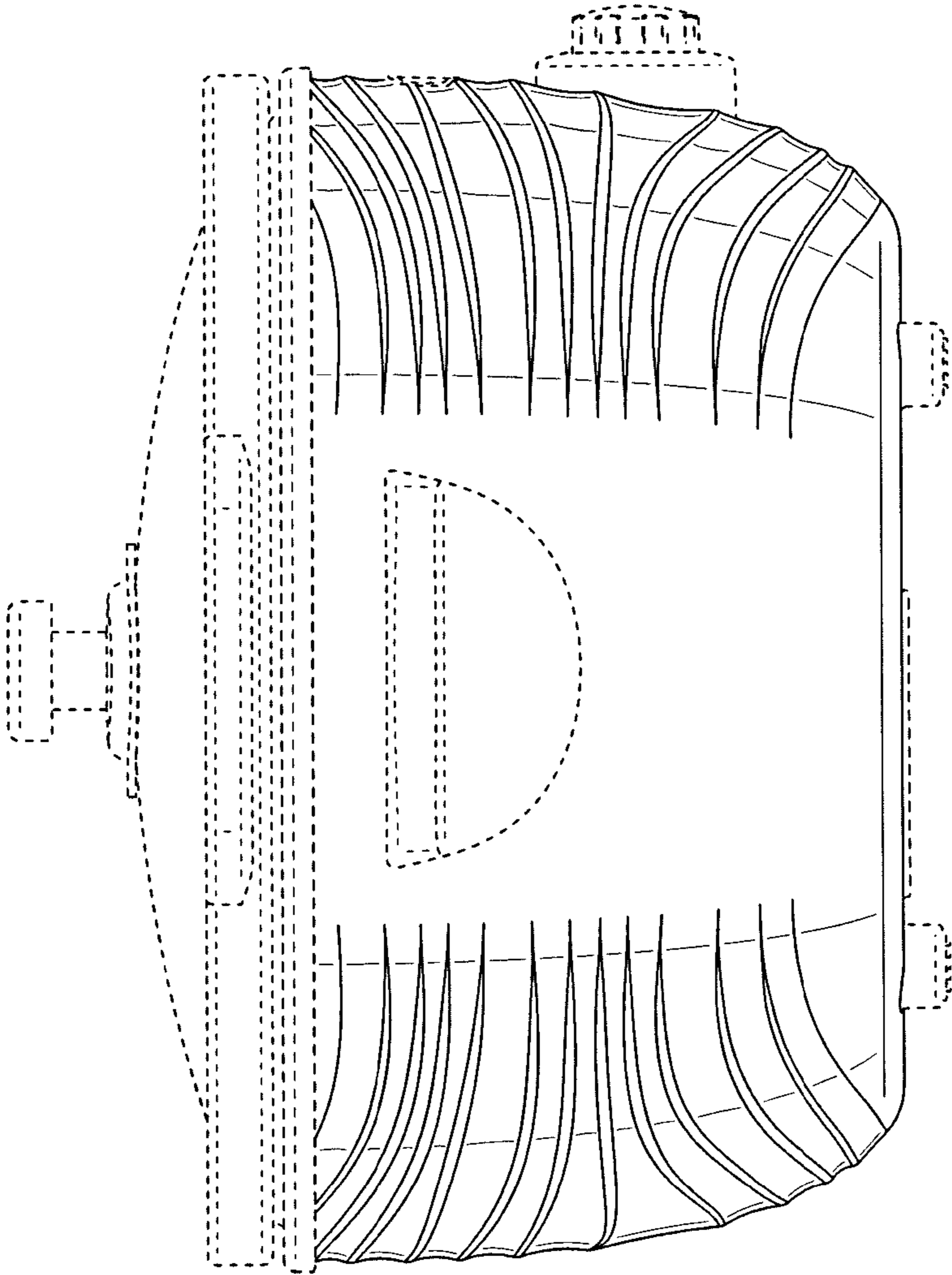


FIG. 4

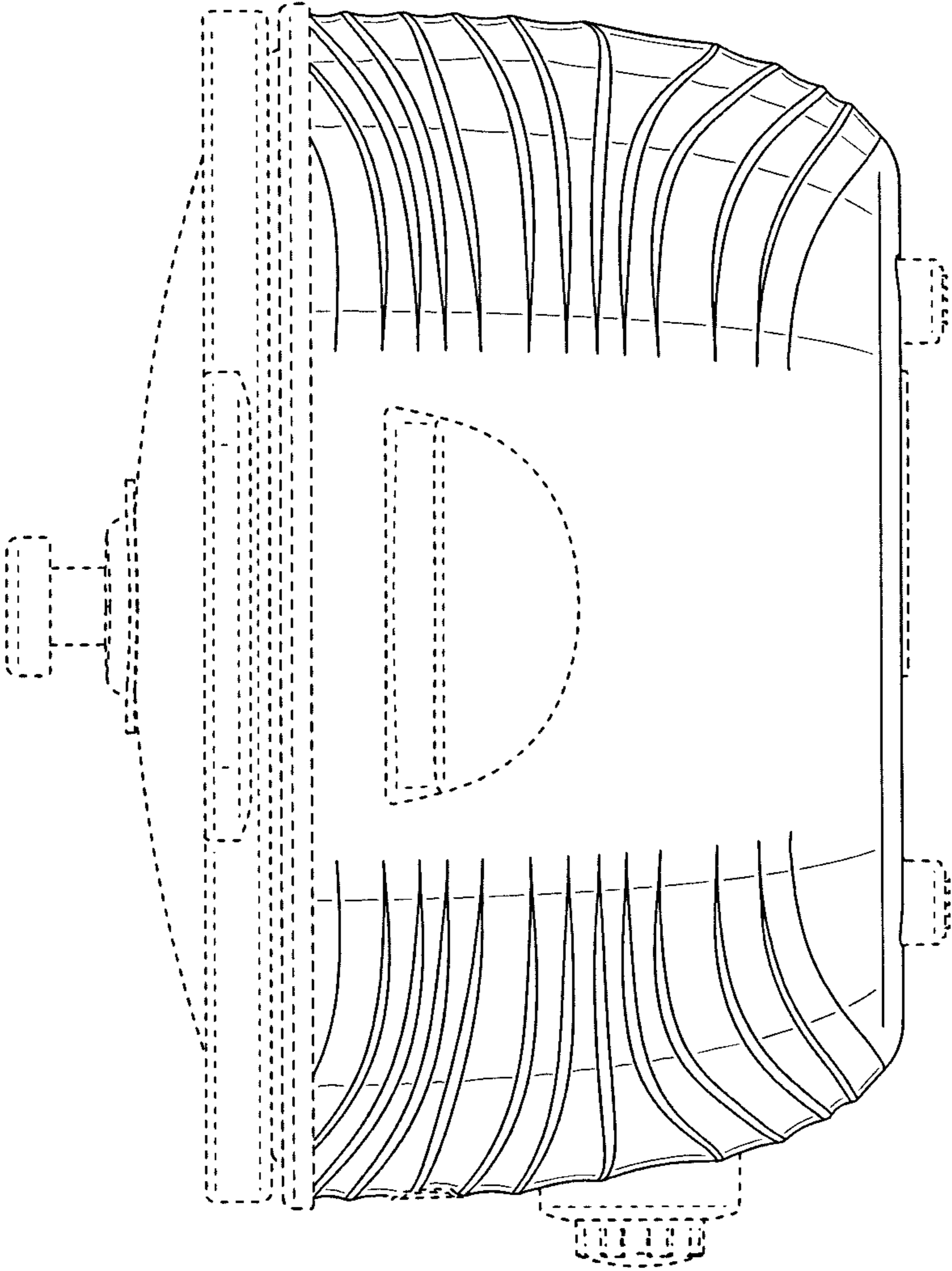


FIG. 5

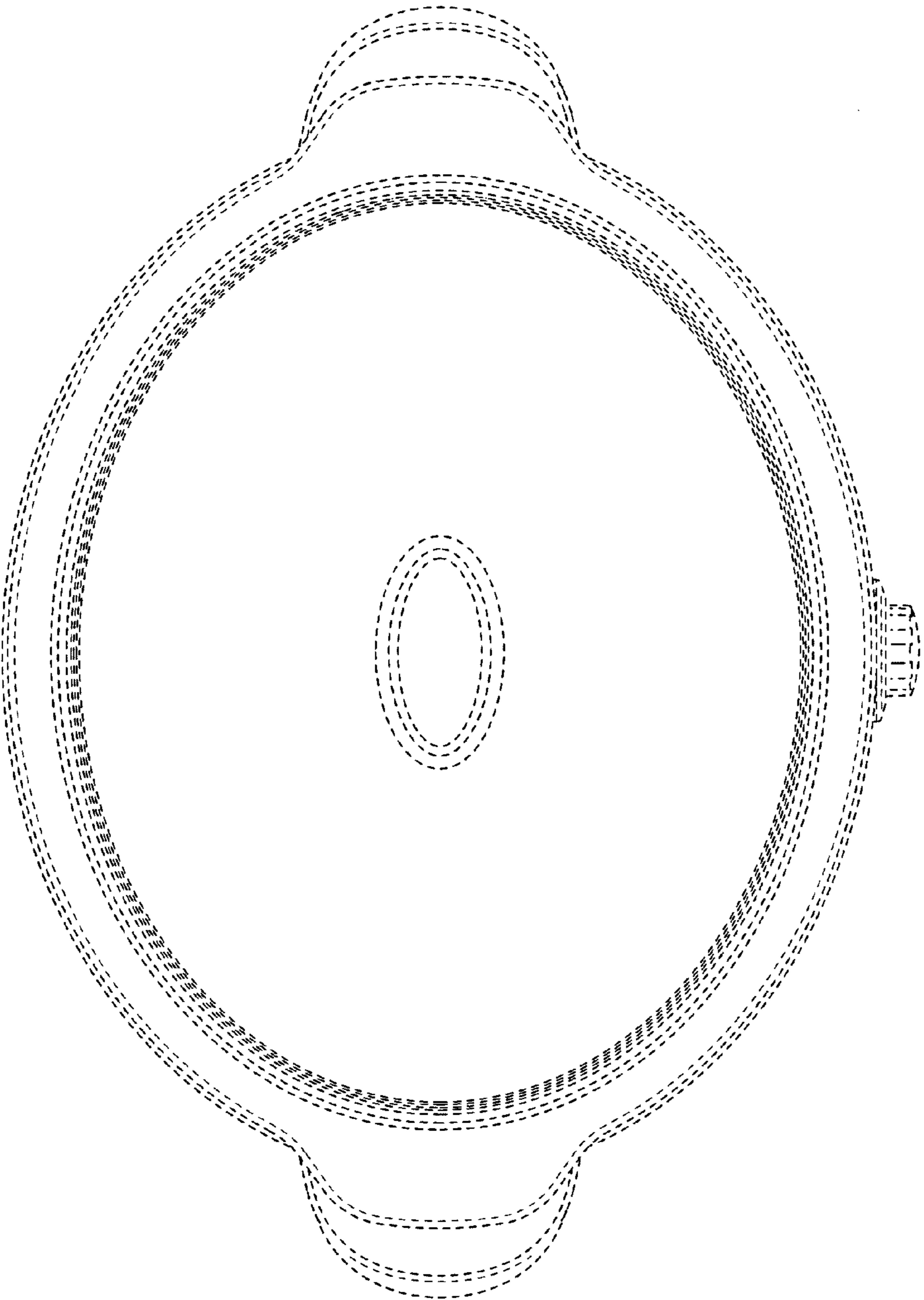


FIG. 6

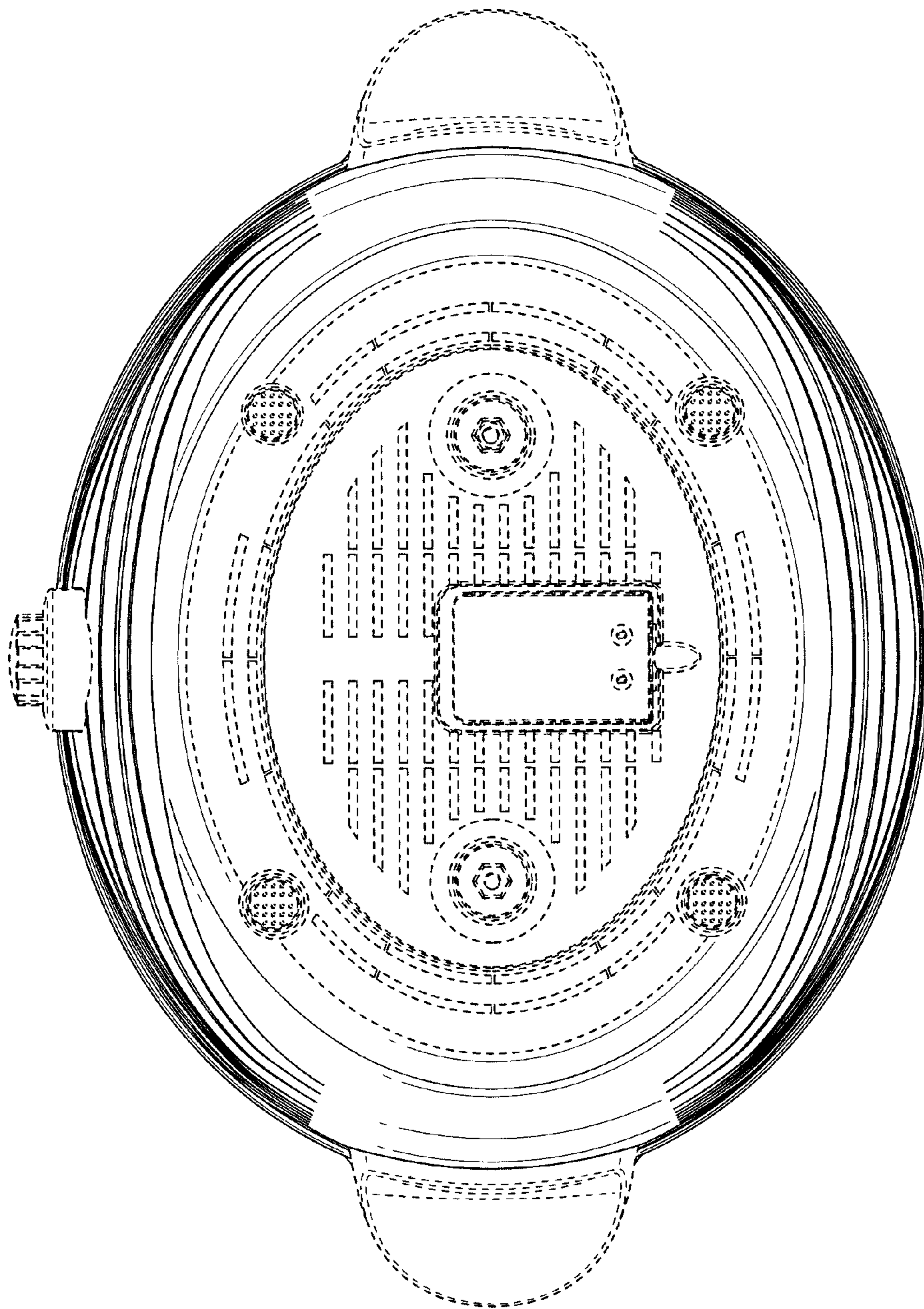


FIG. 7