

US00D730106S

(12) **United States Design Patent**  
**Porter**

(10) **Patent No.:** **US D730,106 S**

(45) **Date of Patent:** **\*\* May 26, 2015**

(54) **STEAMER**

(71) Applicant: **Linda Porter**, Dallas, TX (US)

(72) Inventor: **Linda Porter**, Dallas, TX (US)

(\*\*) Term: **14 Years**

(21) Appl. No.: **29/449,270**

(22) Filed: **Mar. 14, 2013**

(51) **LOC (10) Cl.** ..... **07-02**

(52) **U.S. Cl.**

USPC ..... **D7/354**

(58) **Field of Classification Search**

CPC ..... A47J 27/00; A47J 27/04; A47J 27/004;  
A47J 27/08; A47J 27/0802; A47J 27/0804;  
A47J 27/0811; A47J 27/0813; A47J 27/0815;  
A47J 27/0817; A47J 27/084; A47J 27/09;  
A47J 27/092; A47J 27/60; A47J 36/025;  
A47J 36/06; A47J 37/12; A47J 37/1204;  
A47J 37/1209; A47J 37/1219; A47J 45/07;  
A47J 45/071; A47J 45/074; A47J 45/08;  
A47G 19/2288; A47L 15/505; E21B 27/00;  
B01D 2201/345; B01J 3/03; B01J 3/04;  
B08B 3/04; B65D 21/086; B65D 25/04;  
F01P 2011/0247; F01P 2011/0252; H05B  
6/00; H05B 6/02; H05B 6/06  
USPC ..... D7/323, 354-361, 391, 393, 409;  
D11/148; 99/324, 336-339, 403, 407,  
99/418, 425-426, 467; 126/348, 384.1,  
126/390.1; 134/135; 211/133.5; 219/401,  
219/439-441, 620-622; 220/8, 203.01,  
220/203.07, 303, 525, 573.1-573.5, 592.17,  
220/752-753, 755-759, 912; 294/68.22

See application file for complete search history.

(56) **References Cited**

**U.S. PATENT DOCUMENTS**

166,102 A \* 7/1875 Hennaman et al. .... 220/525  
419,497 A \* 1/1890 Caradine ..... 134/135

532,226 A \* 1/1895 Baumgardner ..... 99/407  
737,449 A \* 8/1903 McElhany ..... 294/68.22  
909,715 A \* 1/1909 Troegeler ..... 220/8  
1,272,222 A \* 7/1918 Clayton ..... 99/418  
3,894,551 A \* 7/1975 Stohlman ..... 134/135  
D256,107 S \* 7/1980 Mitchener ..... D11/148  
4,301,942 A \* 11/1981 Kupperman et al. .... 220/592.17  
D296,287 S \* 6/1988 Mueller ..... D7/409  
4,836,392 A \* 6/1989 Constantino ..... 211/133.5  
6,446,545 B2 \* 9/2002 Rigney ..... 99/339  
8,067,716 B1 \* 11/2011 Lloyd ..... 219/439

\* cited by examiner

*Primary Examiner* — Ricky Pham

(74) *Attorney, Agent, or Firm* — David W. Carstens;  
Carstens & Cahoon, LLP

(57) **CLAIM**

The ornamental design for a steamer, as shown and described.

**DESCRIPTION**

FIG. 1 is a perspective view of the steamer of the present invention, with a removable handle attached;

FIG. 2 is a perspective view of the steamer of the present invention, with a removable handle in an unattached position;

FIG. 3 is a front elevation view thereof, with a removable handle attached;

FIG. 4 is a rear elevation view thereof, with a removable handle attached;

FIG. 5 is a right side elevation view thereof, with a removable handle attached;

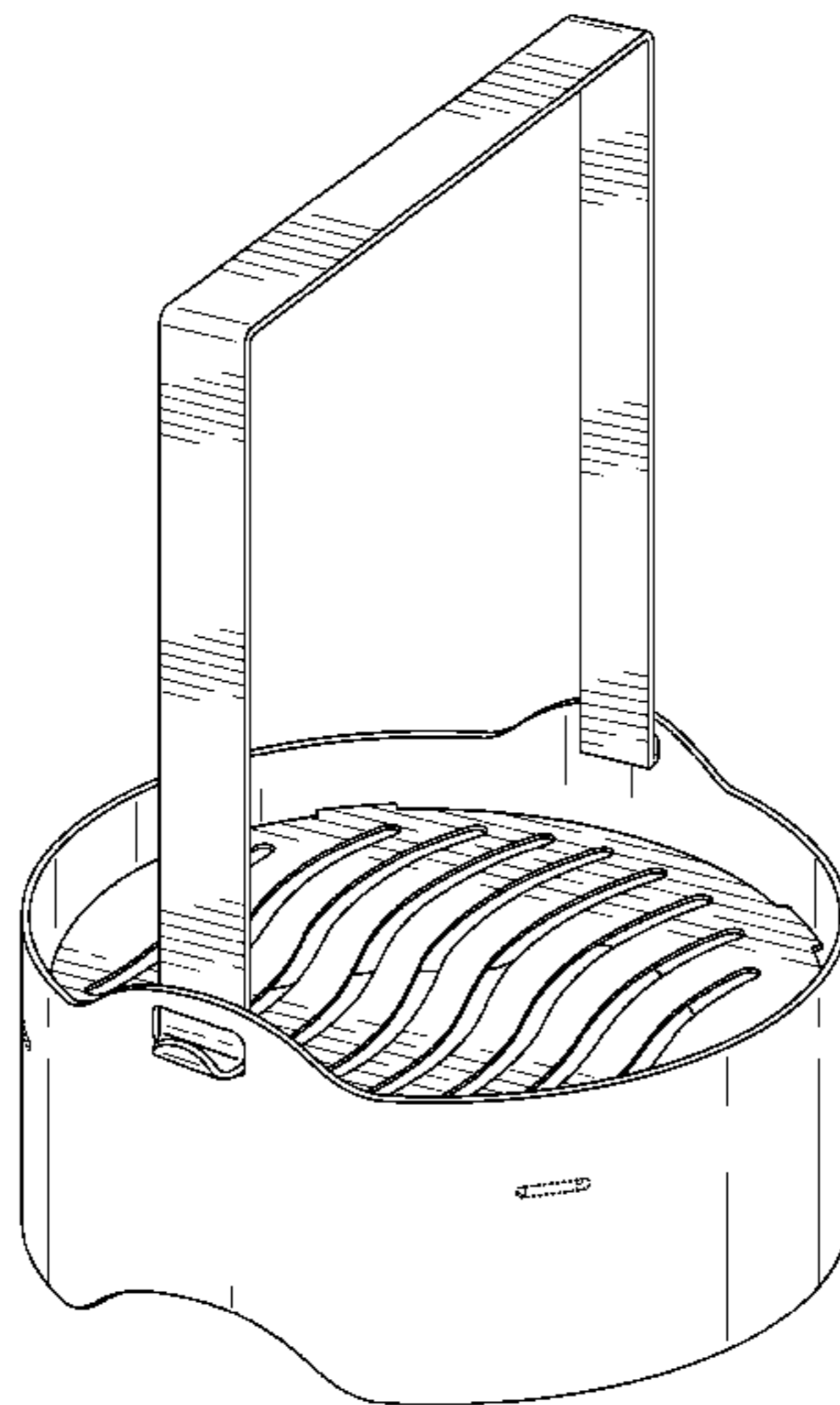
FIG. 6 is a left side elevation view thereof, with a removable handle attached;

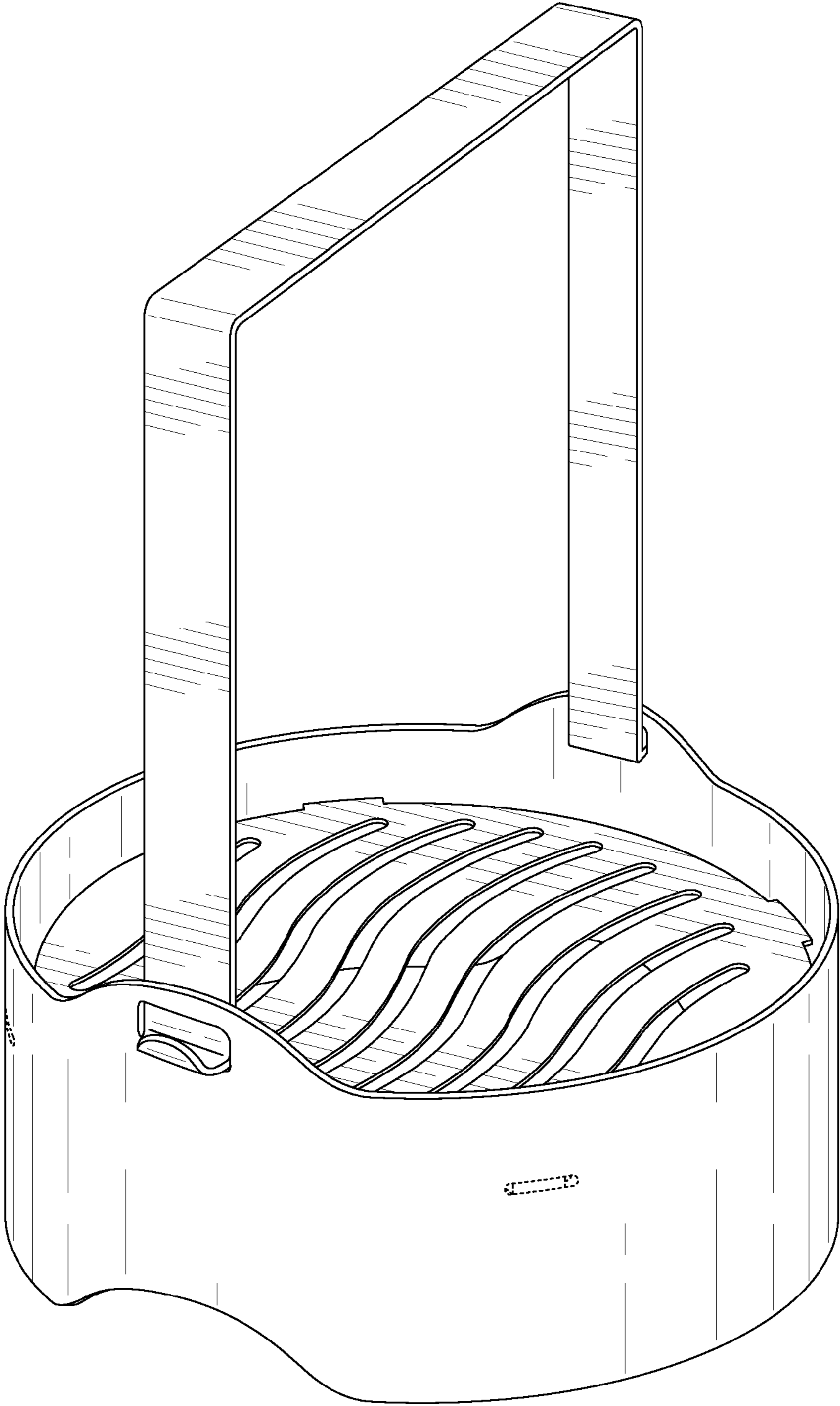
FIG. 7 is a top plan view thereof, with a removable handle attached; and,

FIG. 8 is a bottom plan view thereof, with a removable handle attached.

The broken lines are the welding joints shown in the views for illustrative purposes only and form no part of the claimed design.

**1 Claim, 7 Drawing Sheets**





**FIG. 1**

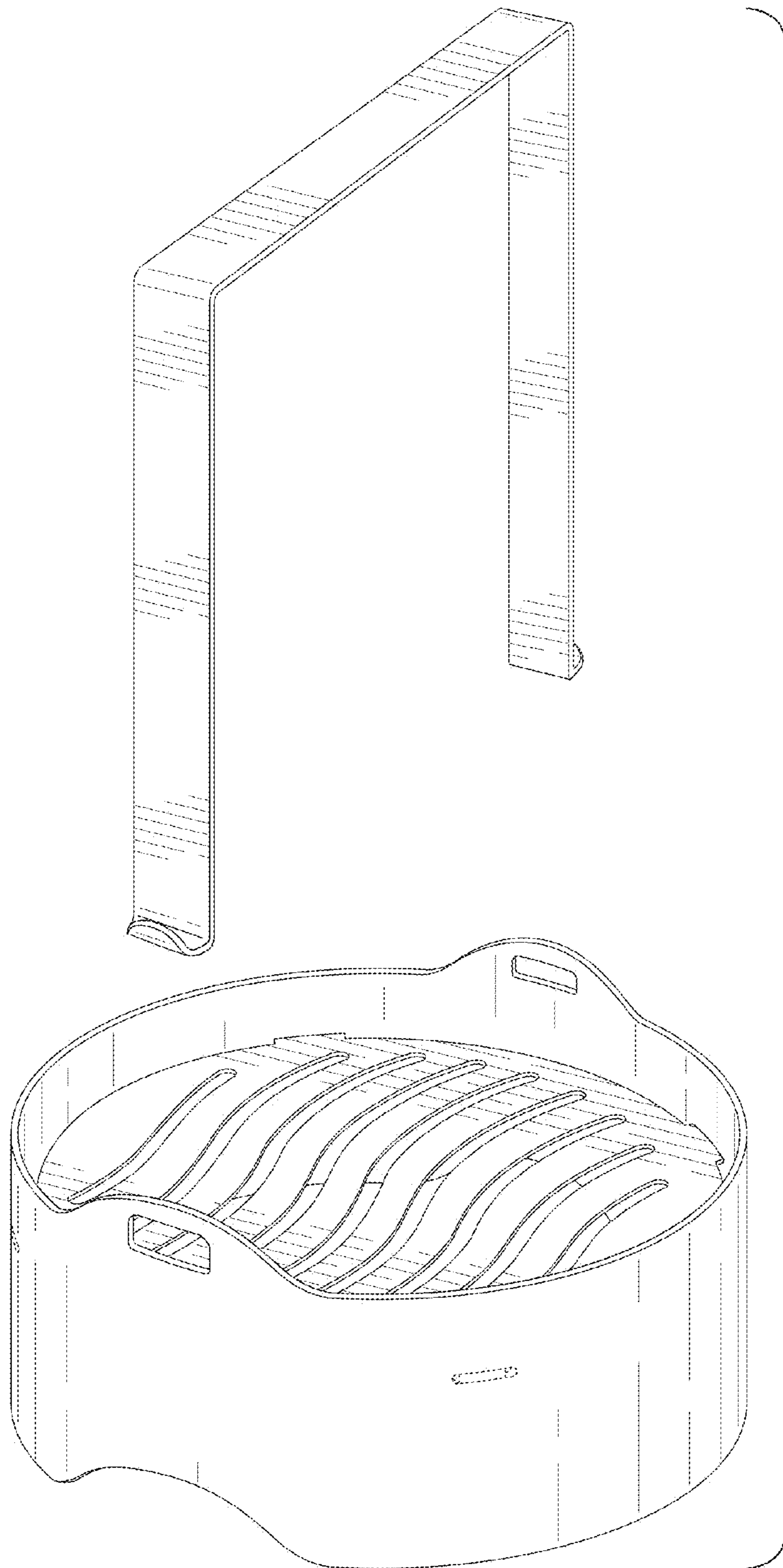
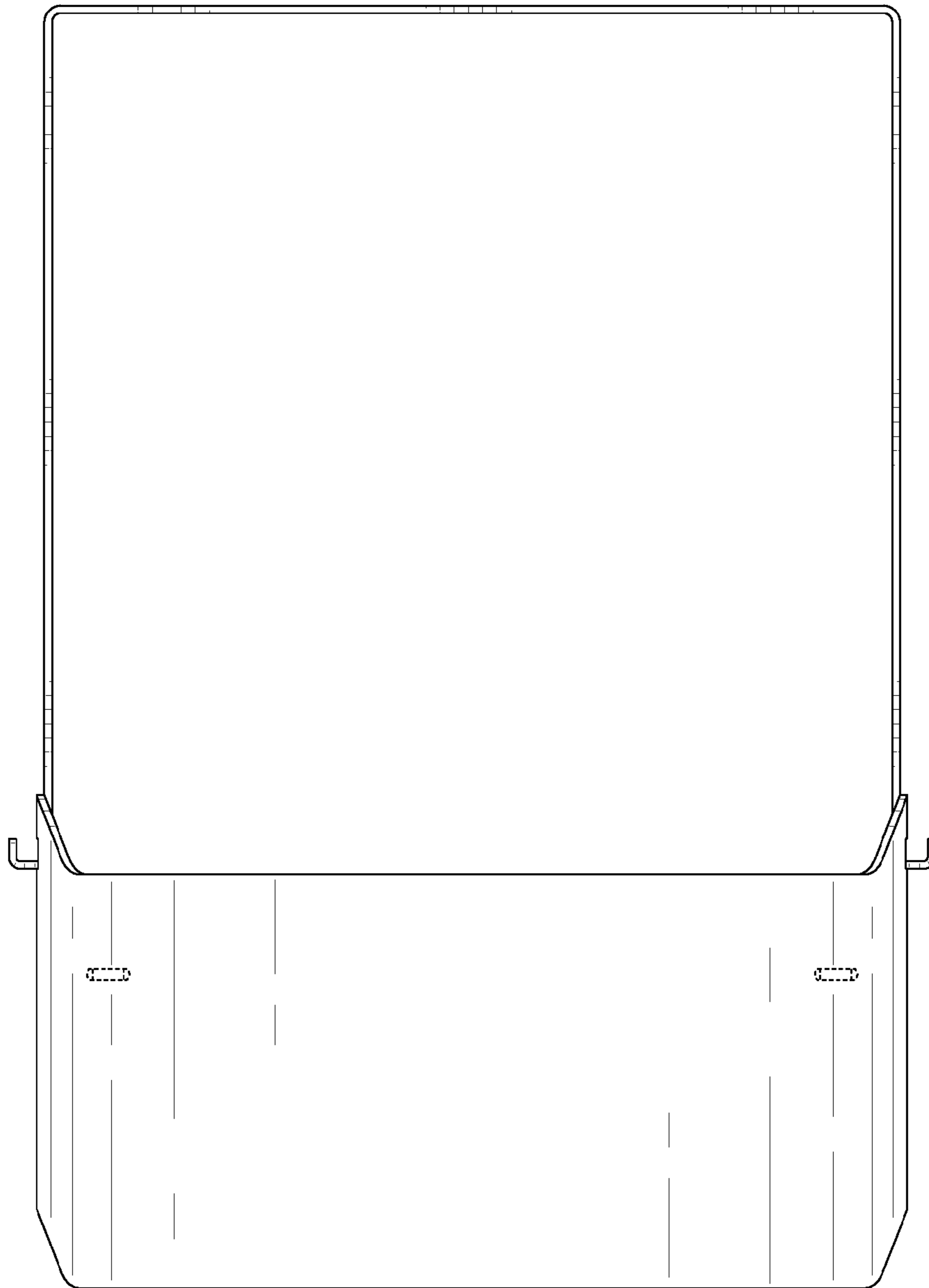
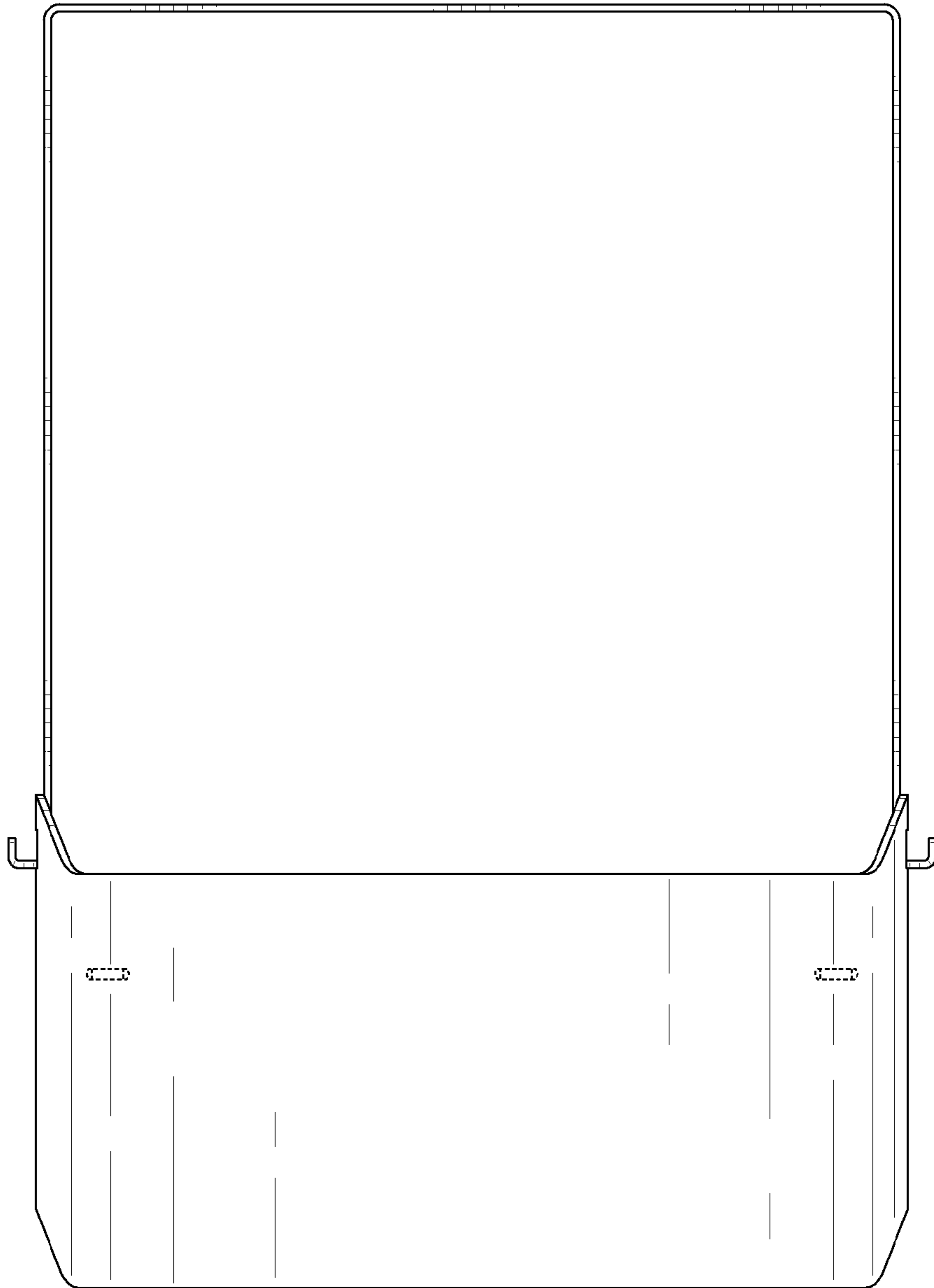


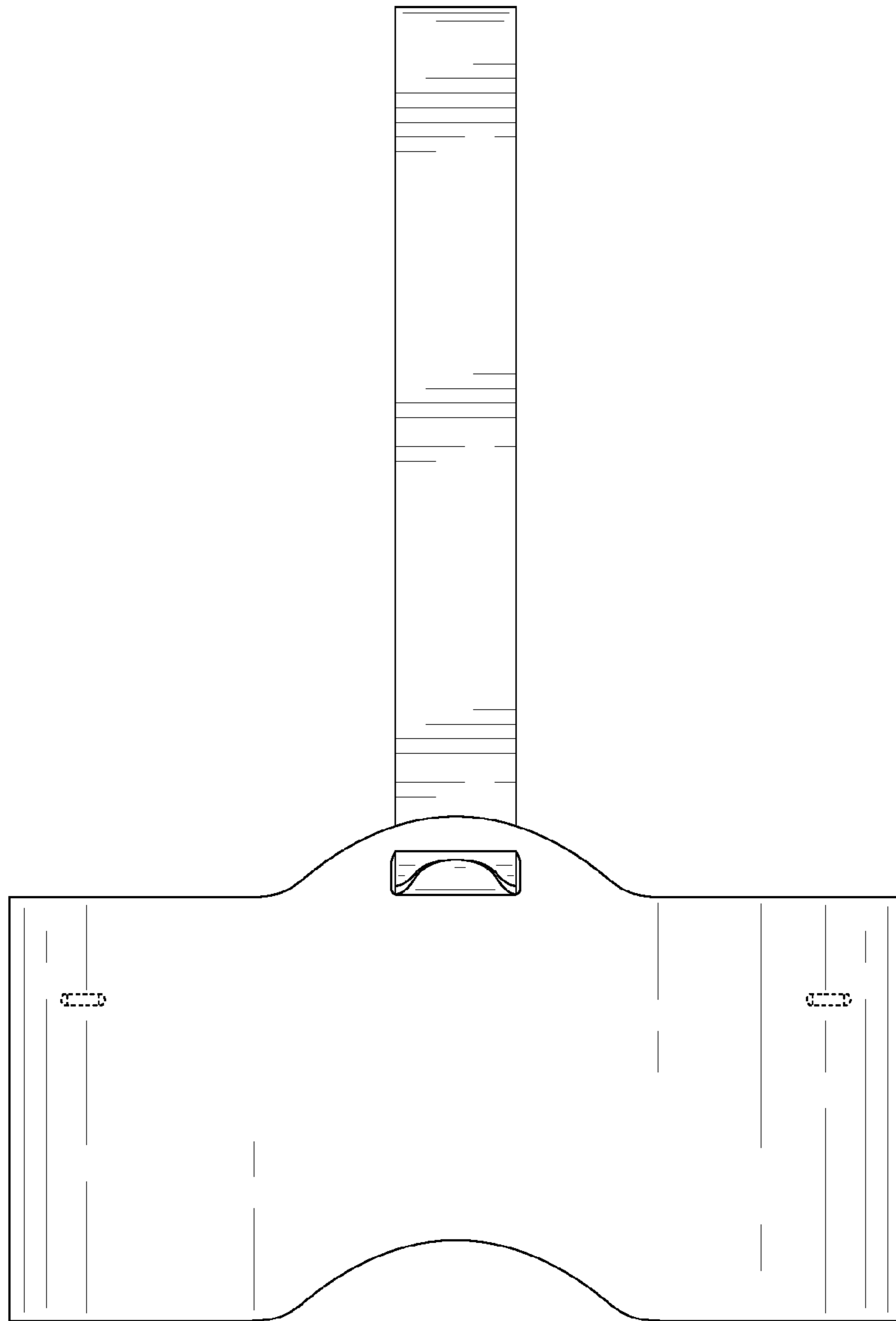
FIG. 2



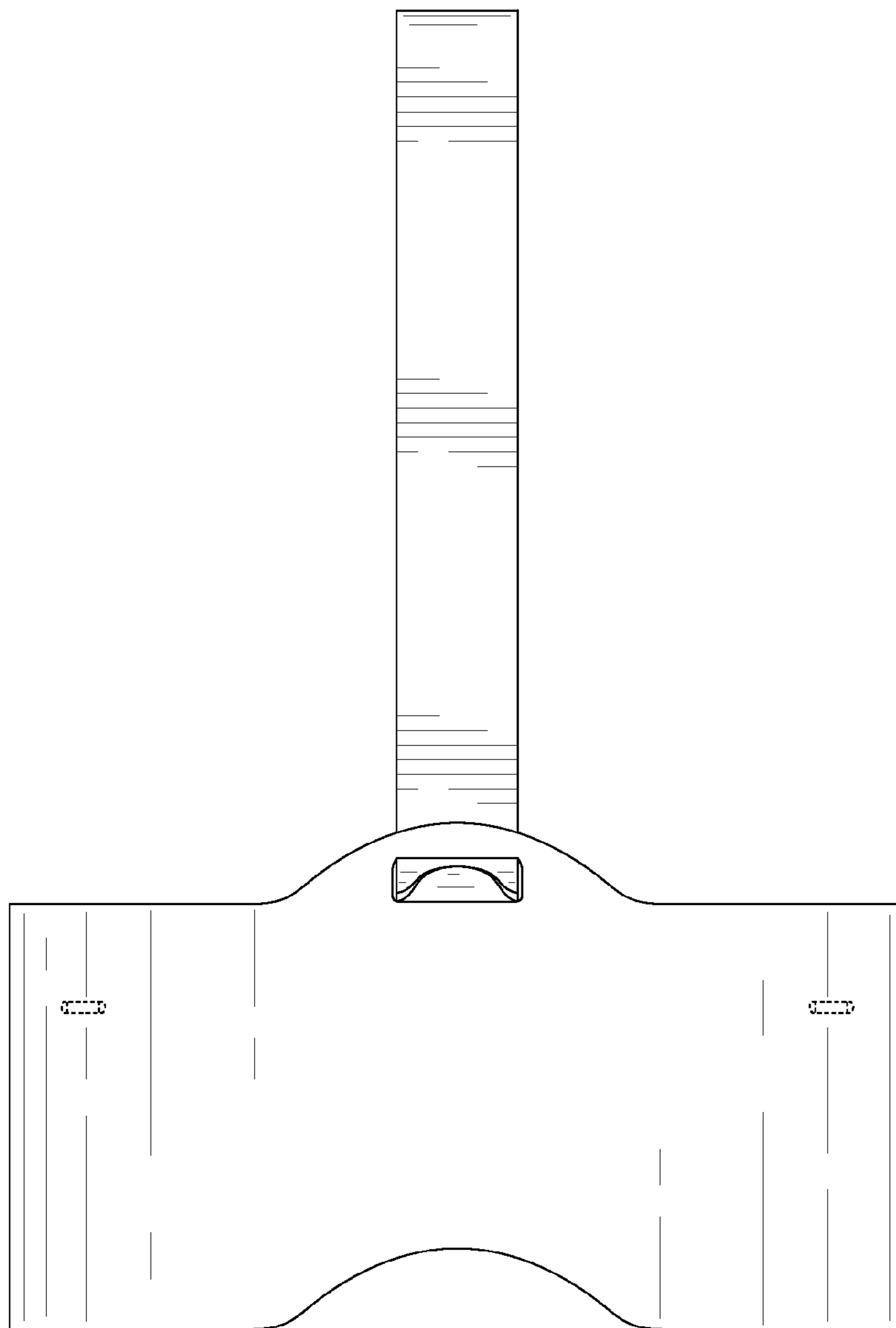
**FIG. 3**



**FIG. 4**



**FIG. 5**



**FIG. 6**



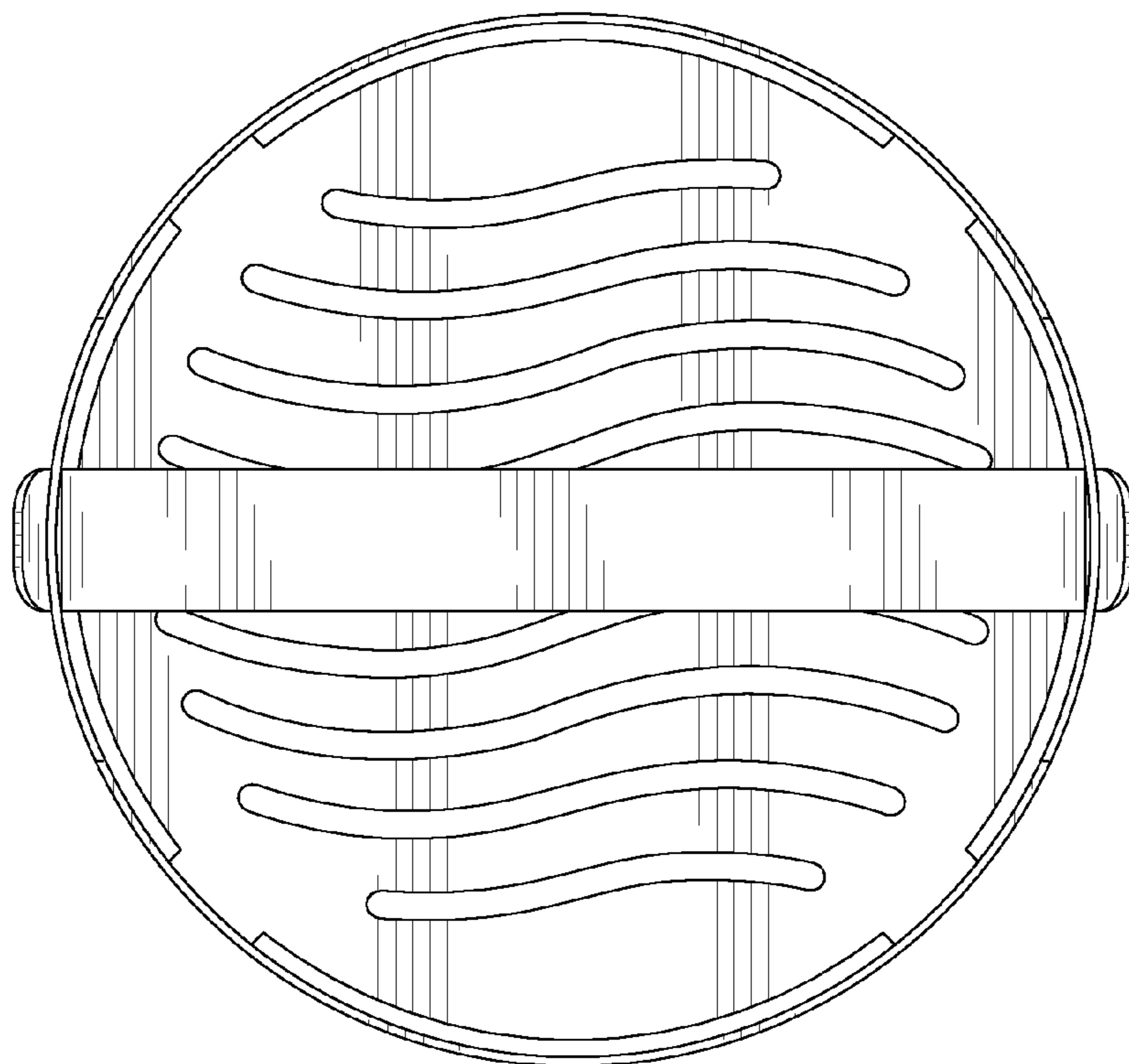


FIG. 7



FIG. 8