



US00D730104S

(12) **United States Design Patent**
Stredney

(10) **Patent No.:** **US D730,104 S**

(45) **Date of Patent:** **** May 26, 2015**

- (54) **PORTABLE HAND HELD GRILL**
- (71) Applicant: **Dale J. Stredney**, Naperville, IL (US)
- (72) Inventor: **Dale J. Stredney**, Naperville, IL (US)
- (**) Term: **14 Years**
- (21) Appl. No.: **29/484,118**
- (22) Filed: **Mar. 6, 2014**
- (51) **LOC (10) Cl.** **07-02**
- (52) **U.S. Cl.**
USPC **D7/337**
- (58) **Field of Classification Search**
CPC A47J 37/0704; A47J 37/0763; A47J
37/0745; A47J 37/0713; A23B 4/052; F24C
3/14; F24C 3/027; F24B 1/205
USPC D7/332, 334-337, 402-405, 416-417
See application file for complete search history.

D237,888 S *	12/1975	Weidenborner et al.	D7/417
D258,713 S *	3/1981	Harper	D7/337
D277,224 S *	1/1985	Cole et al.	D7/417
D288,843 S *	3/1987	Barnes	D7/417
D442,422 S *	5/2001	Dabney	D7/337
D443,464 S *	6/2001	Davis	D7/334
D534,756 S *	1/2007	Jensen	D7/332
D611,763 S *	3/2010	Tipton et al.	D7/417
D718,570 S *	12/2014	Chiang	D7/337

* cited by examiner

Primary Examiner — Ruth McInroy

(74) *Attorney, Agent, or Firm* — Knechtel, Demeur & Samlan

(57) **CLAIM**

I claim the ornamental design for a portable hand held grill, as shown and described.

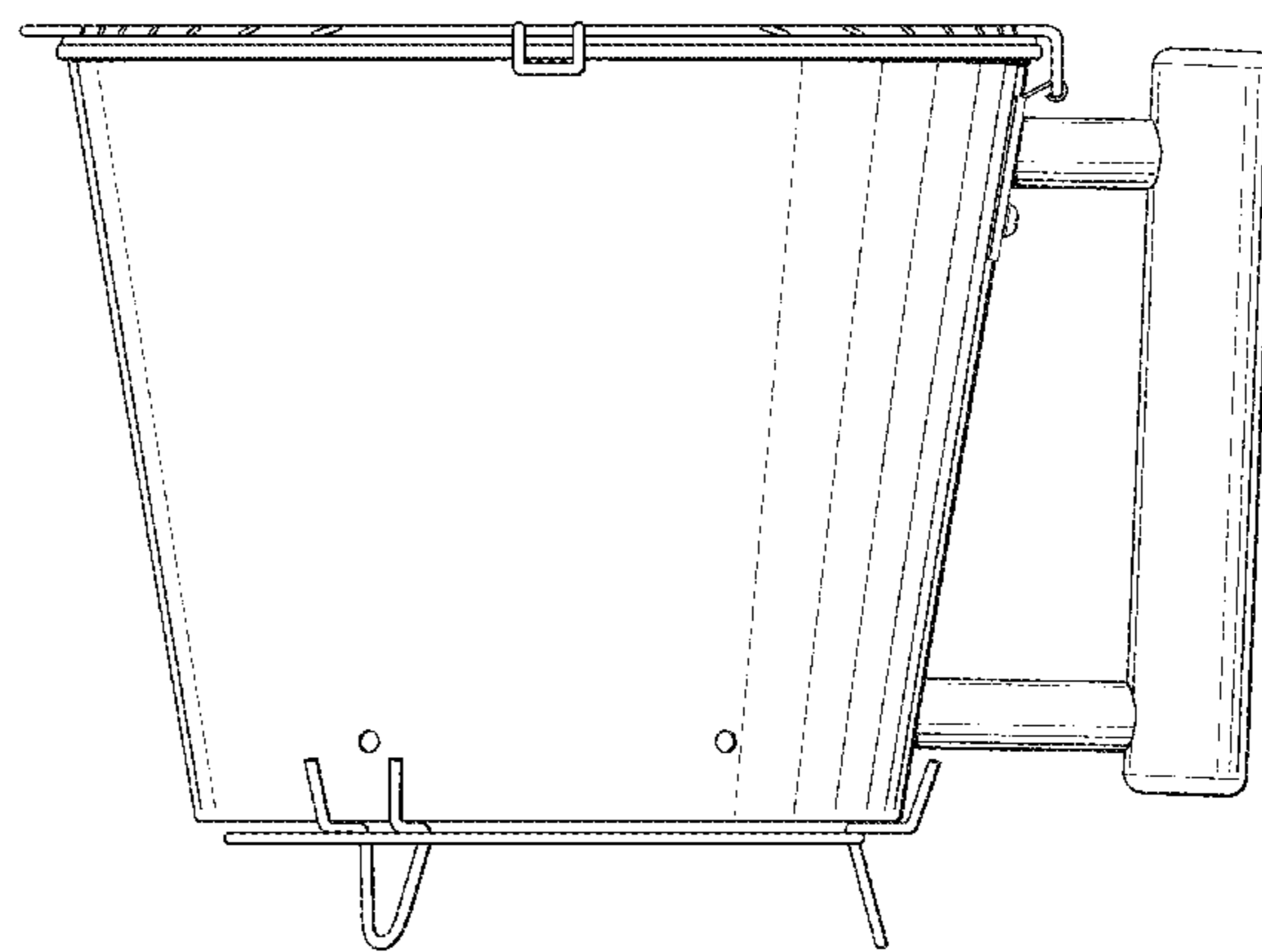
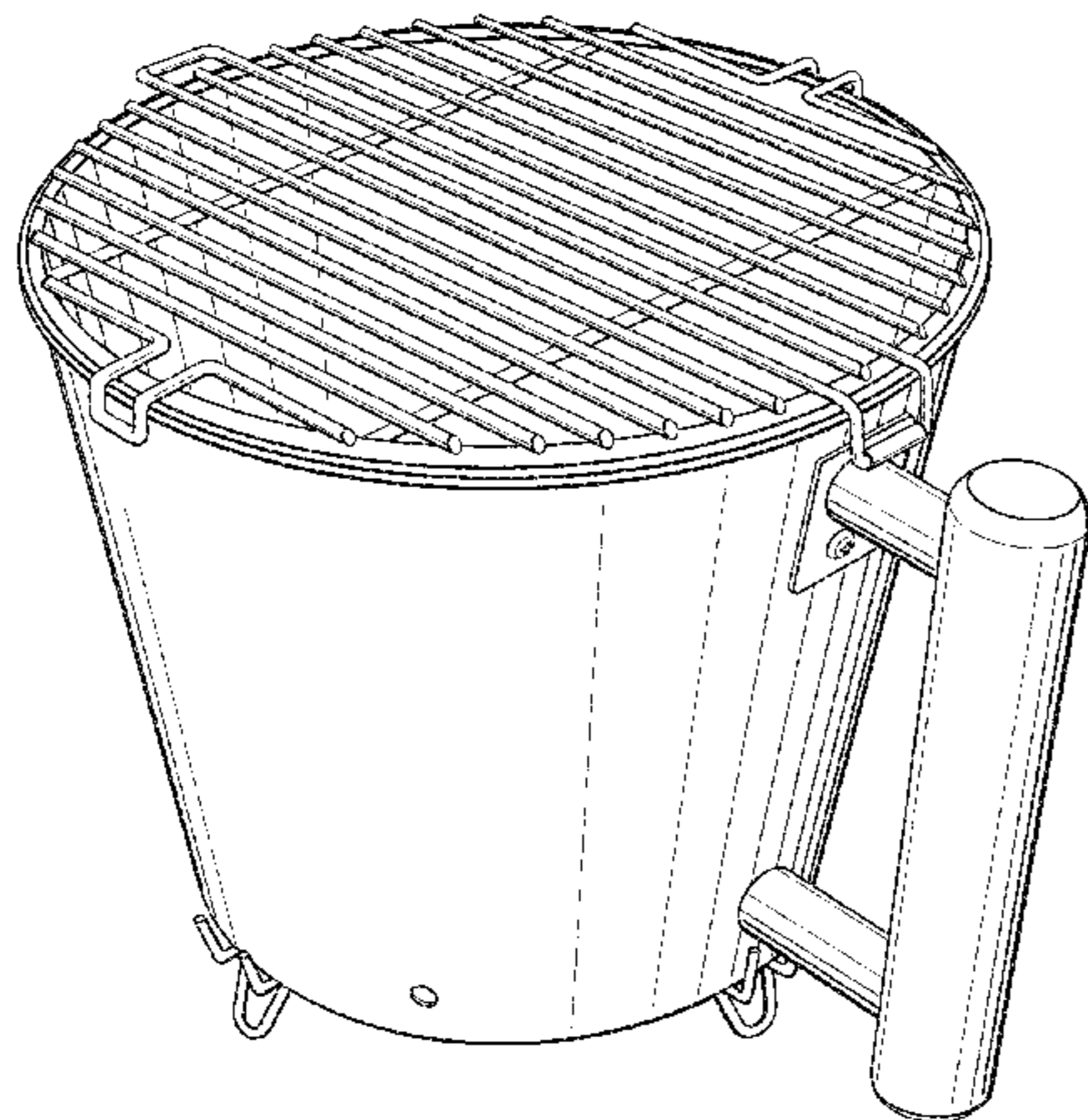
DESCRIPTION

FIG. 1 is a perspective view of the portable hand held grill; FIG. 2 is front elevational view of the portable hand held grill; FIG. 3 is a side elevational view of the portable hand held grill; FIG. 4 is a rear elevational view of the portable hand held grill; FIG. 5 is a top view of the portable hand held grill; and, FIG. 6 is a bottom view of the portable hand held grill.

1 Claim, 6 Drawing Sheets

(56) **References Cited**
U.S. PATENT DOCUMENTS

D171,542 S *	2/1954	Harrel	D7/337
D175,253 S *	8/1955	Greenblat	D7/337
3,046,969 A *	7/1962	Davis	126/9 R
D196,827 S *	11/1963	Jarvis	D7/417
3,368,544 A *	2/1968	Duncan	126/25 B



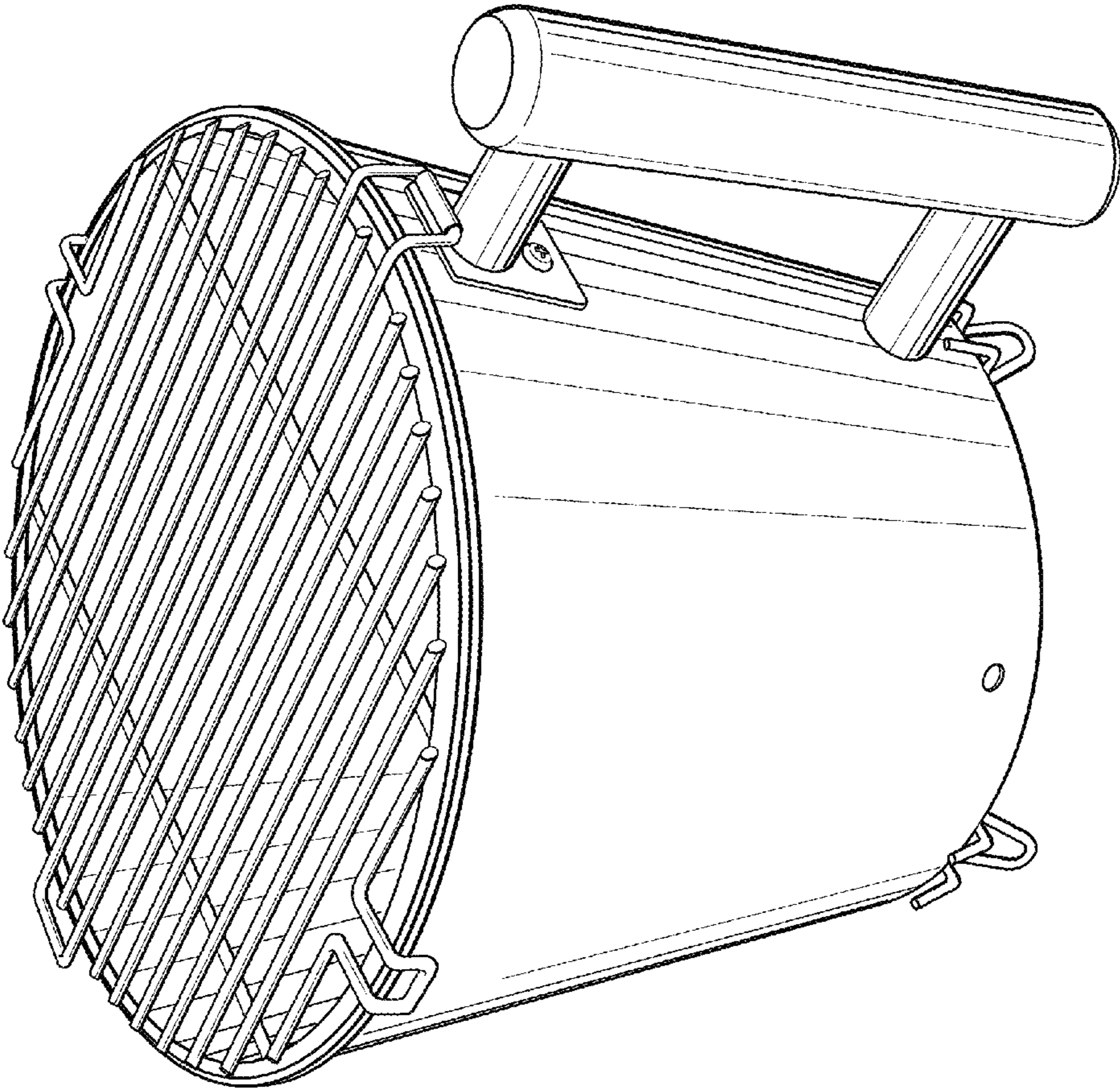


Fig. 1

Fig. 2

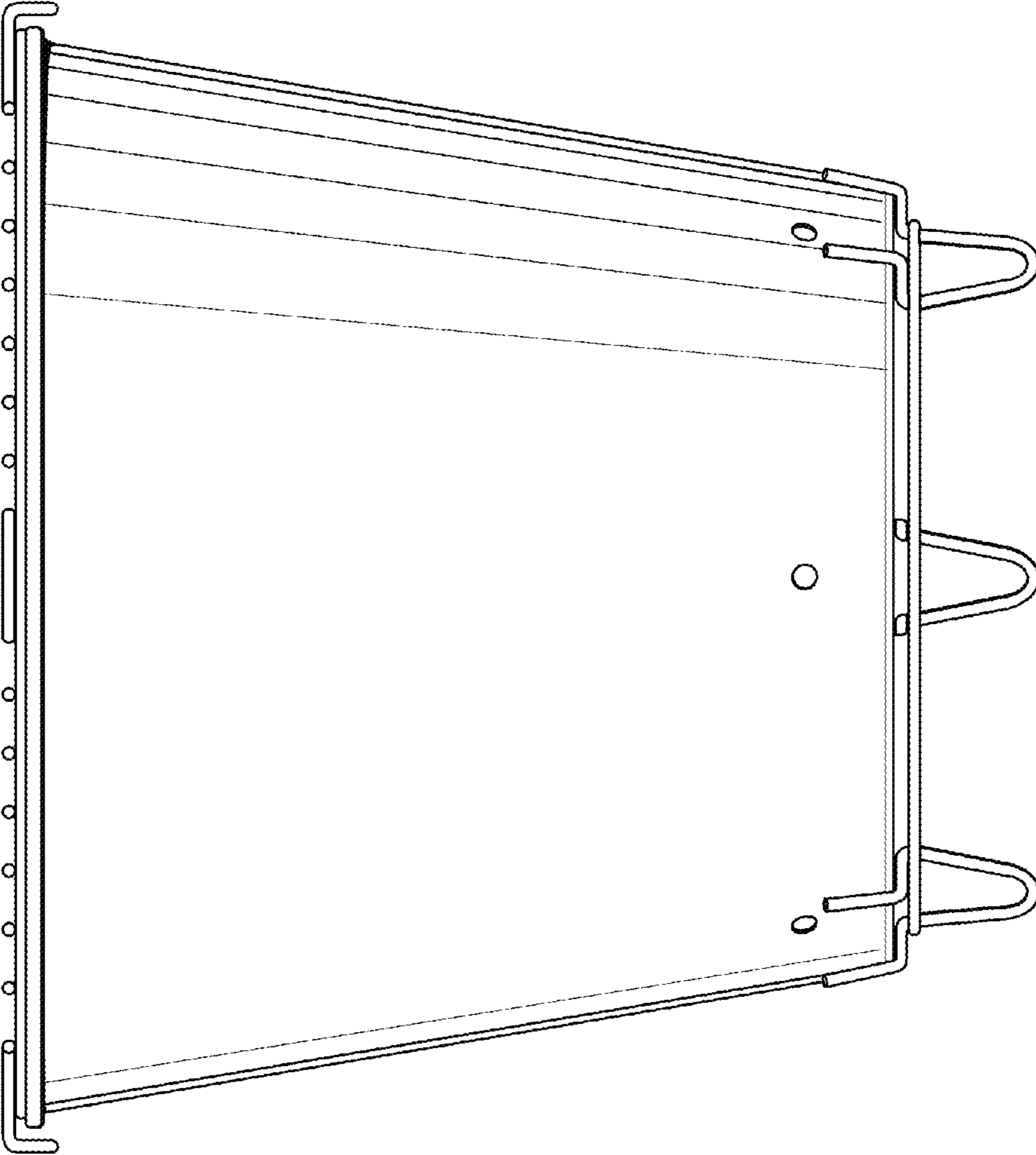


Fig. 3

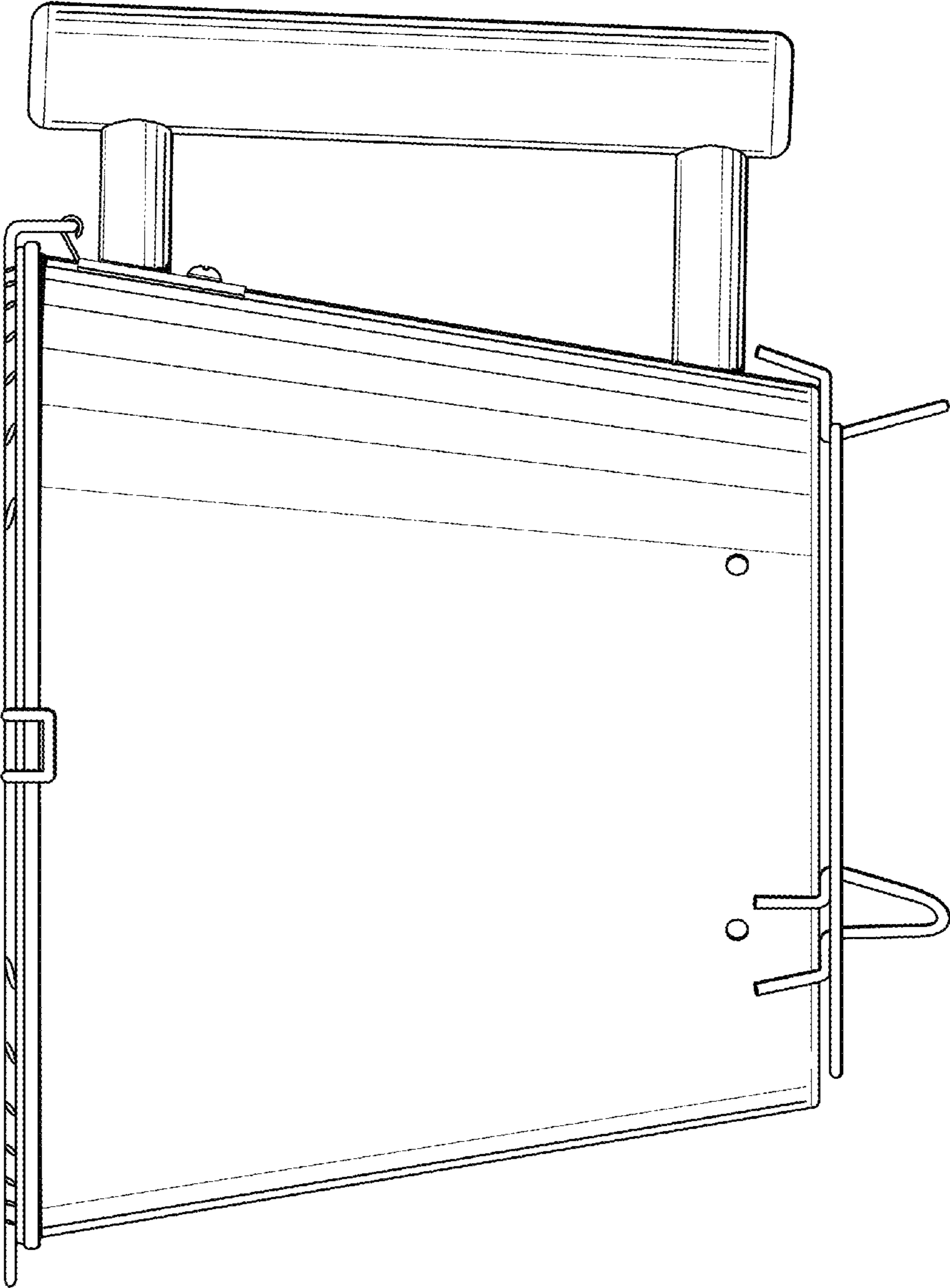
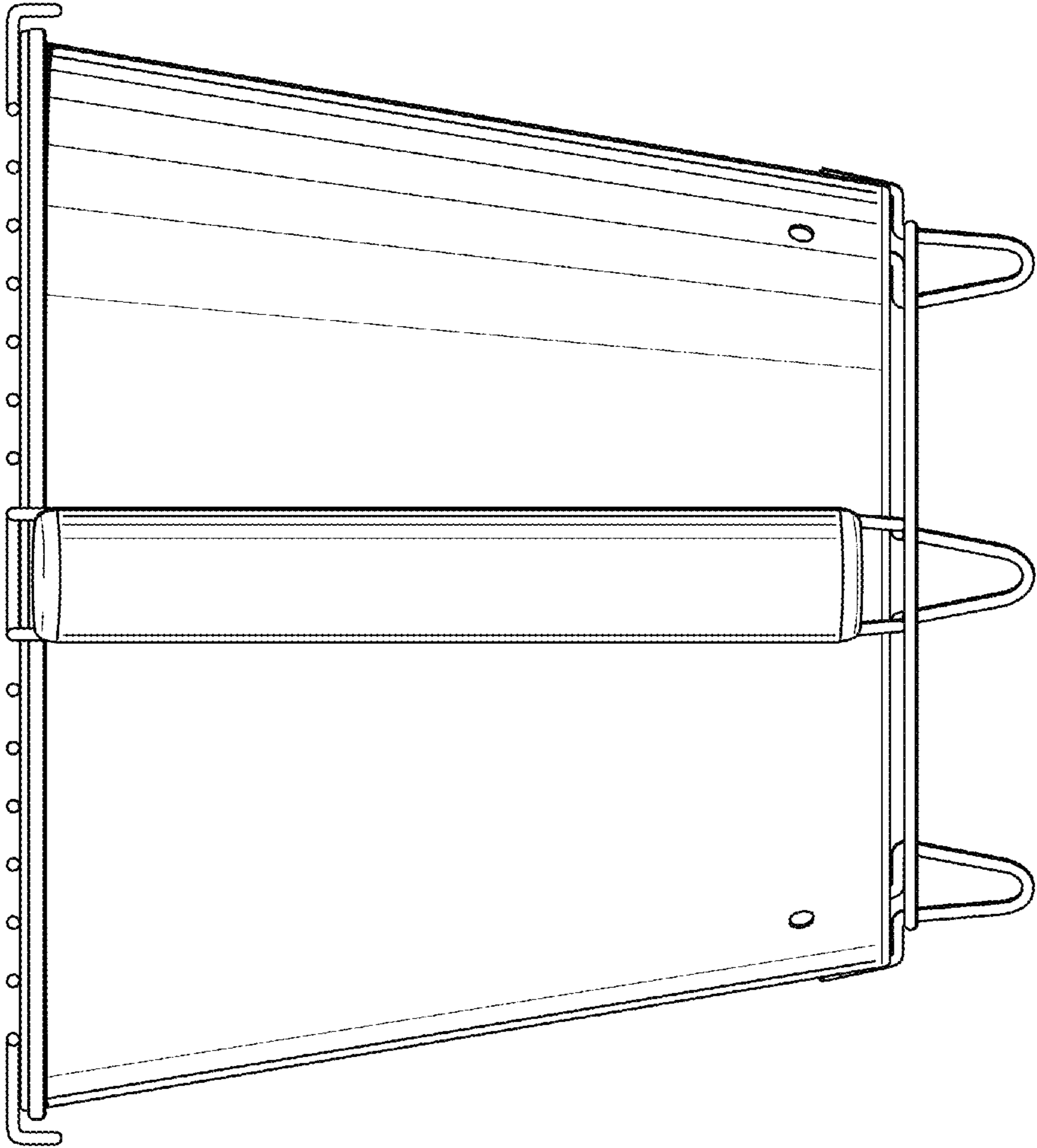


Fig. 4



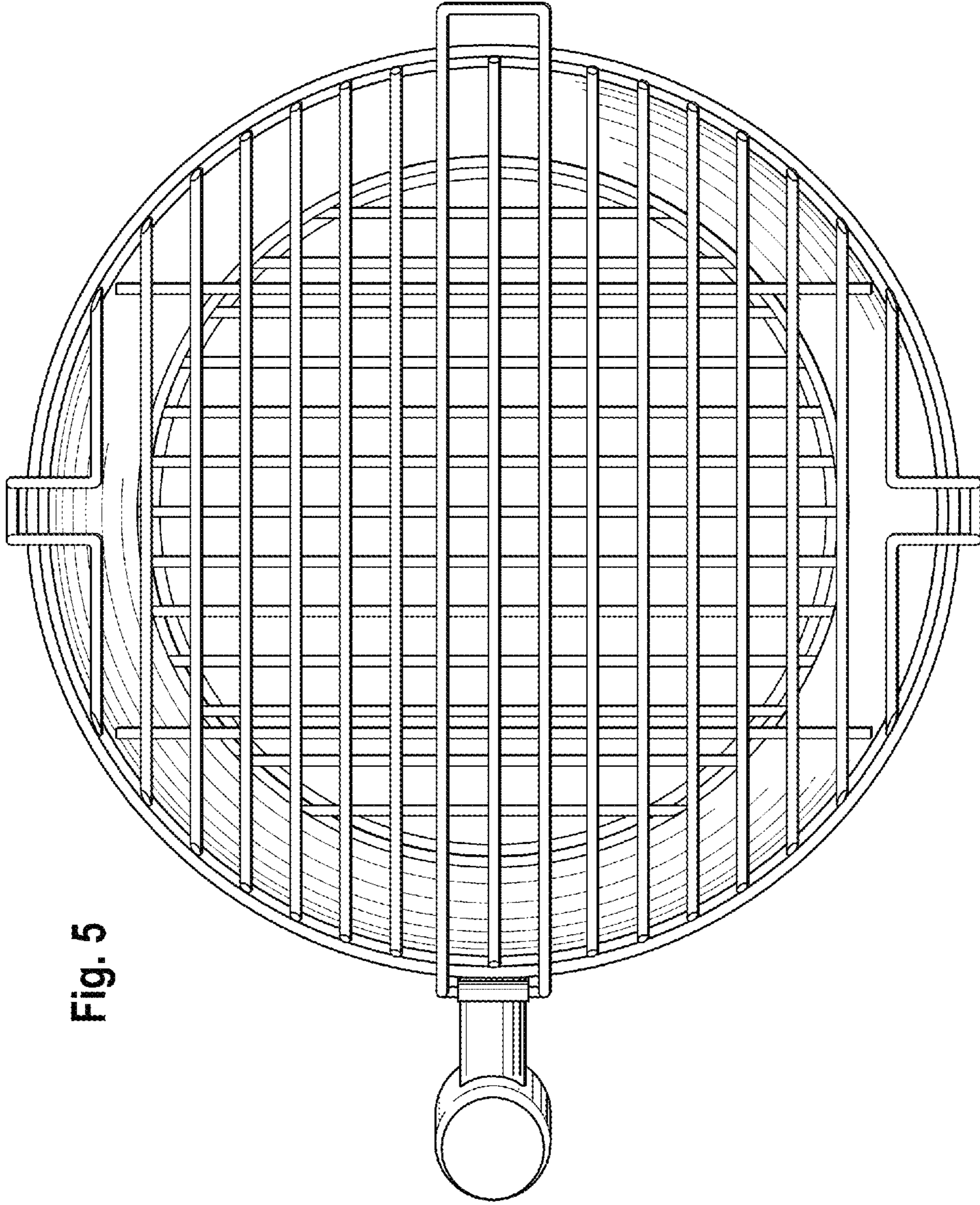


Fig. 5

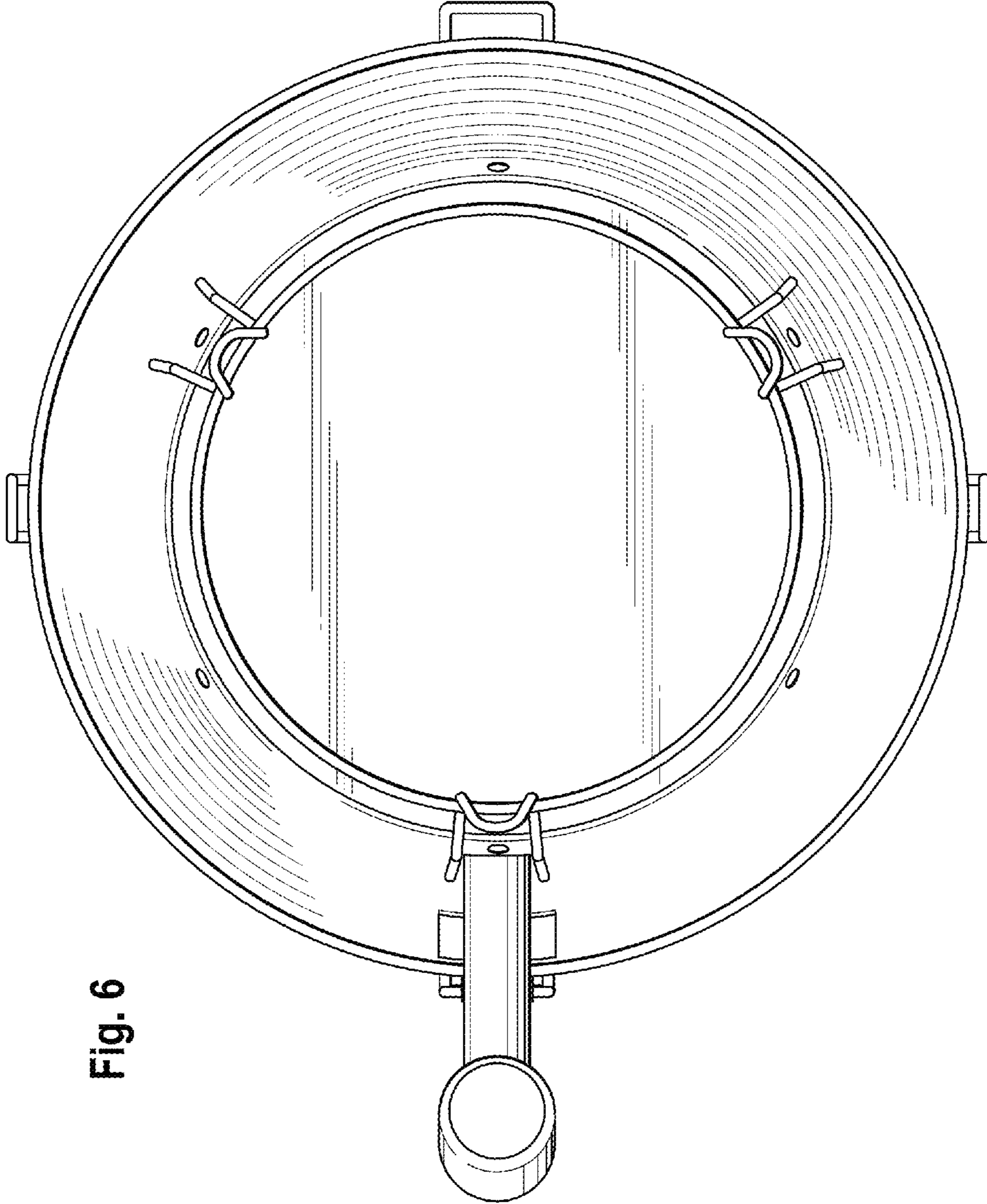


Fig. 6