



US00D730103S

(12) **United States Design Patent**
Manley

(10) **Patent No.:** **US D730,103 S**
(45) **Date of Patent:** **** May 26, 2015**

- (54) **BARBEQUE GRILL**
- (71) Applicant: **Manleys Limited**, Belfast (GB)
- (72) Inventor: **Lester Manley**, Belfast (GB)
- (73) Assignee: **Manleys Limited**, Belfast (GB)
- (**) Term: **14 Years**
- (21) Appl. No.: **29/468,317**
- (22) Filed: **Sep. 27, 2013**

Related U.S. Application Data

- (63) Continuation-in-part of application No. 29/450,928, filed on Mar. 26, 2013, now abandoned.

(30) **Foreign Application Priority Data**

Sep. 28, 2012 (EM) 002111005

- (51) **LOC (10) Cl.** **07-02**
- (52) **U.S. Cl.**
USPC **D7/334**

(58) **Field of Classification Search**

CPC A47J 37/07-37/079; A47J 2037/0777
 USPC D7/332, 334-337, 402-406; 126/25 R, 126/25 A, 25 AA, 37 R, 41 R, 41 A, 40, 39 M, 126/50, 214 D, 289, 285 R, 505, 506, 276, 126/312, 29-30, 154, 337 A, 83, 275 R, 9 R, 126/39 E, 39 K, 39 J, 39 N, 41 B, 42; D8/380-381, 373, 354; 248/354.6, 248/354.4, 354.5, 354.1, 207, 213.2, 248/220.21, 309.1, 311.2, 316.1, 243, 247; 99/393, 402; D21/541, 549, 550, 548; D34/16

See application file for complete search history.

(56) **References Cited**

U.S. PATENT DOCUMENTS

D218,654 S * 9/1970 Moncrief D7/334
 D223,065 S * 3/1972 Turner D7/334

(Continued)

OTHER PUBLICATIONS

Design U.S. Appl. No. 29/450,928, filed Mar. 26, 2013, entitled Barbeque Grill by Inventor Lester Manley.

Primary Examiner — Ruth McInroy

(74) *Attorney, Agent, or Firm* — Gardner, Linn, Burkhardt & Flory, LLP

(57) **CLAIM**

The ornamental design for a barbeque grill, as shown and described.

DESCRIPTION

FIG. 1 is a front perspective view of the barbeque grill of the present invention;

FIG. 2 is a rear perspective view of the barbeque grill of FIG. 1;

FIG. 3 is a left side elevation of the barbeque grill of FIG. 1;

FIG. 4 is a right side elevation of the barbeque grill of FIG. 1;

FIG. 5 is a front elevation of the barbeque grill of FIG. 1;

FIG. 6 is a rear elevation of the barbeque grill of FIG. 1;

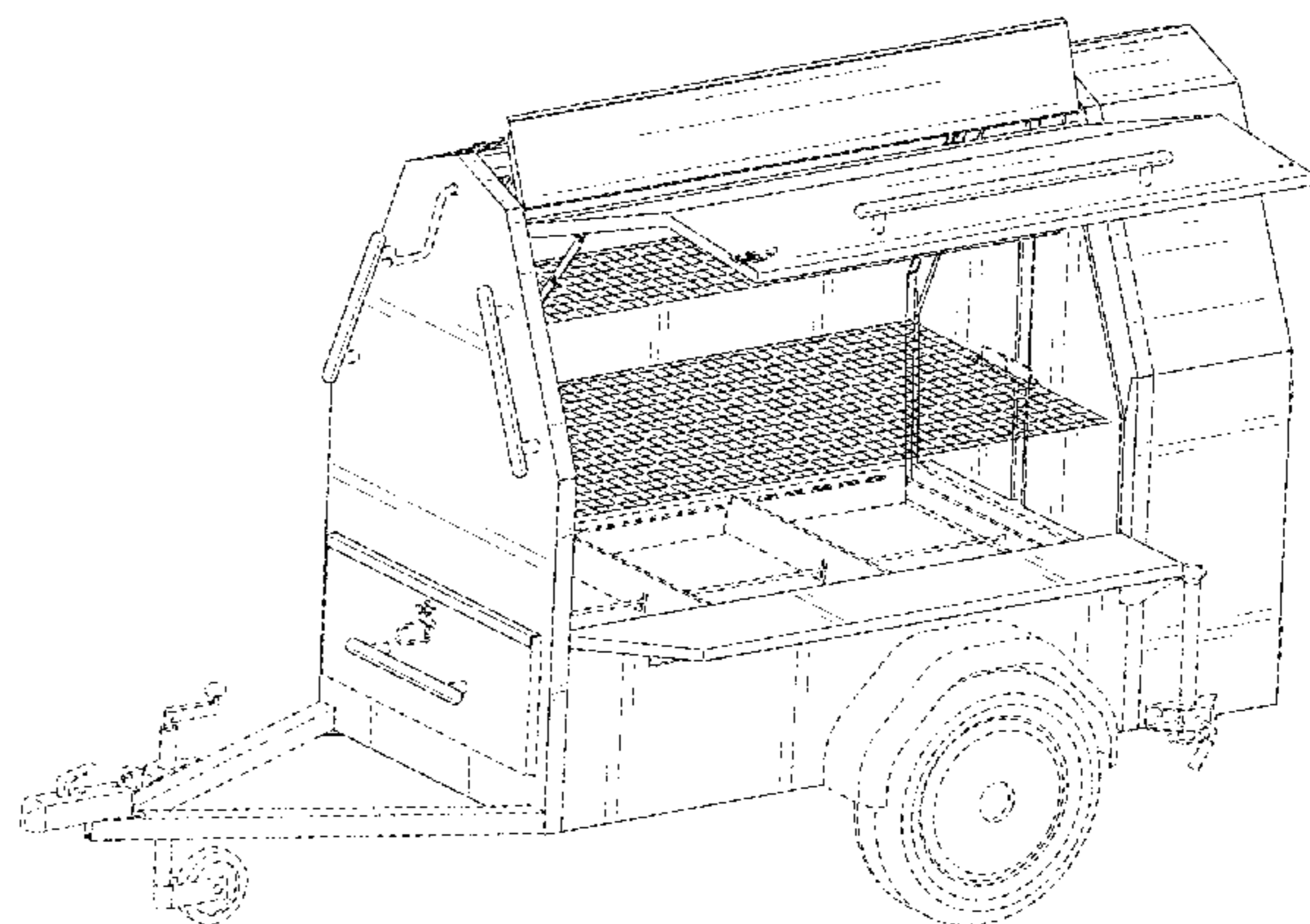
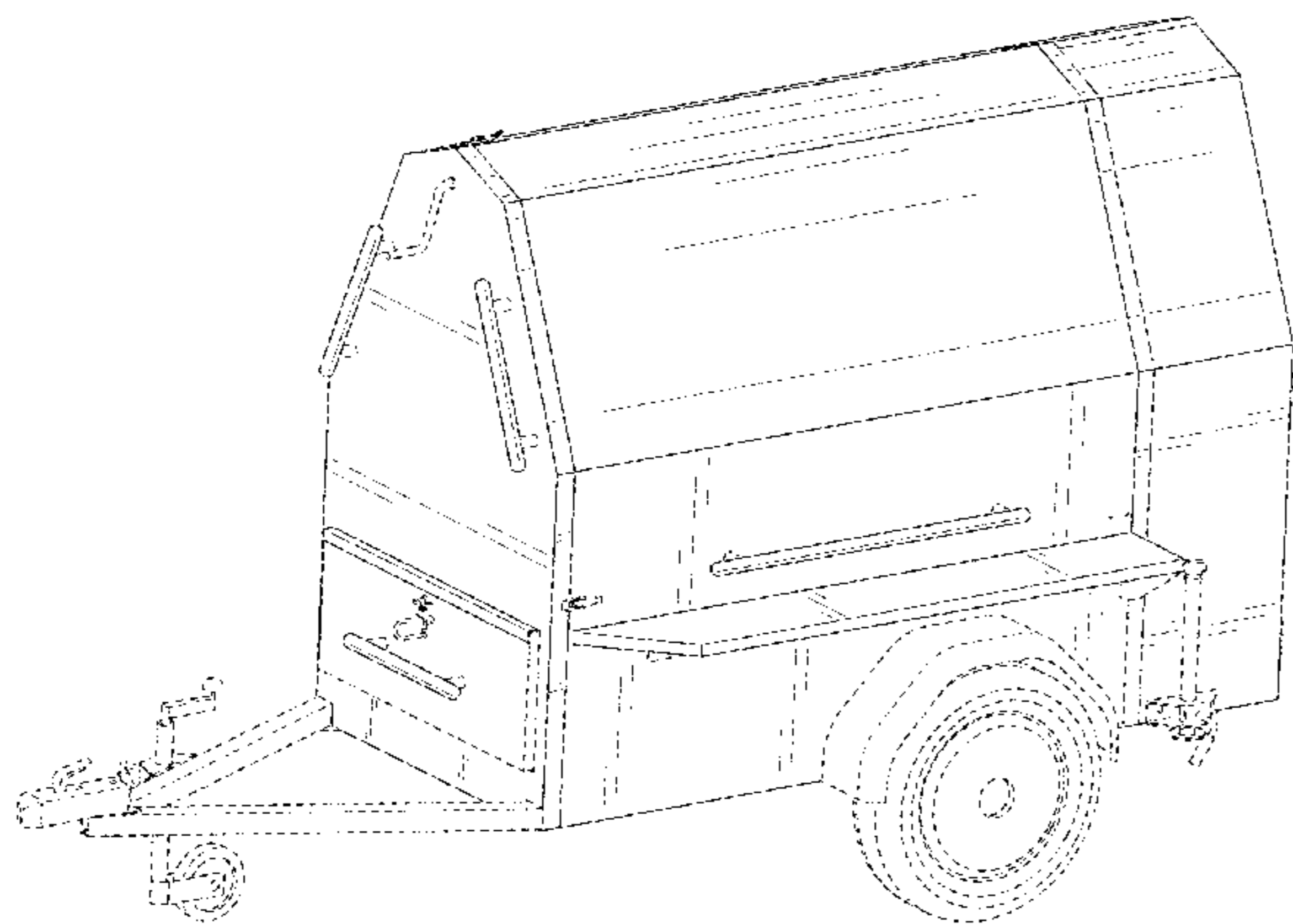
FIG. 7 is another front perspective view of the barbeque grill of FIG. 1, shown with its left side door in an open position; and,

FIG. 8 is a rear perspective view of the barbeque grill of FIG. 7.

Top and bottom views of the barbeque grill form no part of the claimed design.

The broken lines are included for the purpose of illustrating portions of the barbeque grill that form no part of the claimed design.

1 Claim, 8 Drawing Sheets



(56)

References Cited

U.S. PATENT DOCUMENTS

D251,230 S *	3/1979	Adams	D7/334	5,421,318 A	6/1995	Unruh et al.	
D253,695 S *	12/1979	Simmons	D7/334	5,481,964 A *	1/1996	Kitten	99/339
D255,863 S *	7/1980	Futch	D7/334	5,501,210 A *	3/1996	Van Hoogmoed	126/276
D265,374 S *	7/1982	Hamilton, Jr.	D7/334	D368,618 S	4/1996	Van Hoogmoed	
4,350,140 A *	9/1982	Hamilton, Jr.	126/276	5,988,158 A	11/1999	Schmidt, Jr.	
D282,519 S	2/1986	Sustana		D487,209 S *	3/2004	MacIntosh	D7/334
D284,256 S *	6/1986	Moncrief	D7/334	6,736,050 B1 *	5/2004	Monn	99/339
5,031,602 A *	7/1991	Vick	126/25 R	7,263,990 B1 *	9/2007	Lenhart	126/276
D325,317 S	4/1992	Ruth		7,878,186 B2 *	2/2011	Cusack	126/25 R
D325,490 S	4/1992	Dodgen		D643,671 S	8/2011	Kennedy	
5,158,066 A	10/1992	Dodgen		D646,121 S *	10/2011	Pickard	D7/402
D334,687 S *	4/1993	Gongwer	D7/334	2005/0133017 A1 *	6/2005	Scialdone et al.	126/25 R
5,255,664 A *	10/1993	Gurliacci	126/276	2008/0011285 A1	1/2008	Milligan et al.	
				2010/0258107 A1 *	10/2010	Davidson et al.	126/276
				2010/0263654 A1 *	10/2010	Cusack	126/25 R
				2012/0012096 A1 *	1/2012	Cusack	126/312

* cited by examiner

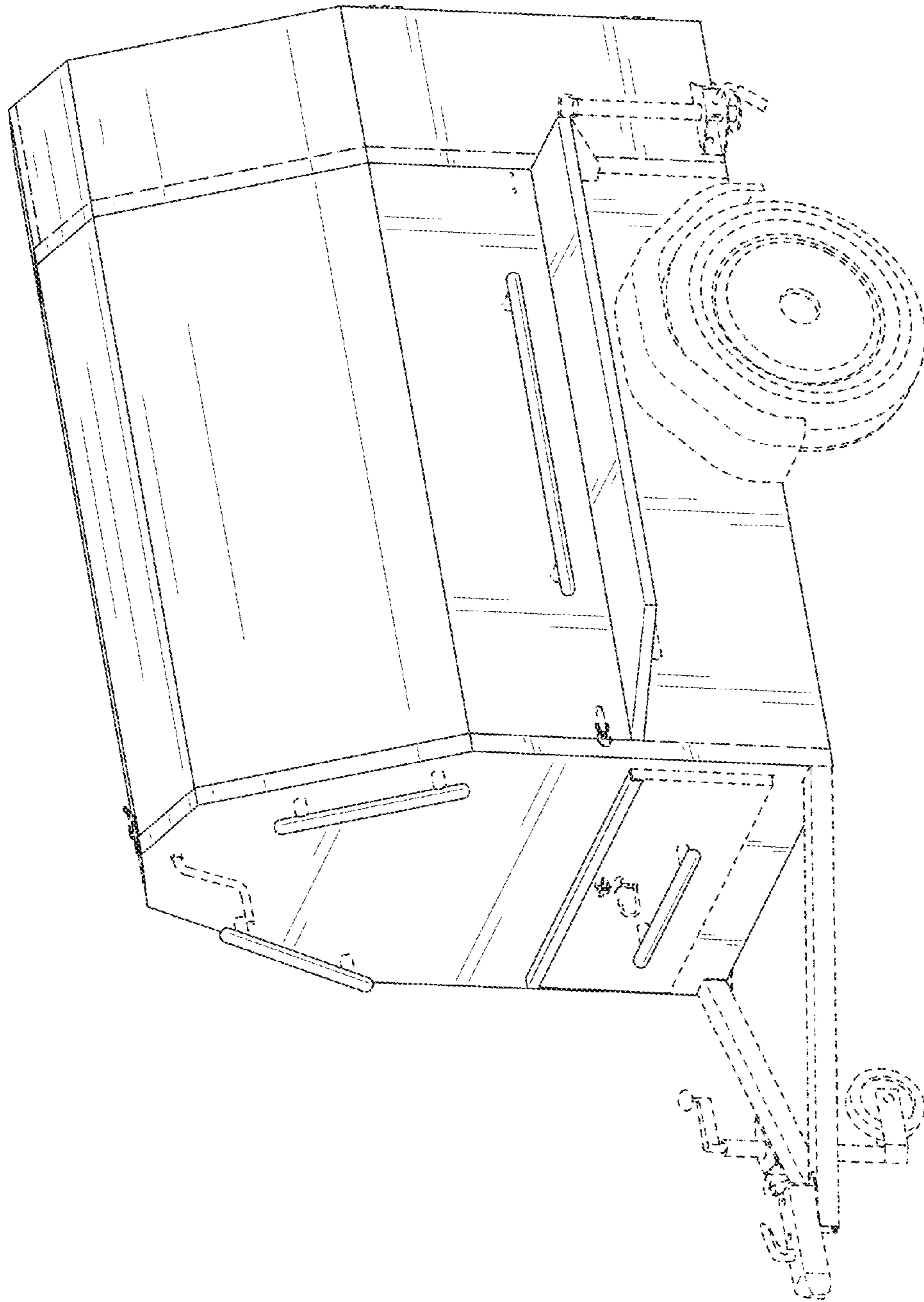


FIG. 1

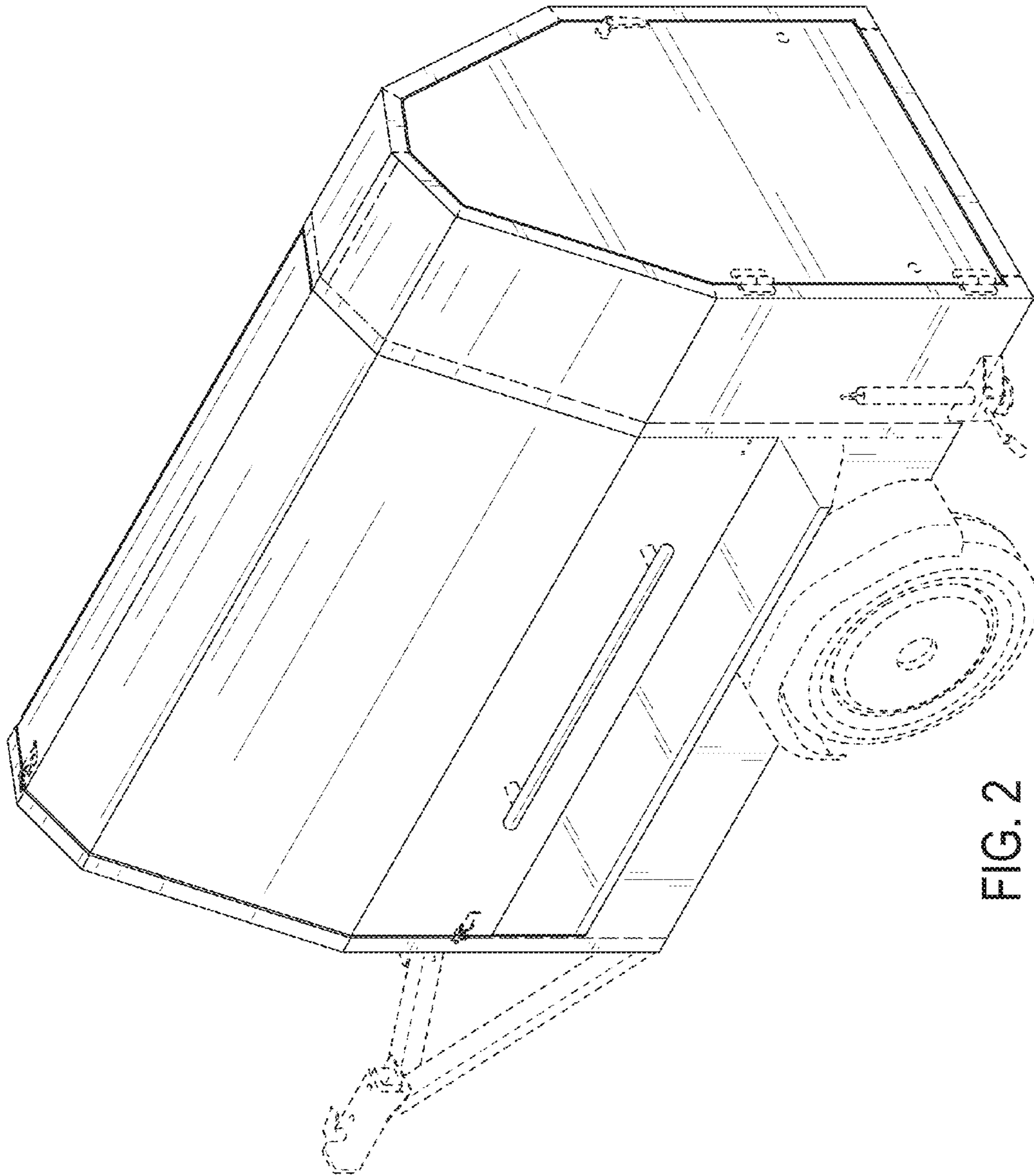


FIG. 2

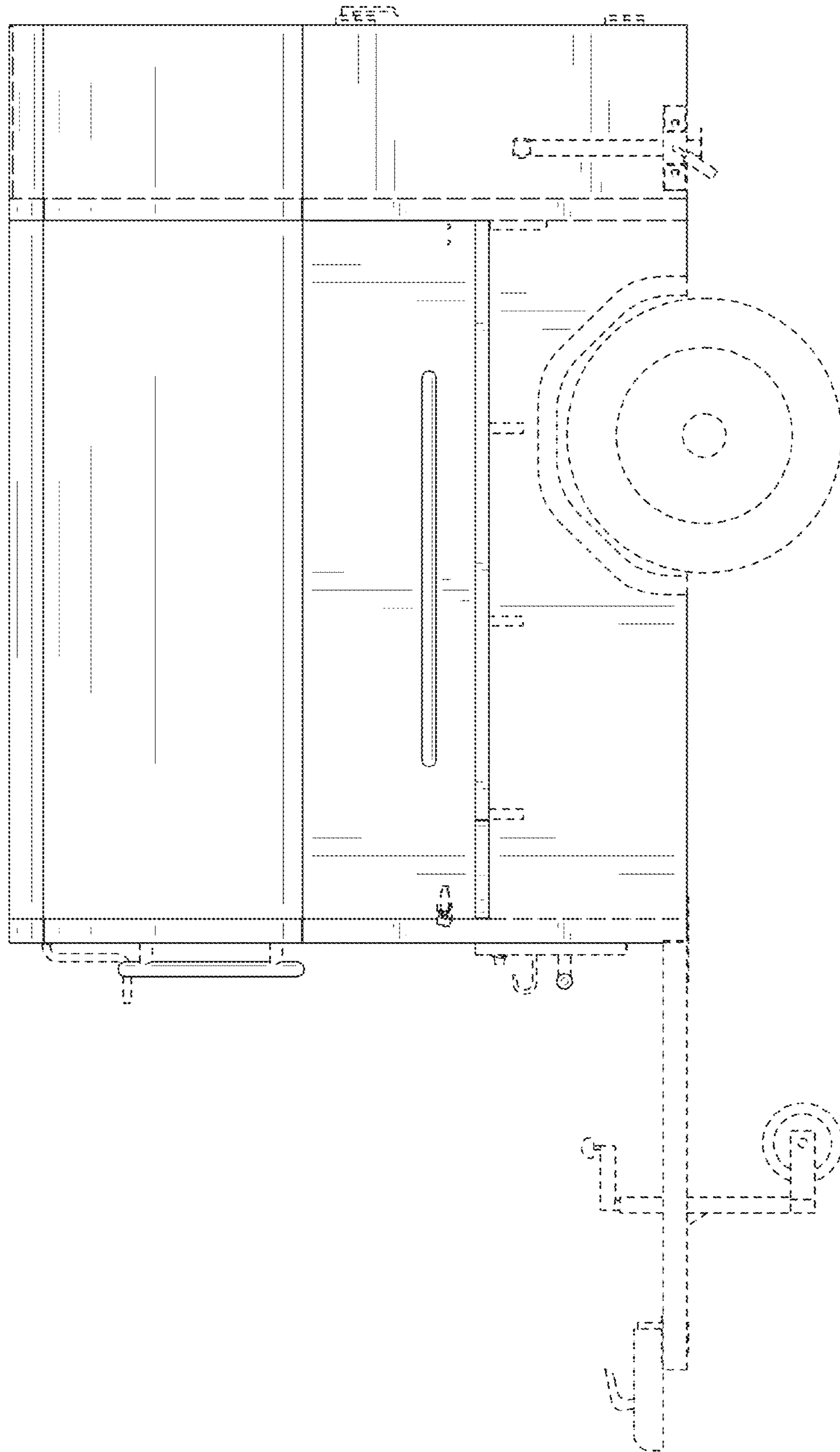
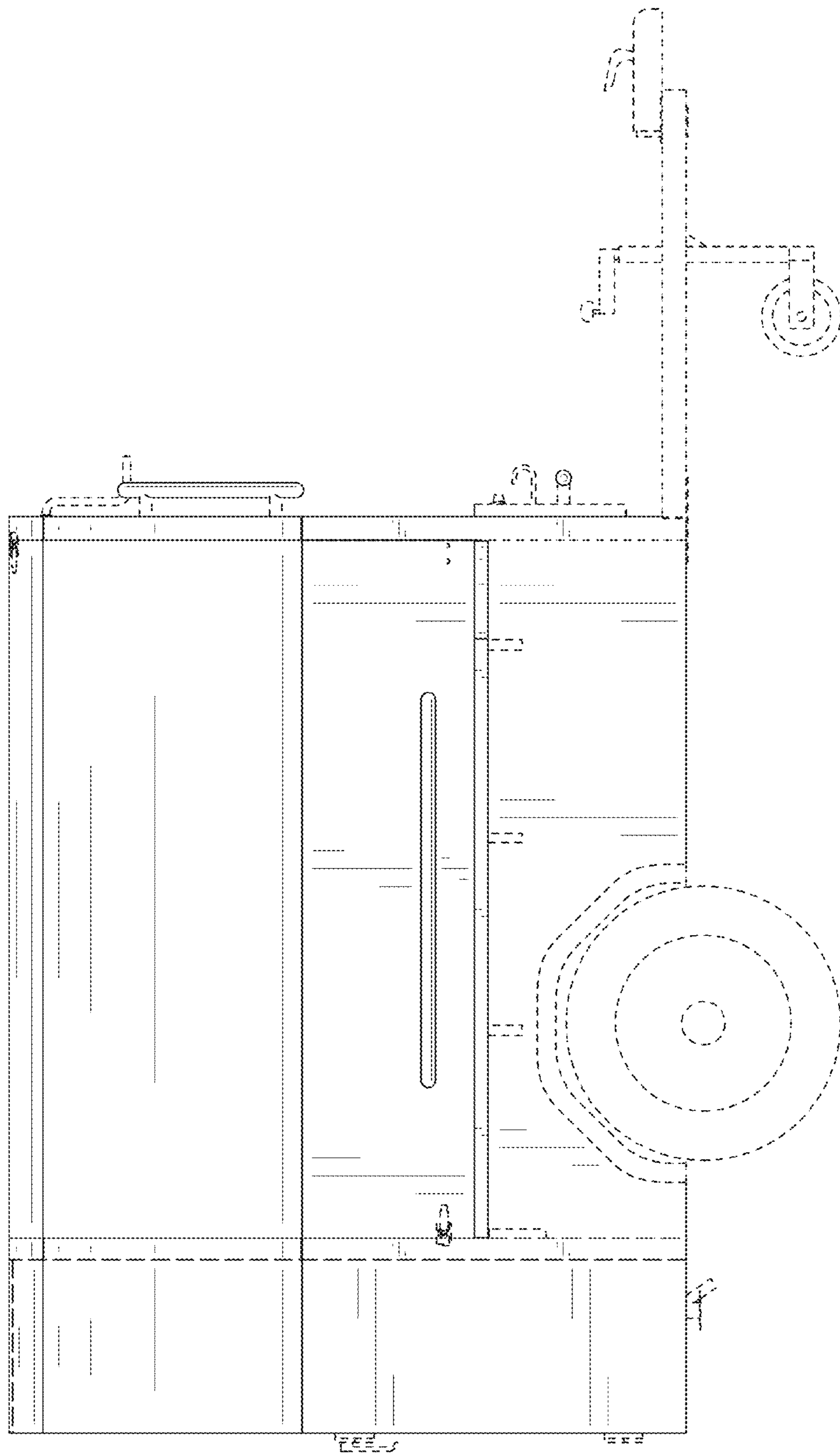


FIG. 3



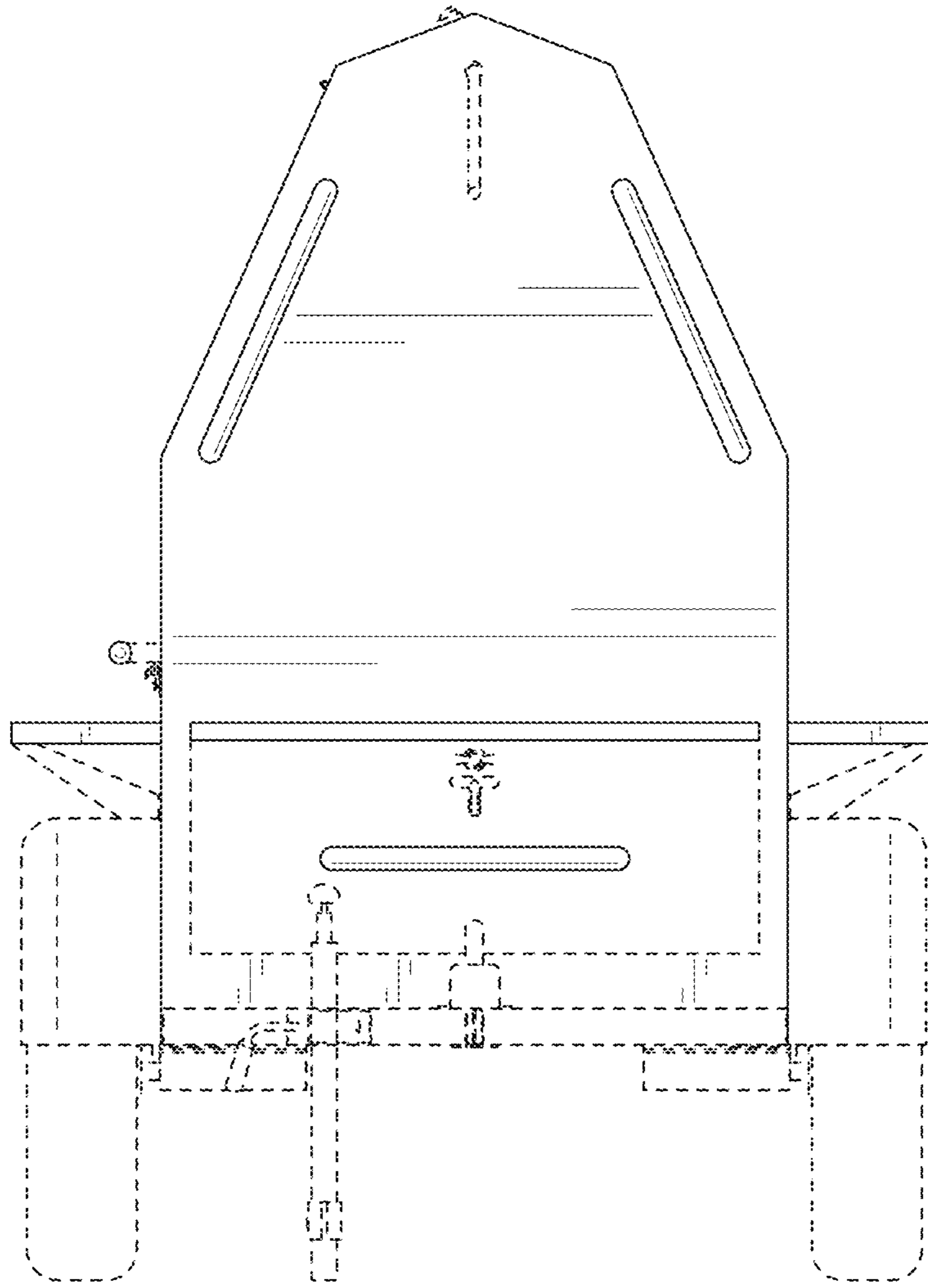


FIG. 5

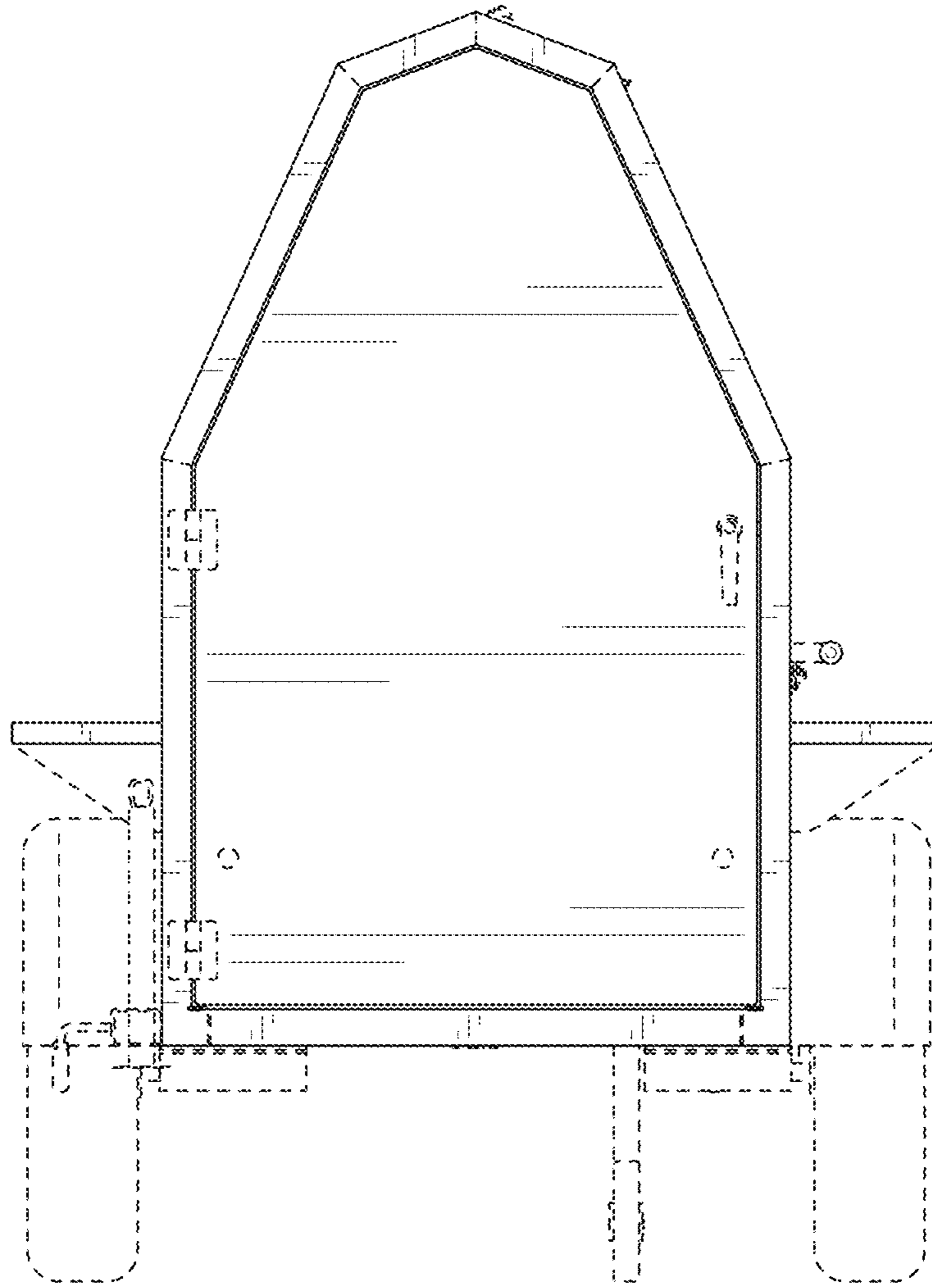


FIG. 6

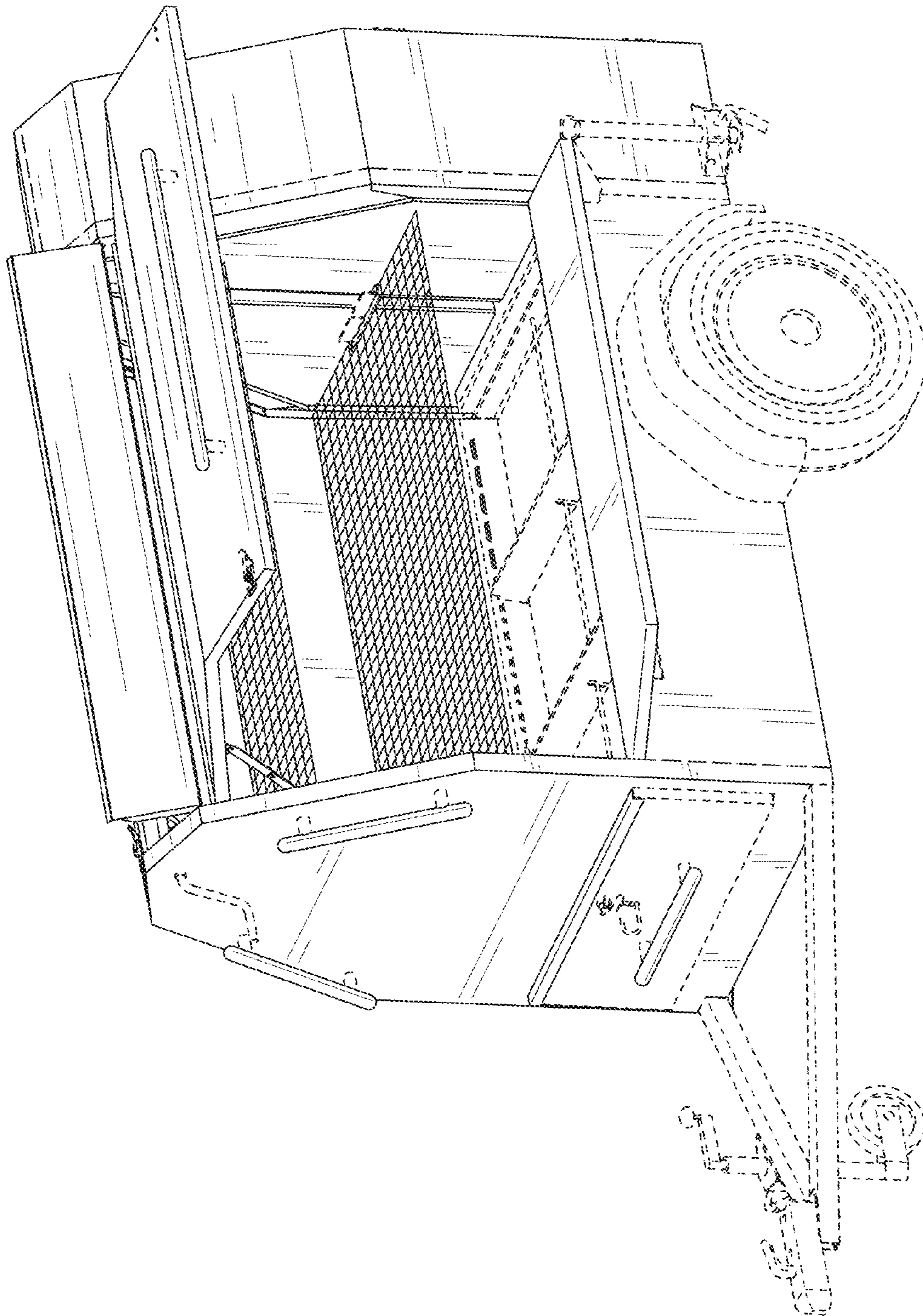


FIG. 7

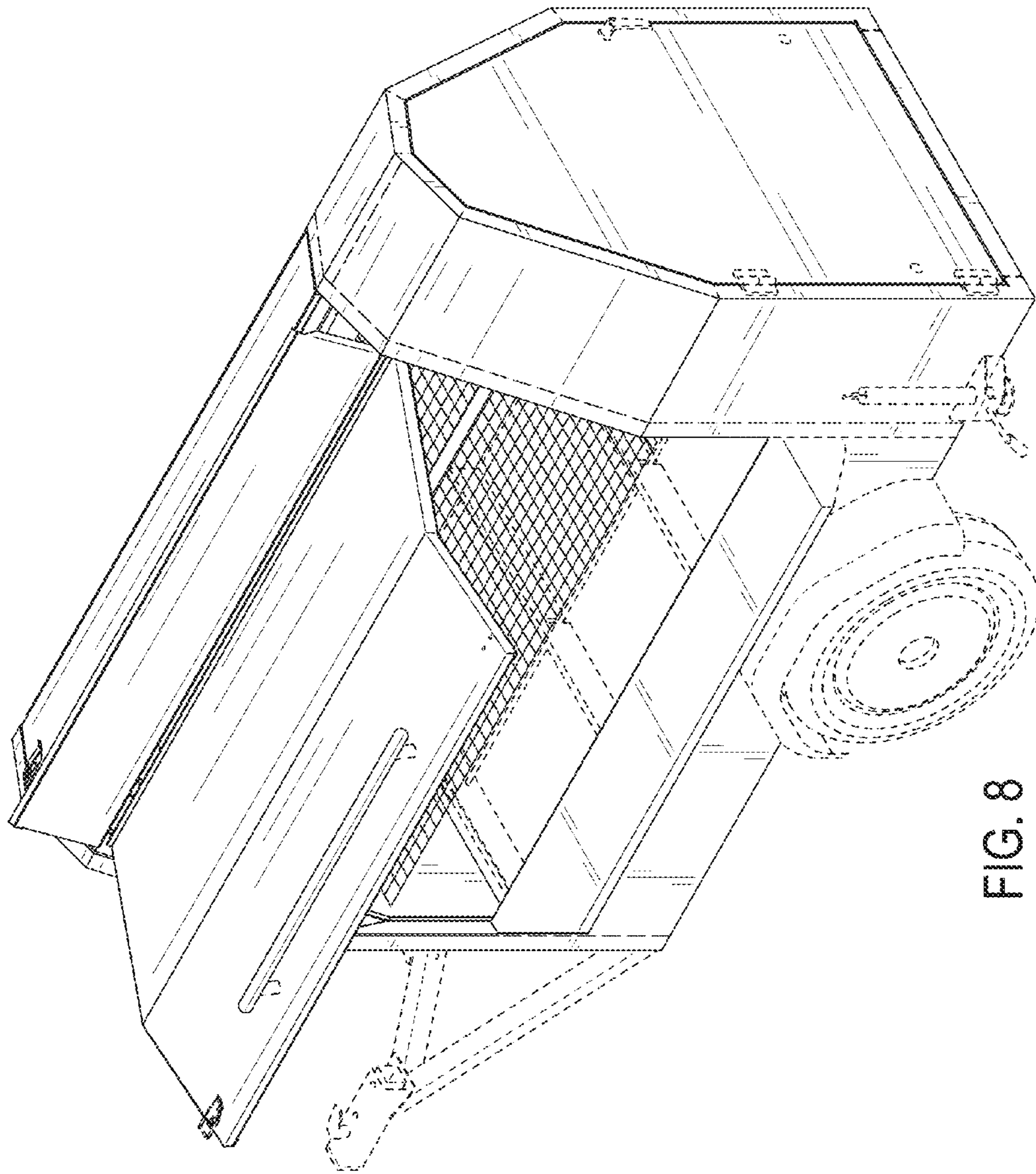


FIG. 8