



US00D730100S

(12) **United States Design Patent**
Kubryk

(10) **Patent No.:** **US D730,100 S**

(45) **Date of Patent:** **** May 26, 2015**

(54) **TASK CHAIR**

(71) Applicant: **Isaac Kubryk**, Lockerford, CA (US)

(72) Inventor: **Isaac Kubryk**, Lockerford, CA (US)

(73) Assignee: **Global Allies**, Lockeford, CA (US)

(**) Term: **14 Years**

(21) Appl. No.: **29/503,956**

(22) Filed: **Sep. 30, 2014**

(51) **LOC (10) Cl.** **06-01**

(52) **U.S. Cl.**
USPC **D6/716**

(58) **Field of Classification Search**

CPC A47C 3/00; A47C 4/02; A47C 4/03;
A47C 7/18; A47C 4/028

USPC D6/334-336, 364, 365, 366, 374, 375,
D6/716, 716.1, 716.2, 716.3, 716.4

See application file for complete search history.

(56) **References Cited**

U.S. PATENT DOCUMENTS

D178,888 S * 10/1956 Keal D6/334
3,142,514 A * 7/1964 Ginat A47C 3/00
D207,840 S * 6/1967 Rodrigo D6/375

D358,514 S * 5/1995 Lovegrove D6/716
D442,378 S * 5/2001 Arad D6/366
D562,019 S * 2/2008 Lievore D6/366
D585,655 S * 2/2009 Pearson et al. D6/366
D609,037 S * 2/2010 Miller et al. D6/716
D648,553 S * 11/2011 Wilson et al. D6/366
D657,583 S * 4/2012 Wilson et al. D6/366
D683,171 S * 5/2013 Kubryk D6/716

* cited by examiner

Primary Examiner — Mimoso De

(74) *Attorney, Agent, or Firm* — Audrey A. Millemann;
Weintraub Tobin

(57) **CLAIM**

The ornamental design for a task chair, as shown and described.

DESCRIPTION

FIG. 1 is a perspective view of a task chair, looking toward the right front corner, showing my new design;

FIG. 2 is a front view thereof;

FIG. 3 is a right side view thereof;

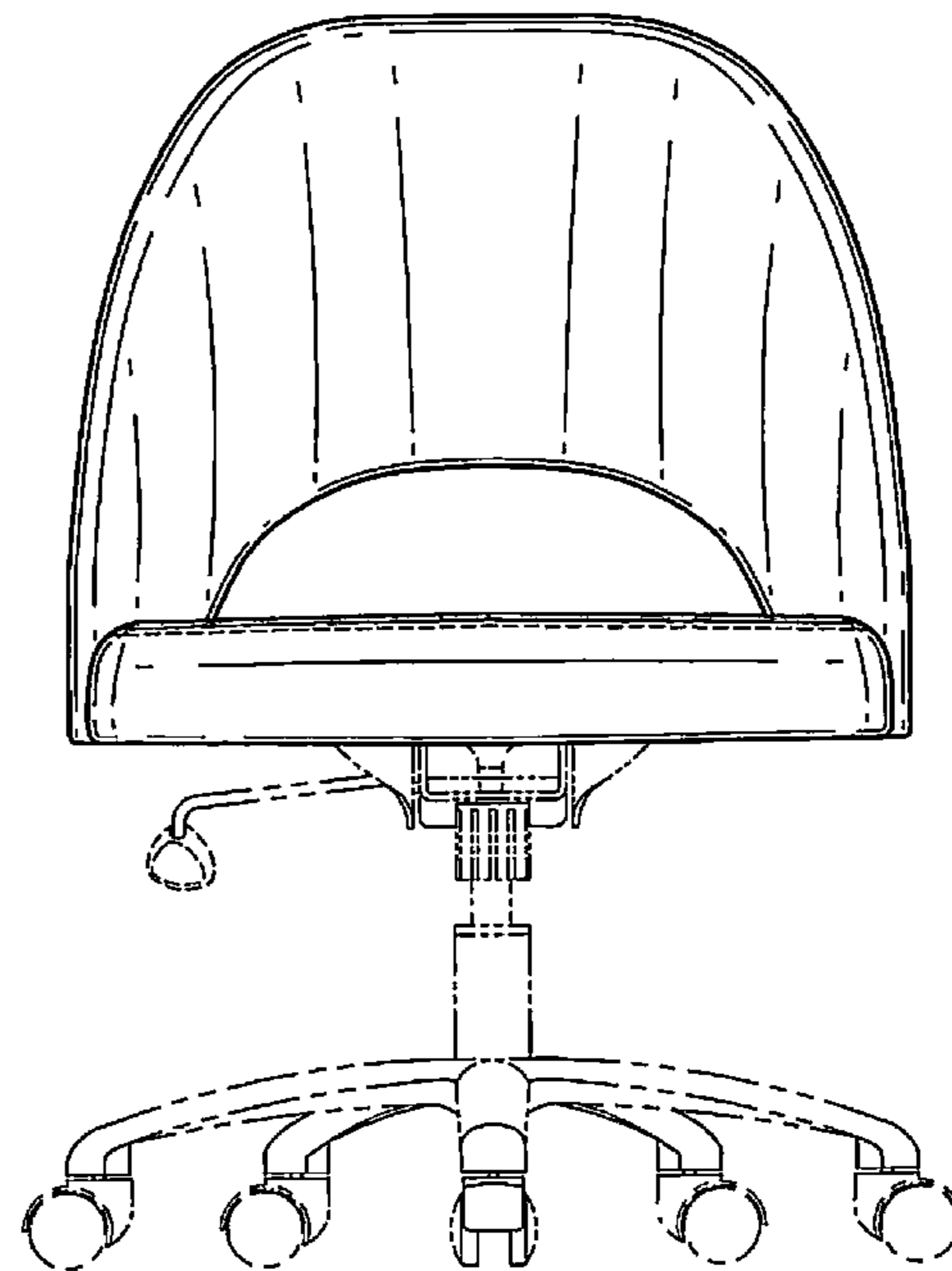
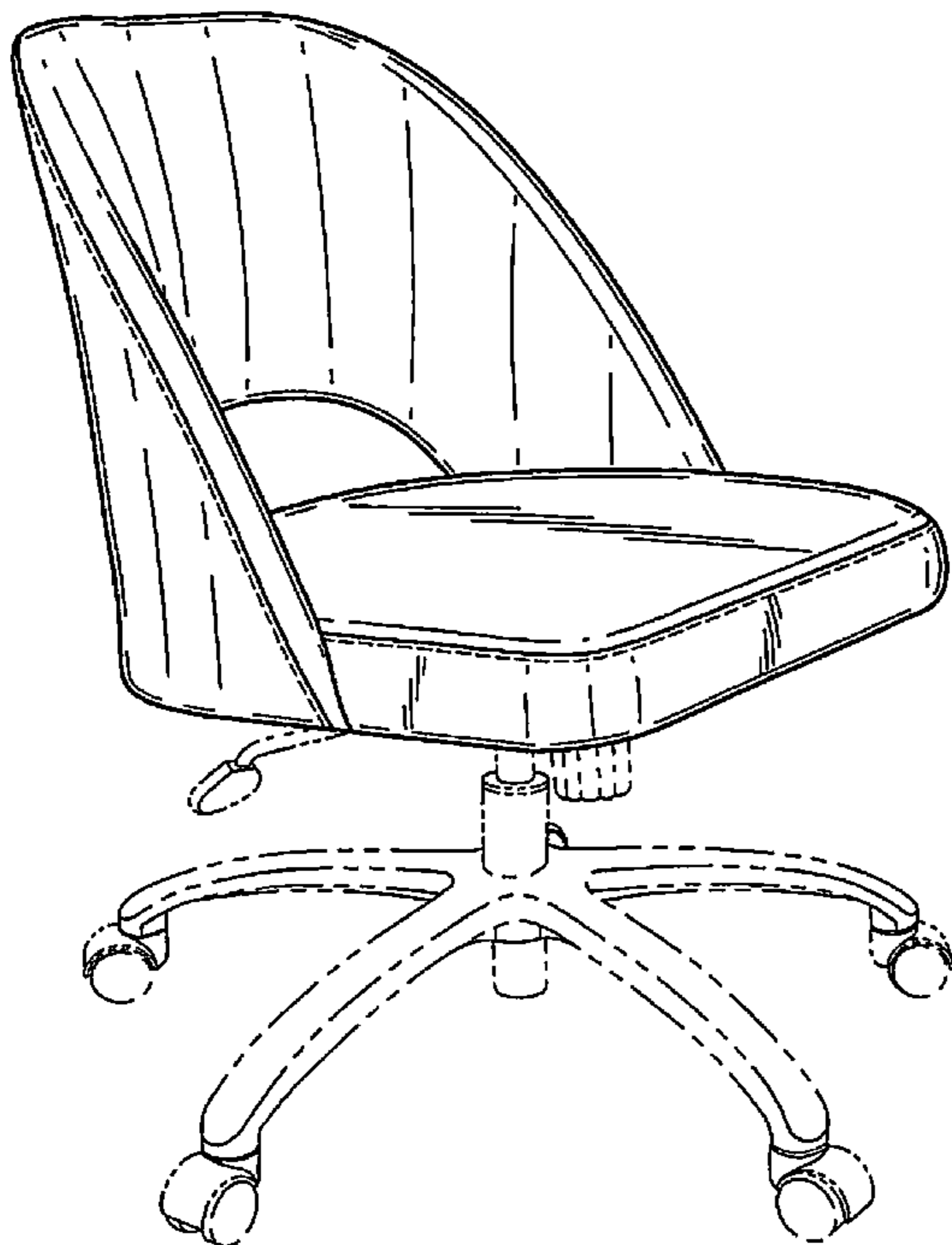
FIG. 4 is a back view thereof;

FIG. 5 is a top view thereof; and,

FIG. 6 is a bottom view thereof.

The broken lines shown in the drawing are for illustrative purposes only and form no part of the claimed design.

1 Claim, 5 Drawing Sheets



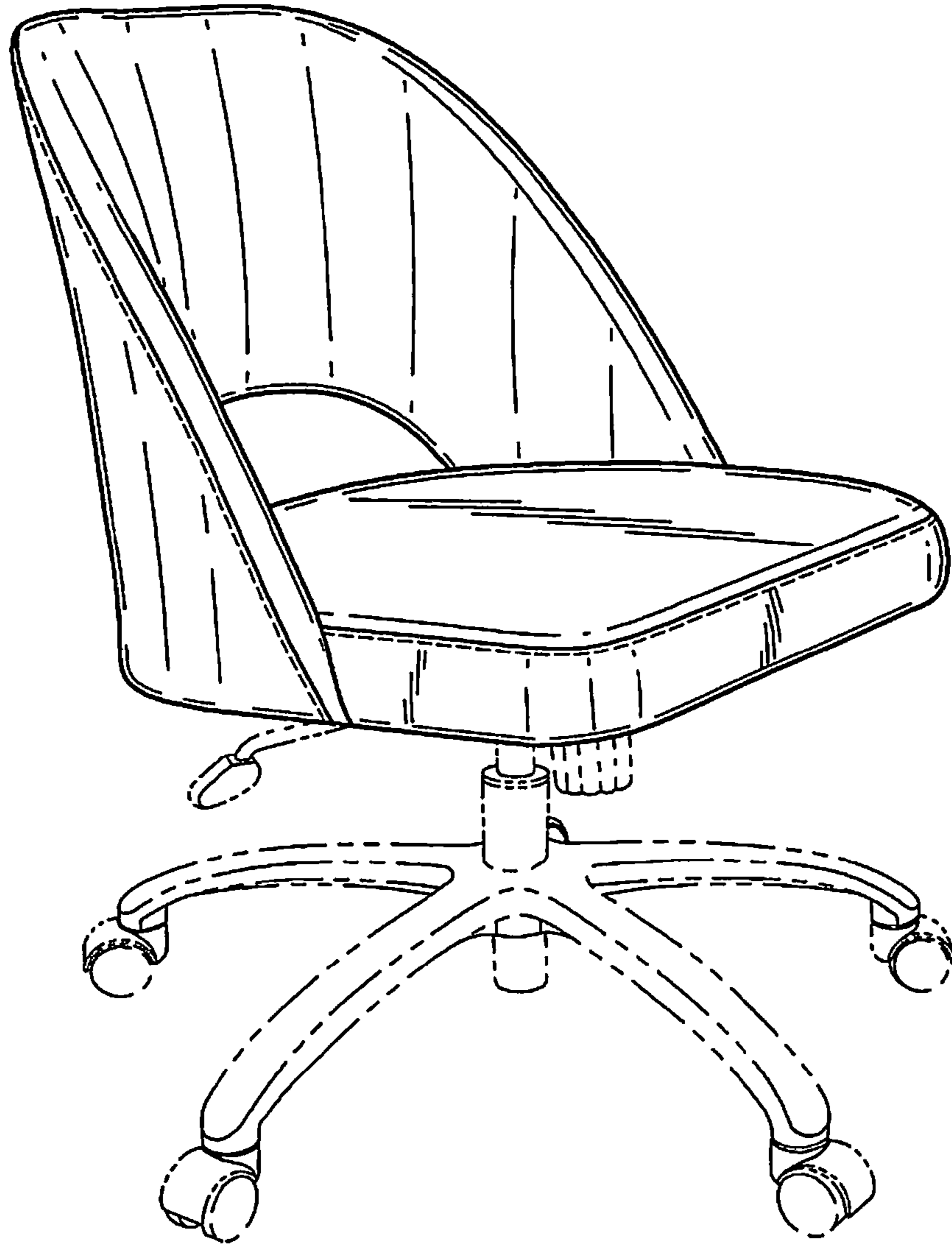


FIG. 1

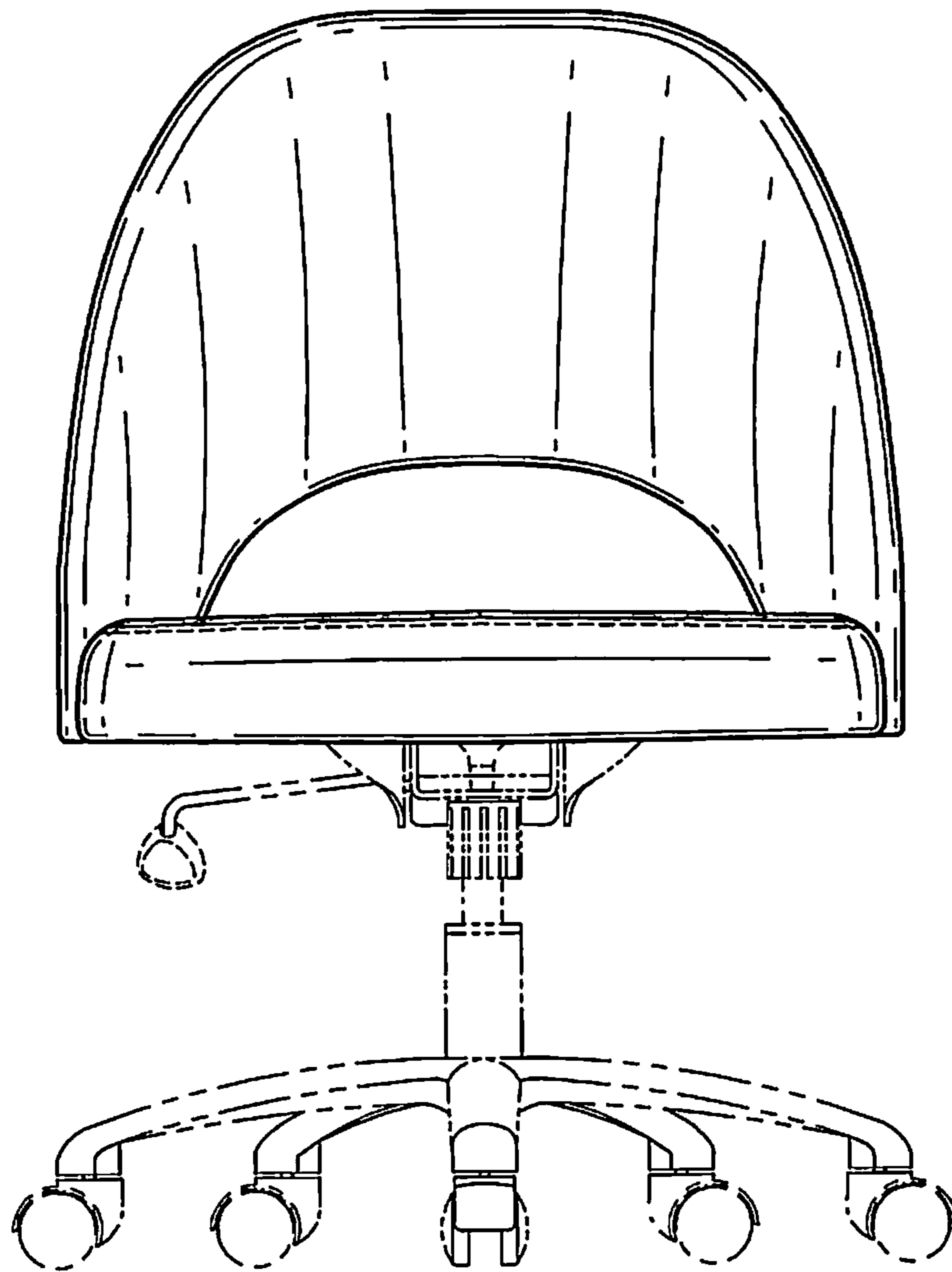


FIG. 2

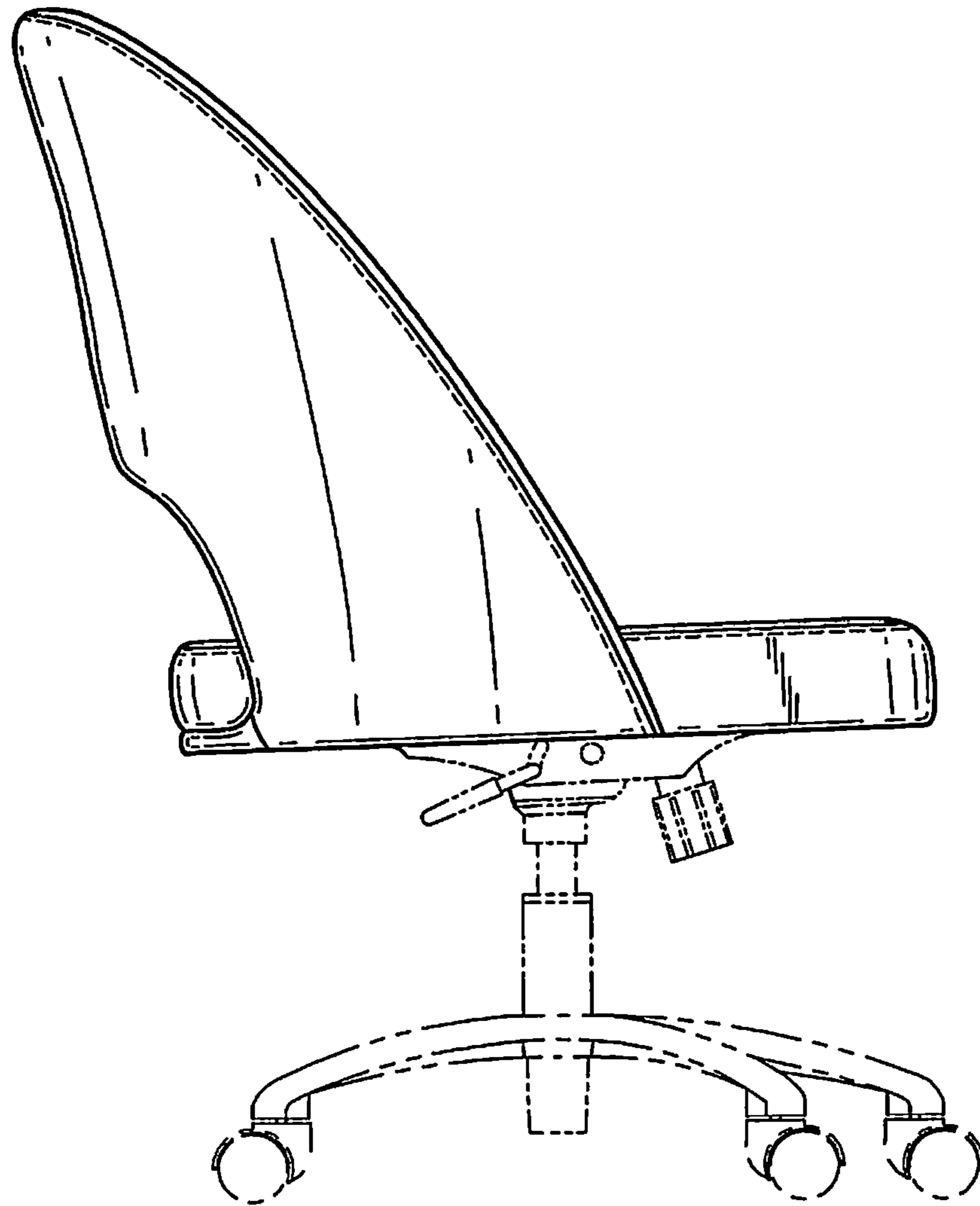


FIG. 3

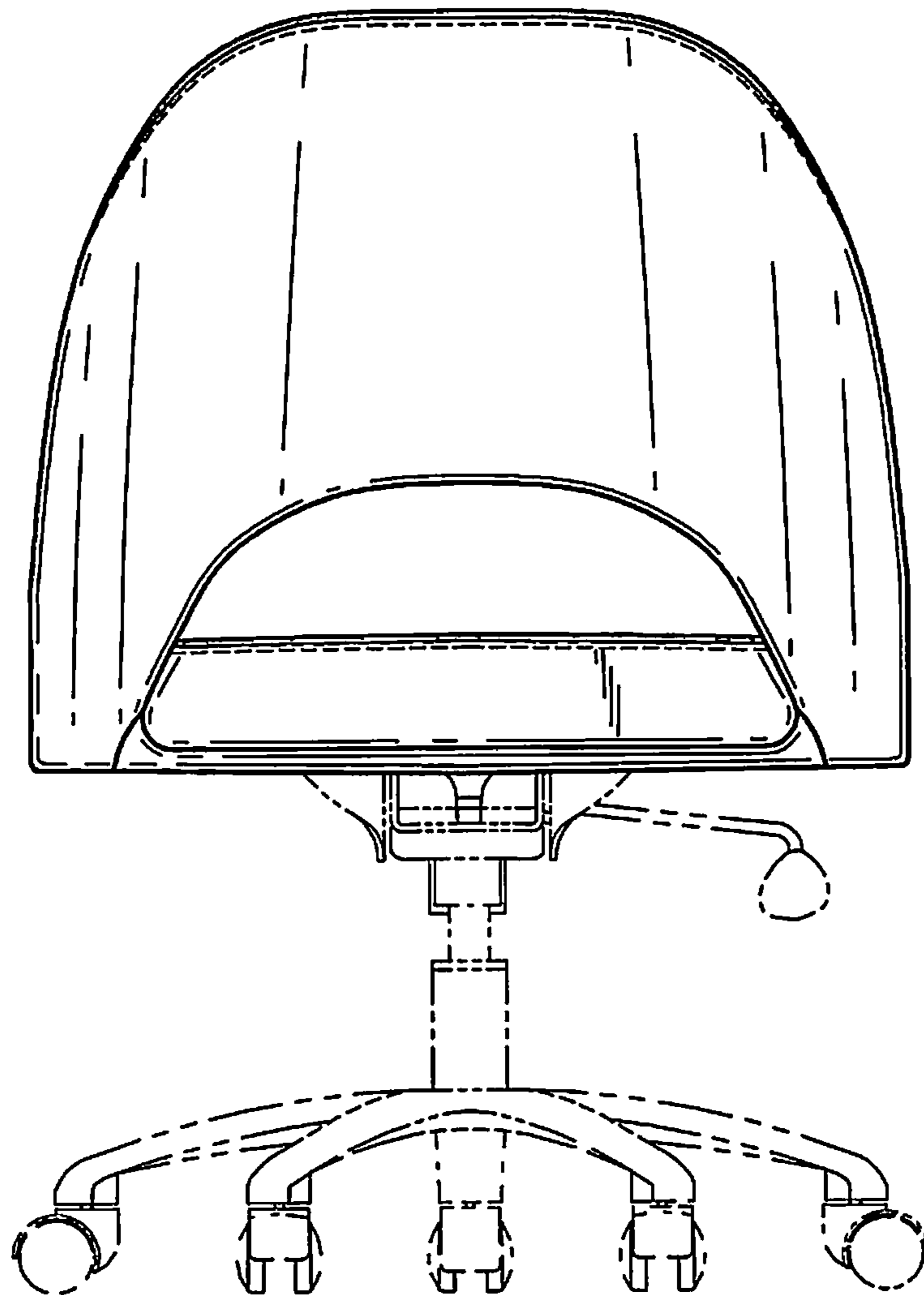


FIG. 4

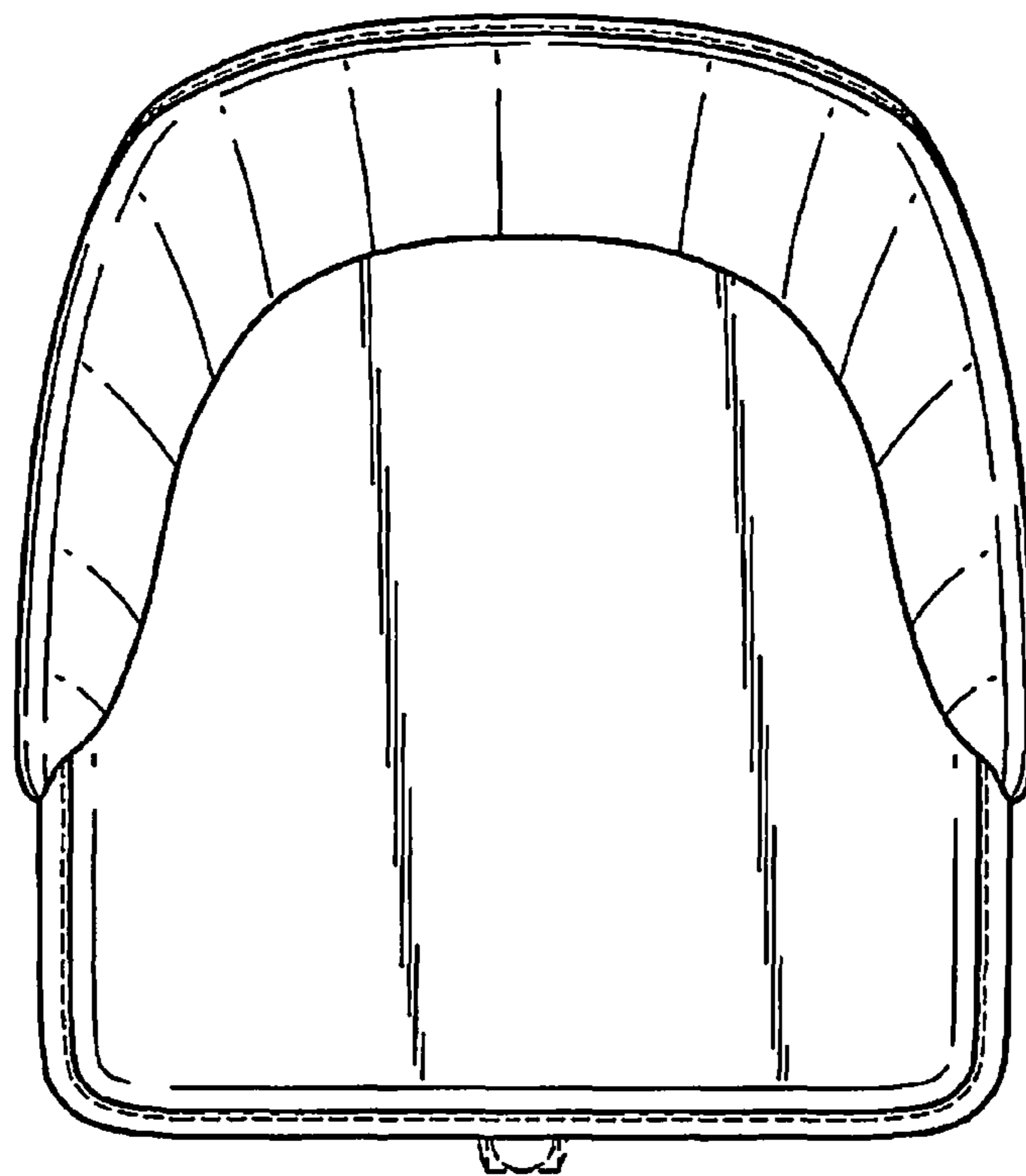


FIG. 5

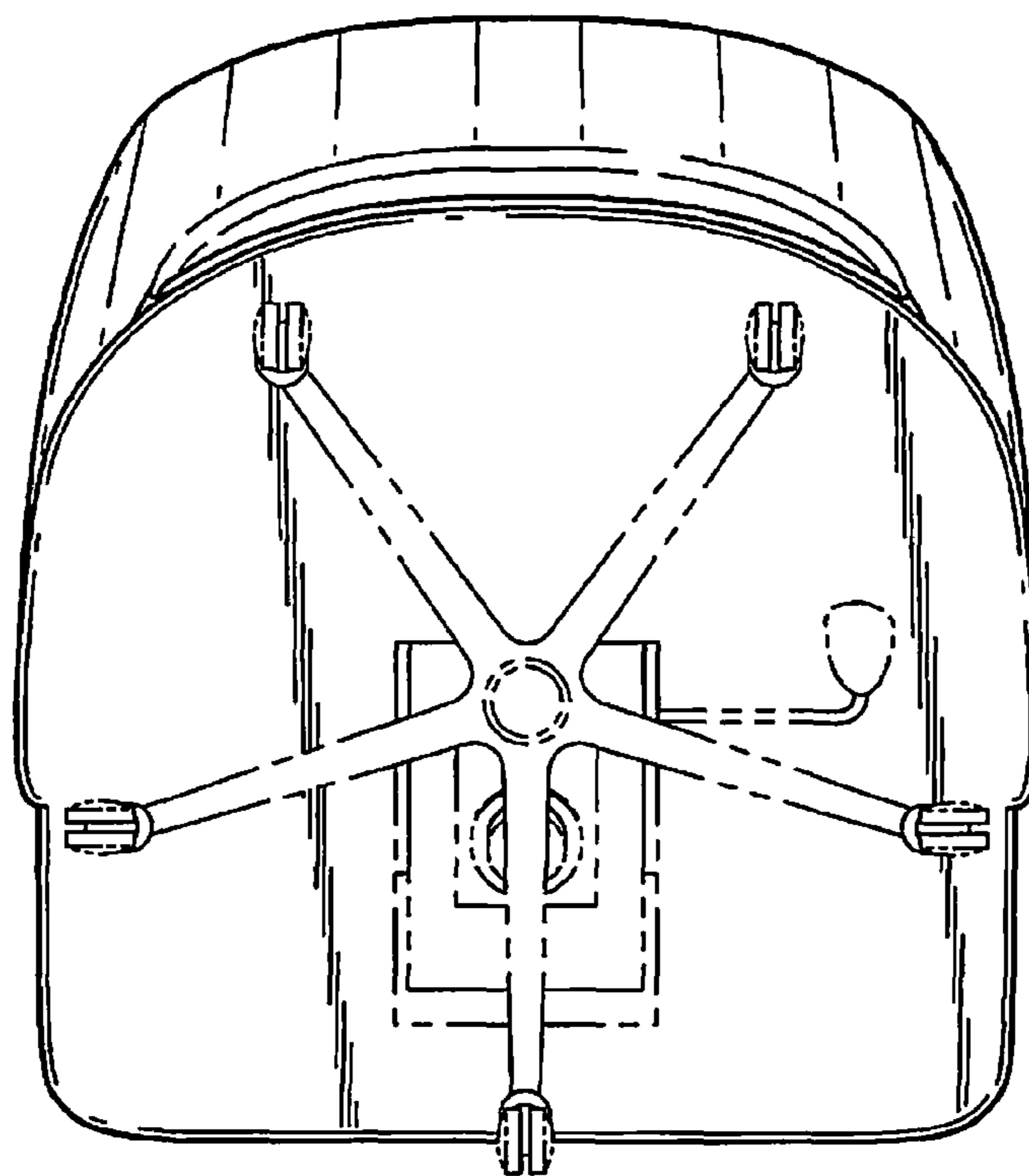


FIG. 6