



US00D730099S

(12) **United States Design Patent**  
**Kubryk**

(10) **Patent No.:** **US D730,099 S**

(45) **Date of Patent:** **\*\* May 26, 2015**

(54) **TASK CHAIR**

(71) Applicant: **Isaac Kubryk**, Lockeford, CA (US)

(72) Inventor: **Isaac Kubryk**, Lockeford, CA (US)

(73) Assignee: **Global Allies**, Lockeford, CA (US)

(\*\*) Term: **14 Years**

(21) Appl. No.: **29/503,955**

(22) Filed: **Sep. 30, 2014**

(51) **LOC (10) Cl.** ..... **06-01**

(52) **U.S. Cl.**  
USPC ..... **D6/716**

(58) **Field of Classification Search**

CPC ..... A47C 4/02; A47C 4/03; A47C 7/18;  
A47C 3/12; A47C 5/12; A47C 7/54  
USPC ..... D6/334-336, 364, 365, 366, 371-375,  
D6/379, 380, 716, 716.1, 716.2, 716.4

See application file for complete search history.

(56) **References Cited**

**U.S. PATENT DOCUMENTS**

D281,840 S \* 12/1985 Ogg ..... D6/366  
D297,986 S \* 10/1988 Jenkins ..... D6/366  
D300,483 S \* 4/1989 Jenkins ..... D6/366

D330,810 S \* 11/1992 Stafford ..... D6/366  
D402,480 S \* 12/1998 Stafford ..... D6/366  
D403,519 S \* 1/1999 Stafford ..... D6/366  
D460,885 S \* 7/2002 Silva ..... D6/716  
D546,595 S \* 7/2007 Hutton ..... D6/716  
D603,177 S \* 11/2009 Kubryk ..... D6/366  
D648,158 S \* 11/2011 Kubryk ..... D6/716  
D654,732 S \* 2/2012 Kubryk ..... D6/716

\* cited by examiner

*Primary Examiner* — Mimoso De

(74) *Attorney, Agent, or Firm* — Audrey A. Millemann;  
Weintraub Tobin

(57) **CLAIM**

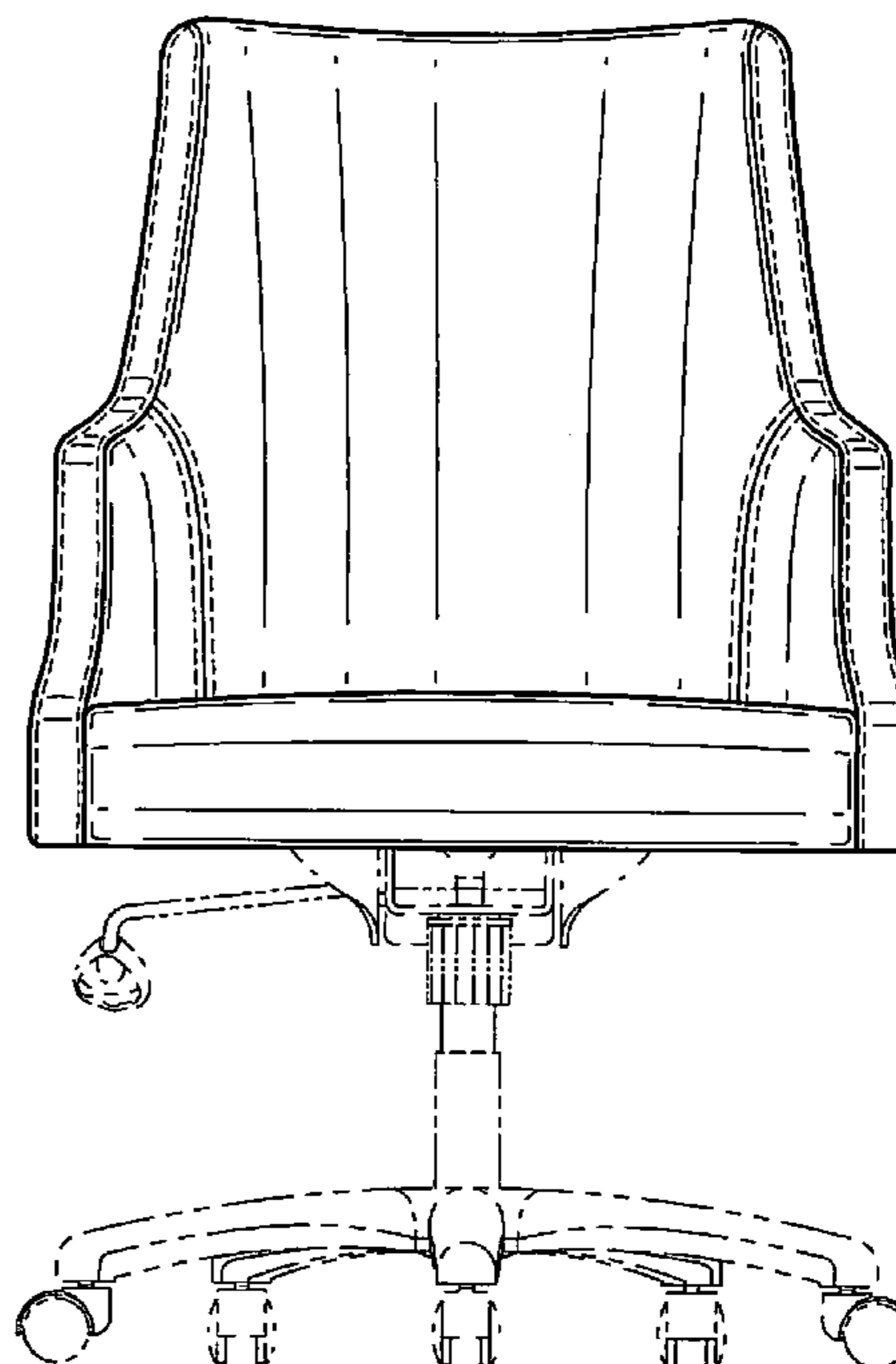
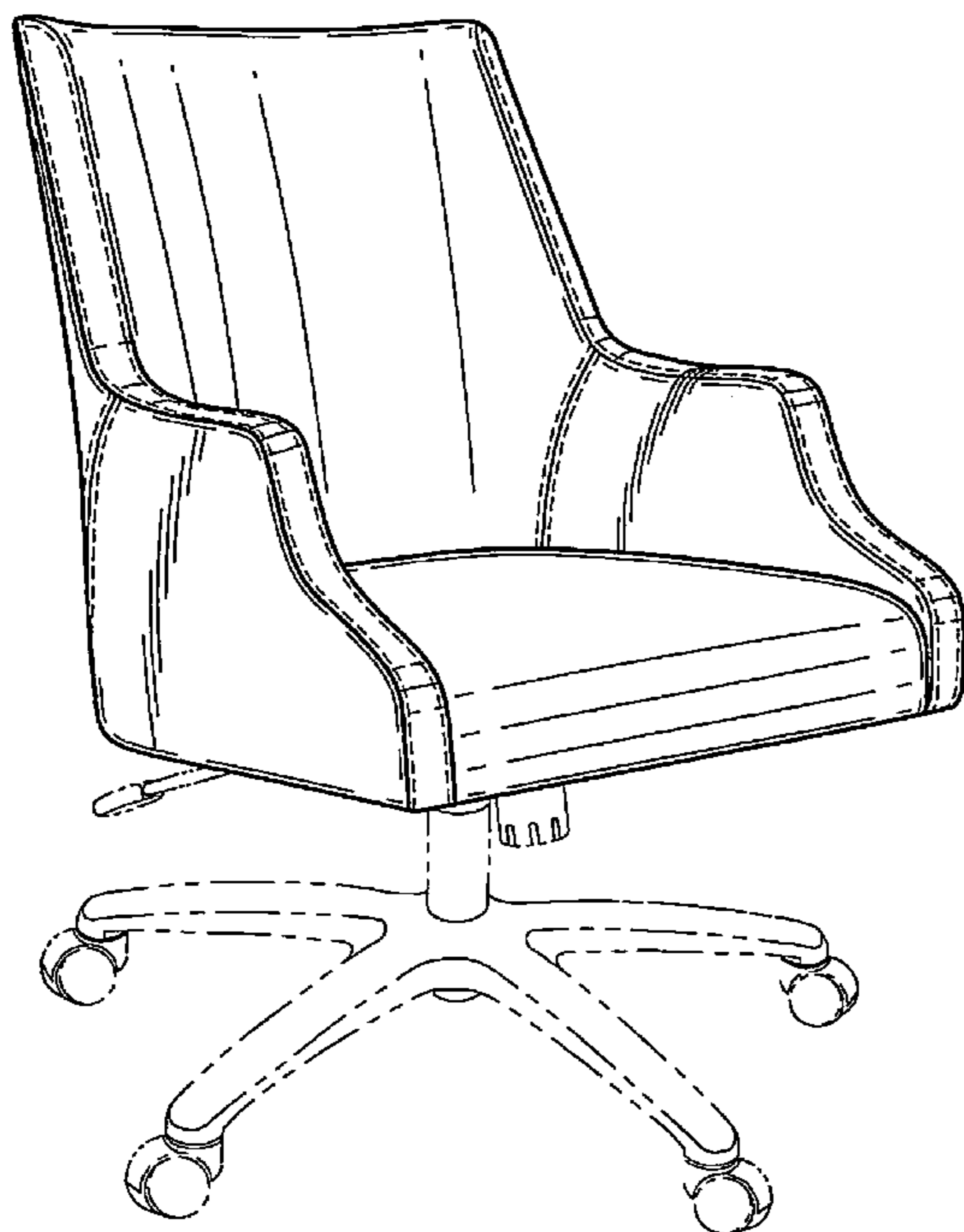
The ornamental design for a task chair, as shown and described.

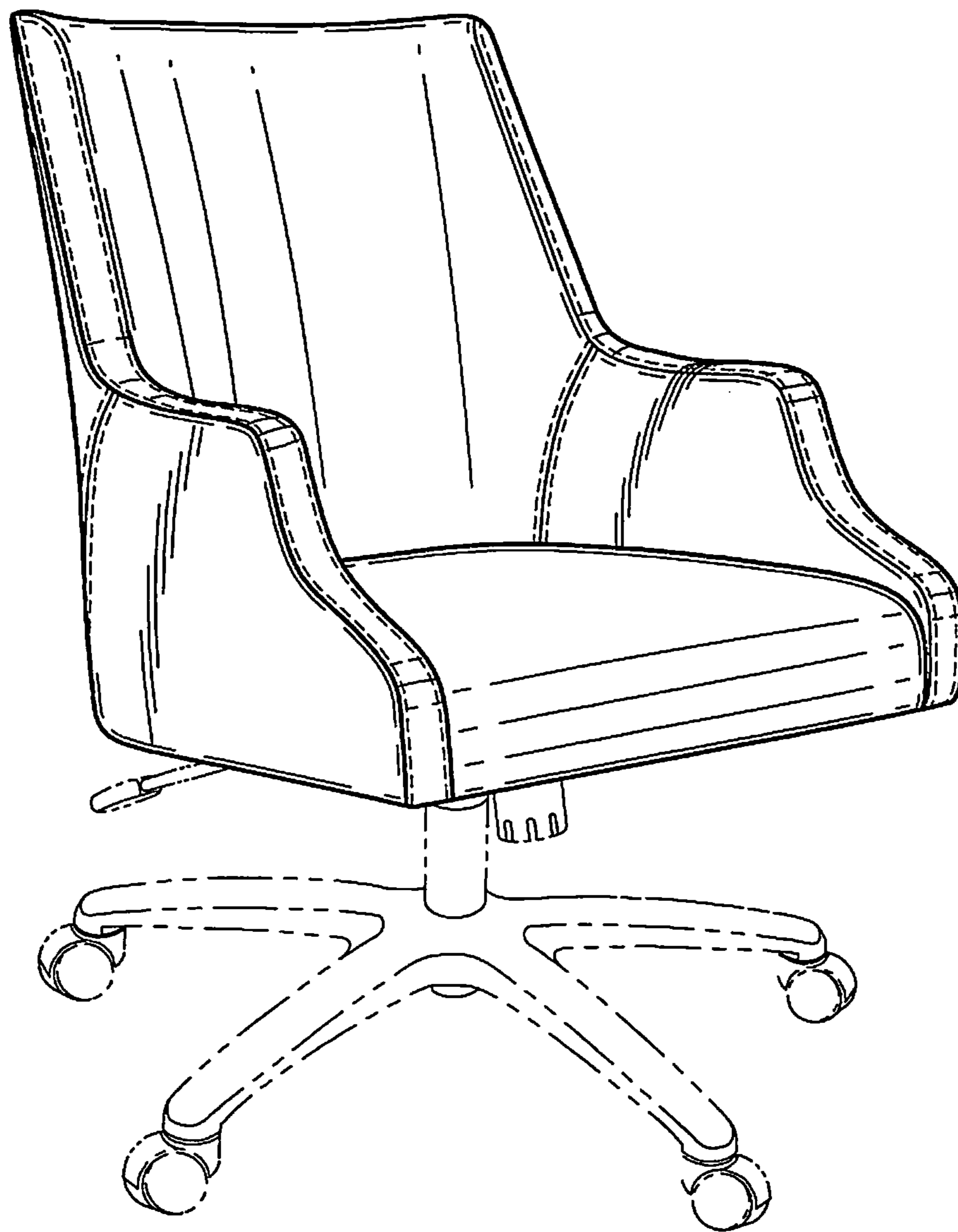
**DESCRIPTION**

FIG. 1 is a perspective view of a task chair, looking toward the right front corner, showing my new design;  
FIG. 2 is a front view thereof;  
FIG. 3 is a back view thereof;  
FIG. 4 is a right side view thereof;  
FIG. 5 is a top view thereof; and,  
FIG. 6 is a bottom view thereof.

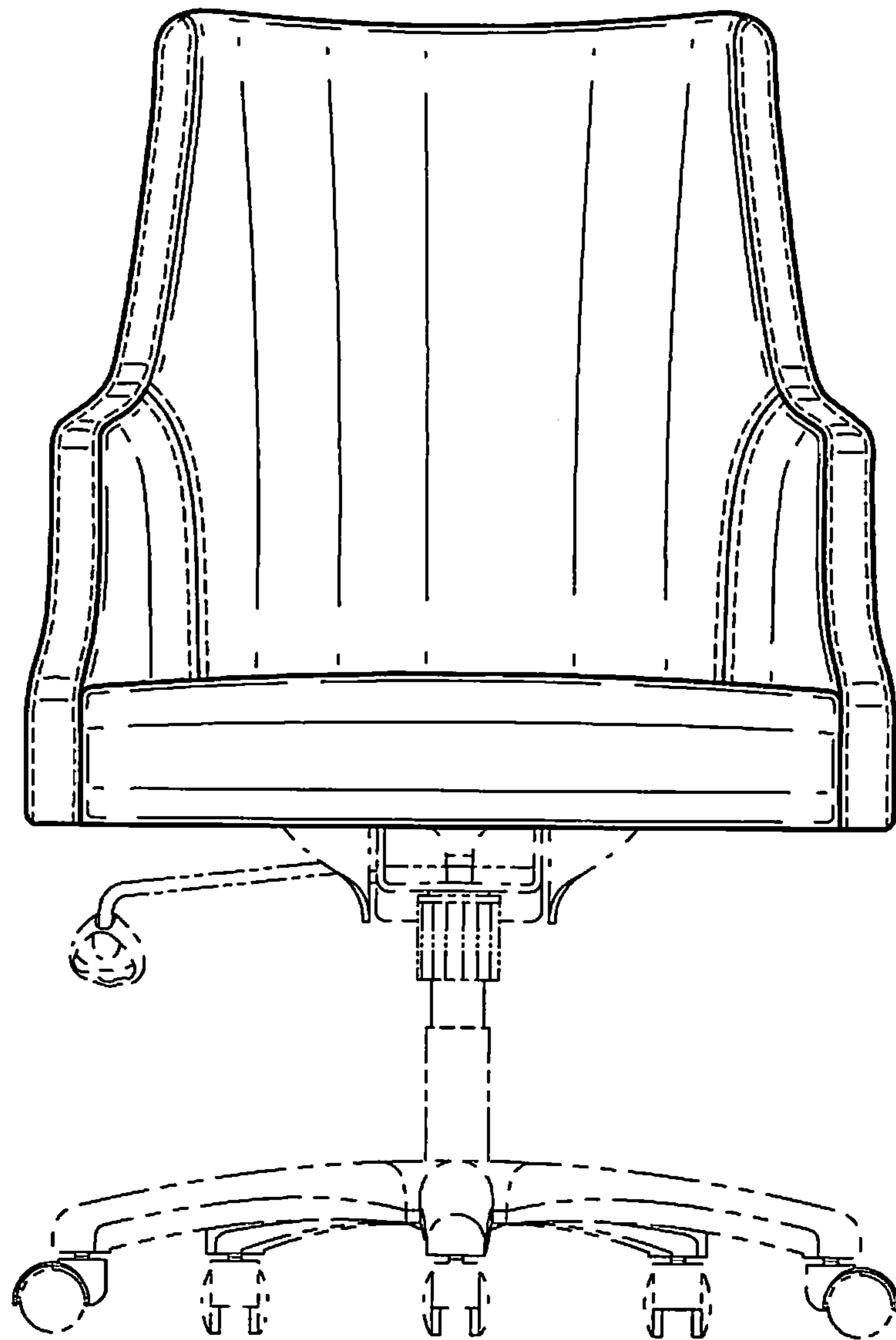
The broken lines shown in the drawing are for illustrative purposes only and form no part of the claimed design.

**1 Claim, 5 Drawing Sheets**

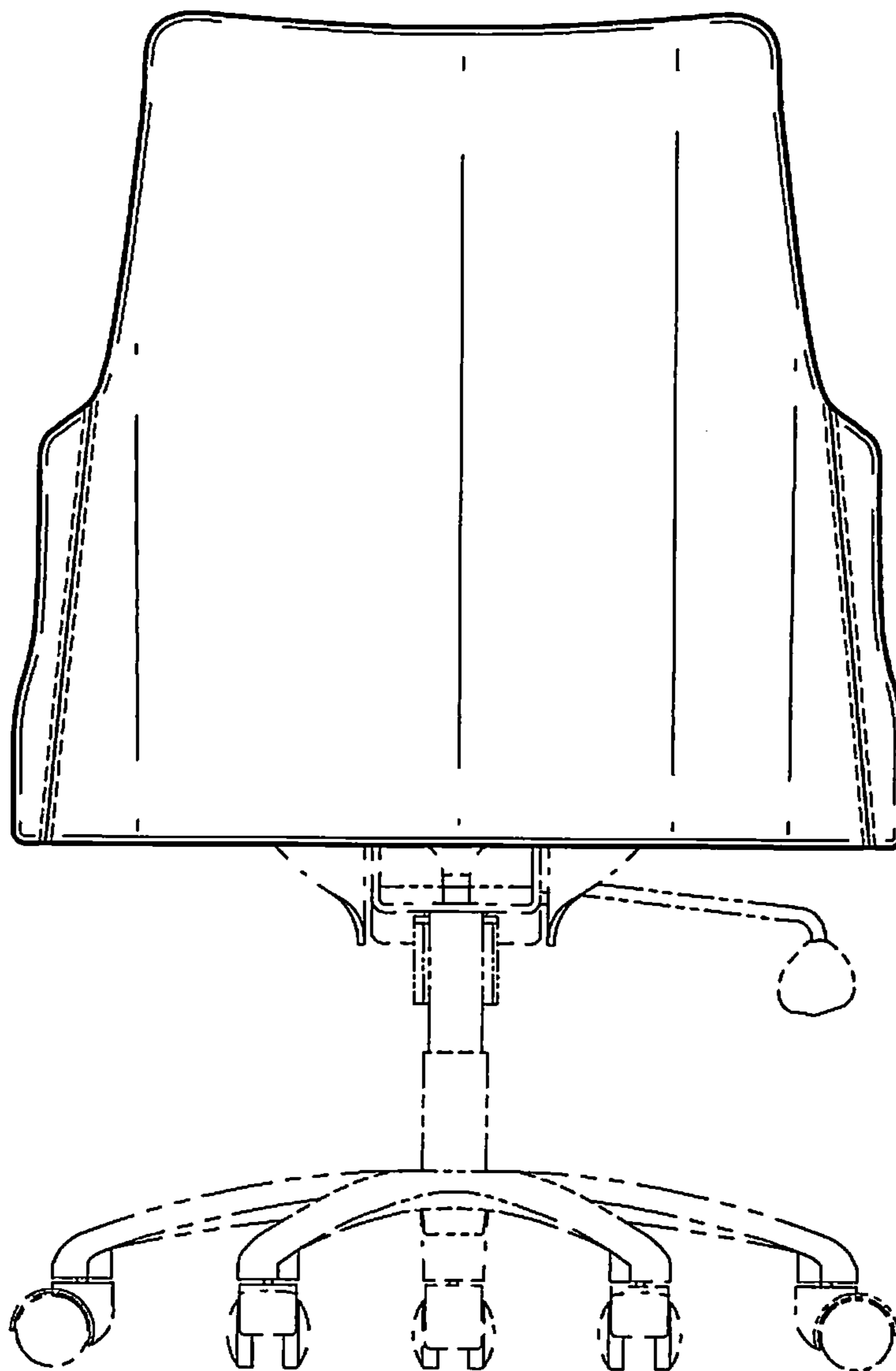




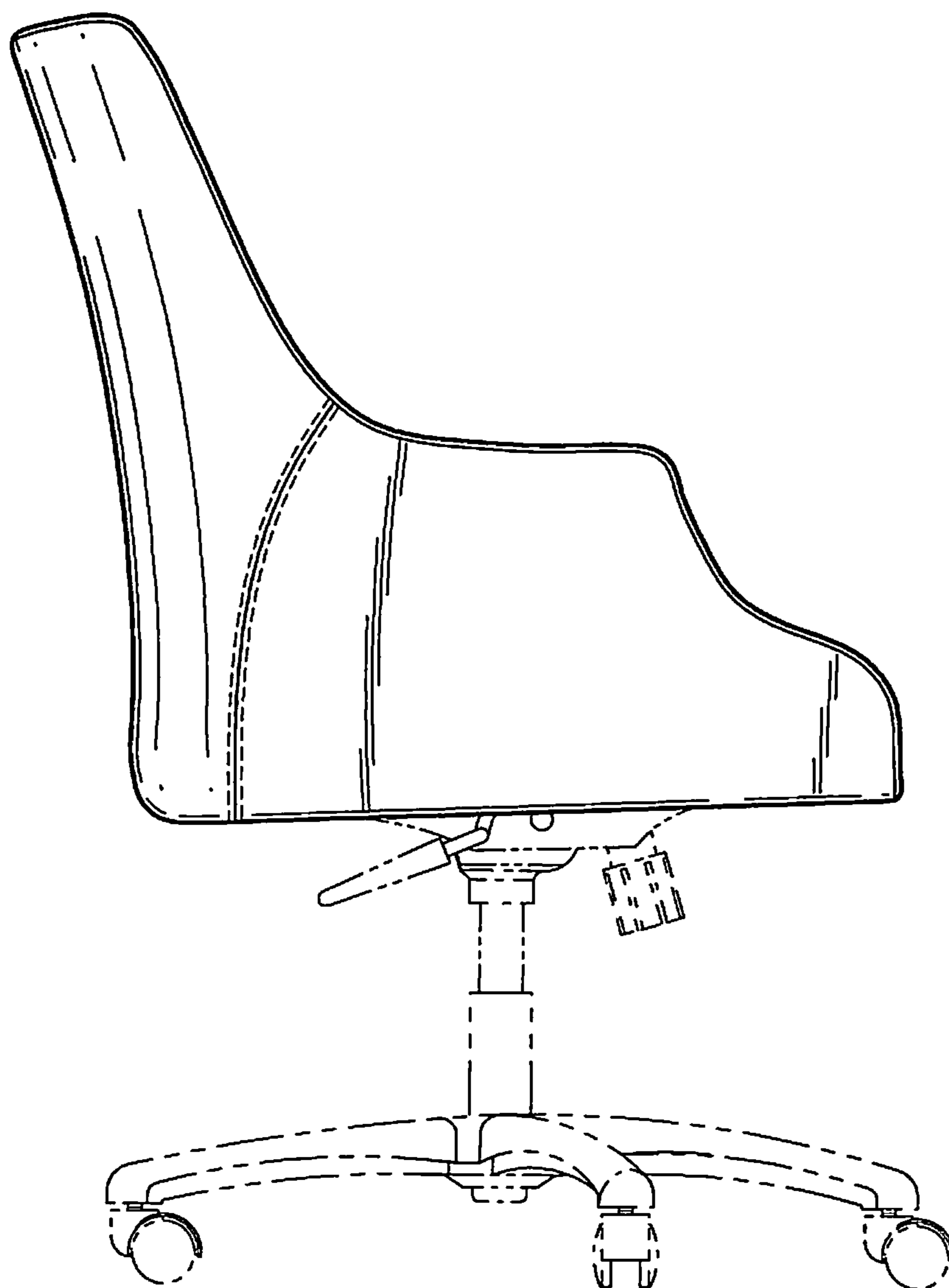
**FIG. 1**



**FIG. 2**

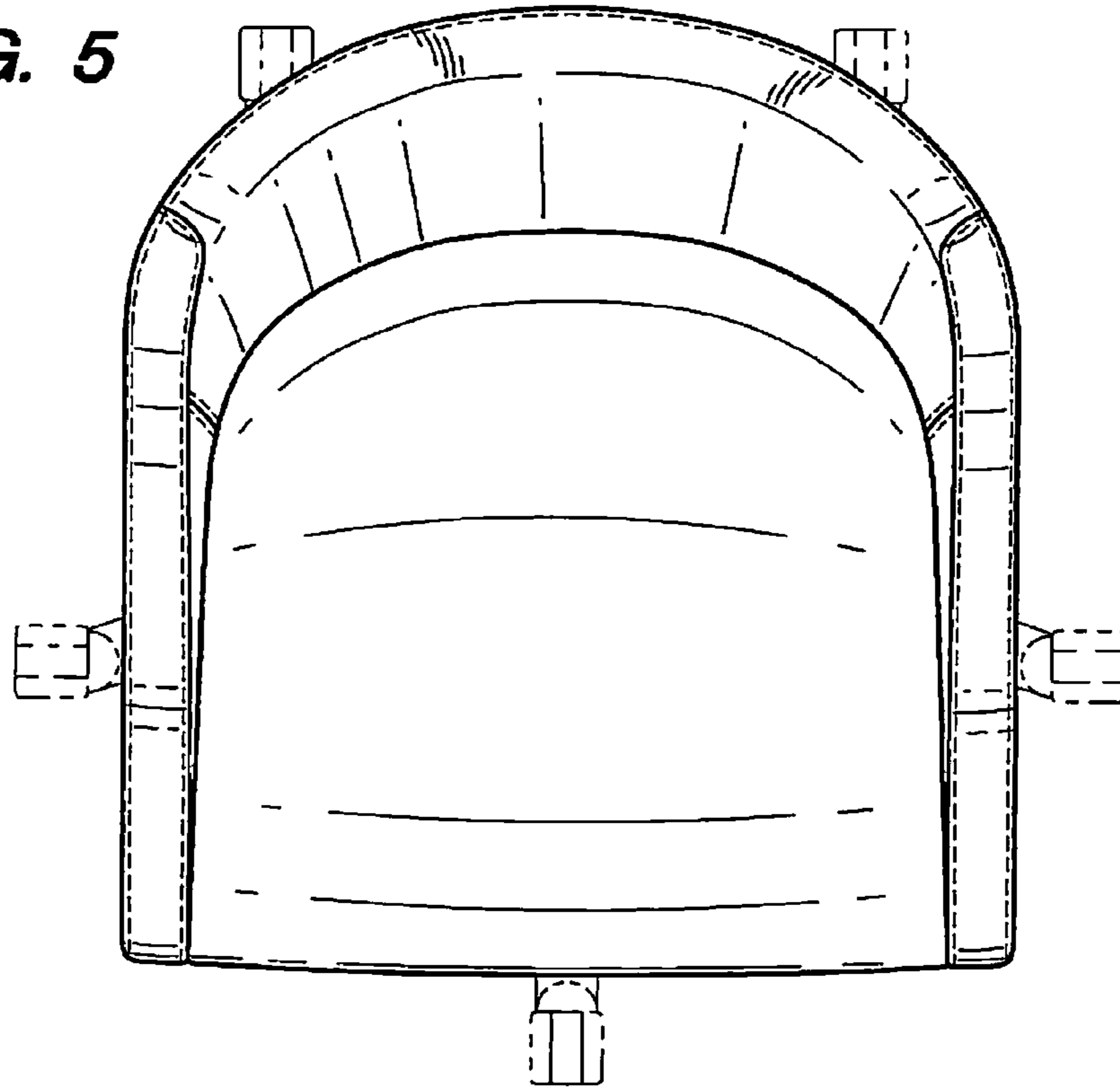


**FIG. 3**



**FIG. 4**

**FIG. 5**



**FIG. 6**

