



US00D730098S

(12) **United States Design Patent**
Kubryk

(10) **Patent No.:** **US D730,098 S**

(45) **Date of Patent:** **** May 26, 2015**

(54) **TASK CHAIR**

(71) Applicant: **Isaac Kubryk**, Lockeford, CA (US)

(72) Inventor: **Isaac Kubryk**, Lockeford, CA (US)

(73) Assignee: **Global Allies**, Lockeford, CA (US)

(**) Term: **14 Years**

(21) Appl. No.: **29/485,386**

(22) Filed: **Mar. 18, 2014**

(51) **LOC (10) Cl.** **06-01**

(52) **U.S. Cl.**
USPC **D6/716**

(58) **Field of Classification Search**
CPC A47C 4/02; A47C 4/03; A47C 7/18;
A47C 3/12; A47C 5/12; A47C 7/54
USPC D6/334-336, 364, 365, 366, 371-375,
D6/379, 380, 716, 716.1, 716.2, 716.4
See application file for complete search history.

(56) **References Cited**

U.S. PATENT DOCUMENTS

3,408,106	A *	10/1968	Bolling et al.	A47C 5/12
3,521,929	A *	7/1970	Pearson	A47C 7/18
3,564,700	A *	2/1971	Binek	A47C 3/12
3,565,486	A *	2/1971	Channon	A47C 3/12
D233,809	S *	12/1974	Platner	D6/366

D236,302	S *	8/1975	Prizlow	D6/366
D281,840	S *	12/1985	Ogg	D6/366
D288,388	S *	2/1987	Ochsner	D6/366
D603,177	S *	11/2009	Kubryk	D6/366
D648,158	S	11/2011	Kubryk		
D660,054	S *	5/2012	Kane	D6/716
D660,055	S *	5/2012	Kane	D6/716
D664,381	S *	7/2012	Kubryk	D6/716
D683,171	S	5/2013	Kubryk		
D683,570	S	6/2013	Kubryk		

* cited by examiner

Primary Examiner — Mimoso De

(74) *Attorney, Agent, or Firm* — Audrey A. Millemann;
Weintraub Tobin

(57) **CLAIM**

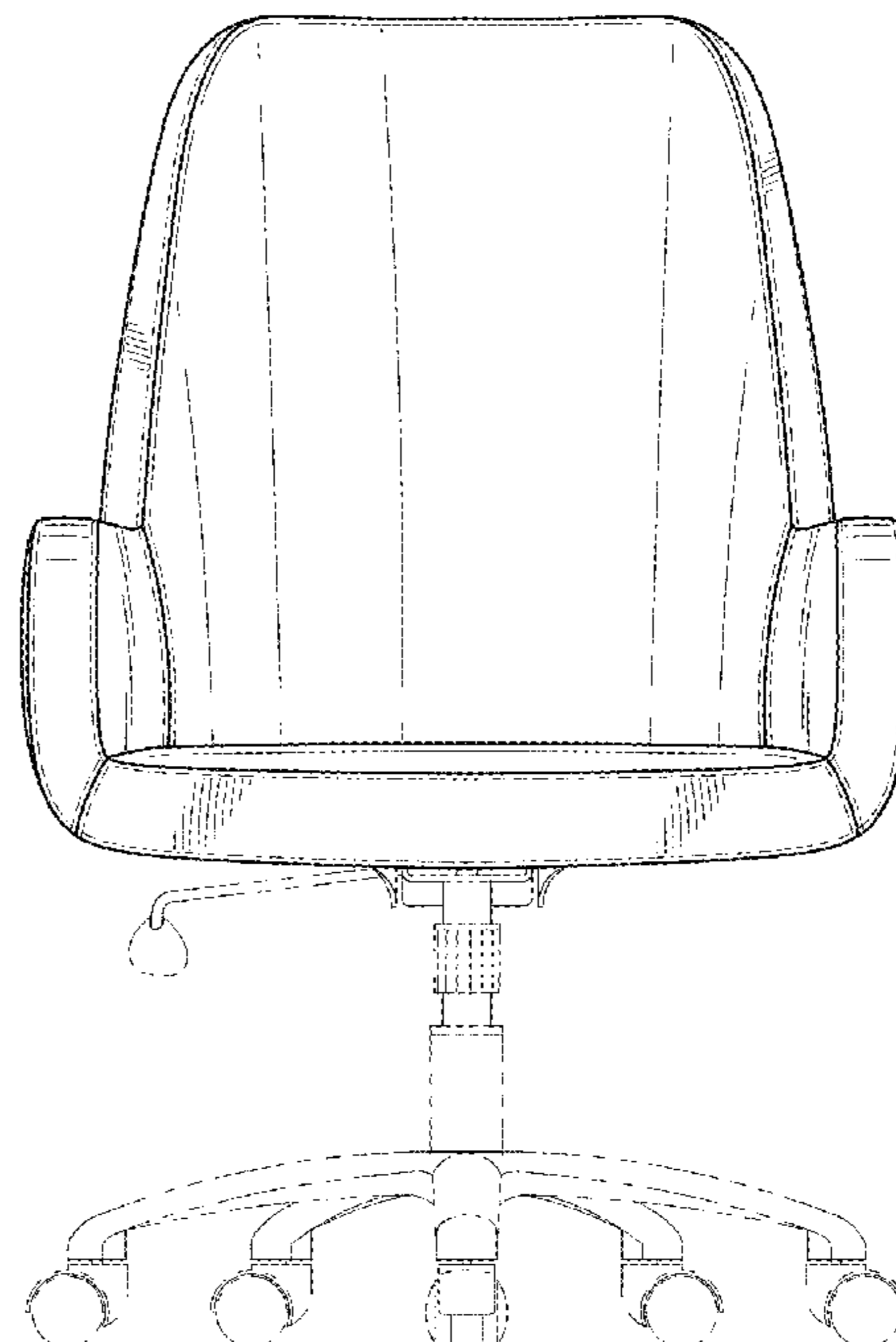
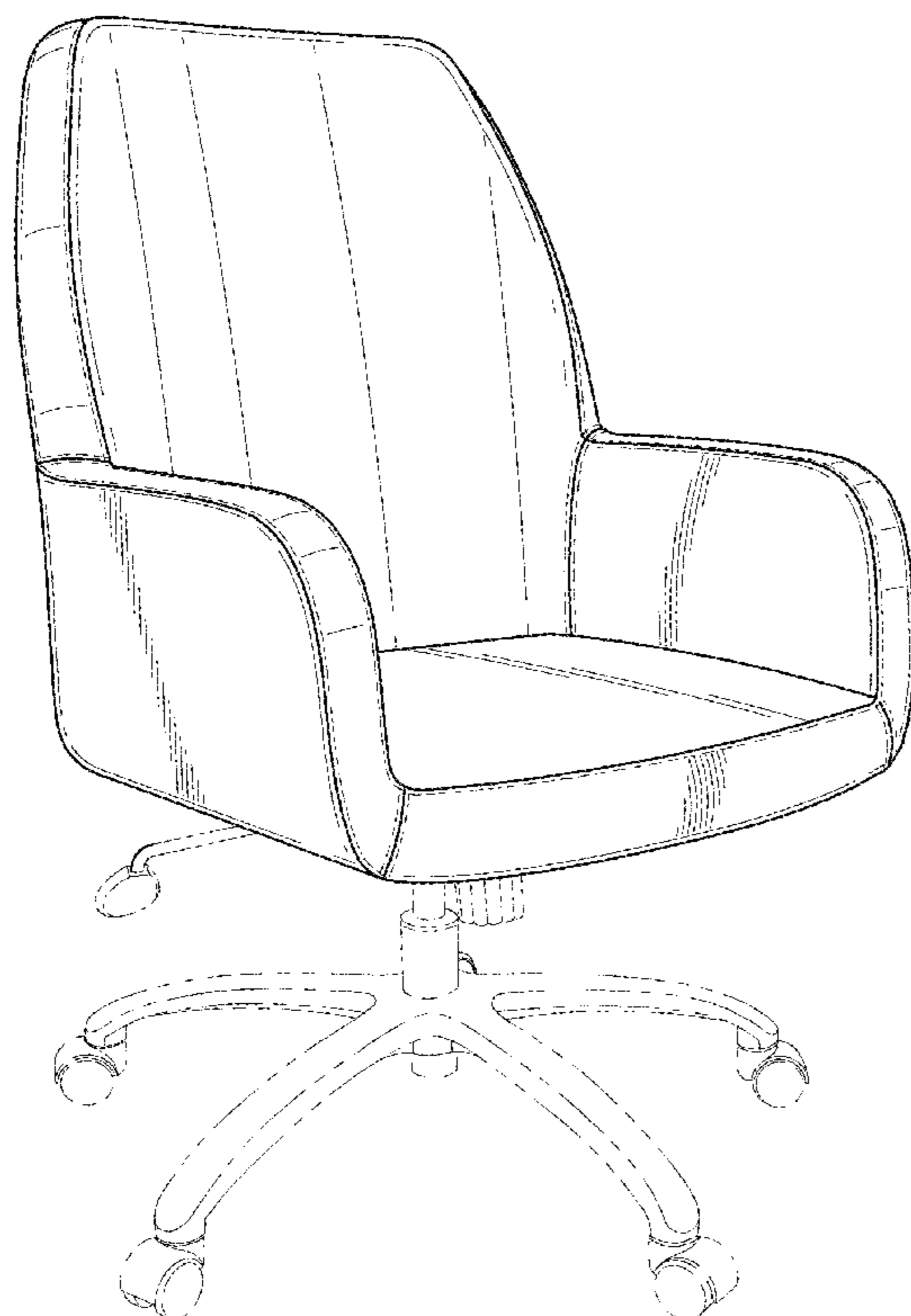
The ornamental design for a task chair, as shown and described.

DESCRIPTION

FIG. 1 is a perspective view of a task chair, looking toward the right front corner, showing my new design;
FIG. 2 is a front view thereof;
FIG. 3 is a right side view thereof;
FIG. 4 is a back view thereof;
FIG. 5 is a top view thereof; and,
FIG. 6 is a bottom view thereof.

The broken lines shown in the drawing are for illustrative purposes only and form no part of the claimed design.

1 Claim, 5 Drawing Sheets



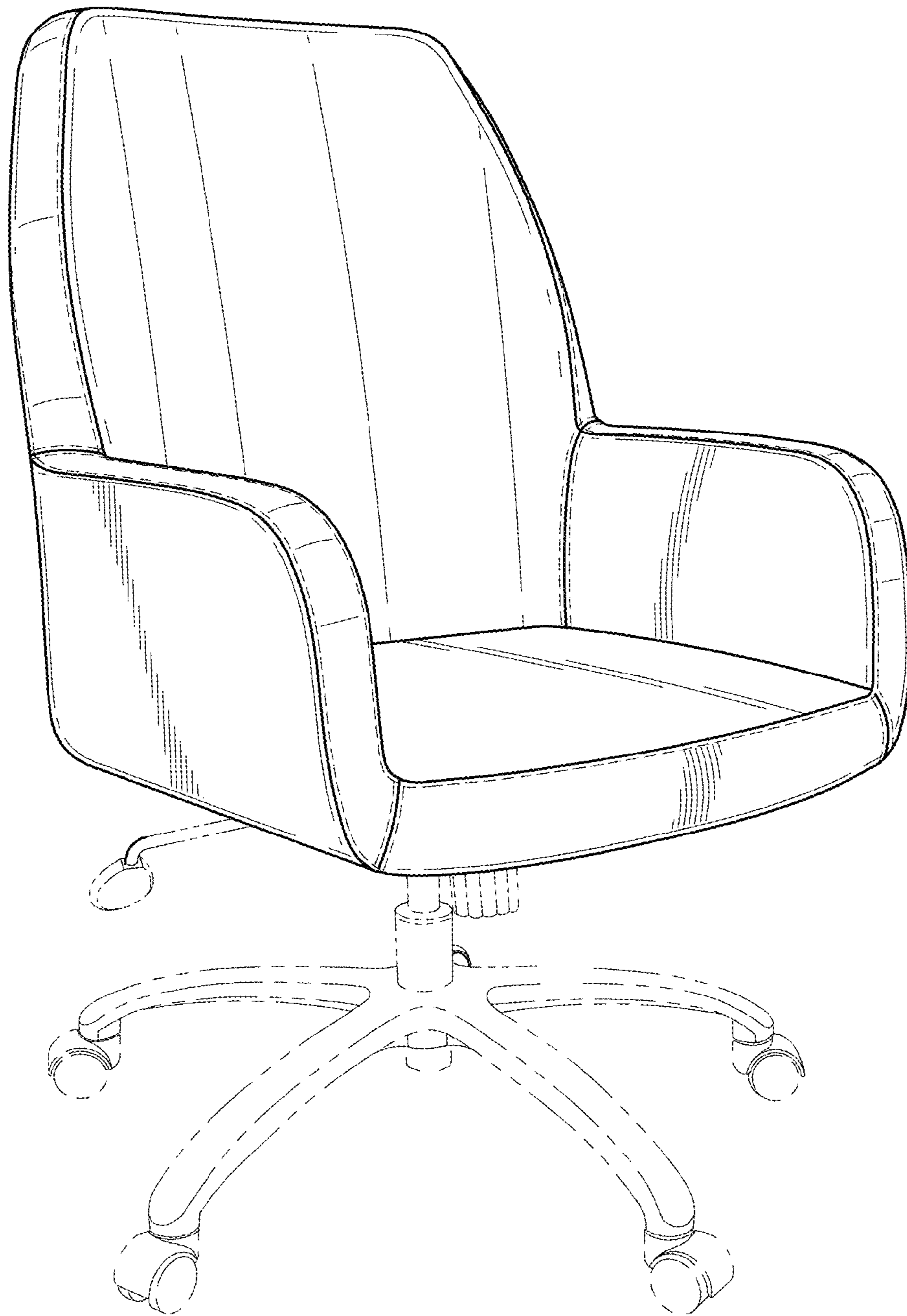


FIG. 1

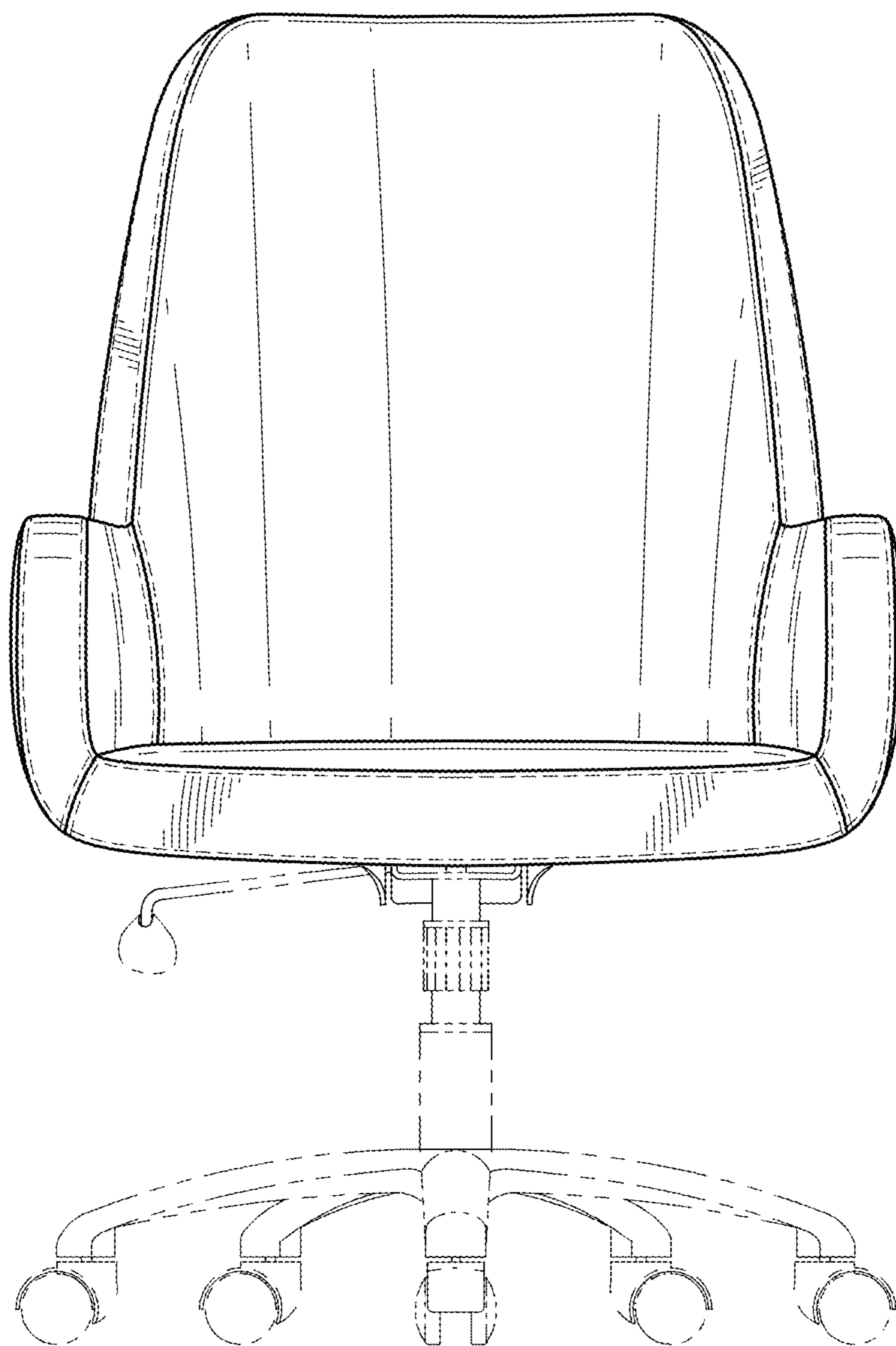


FIG. 2

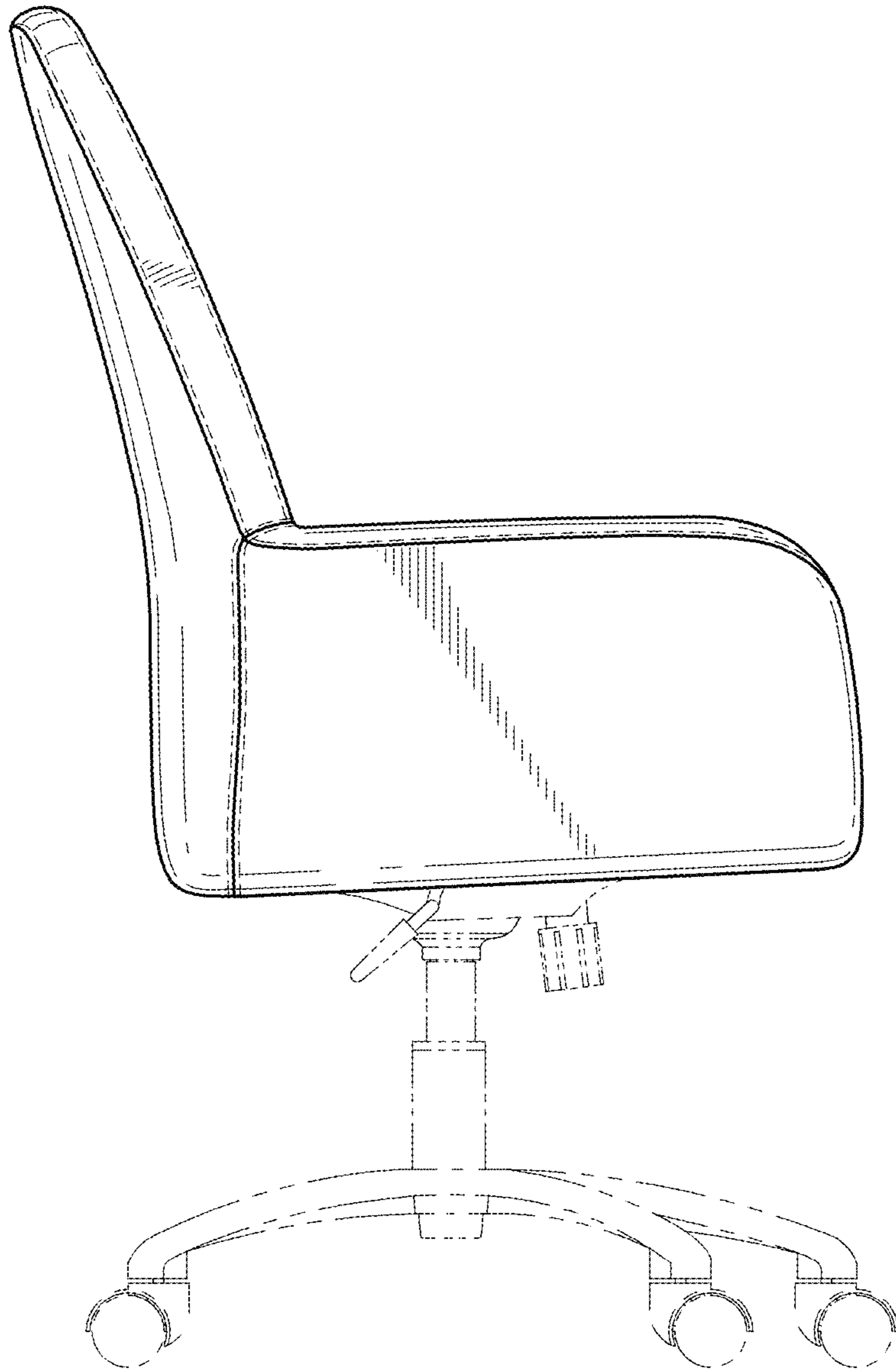


FIG. 3

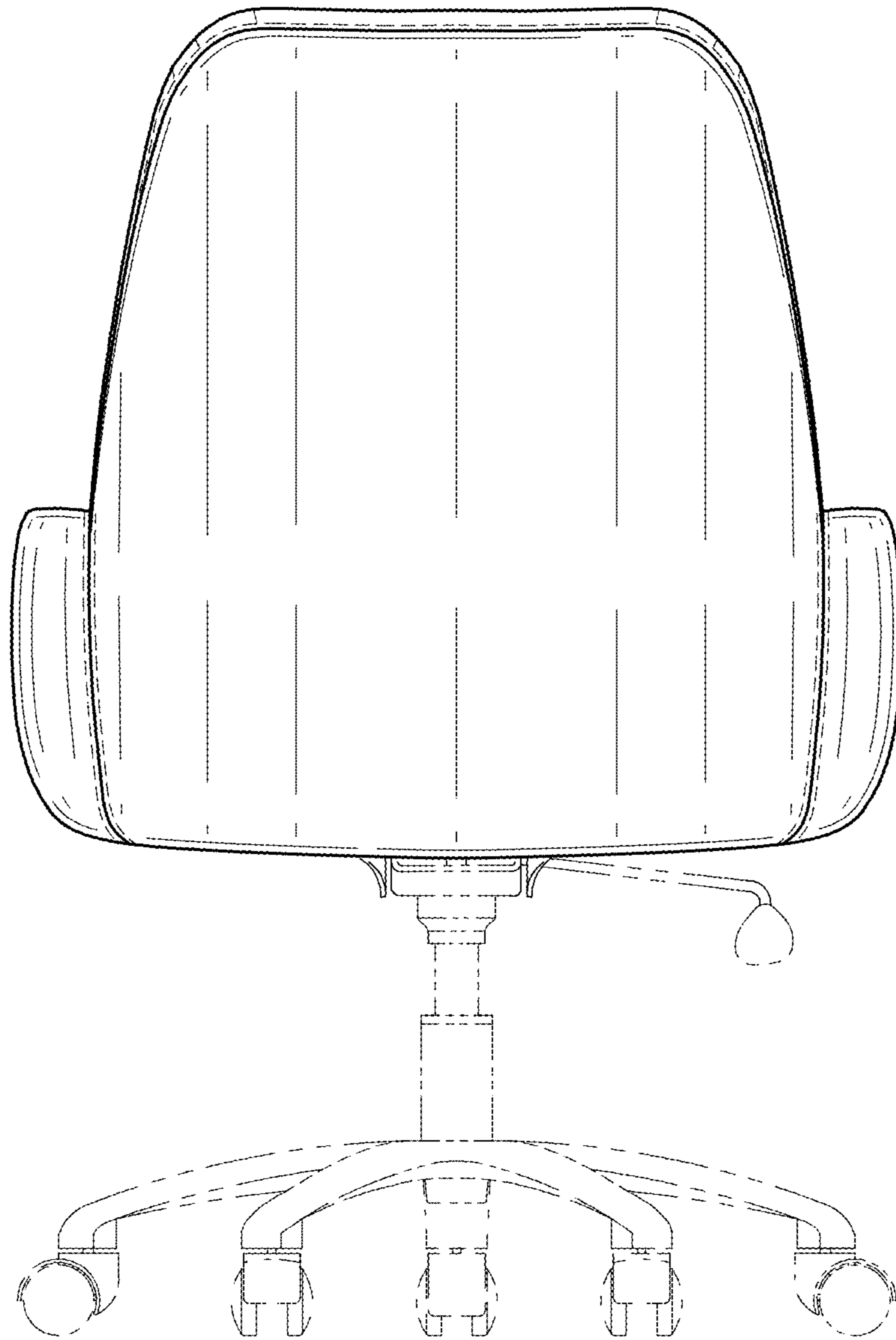


FIG. 4

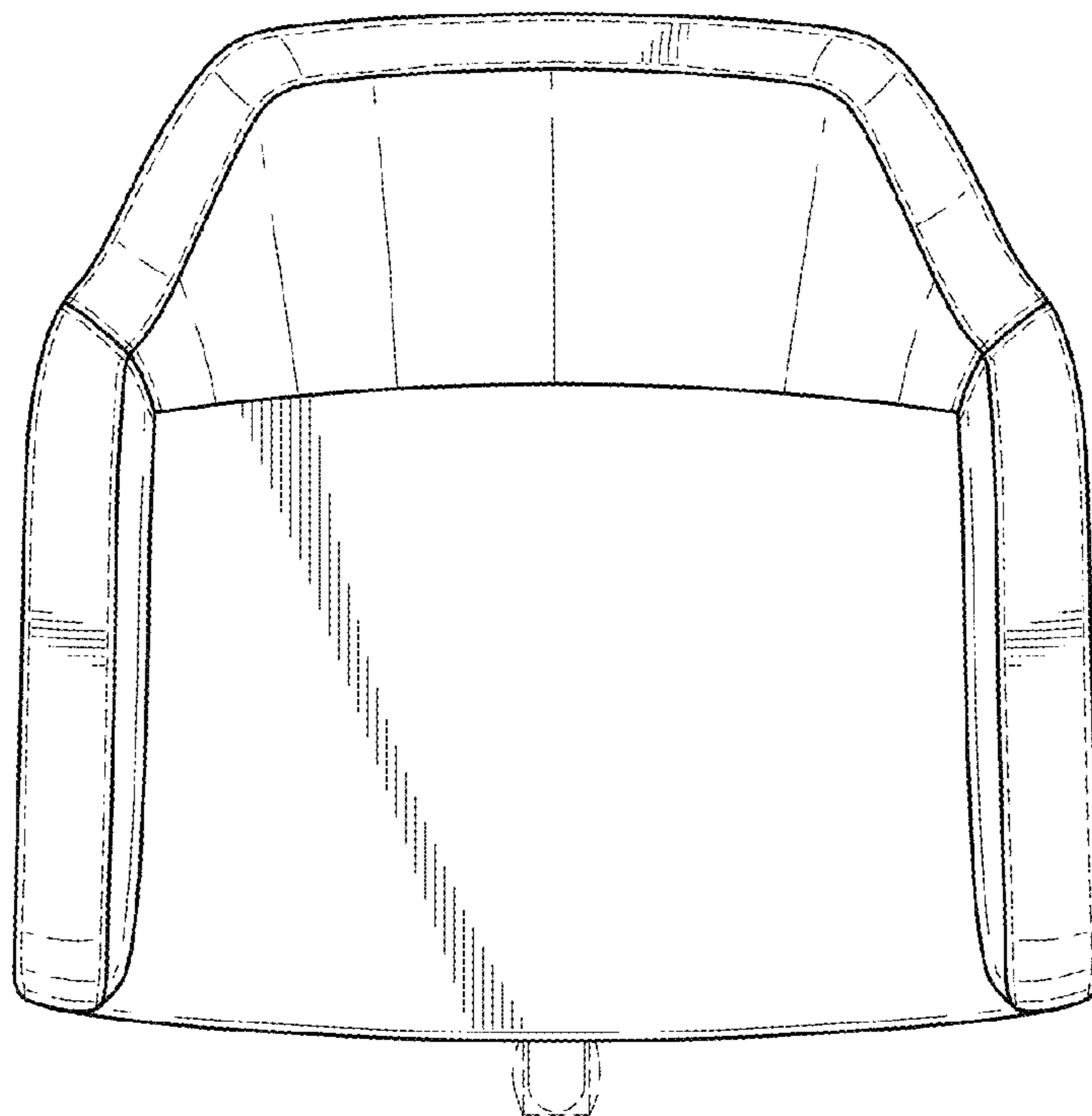


FIG. 5

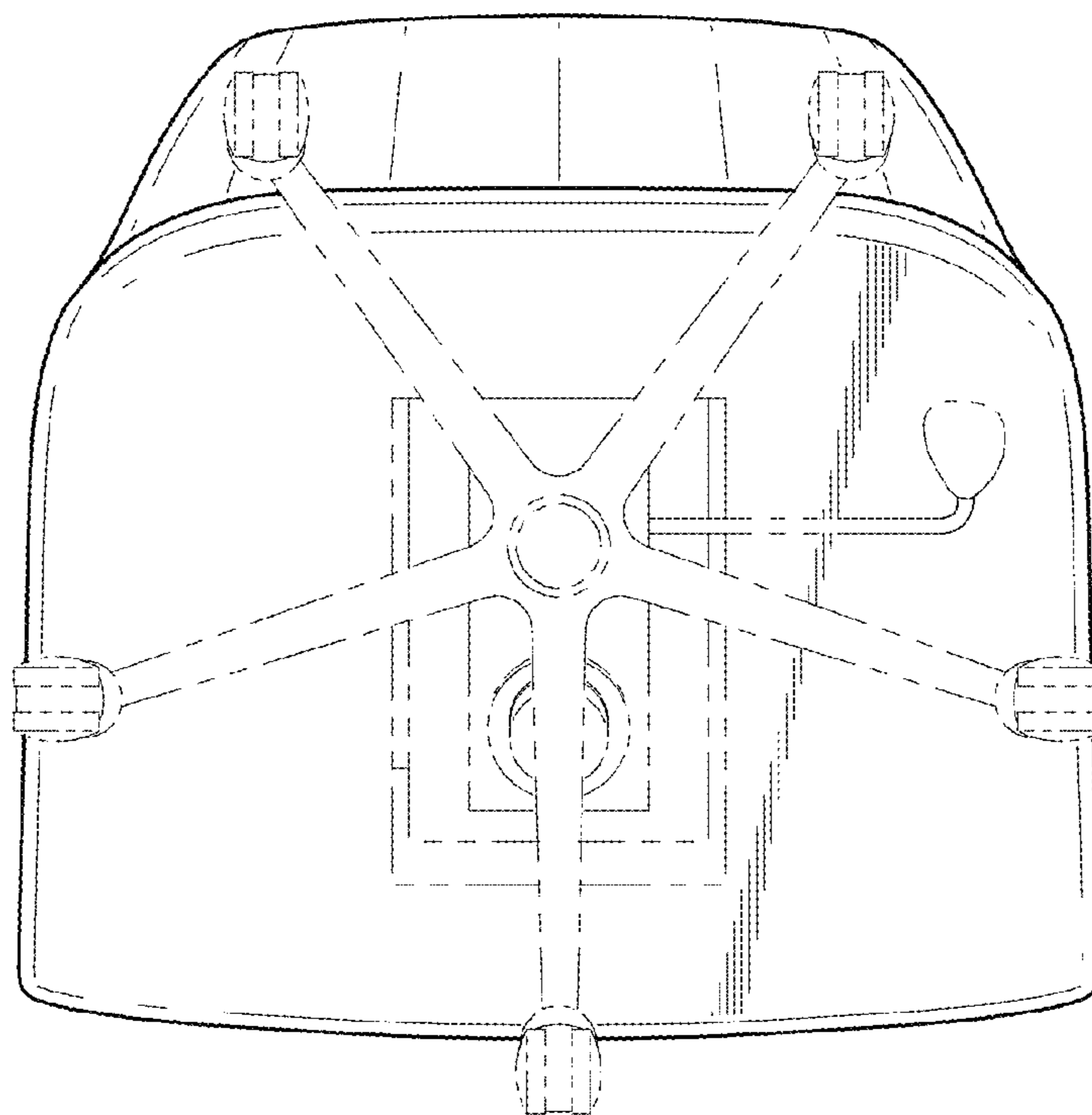


FIG. 6