



US00D730097S

(12) **United States Design Patent**  
**Kubryk**

(10) **Patent No.:** **US D730,097 S**  
(45) **Date of Patent:** **\*\* May 26, 2015**

- (54) **TASK CHAIR**
- (71) Applicant: **Isaac Kubryk**, Lockeford, CA (US)
- (72) Inventor: **Isaac Kubryk**, Lockeford, CA (US)
- (73) Assignee: **Global Allies**, Lockeford, CA (US)
- (\*\*) Term: **14 Years**
- (21) Appl. No.: **29/481,892**
- (22) Filed: **Feb. 11, 2014**
- (51) **LOC (10) Cl.** ..... **06-01**
- (52) **U.S. Cl.**  
USPC ..... **D6/716**
- (58) **Field of Classification Search**  
CPC ..... A47C 4/02; A47C 4/03; A47C 5/12;  
A47C 3/12; B60N 2/686  
USPC ..... D6/334-336, 366, 371-374, 375, 376,  
D6/379, 380, 716, 716.1, 716.2, 716.3,  
D6/716.4  
See application file for complete search history.

D562,019 S *	2/2008	Lievore .....	D6/366
D585,655 S *	2/2009	Pearson et al. ....	D6/366
D609,037 S *	2/2010	Miller et al. ....	D6/716
D614,415 S *	4/2010	Konno .....	D6/366
D620,722 S *	8/2010	Adams .....	D6/366
D648,553 S *	11/2011	Wilson et al. ....	D6/366
D657,583 S *	4/2012	Wilson et al. ....	D6/366

**OTHER PUBLICATIONS**

U.S. Appl. No. 29/482,266, Kubryk.  
U.S. Appl. No. 29/482,273, Kubryk.

\* cited by examiner

*Primary Examiner* — Mimoso De

(74) *Attorney, Agent, or Firm* — Audrey A. Millemann;  
Weintraub Tobin

(57) **CLAIM**

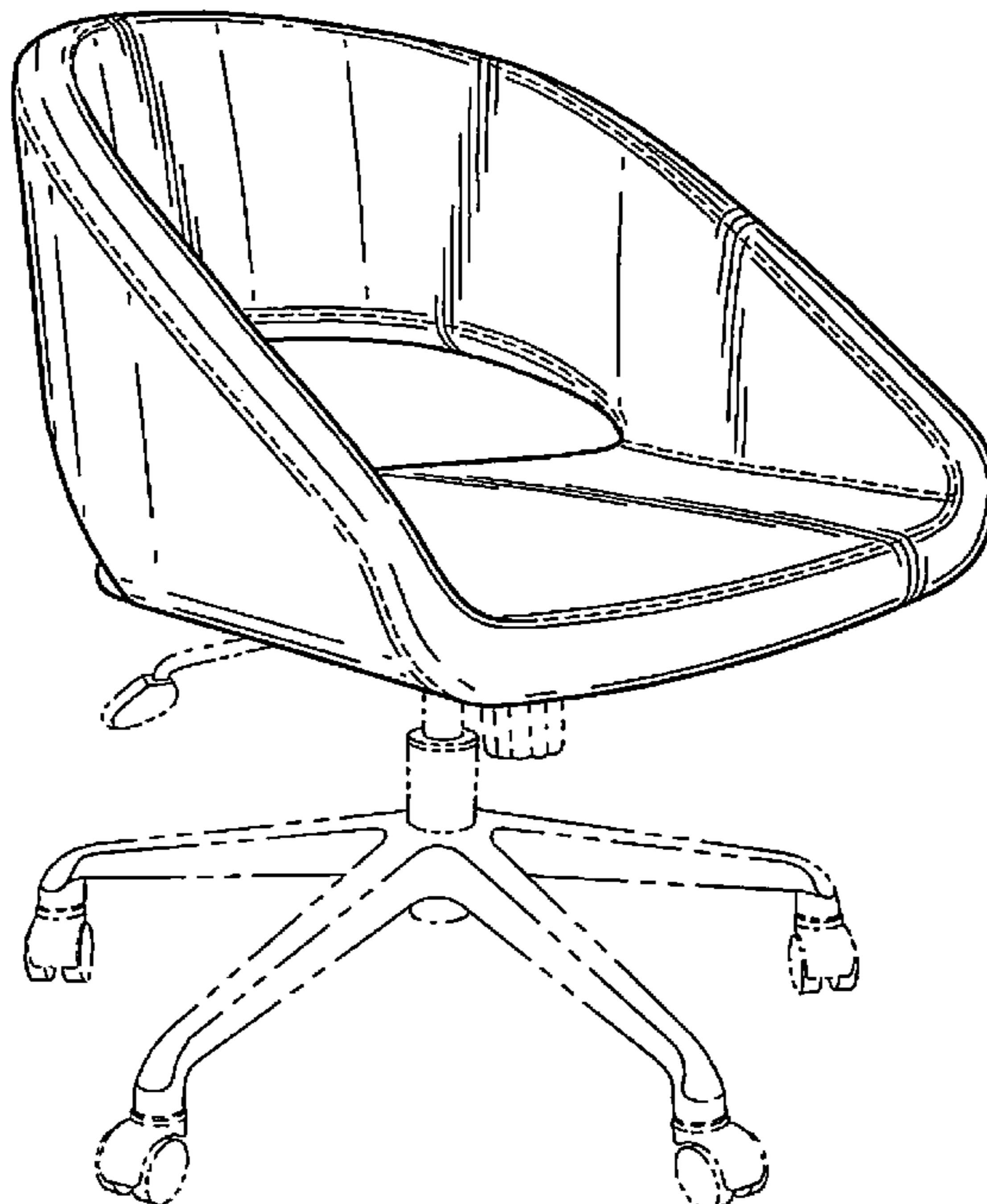
The ornamental design for a task chair, as shown and described.

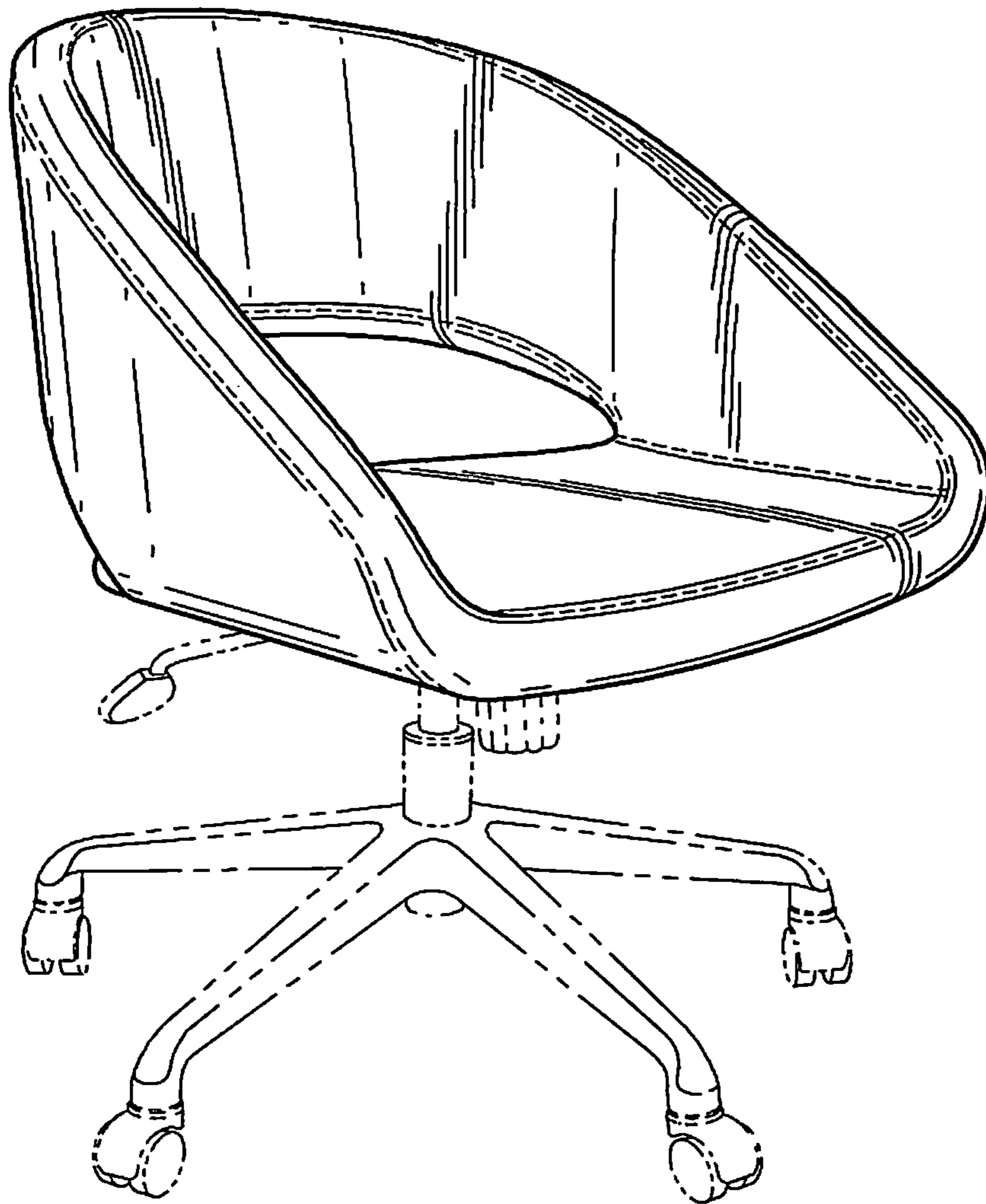
**DESCRIPTION**

FIG. 1 is a perspective view of a task chair, looking toward the right front corner, showing my new design;  
FIG. 2 is a front view thereof;  
FIG. 3 is a right side view thereof;  
FIG. 4 is a back view thereof;  
FIG. 5 is a top view thereof; and,  
FIG. 6 is a bottom view thereof.  
The broken lines shown in the drawing are for illustrative purposes only and form no part of the claimed design.

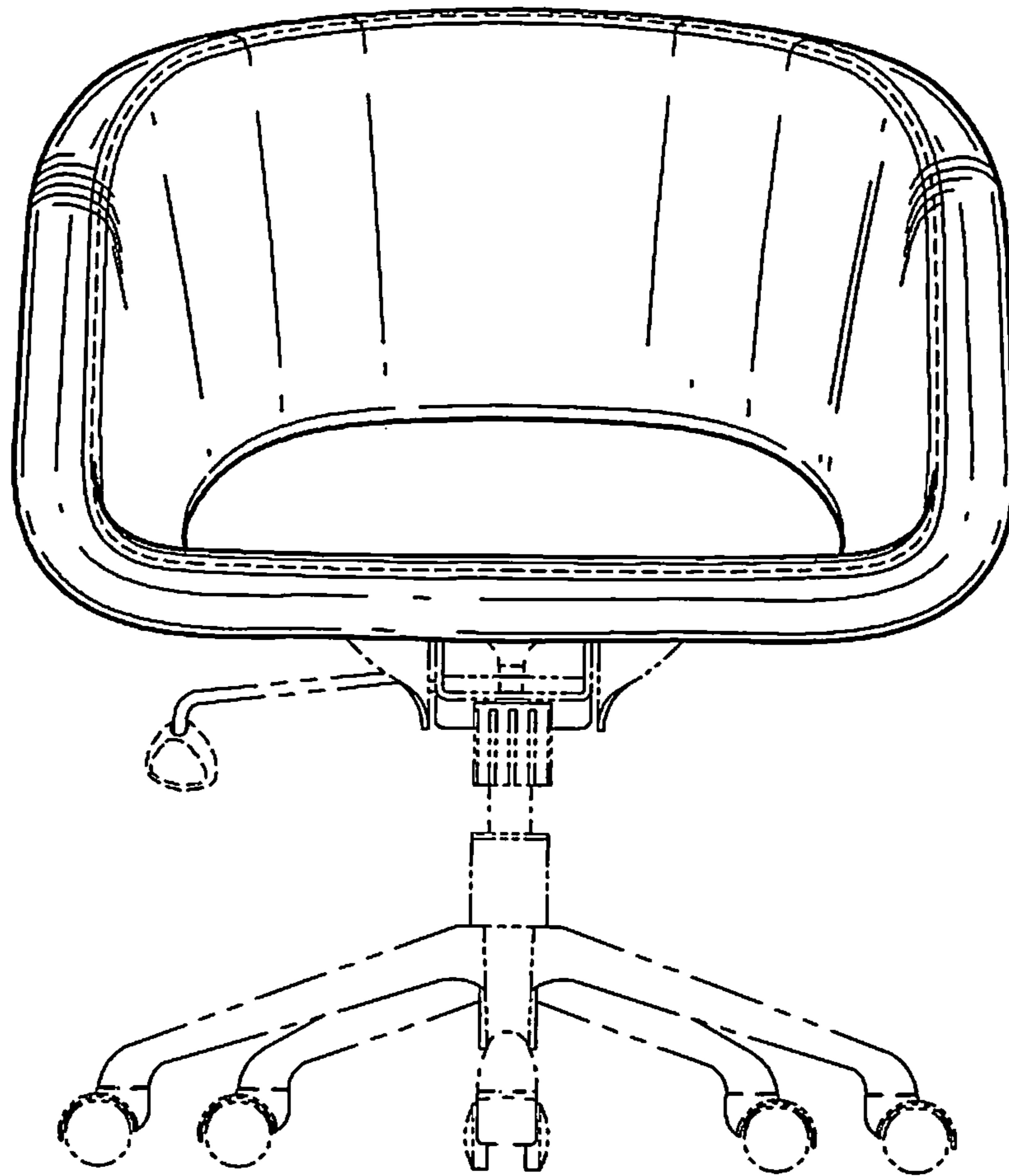
**1 Claim, 5 Drawing Sheets**

- (56) **References Cited**  
U.S. PATENT DOCUMENTS  
3,142,514 A \* 7/1964 Ginat ..... A47C 3/12  
D207,840 S \* 6/1967 Rodrigo ..... D6/375  
D358,514 S \* 5/1995 Lovegrove ..... D6/716  
D442,378 S \* 5/2001 Arad ..... D6/366  
D465,360 S \* 11/2002 Ratza et al. .... D6/716  
D503,865 S \* 4/2005 Eldoy ..... D6/716

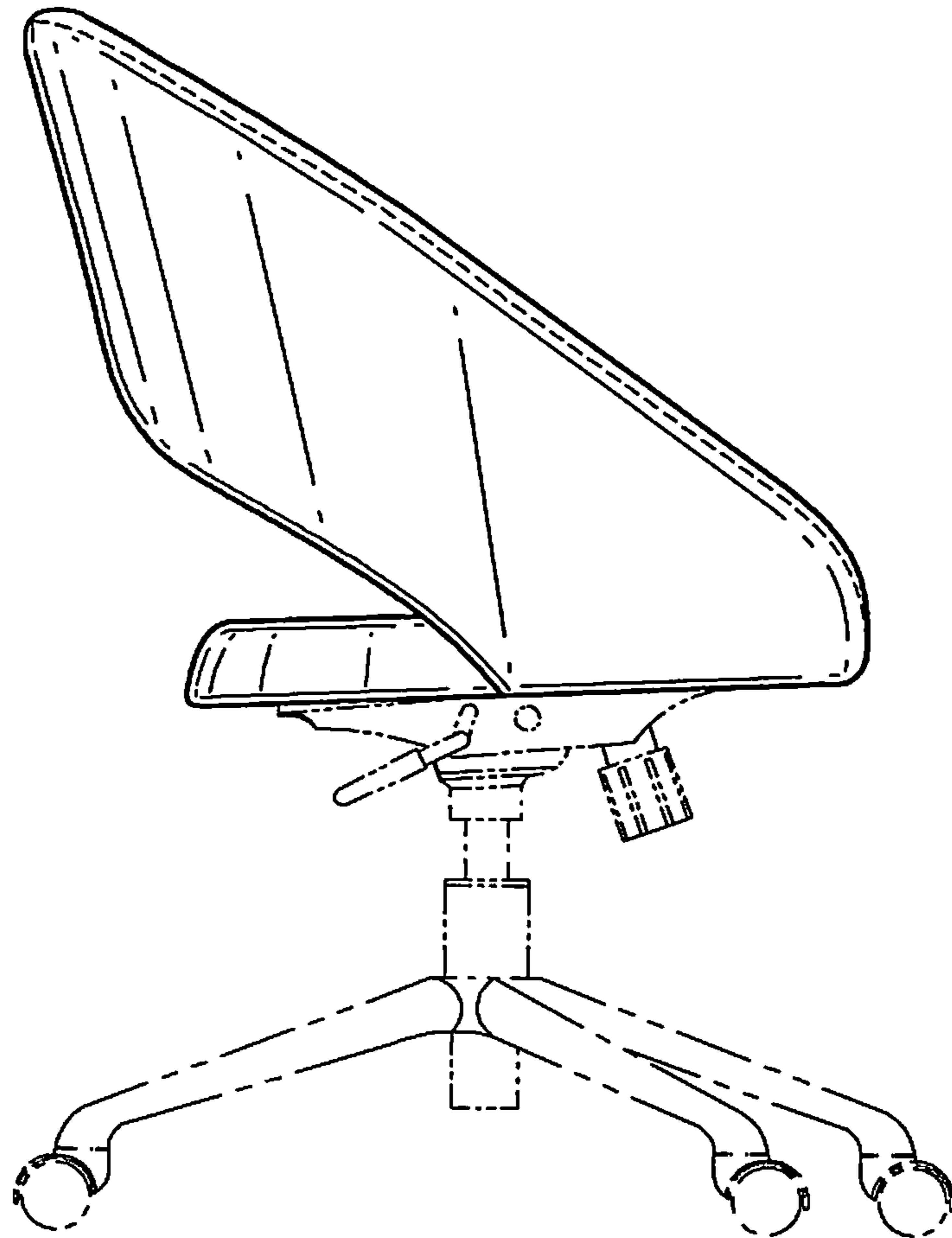




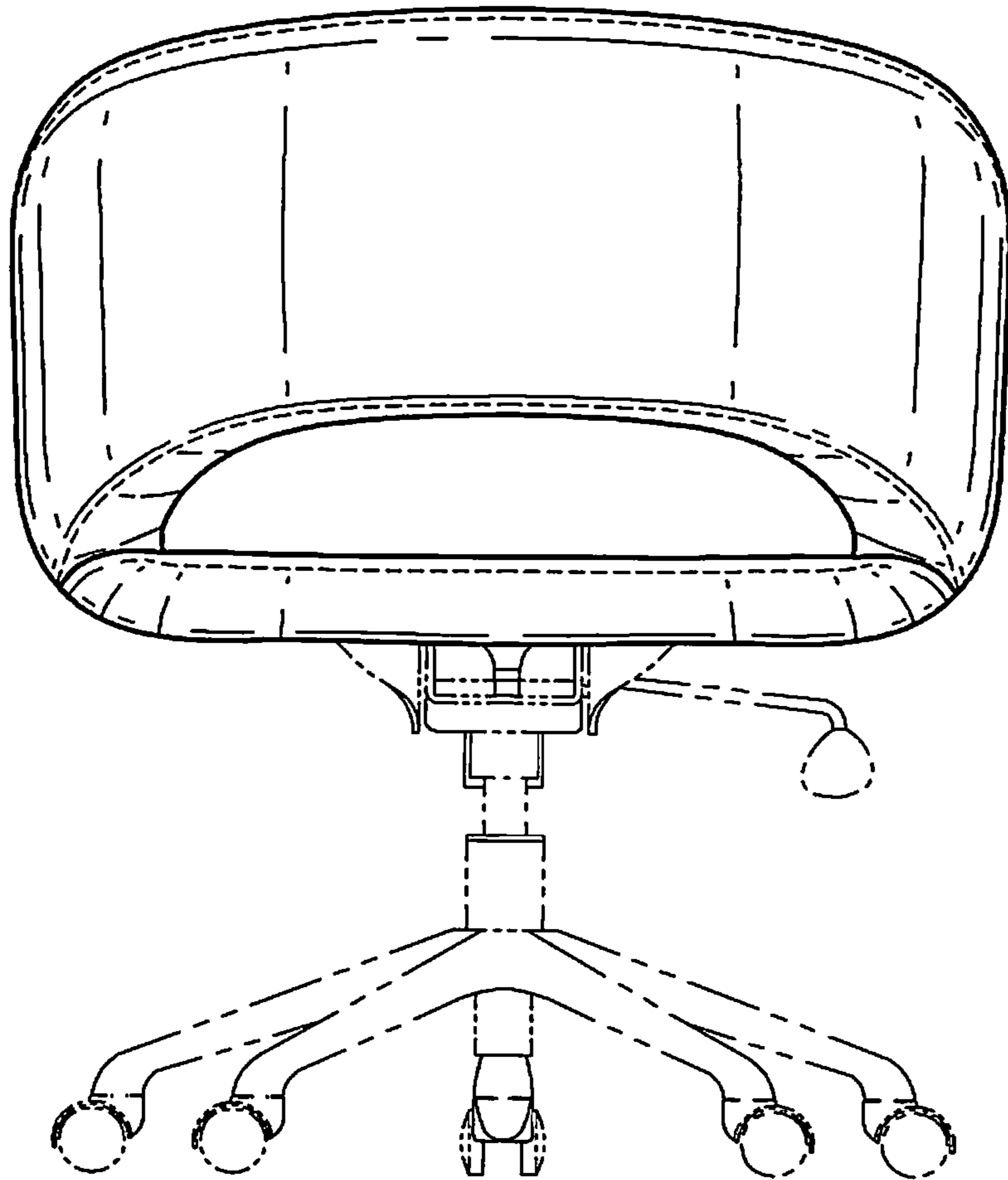
**FIG. 1**



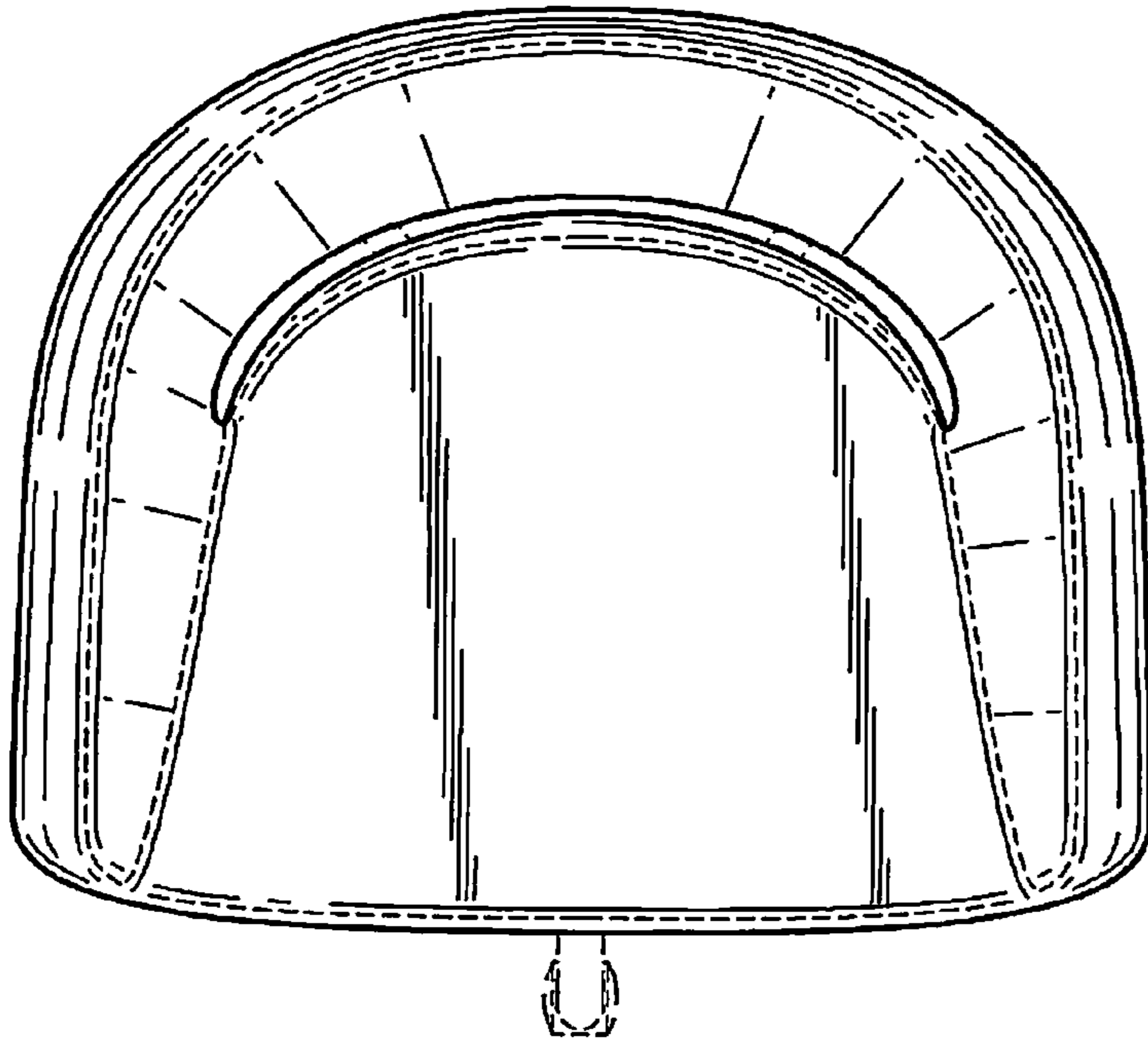
**FIG. 2**



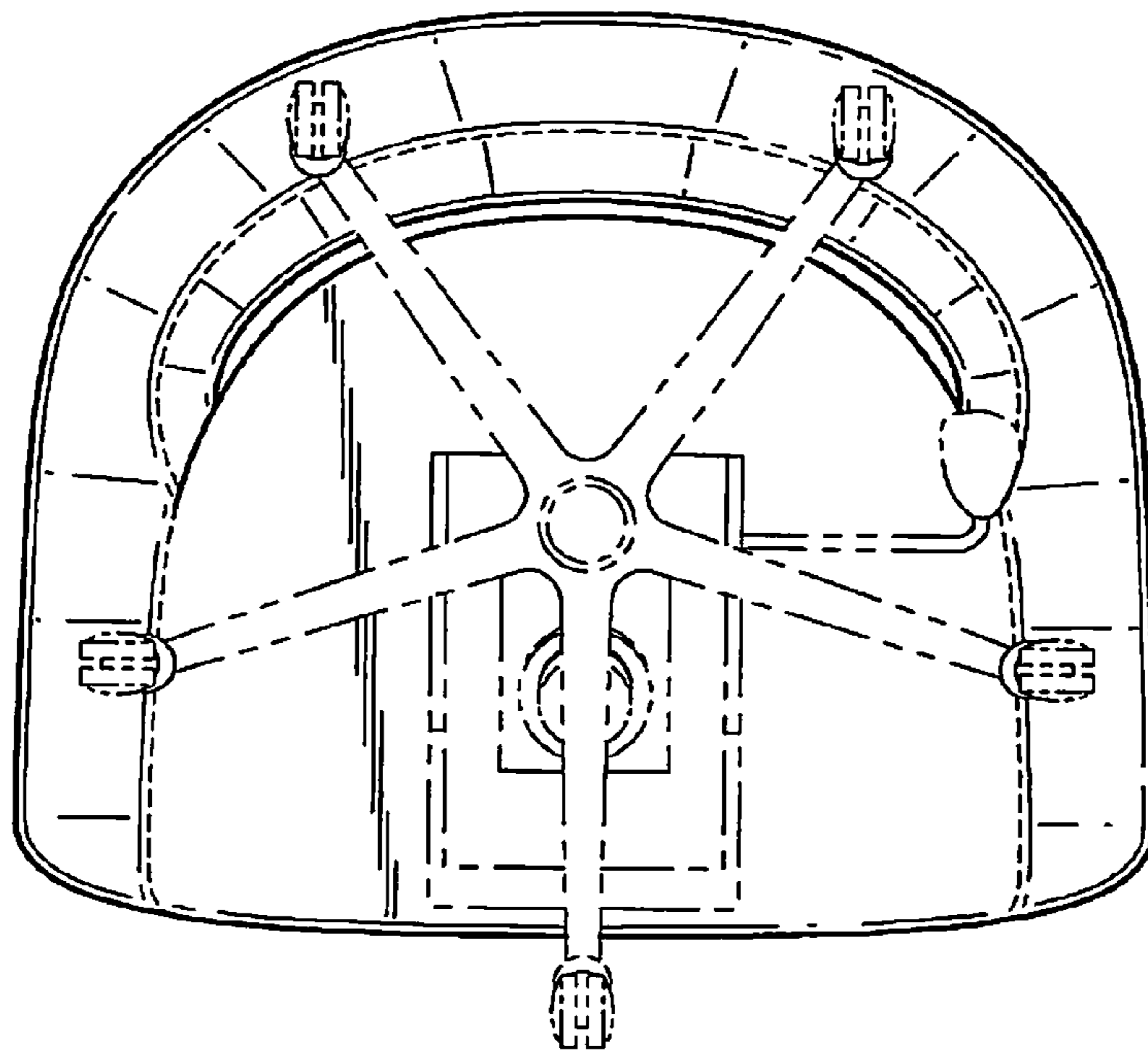
**FIG. 3**



**FIG. 4**



**FIG. 5**



**FIG. 6**